



US00D423873S

United States Patent [19]

[11] Patent Number: Des. 423,873

Lacy et al.

[45] Date of Patent: ** May 2, 2000

[54] CONTAINER DIVIDER

4,966,295 10/1990 Parrish 220/576

[75] Inventors: Sun Lacy; Kent Shaeffer, both of Newark; Richard Cowdrey, Gambier, all of Ohio

Primary Examiner—M. N. Pandozzi
Attorney, Agent, or Firm—Porter, Wright, Morris & Arthur LLP

[73] Assignee: The Longaberger Company, Newark, Ohio

[57] CLAIM

[**] Term: 14 Years

The ornamental design for container divider, as shown and described.

[21] Appl. No.: 29/103,831

DESCRIPTION

[22] Filed: Apr. 22, 1999

FIG. 1 is a perspective view of the container divider showing our new design;

[51] LOC (7) Cl. 07-99

FIG. 2 is a front view thereof;

[52] U.S. Cl. D7/396.1; D7/556; D7/551.3

FIG. 3 is a rear view thereof;

[58] Field of Search D7/396.1, 387, D7/231, 555, 389, 556, 397, 551.3; D9/310, 318, 455, 456; 220/22.3, 427, 23.83

FIG. 4 is a left side view thereof;

FIG. 5 is a right side view thereof;

FIG. 6 is a top view thereof;

FIG. 7 is a bottom view thereof;

[56] References Cited

U.S. PATENT DOCUMENTS

D. 68,539	10/1925	Montgomery	D9/318
D. 72,207	3/1927	Gollnik	D9/318
D. 189,980	3/1961	Link	D7/556
D. 190,187	4/1961	Gorzelnik	D7/556
D. 214,332	6/1969	Swett	D7/387
D. 269,933	8/1983	Daenen et al.	D7/396.1
D. 302,940	8/1989	Ferrero	D9/318
D. 395,377	6/1998	Wallays et al.	D7/396.1

FIG. 8 is a front view of a container divider showing a second embodiment of my new design, having an appearance identical to that of the first embodiment except for the absence of a base member; and,

FIG. 9 is an environmental perspective view of the container divider of FIG. 1.

The broken line showing of a container in FIG. 9 is for illustrative purposes only and forms no part of the claimed design.

1 Claim, 5 Drawing Sheets

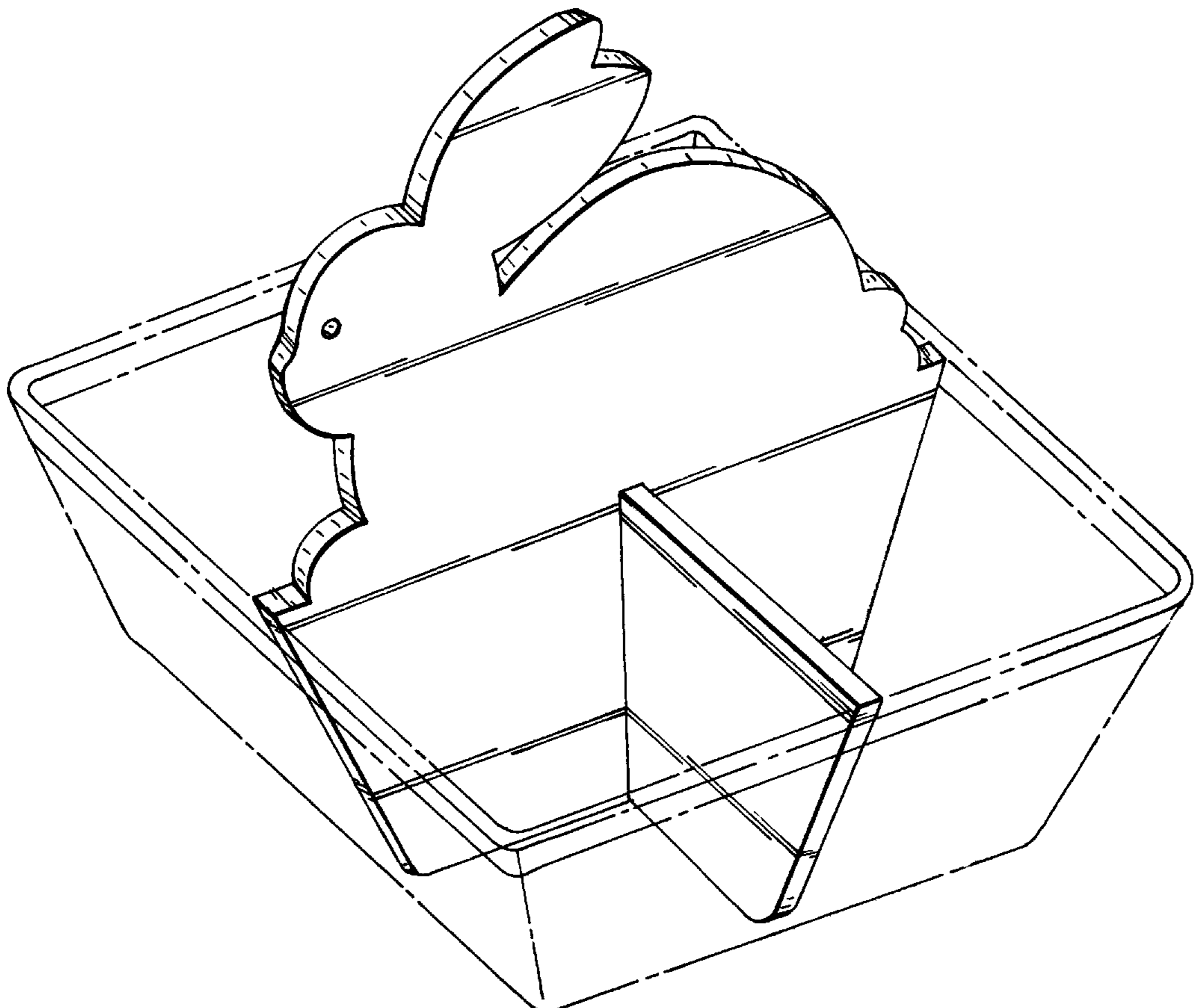


Fig. 1

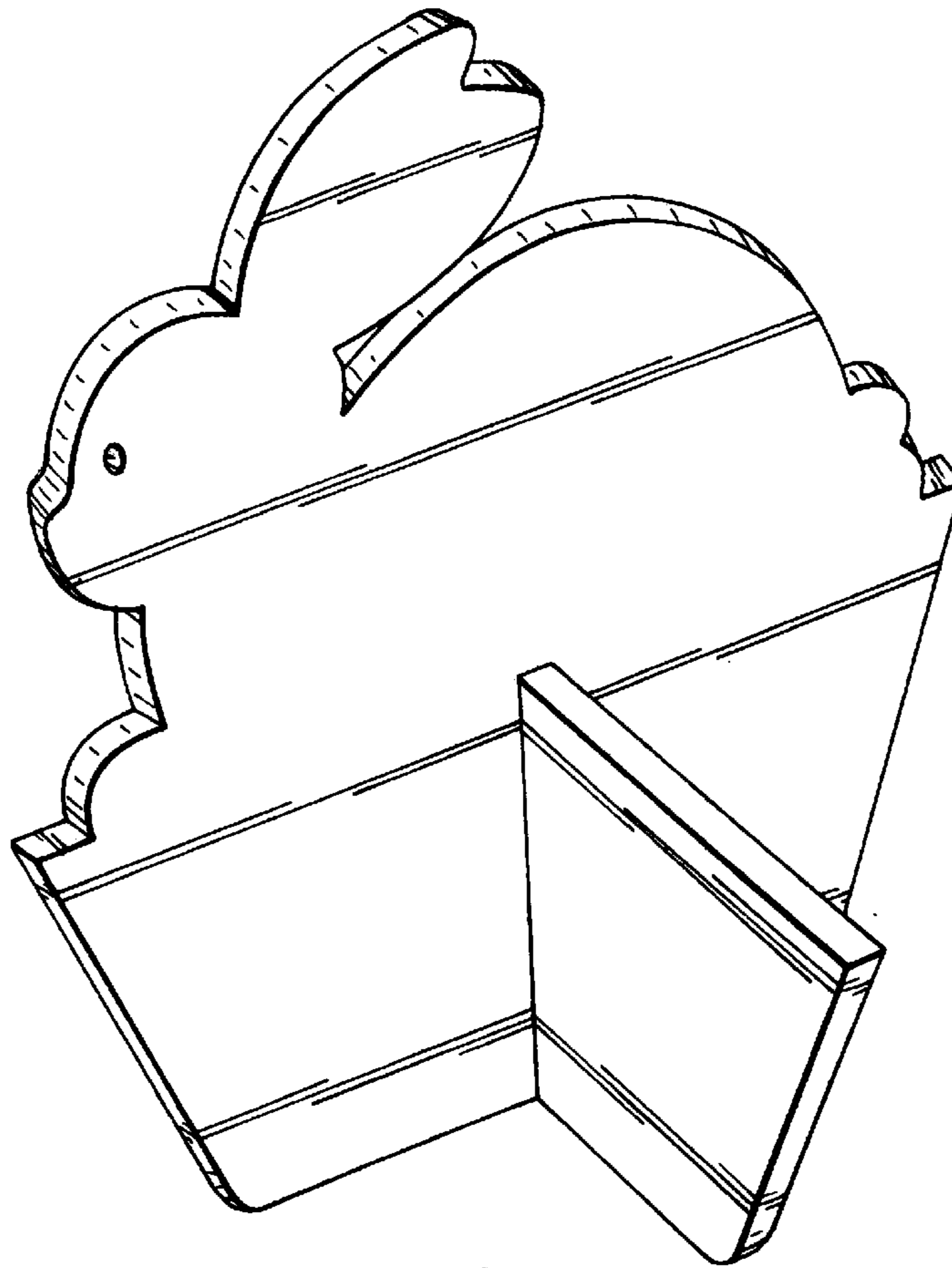


Fig. 2

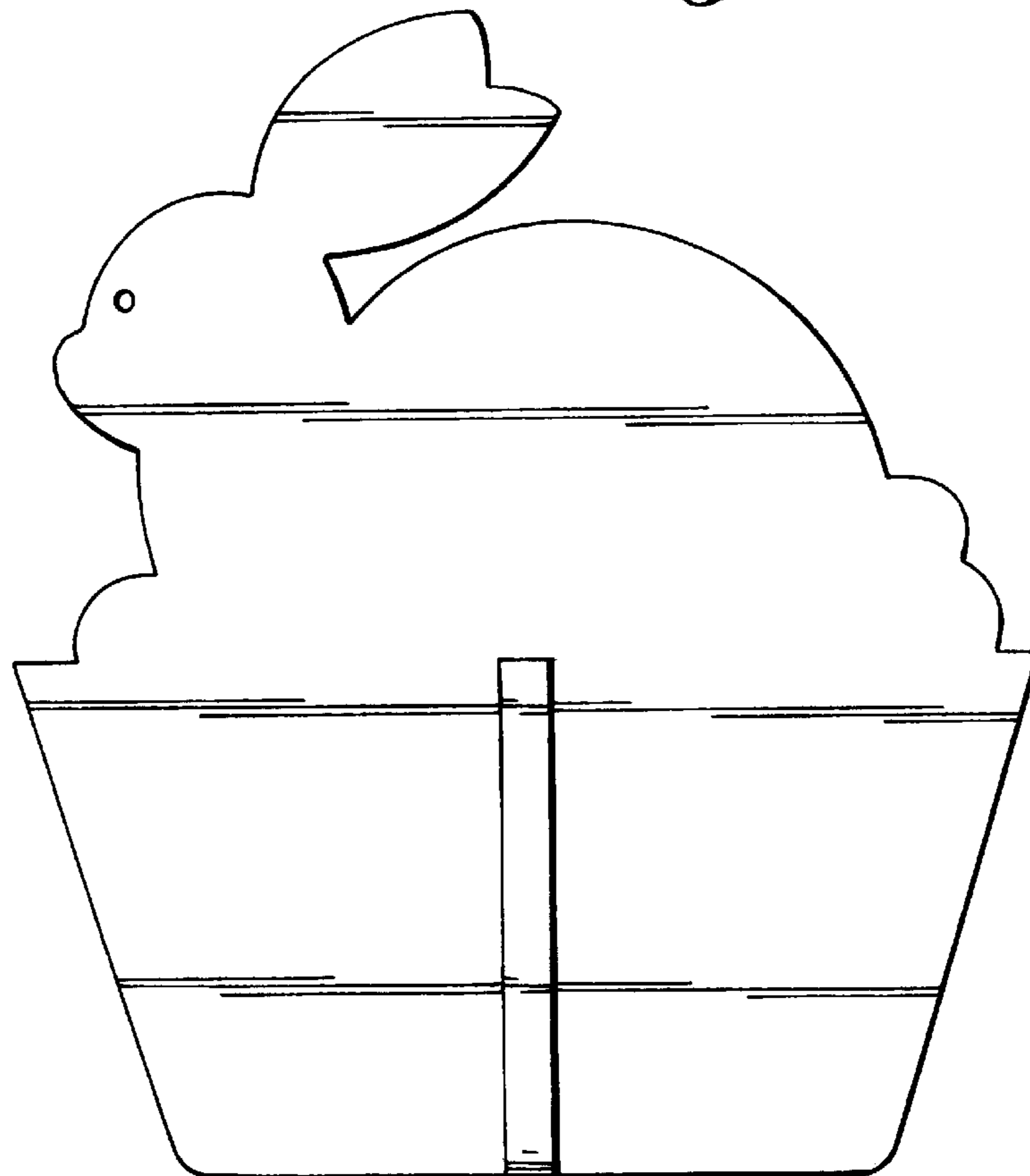


Fig. 3

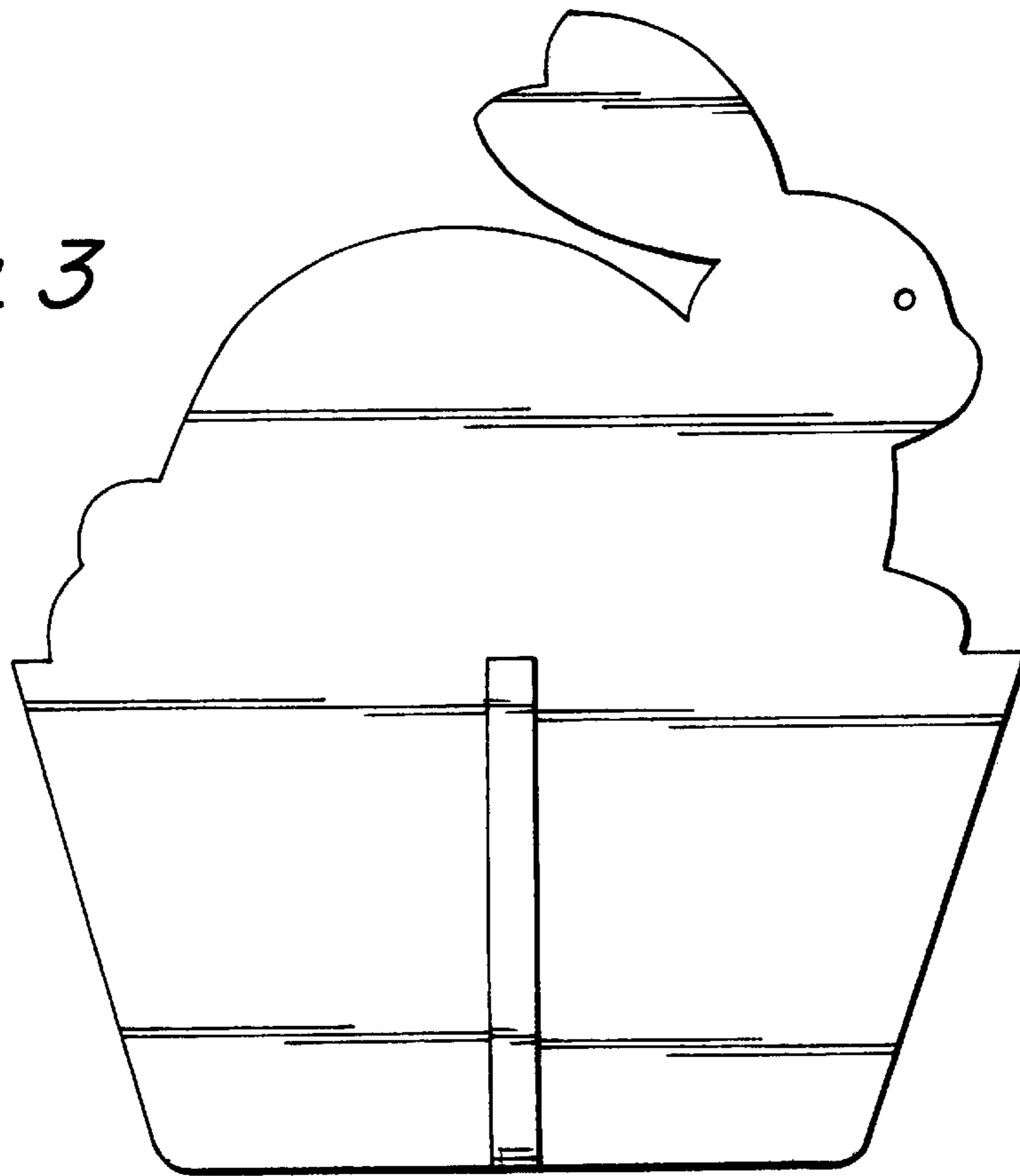


Fig. 4

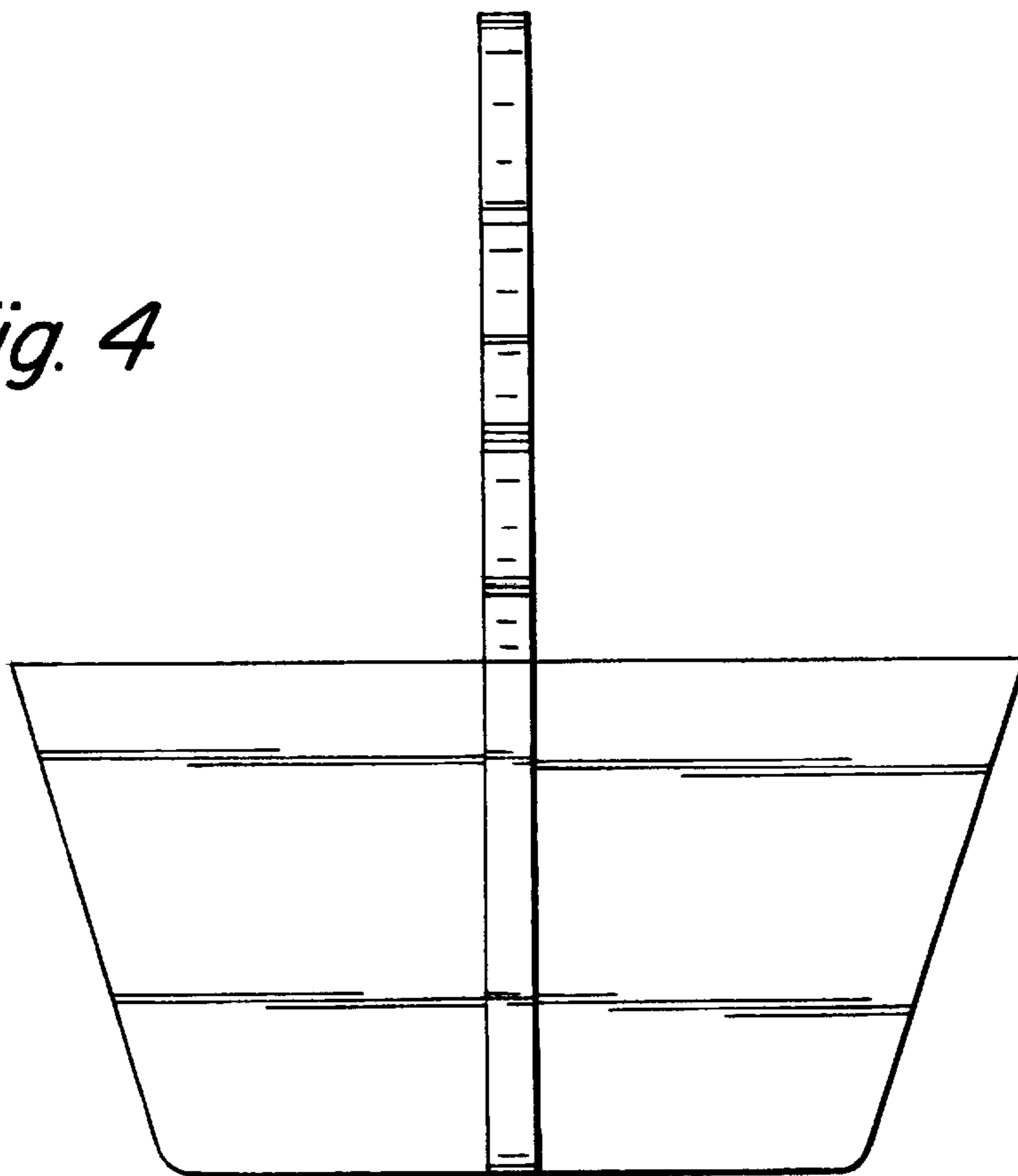


Fig. 5

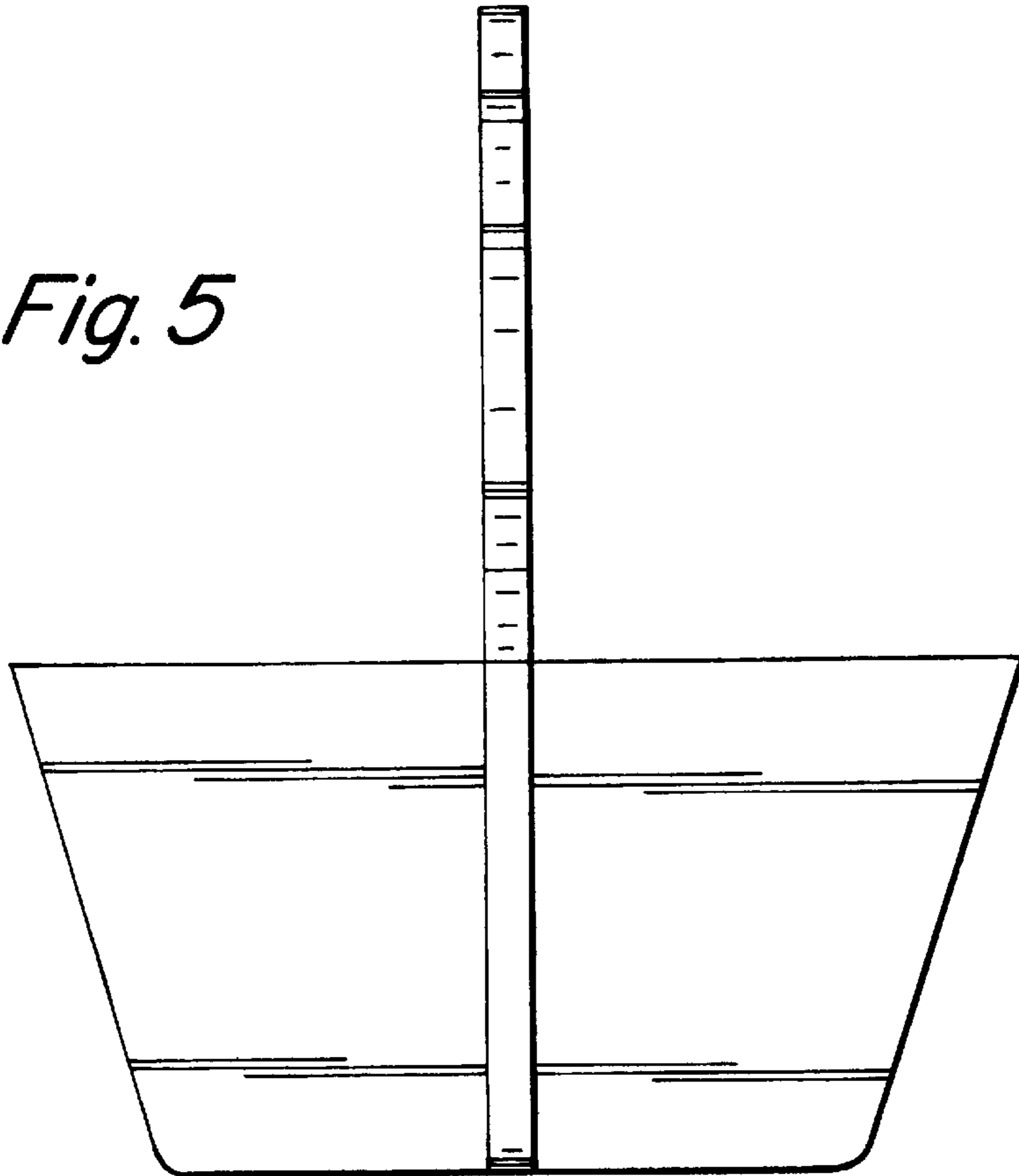
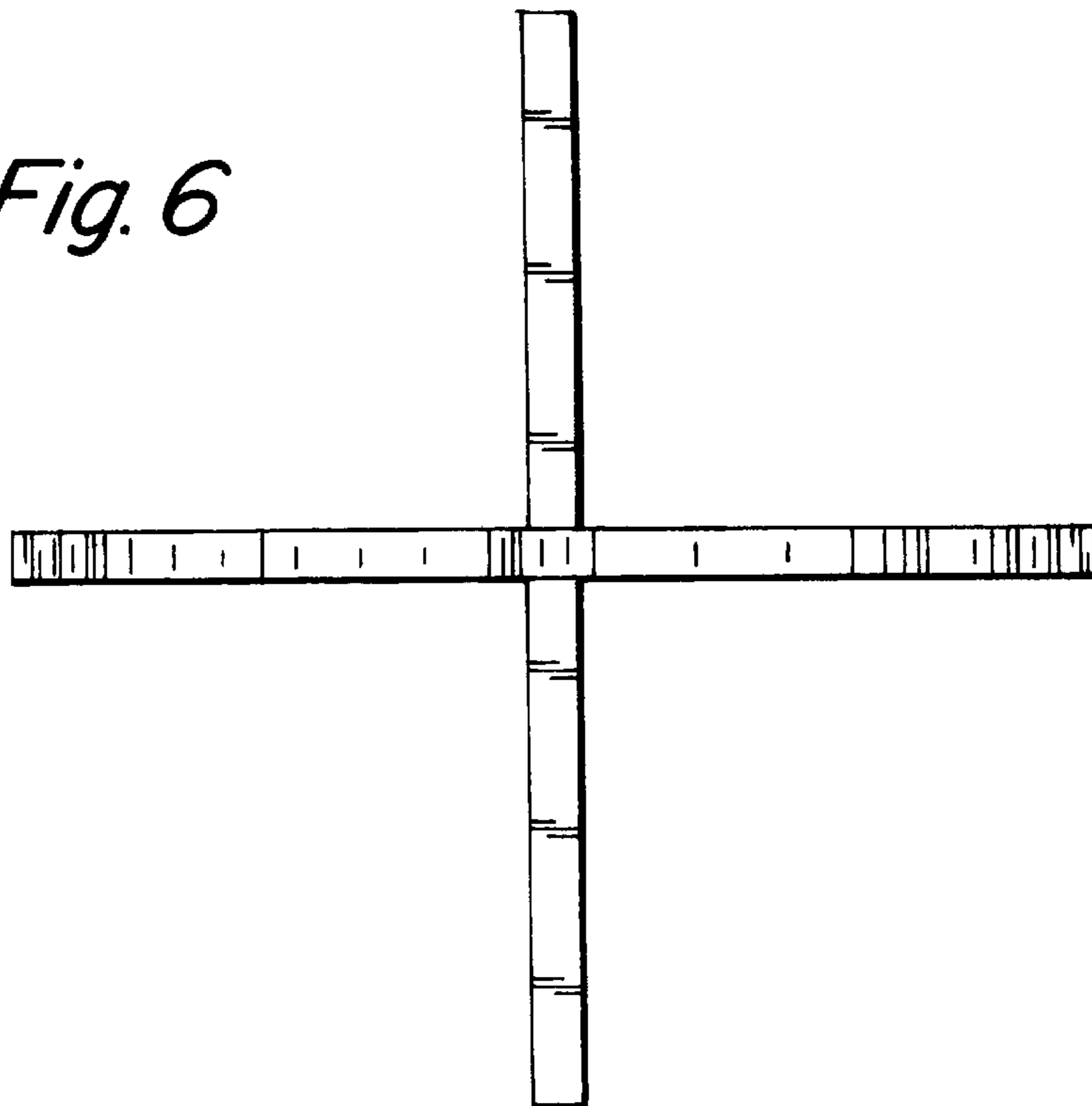
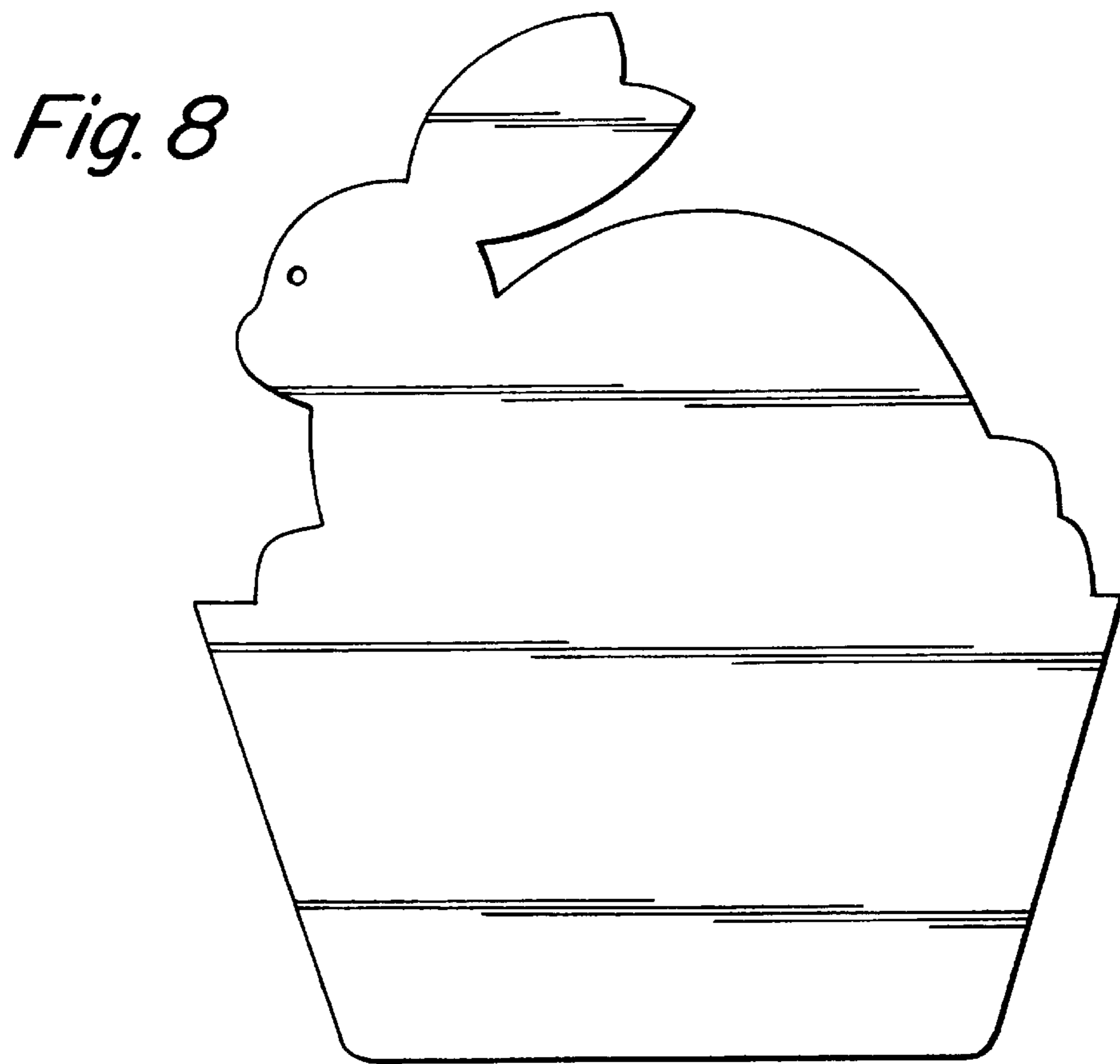
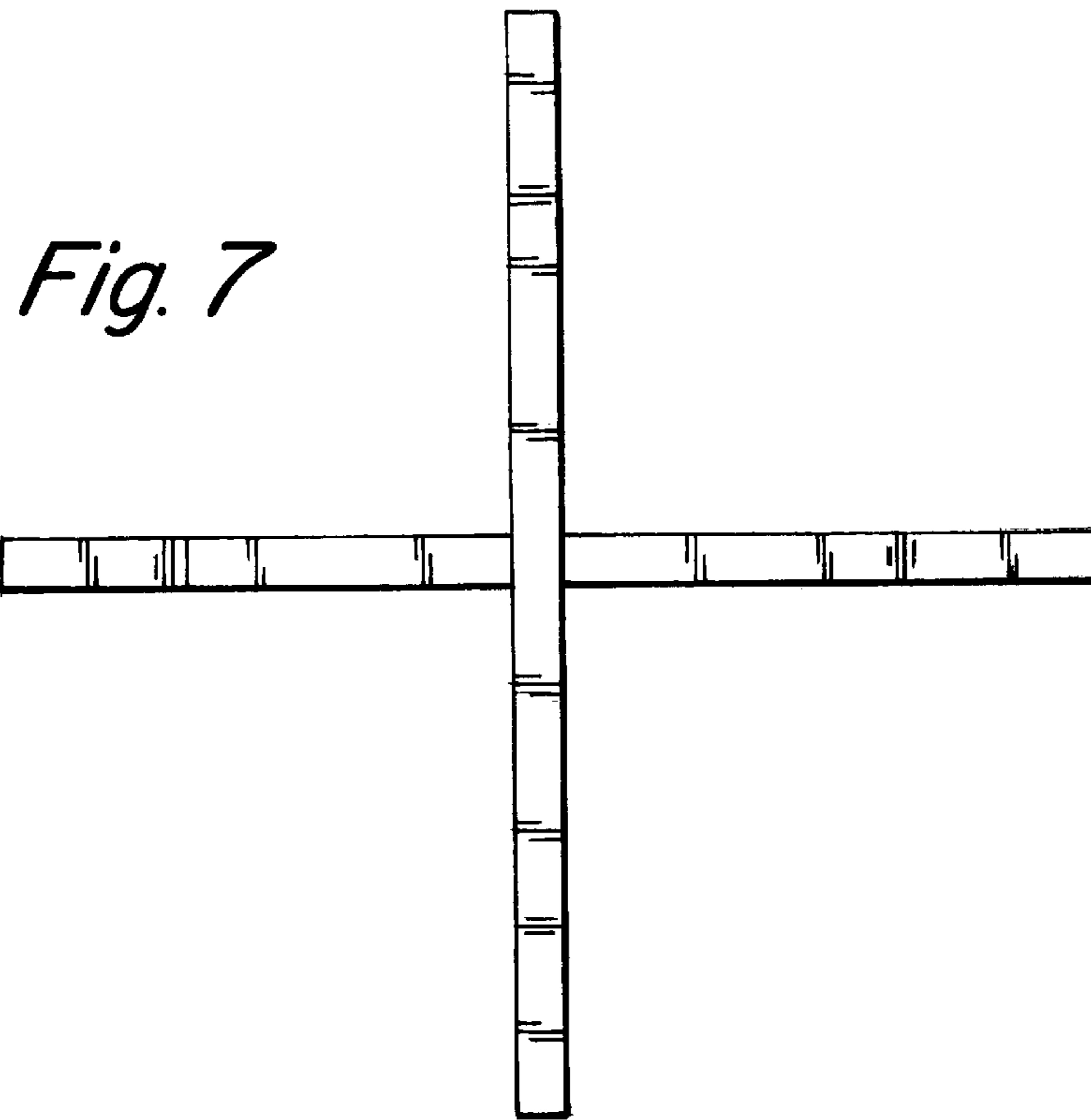


Fig. 6





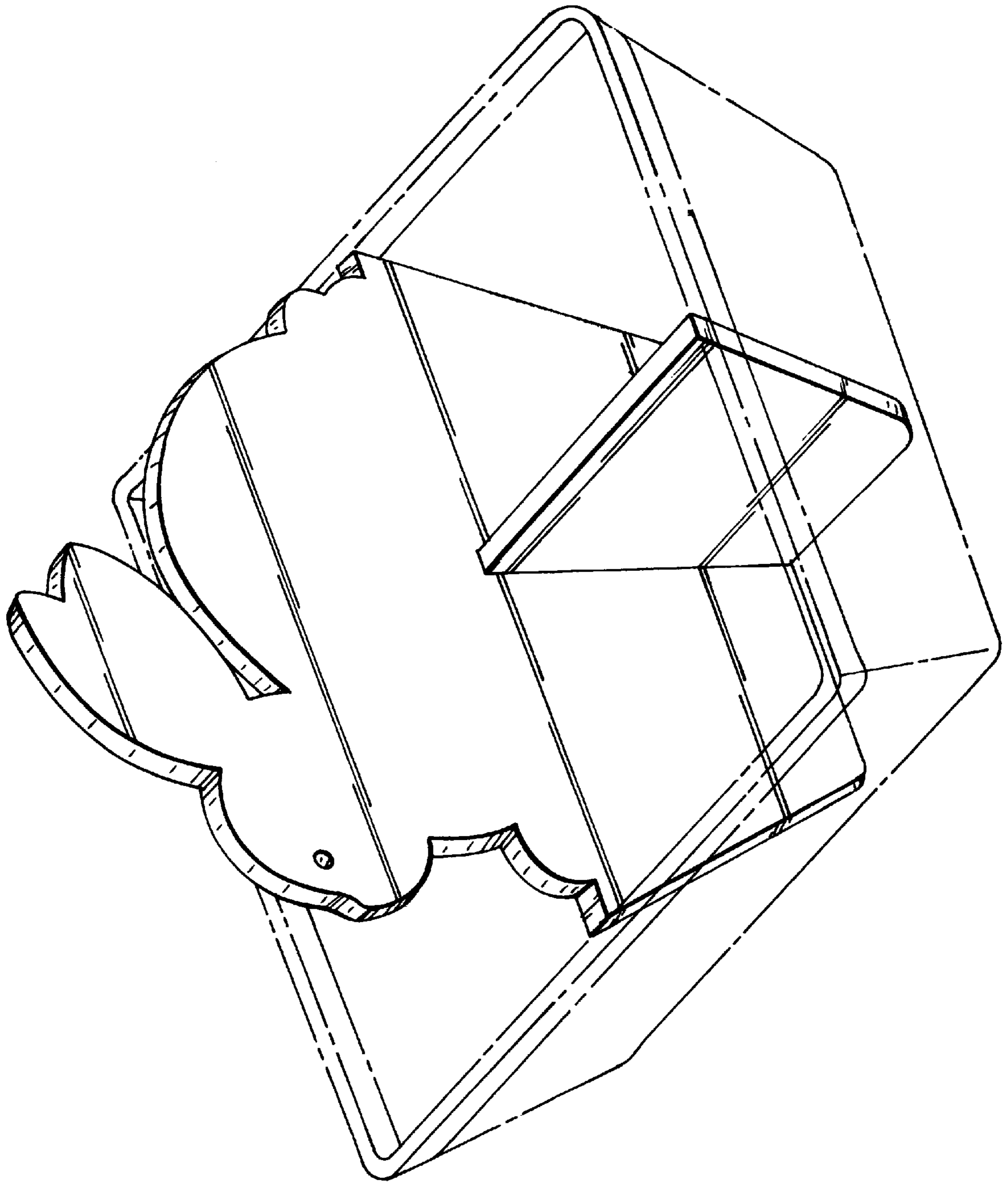


Fig. 9