



US00D423872S

United States Patent [19]
Blaise

[11] **Patent Number: Des. 423,872**

[45] **Date of Patent: ** May 2, 2000**

[54] **ELECTRIC APPARATUS FOR PREPARATION OF DRINKS**

D. 347,966	6/1994	Doggett	D7/378
D. 391,802	3/1998	Wong	D7/378
2,920,875	1/1960	Marfuggi	366/197
5,720,552	2/1998	Schindlegger	366/197

[75] Inventor: **Nicolas Blaise**, Caen, France

[73] Assignee: **Moulinex S.A.**, Cormelles-le-Royal, France

Primary Examiner—Caron D. Veynar
Attorney, Agent, or Firm—Young & Thompson

[**] Term: **14 Years**

[57] **CLAIM**

[21] Appl. No.: **29/105,414**

The ornamental design for an electric apparatus for preparation of drinks, as shown.

[22] Filed: **May 24, 1999**

DESCRIPTION

[30] **Foreign Application Priority Data**

Nov. 23, 1998 [FR] France 98 6826

FIG. 1 is a top and side perspective view of an electric apparatus for preparation of drinks, showing my new design; FIG. 2 is a side elevational view thereof; FIG. 3 is a side elevational view thereof from the left of FIG. 2; FIG. 4 is a side elevational view thereof from the right of FIG. 2; FIG. 5 is a side elevational view thereof from the side opposite that shown in FIG. 2; FIG. 6 is a top plan view thereof; and, FIG. 7 is a bottom plan view thereof.

[51] **LOC (7) Cl.** **31-00**

[52] **U.S. Cl.** **D7/378**

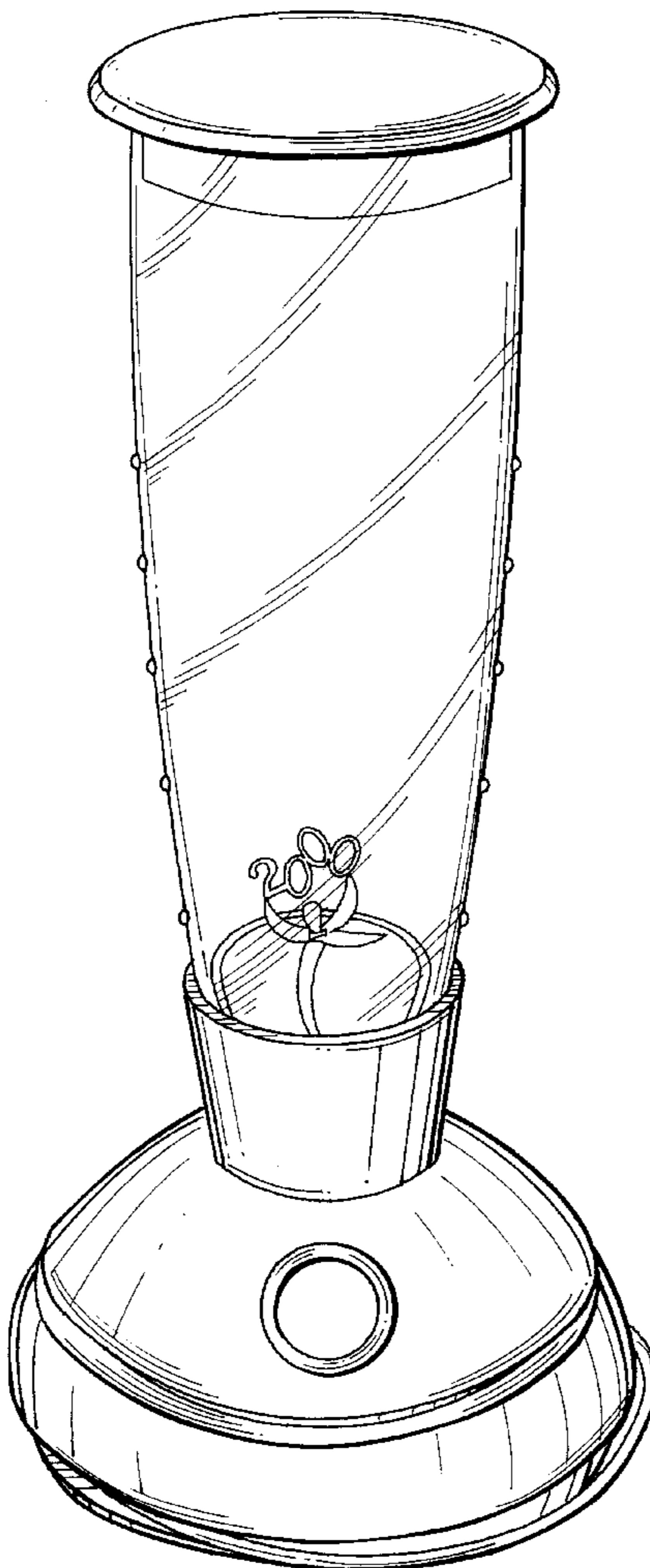
[58] **Field of Search** D7/376, 378, 386, D7/413; 366/129, 197, 205

[56] **References Cited**

U.S. PATENT DOCUMENTS

D. 179,382	12/1956	Danin	D7/378
D. 195,073	4/1963	Freedman	D7/378

1 Claim, 6 Drawing Sheets



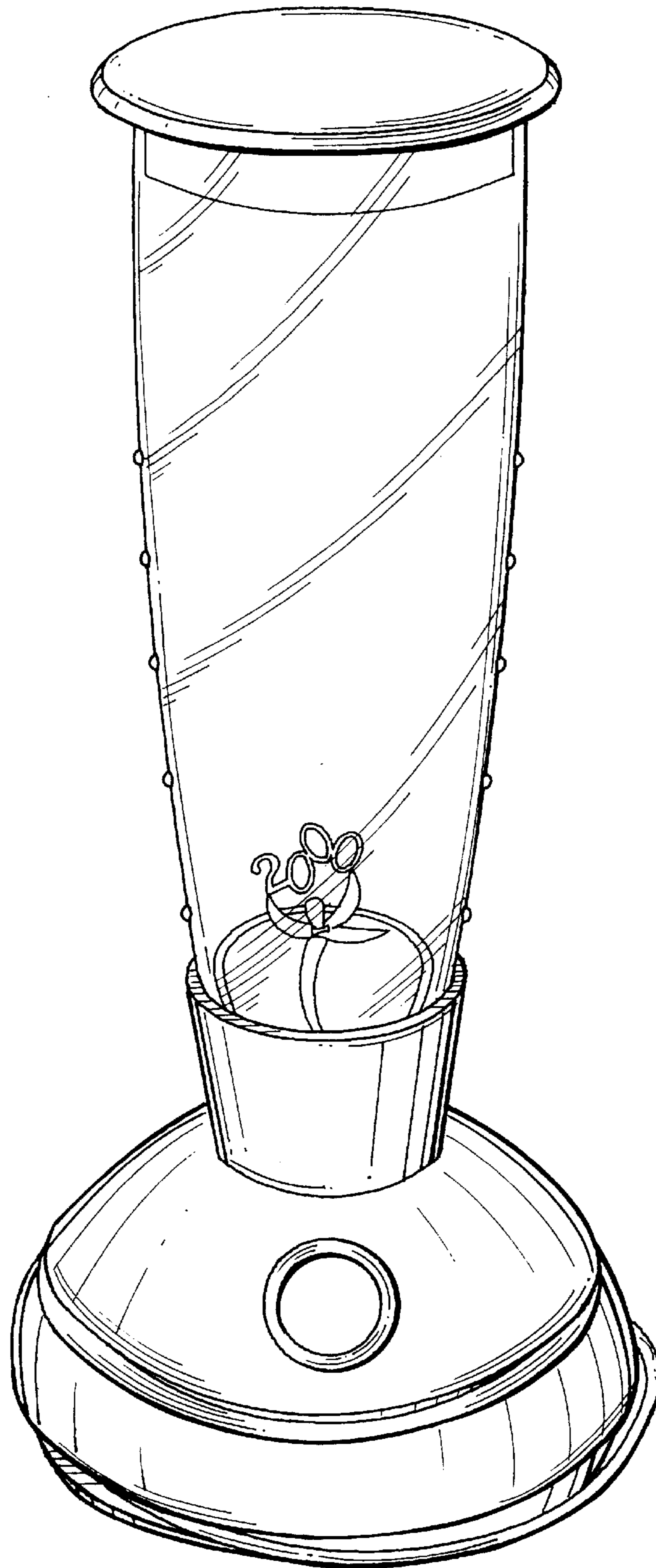


FIG. 1

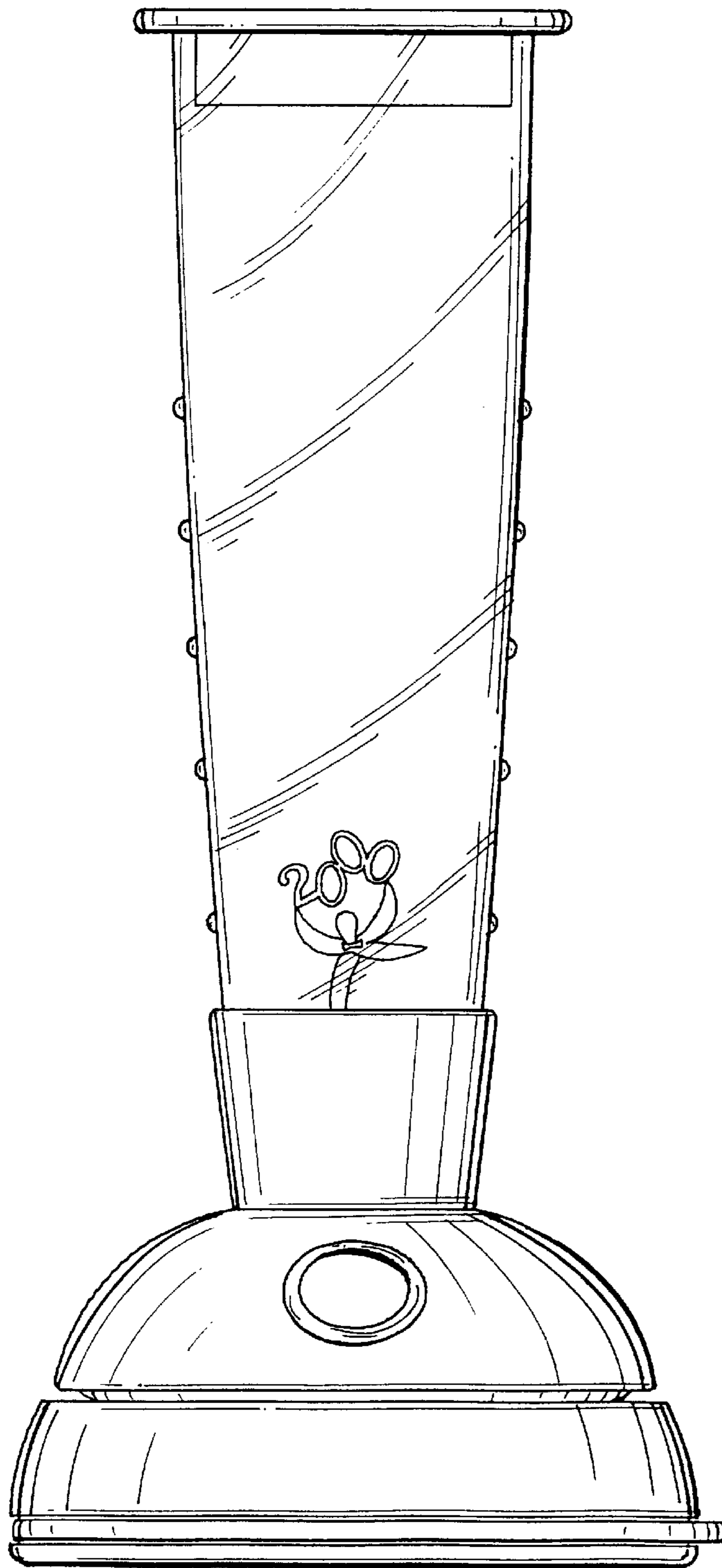


FIG. 2

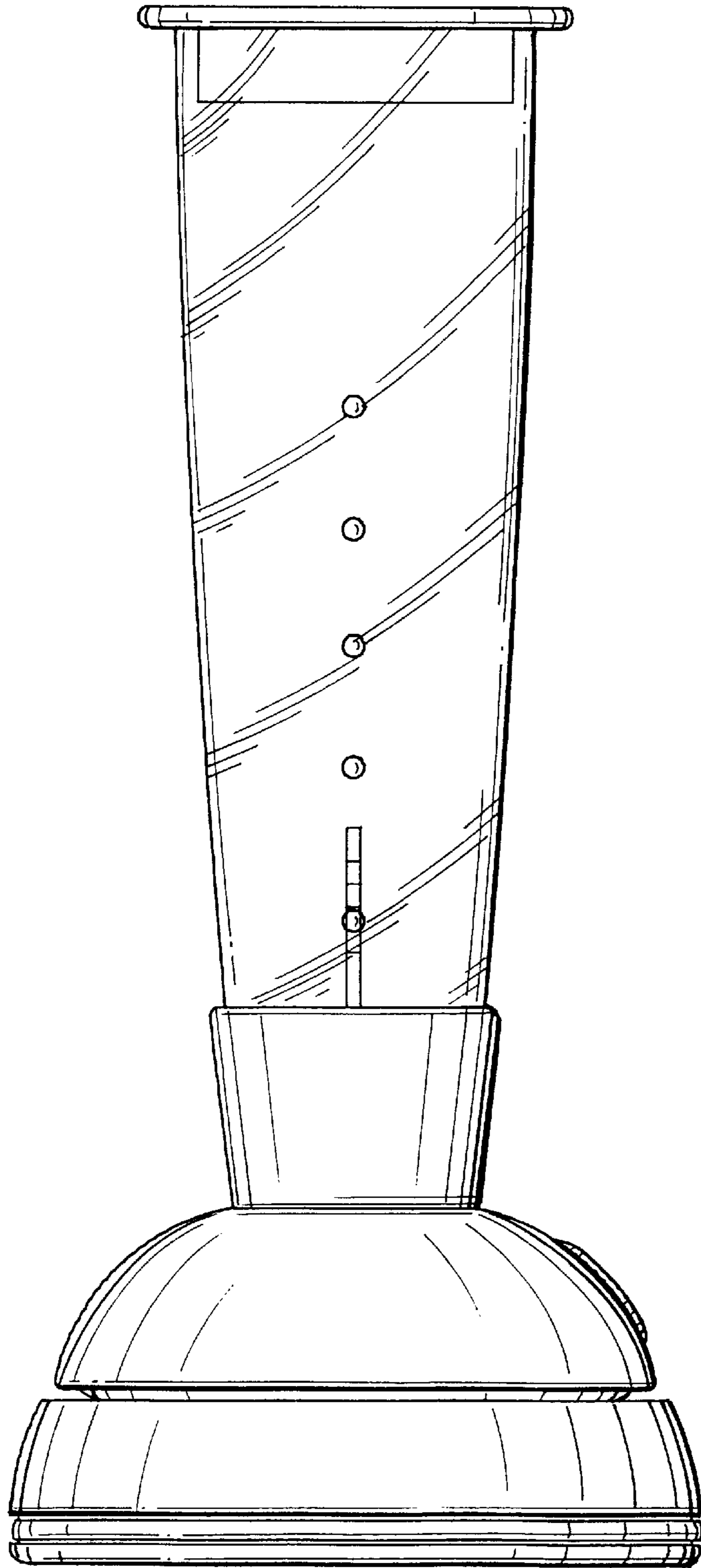


FIG. 3

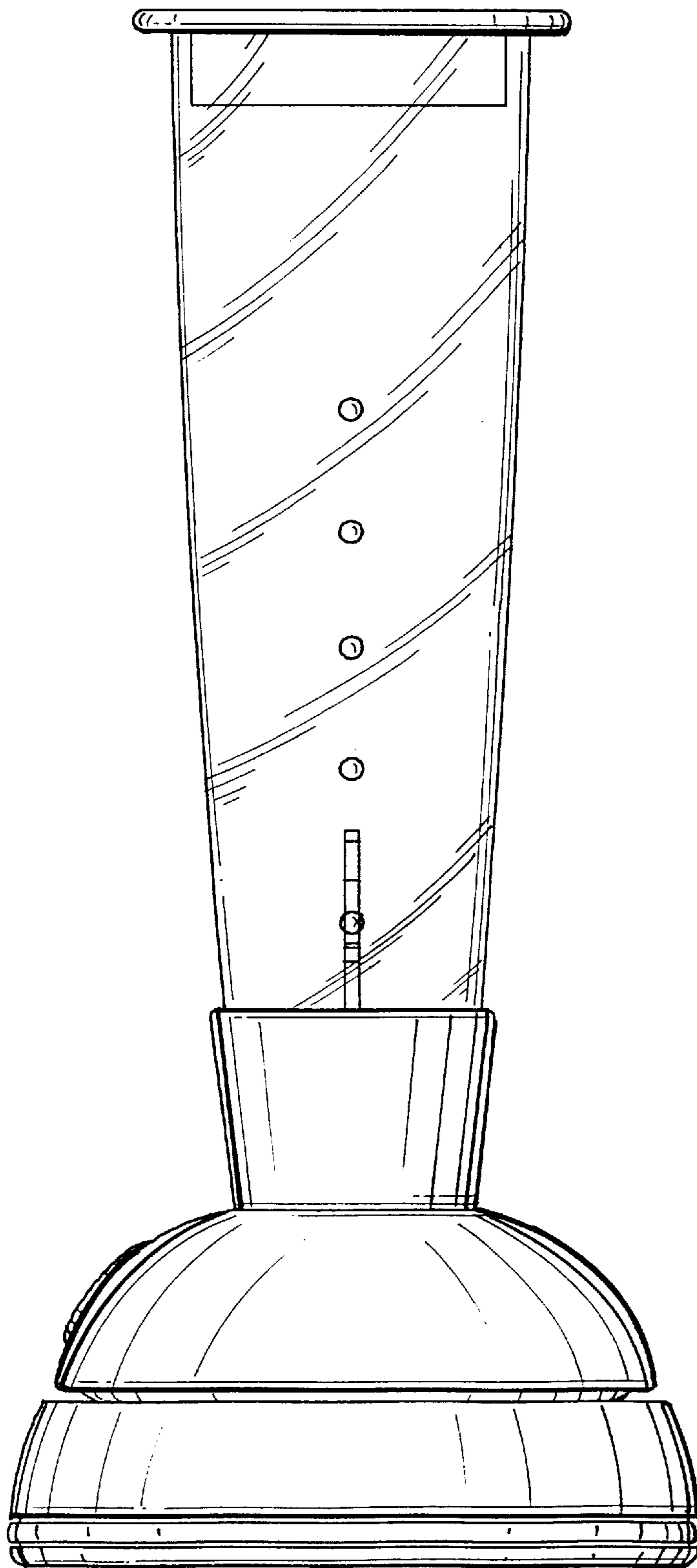


FIG. 4

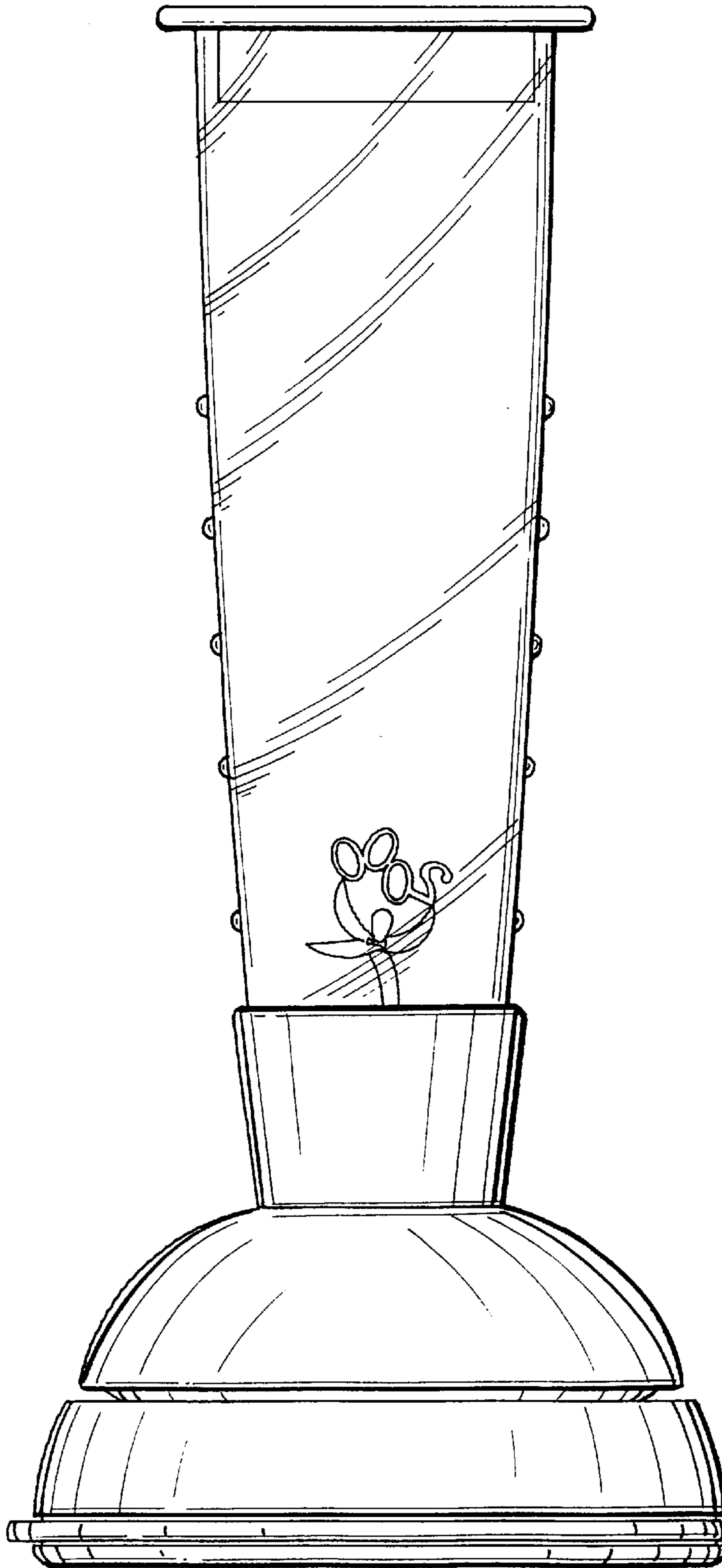


FIG. 5

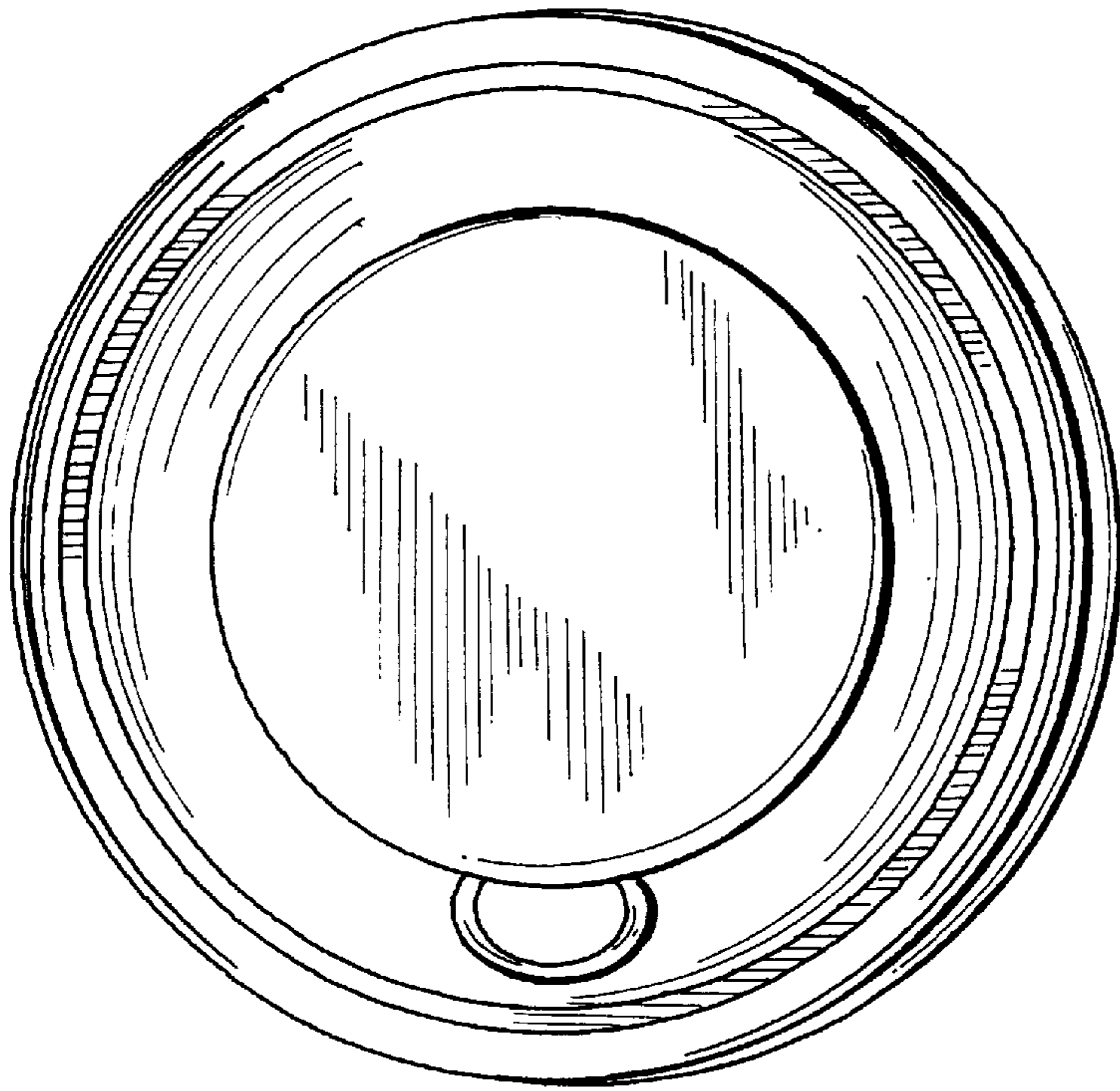


FIG. 6

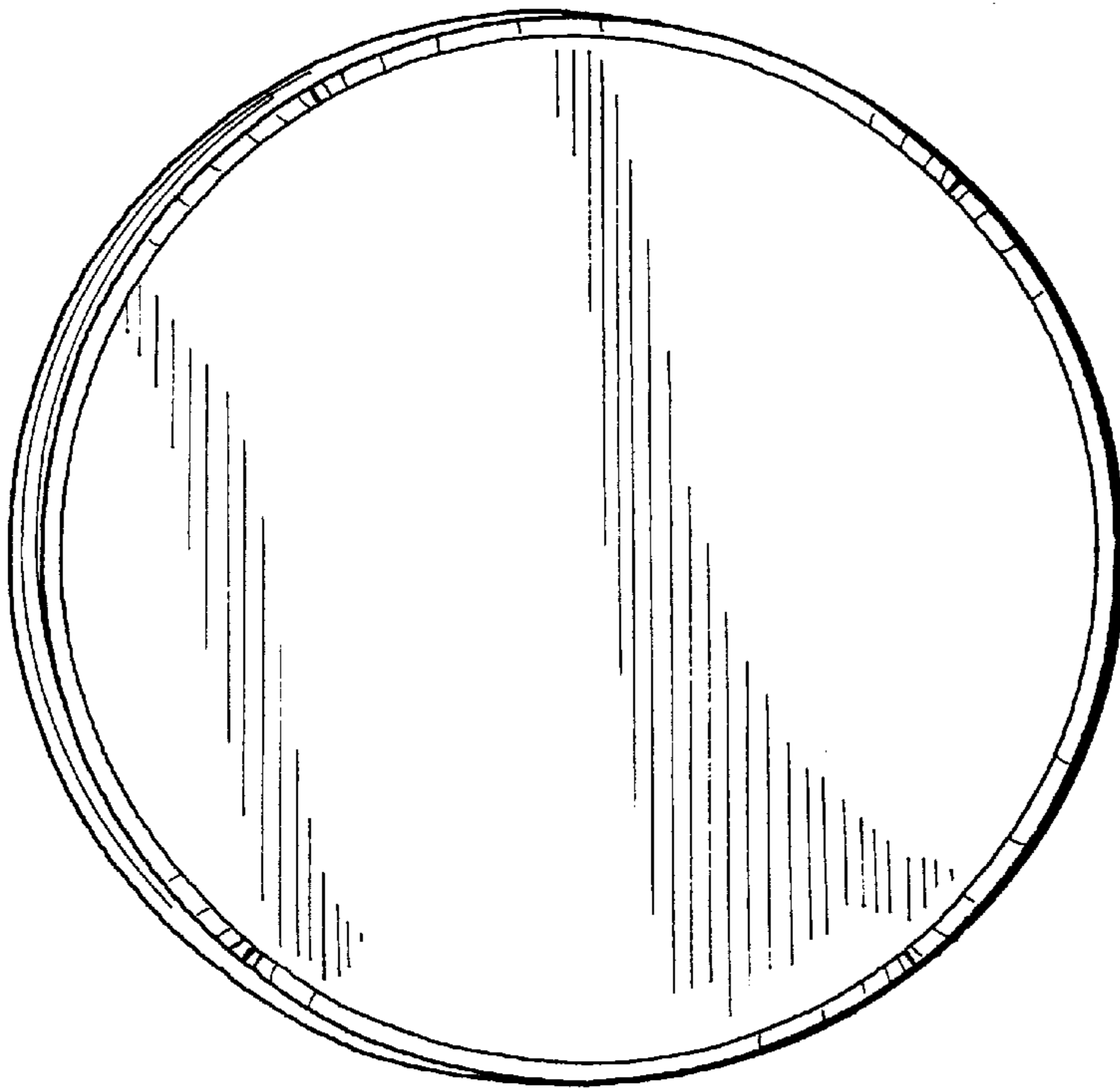


FIG. 7