



US00D423871S

United States Patent [19]

Persson et al.

[11] Patent Number: **Des. 423,871**

[45] Date of Patent: **** May 2, 2000**

[54] **HOMOGENIZER**

2,059,666	11/1936	Thompson	99/345
2,478,253	8/1949	Doner	219/404
5,020,304	6/1991	Peterman et al.	53/458

[75] Inventors: **Richard Persson**, Landskrona;
Claes-Göran Johansson,
Löddeköpinge, both of Sweden

Primary Examiner—Caron D. Veynar
Attorney, Agent, or Firm—Burns, Doane, Swecker &
Mathis, L.L.P.

[73] Assignee: **Tetra Laval Holdings & Finance S.A.**,
Pully, Switzerland

[**] Term: **14 Years**

[57] CLAIM

[21] Appl. No.: **29/093,822**

The ornamental design for a homogenizer, as shown and described.

[22] Filed: **Sep. 18, 1998**

DESCRIPTION

[30] Foreign Application Priority Data

Mar. 18, 1998 [SE] Sweden 98-0642

FIG. 1 is a front and right side perspective view of a homogenizer showing our new design;

[51] **LOC (7) Cl.** **31-00**

FIG. 2 is a front and left side perspective view thereof;

[52] **U.S. Cl.** **D7/377**

FIG. 3 is a top and right side perspective view thereof;

[58] **Field of Search** D7/376-378, 337,
D7/350; 99/324, 341, 345; 366/53, 143,
176.1, 241

FIG. 4 is a front elevational view thereof;

FIG. 5 is a left side elevational view thereof;

FIG. 6 is a right side elevational view thereof; and,

FIG. 7 is a rear elevational view thereof.

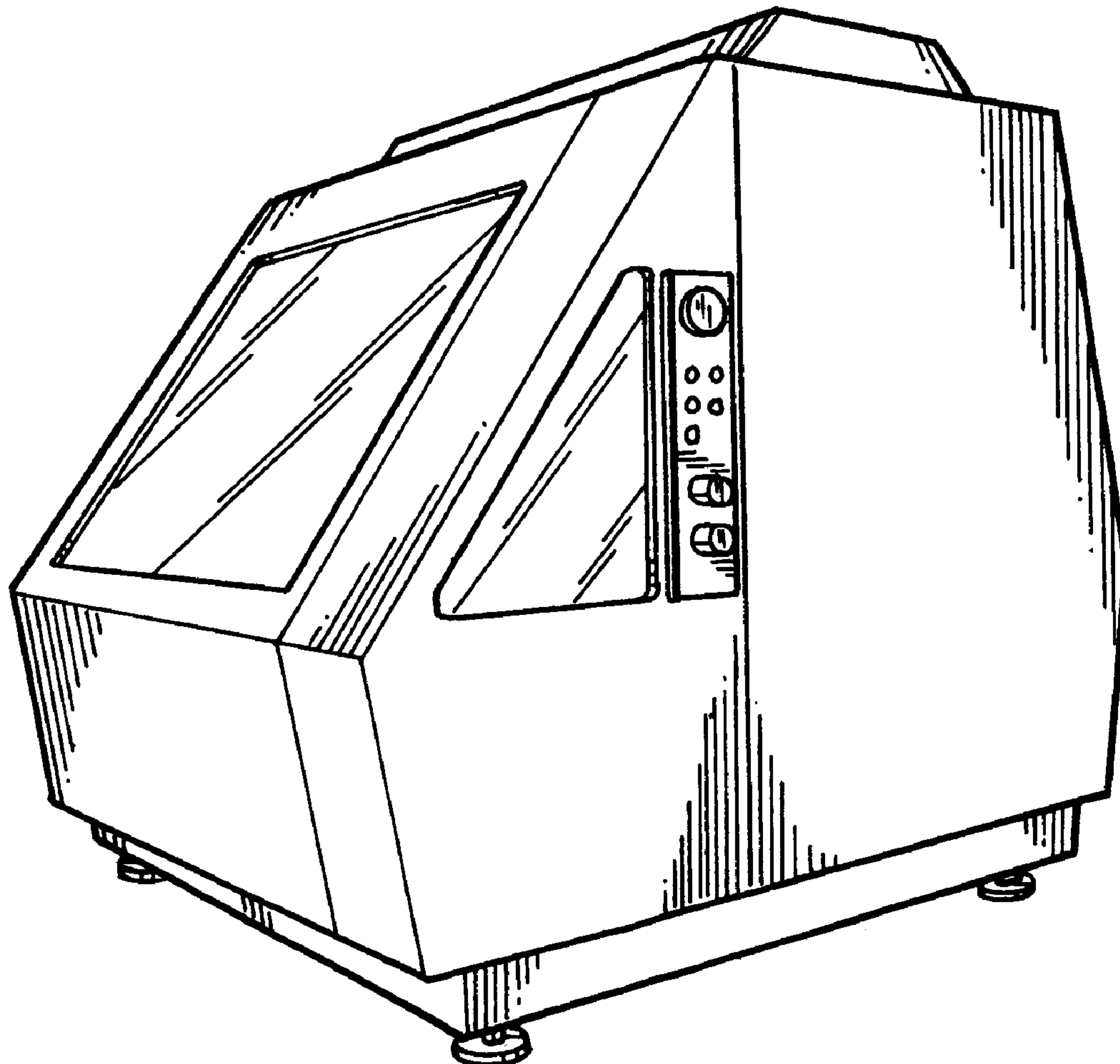
The bottom surface of the homogenizer forms no part of the claimed design.

[56] References Cited

U.S. PATENT DOCUMENTS

D. 372,487 8/1996 Brewer et al. D15/145

1 Claim, 3 Drawing Sheets



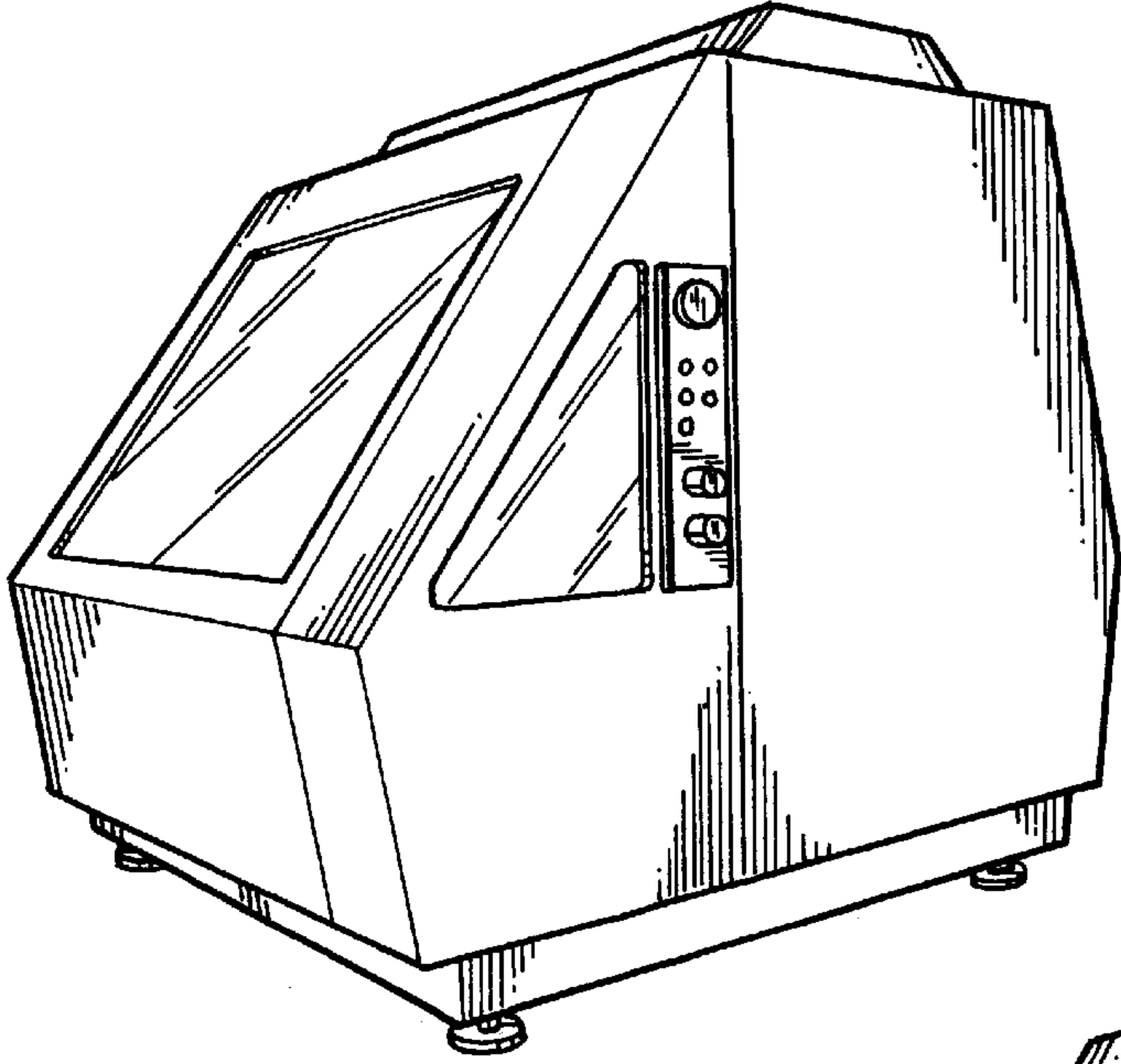


FIG. 1

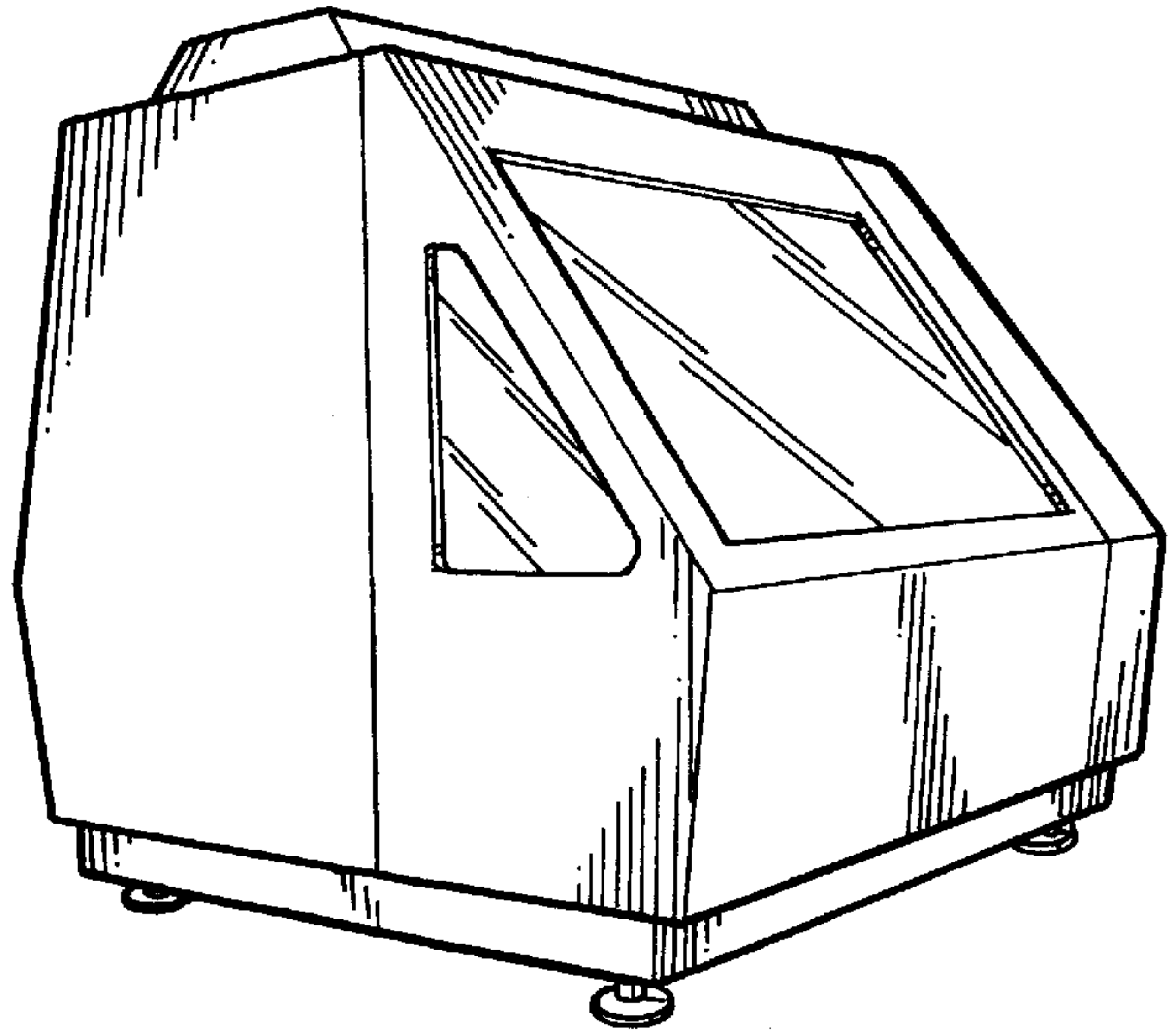


FIG. 2

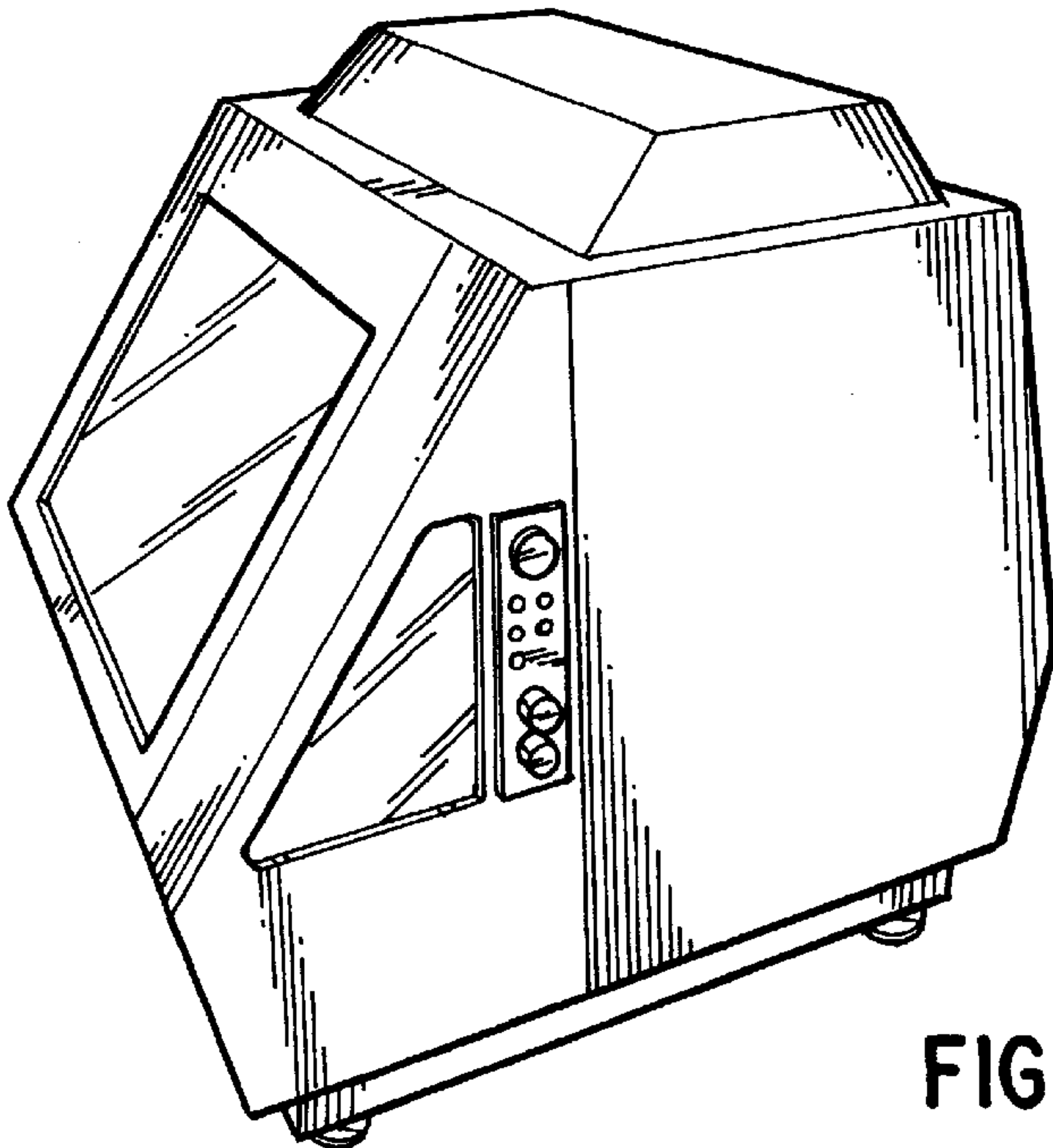


FIG. 3

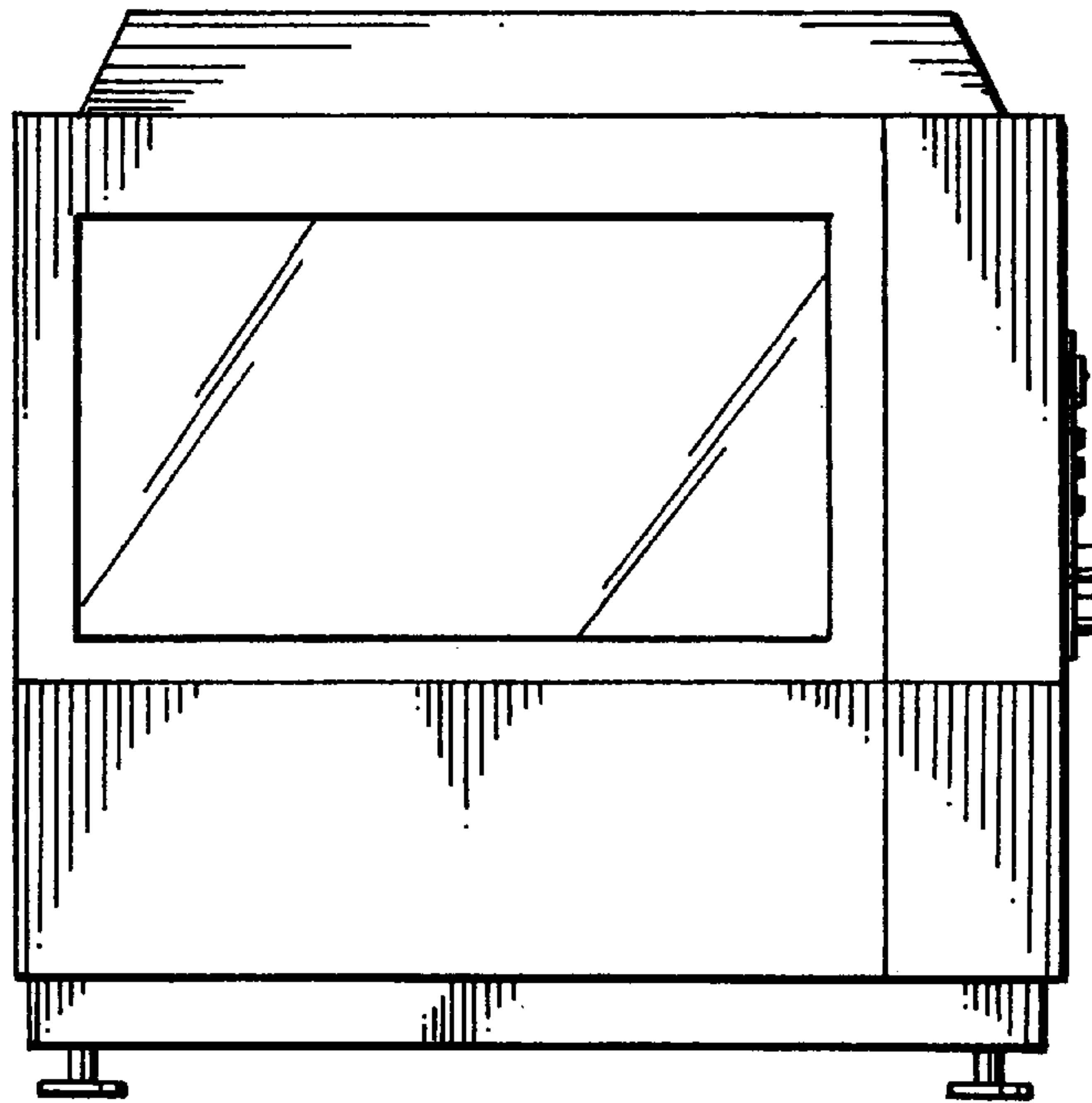


FIG. 4

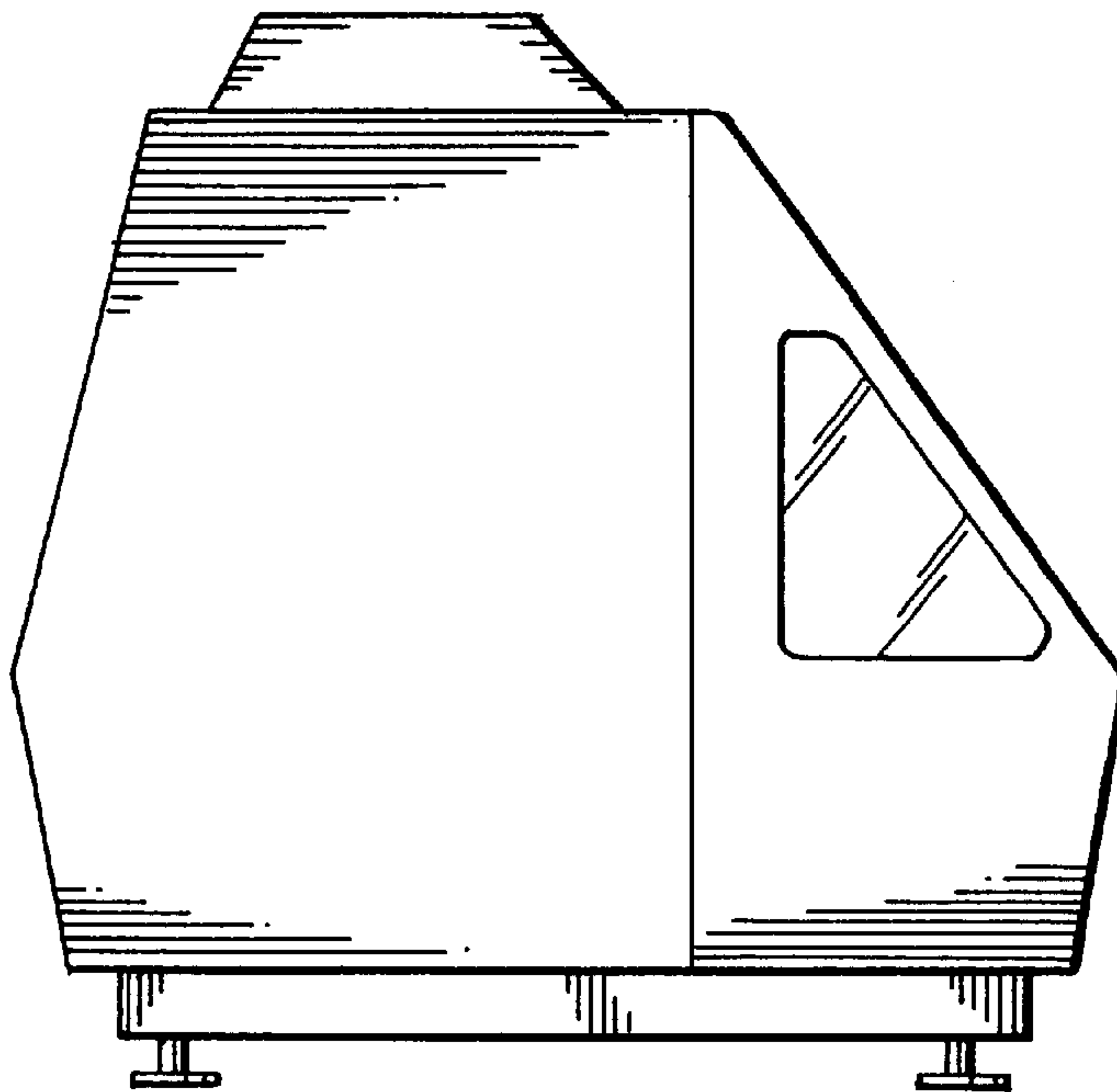


FIG. 5

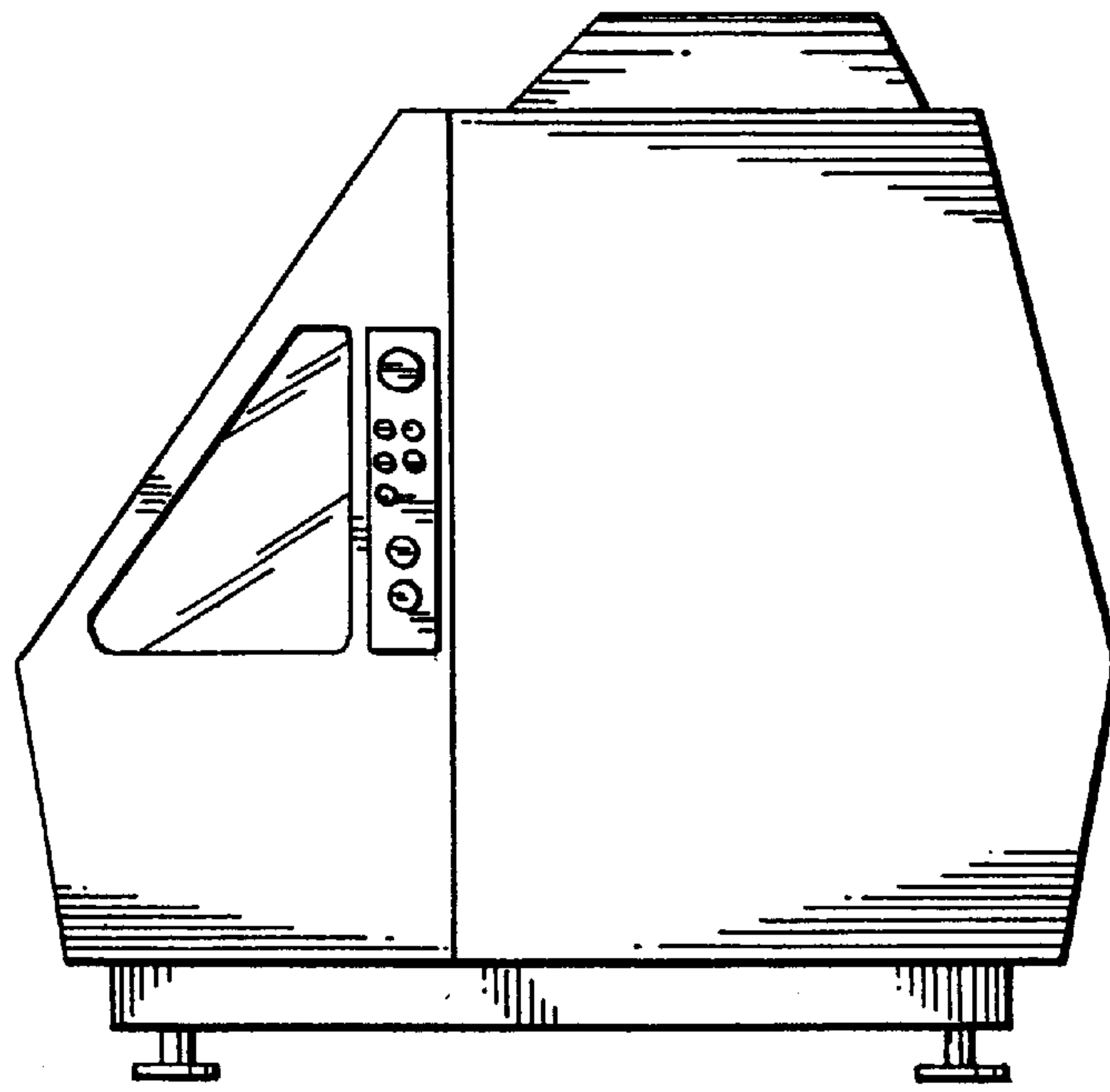


FIG. 6

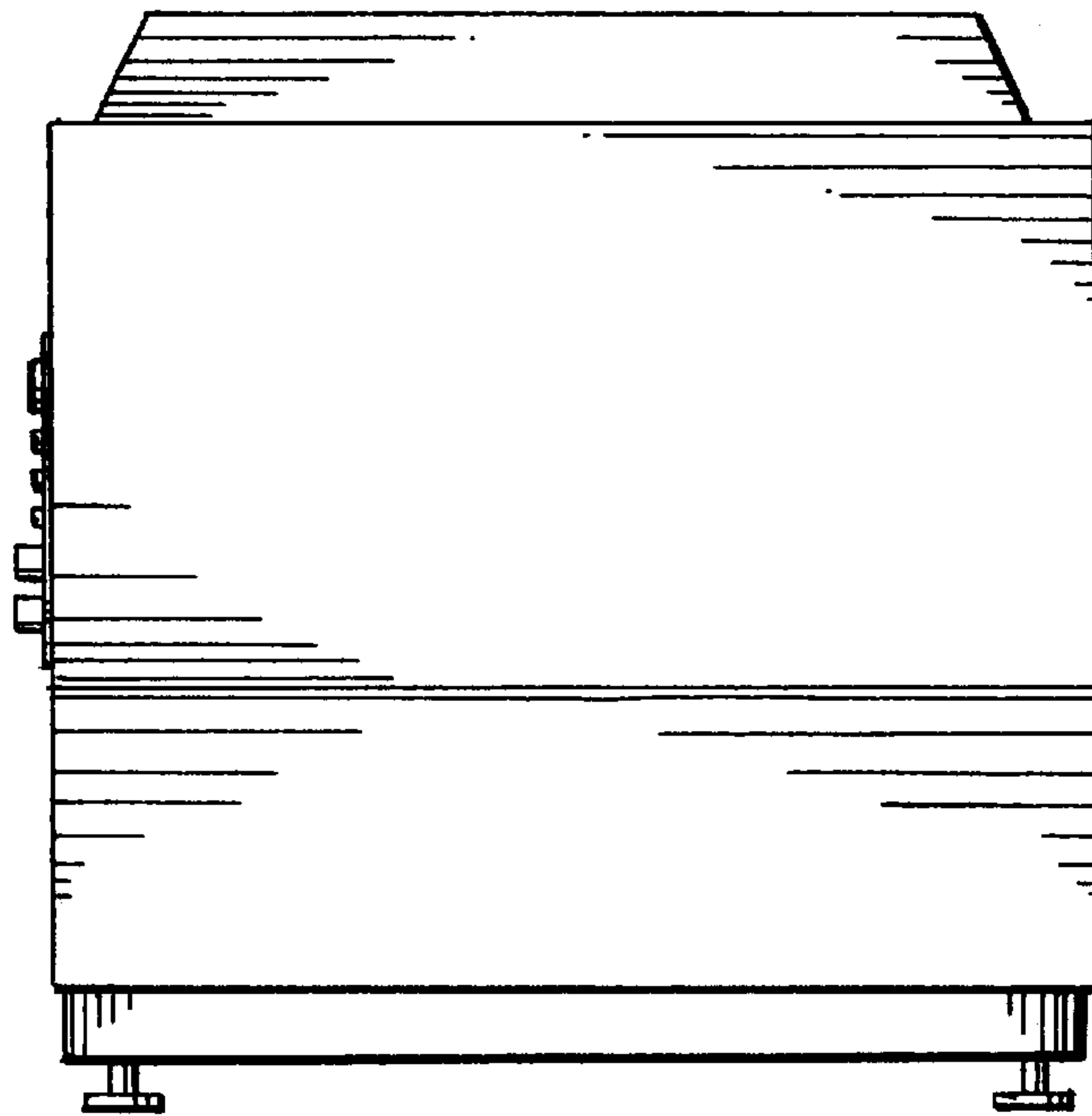


FIG. 7