



US00D423870S

United States Patent [19] Pinney

[11] Patent Number: **Des. 423,870**

[45] Date of Patent: **** May 2, 2000**

[54] **COFFEE GRINDER**

[76] Inventor: **Paul M. Pinney**, 3841 Kipling Ave.
South, Minneapolis, Minn. 55416

[**] Term: **14 Years**

[21] Appl. No.: **29/099,413**

[22] Filed: **Jan. 21, 1999**

[51] **LOC (7) Cl.** **07-02**

[52] **U.S. Cl.** **D7/373**

[58] **Field of Search** D7/372, 373, 374,
D7/384, 309-310; 241/100, 249; 99/304,
306, 286, 586; 248/312.1

[56] **References Cited**

U.S. PATENT DOCUMENTS

D. 95,120	4/1935	Cooper	D7/373
D. 248,080	6/1978	Maejima	D7/373
D. 248,159	6/1978	Maejima	D7/373
D. 331,176	11/1992	Green	D7/679
D. 336,211	6/1993	Classen	D7/373
D. 336,212	6/1993	Classen	D7/373
D. 336,404	6/1993	Classen	D7/373
D. 339,711	9/1993	Precht et al.	D7/305
D. 361,919	9/1995	Fouquet	D7/373

D. 382,438	8/1997	Figur et al.	D7/309
D. 391,441	3/1998	Tanaka et al.	D7/372
D. 399,385	10/1998	Chong et al.	D7/384
D. 404,246	1/1999	Arita et al.	D7/372
4,749,134	6/1988	Van Camp	.	
4,893,758	1/1990	Foley et al.	.	
4,911,369	3/1990	Bunn	.	

Primary Examiner—Ruth McInroy
Attorney, Agent, or Firm—Edwin E. Voigt, II; Vidas, Arrett & Steinkraus

[57] **CLAIM**

The ornamental design for a coffee grinder, as shown and described.

DESCRIPTION

FIG. 1 is an isometric view of a coffee grinder showing my new design;
FIG. 2 is a right side elevational view thereof;
FIG. 3 is a top plan view thereof;
FIG. 4 is a left side elevational view thereof;
FIG. 5 is a bottom plan view thereof;
FIG. 6 is a front elevational view thereof; and,
FIG. 7 is a rear elevational view thereof.

1 Claim, 4 Drawing Sheets

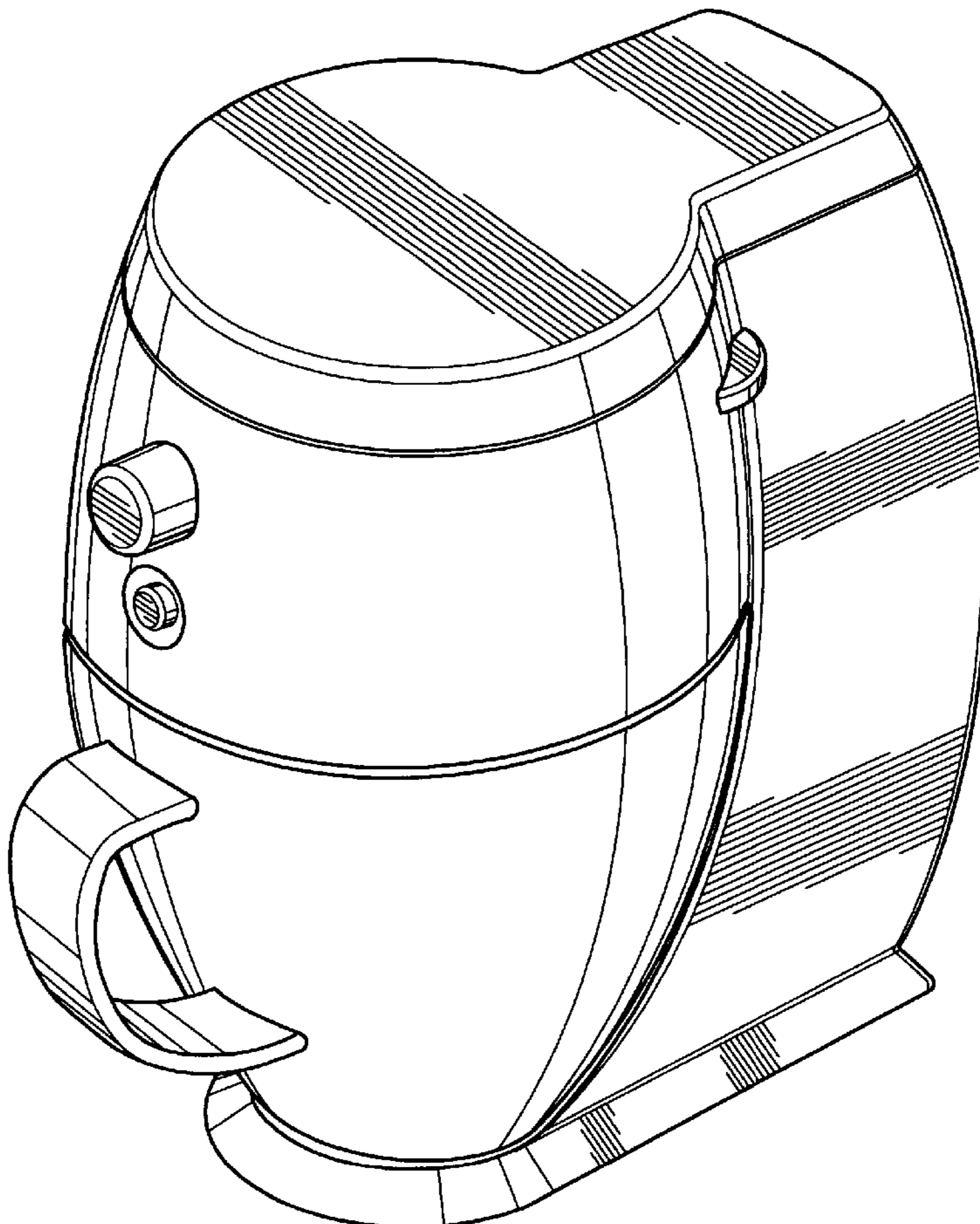


Fig. 1

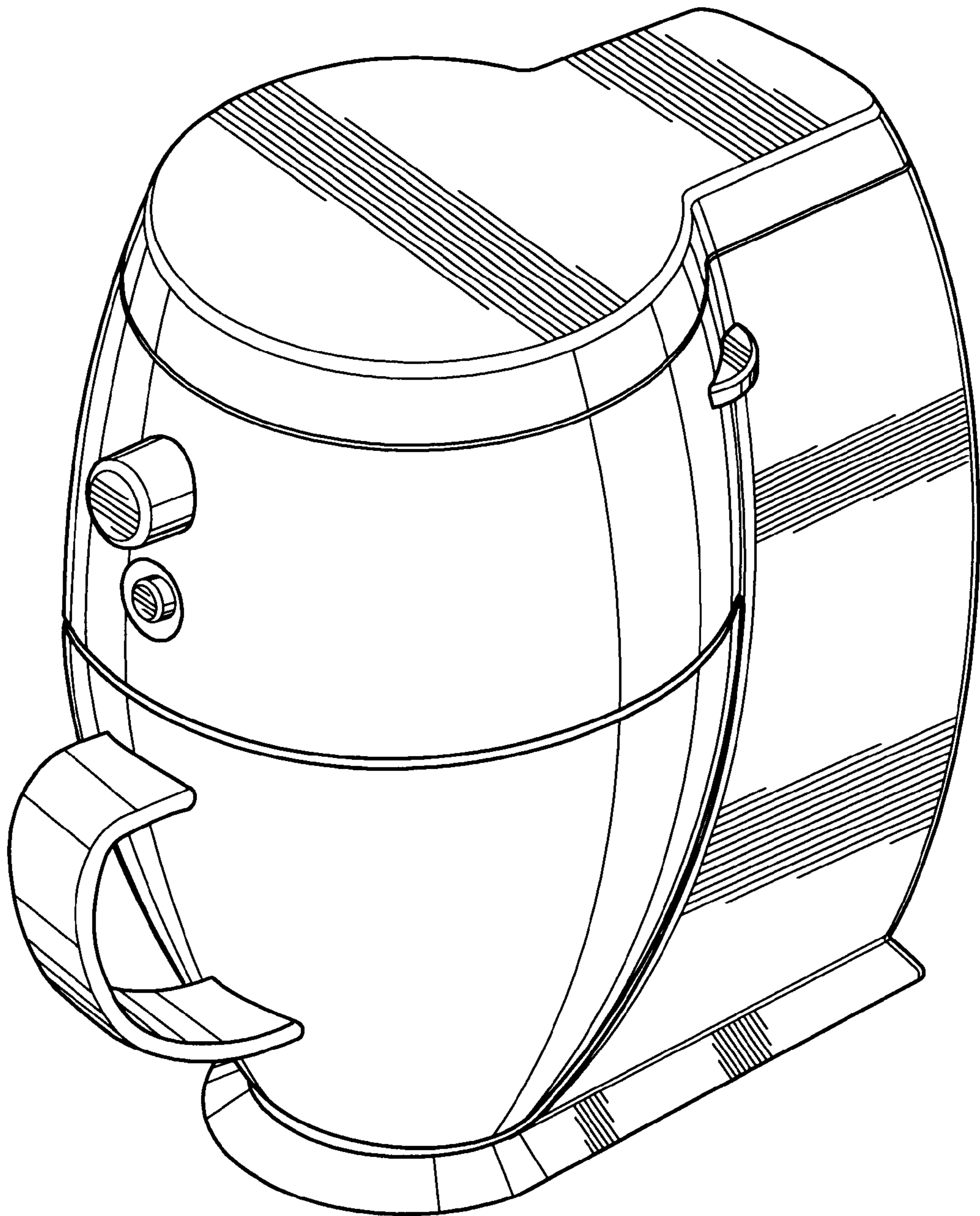


Fig. 2

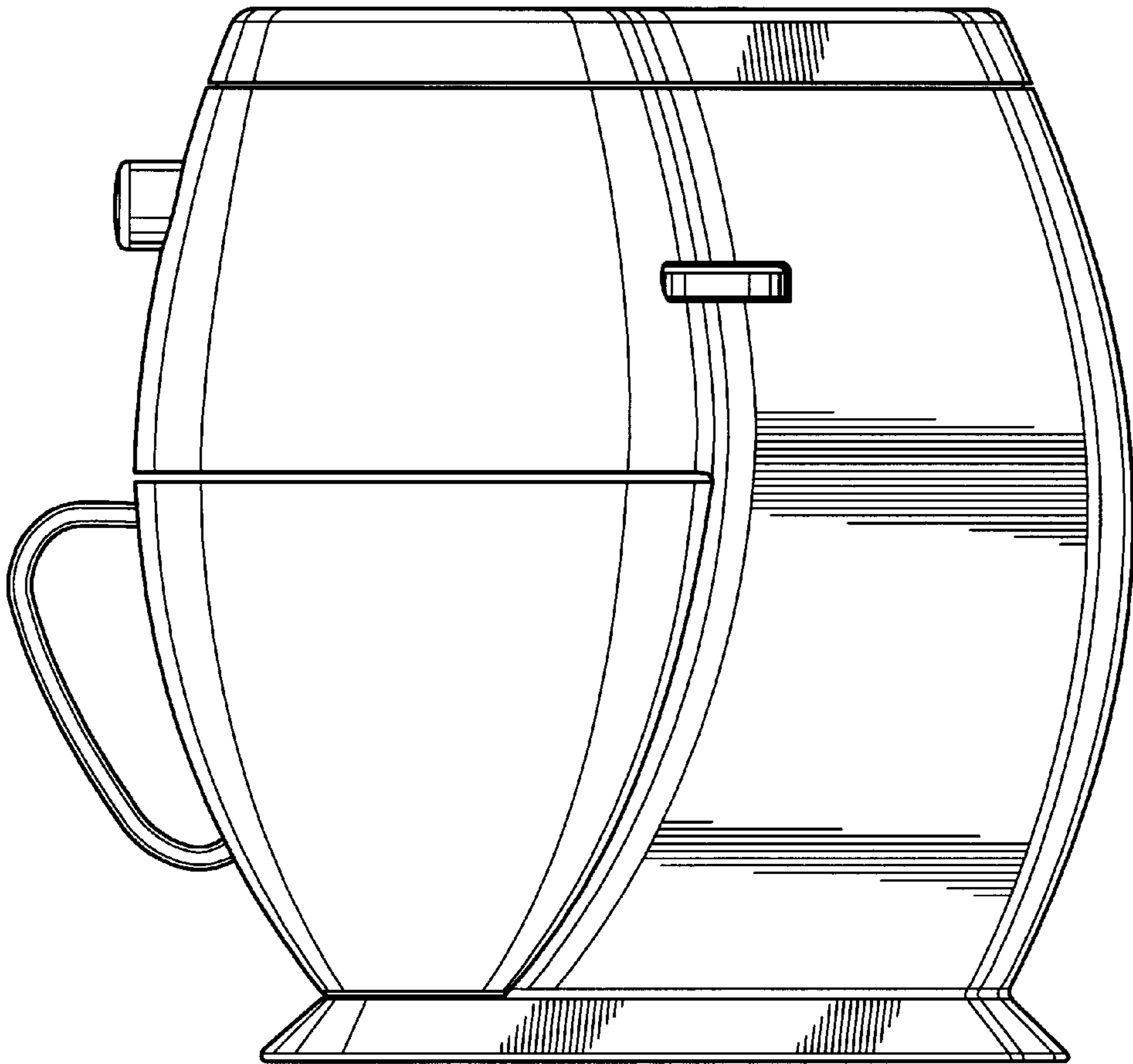


Fig. 3

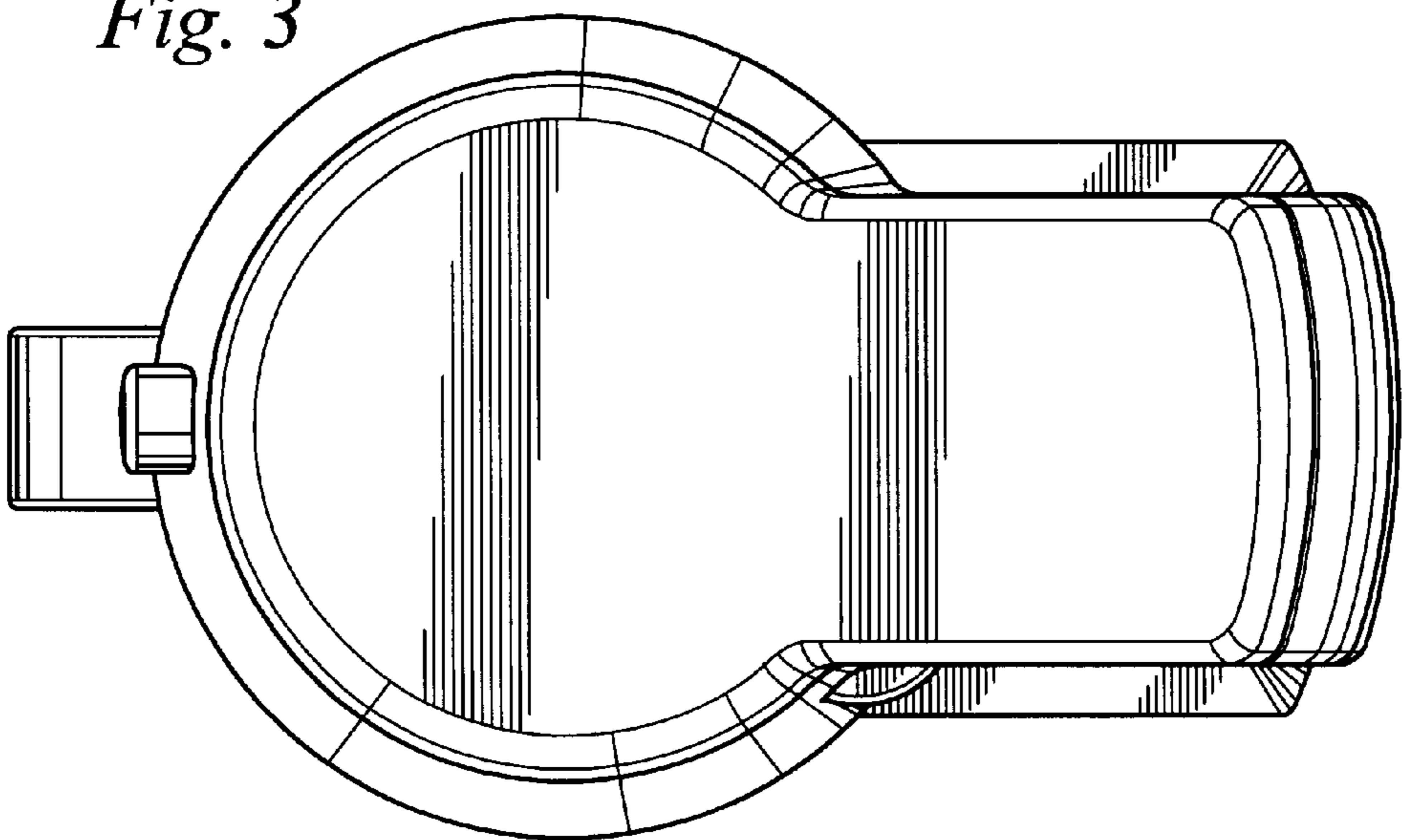


Fig. 4

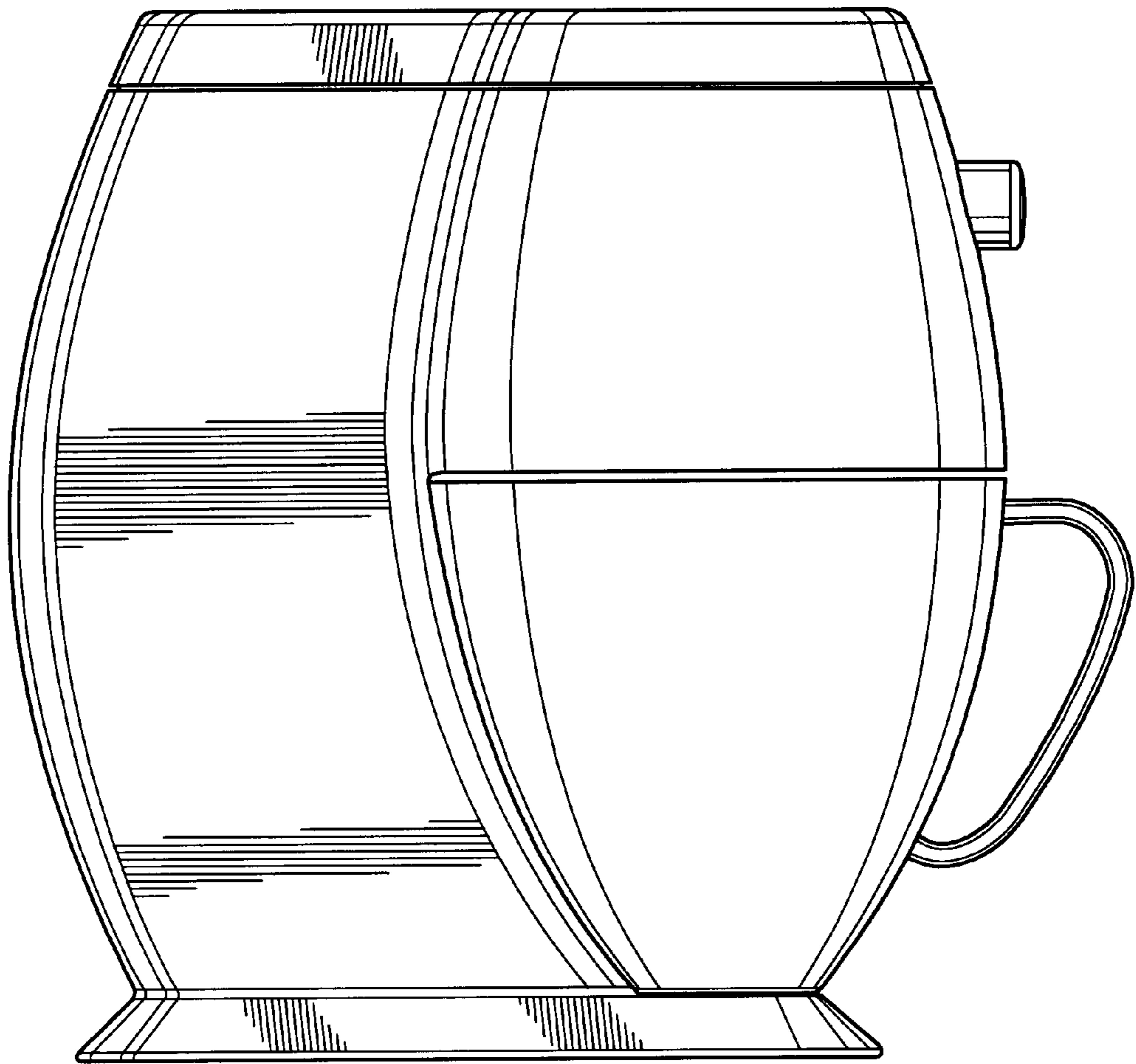


Fig. 5

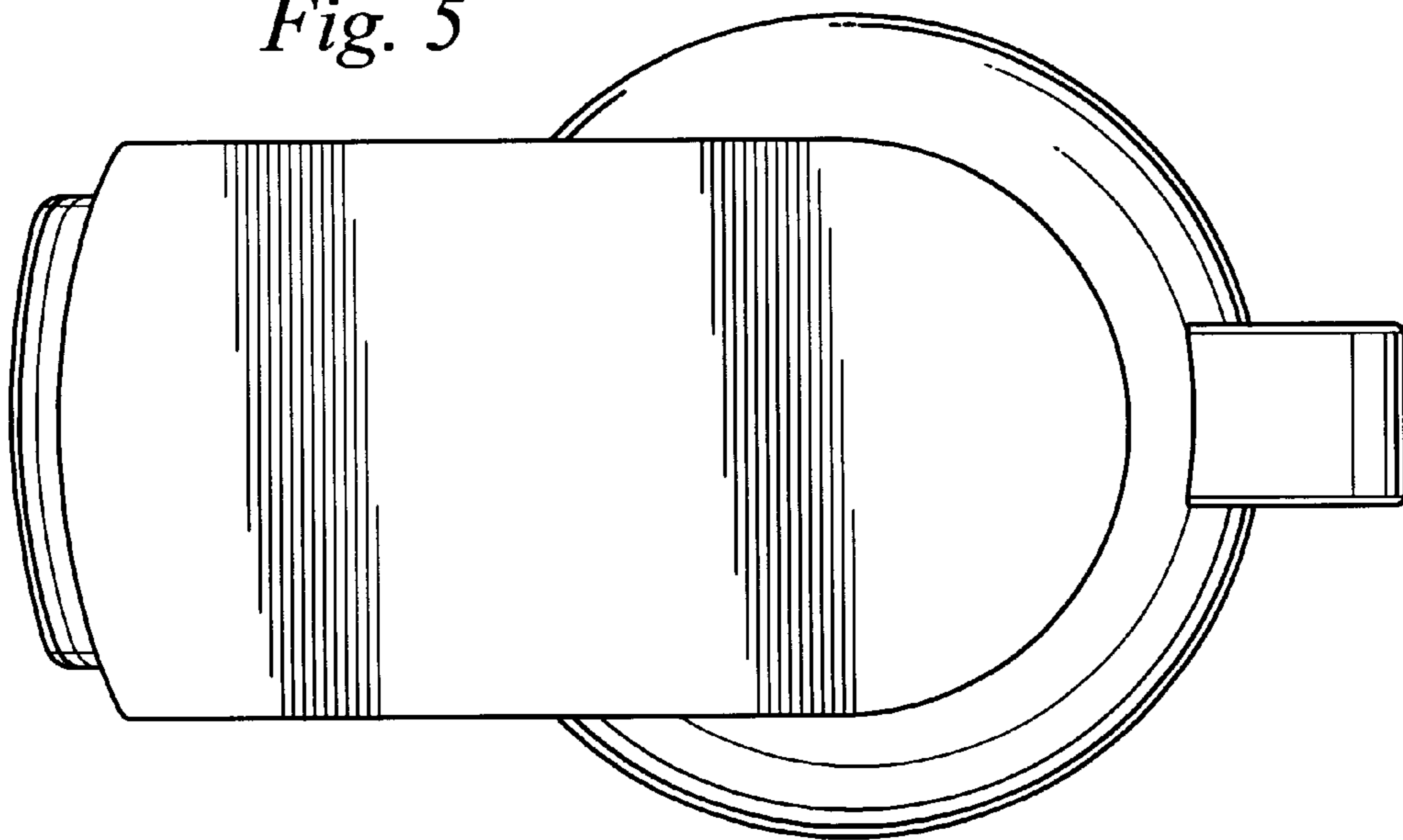


Fig. 6

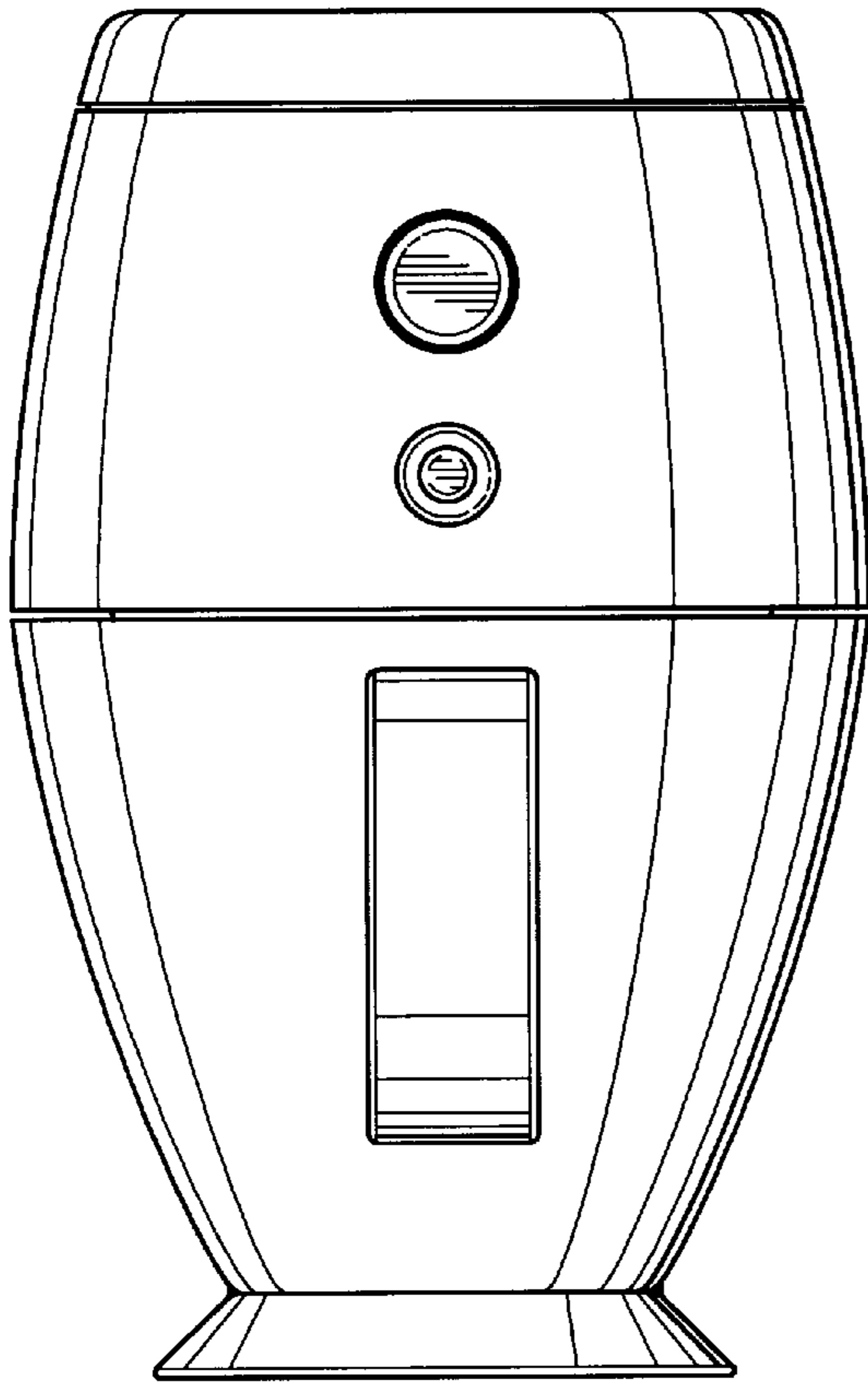


Fig. 7

