



US00D423869S

United States Patent [19]

[11] **Patent Number: Des. 423,869**

Dadez

[45] **Date of Patent: ** May 2, 2000**

[54] **FOOD ROASTER**

238,488 3/1881 Conradt 220/345.2
282,244 7/1883 Vernon 220/632

[76] Inventor: **Jaime G. Dadez**, 749 1/2 W. Pleasant St., Freeport, Ill. 61032

Primary Examiner—Caron D. Veynar
Attorney, Agent, or Firm—Russell Slifer

[**] Term: **14 Years**

[57] CLAIM

[21] Appl. No.: **29/101,699**

The ornamental design for a food roaster, as shown and described.

[22] Filed: **Mar. 9, 1999**

[51] **LOC (7) Cl.** **07-02**

[52] **U.S. Cl.** **D7/354**

[58] **Field of Search** D7/323, 354-361, D7/402, 409; 99/324, 341-347; 220/345.2, 367.1, 573.1, 573.5, 574, 574.2, 912, 632

DESCRIPTION

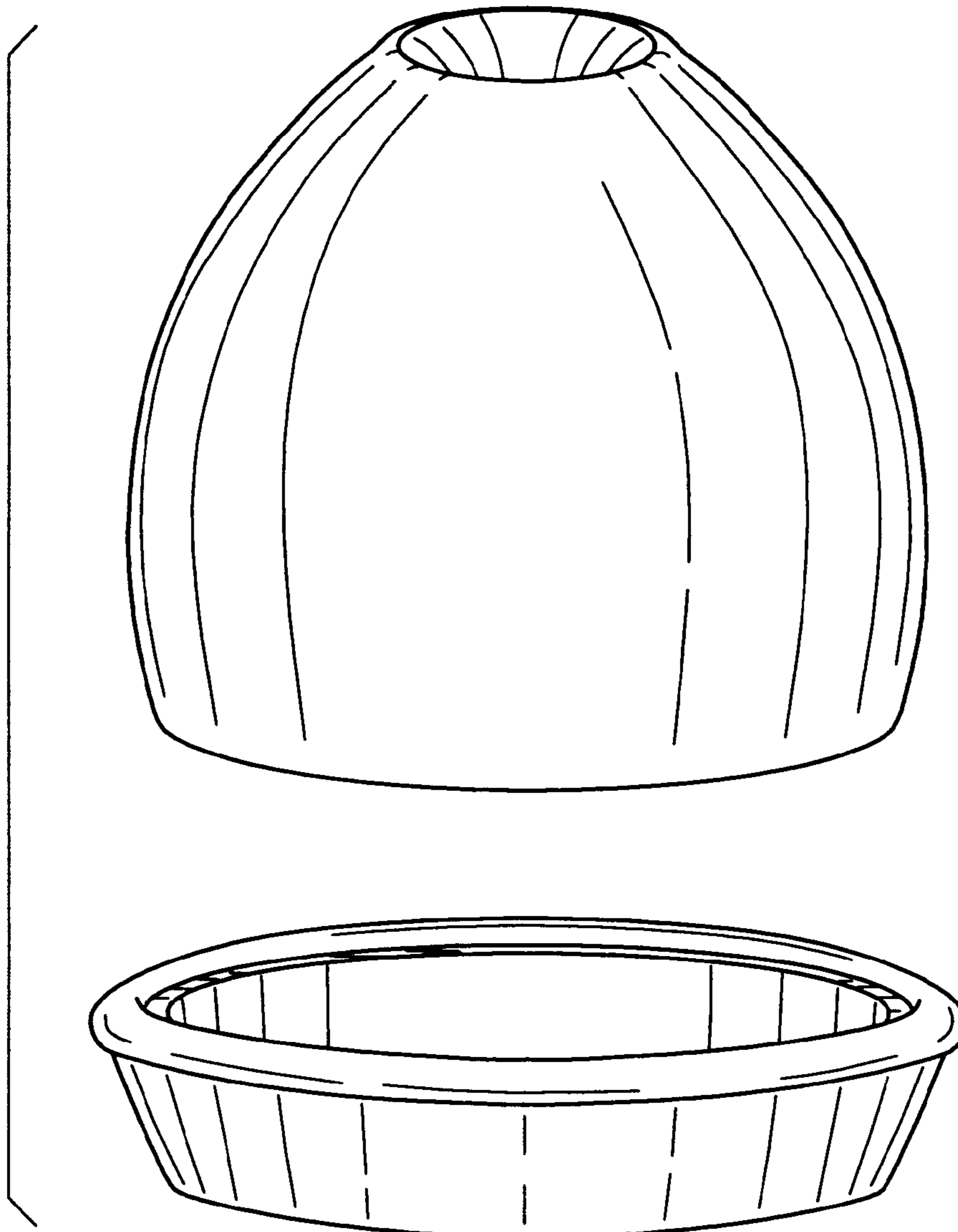
[56] References Cited

FIG. 1 is an exploded perspective view of a food roaster showing my new design;
FIG. 2 is a top view of the top of the food roaster of FIG. 1; and,
FIG. 3 is a top view of the bottom of the food roaster of FIG. 1.

U.S. PATENT DOCUMENTS

D. 187,809 5/1960 Lundberg D7/360

1 Claim, 2 Drawing Sheets



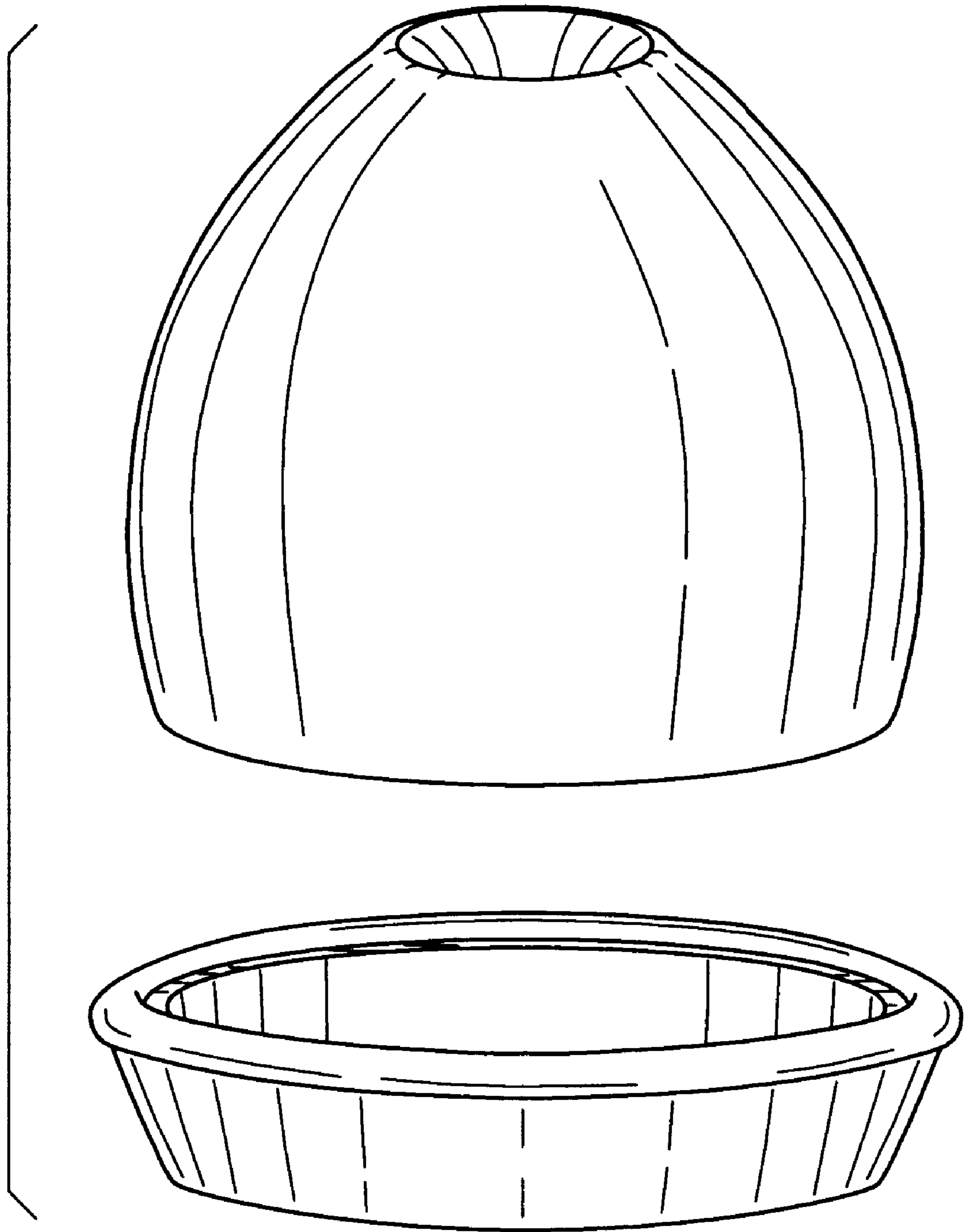


FIG. 1

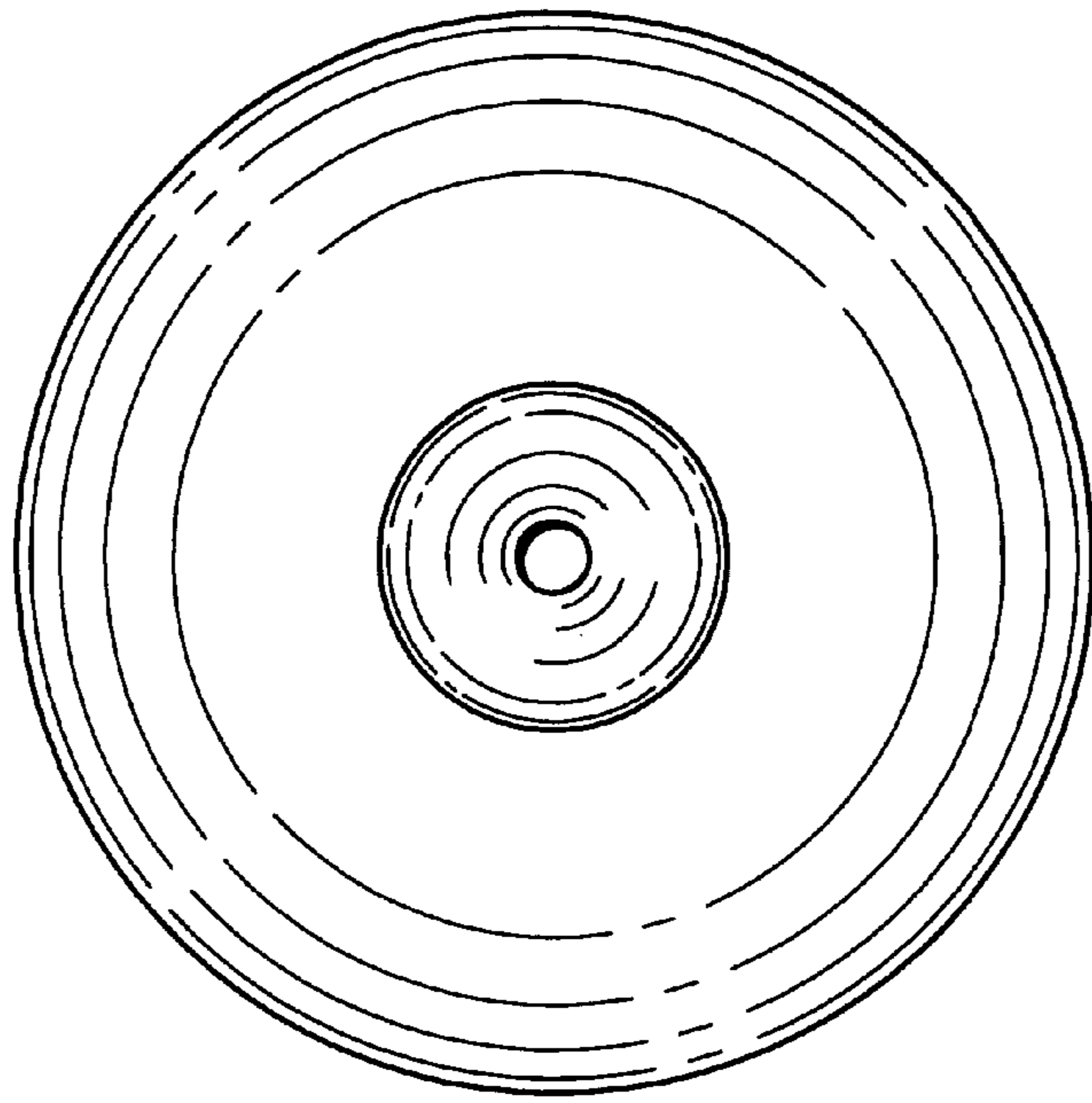


FIG. 2

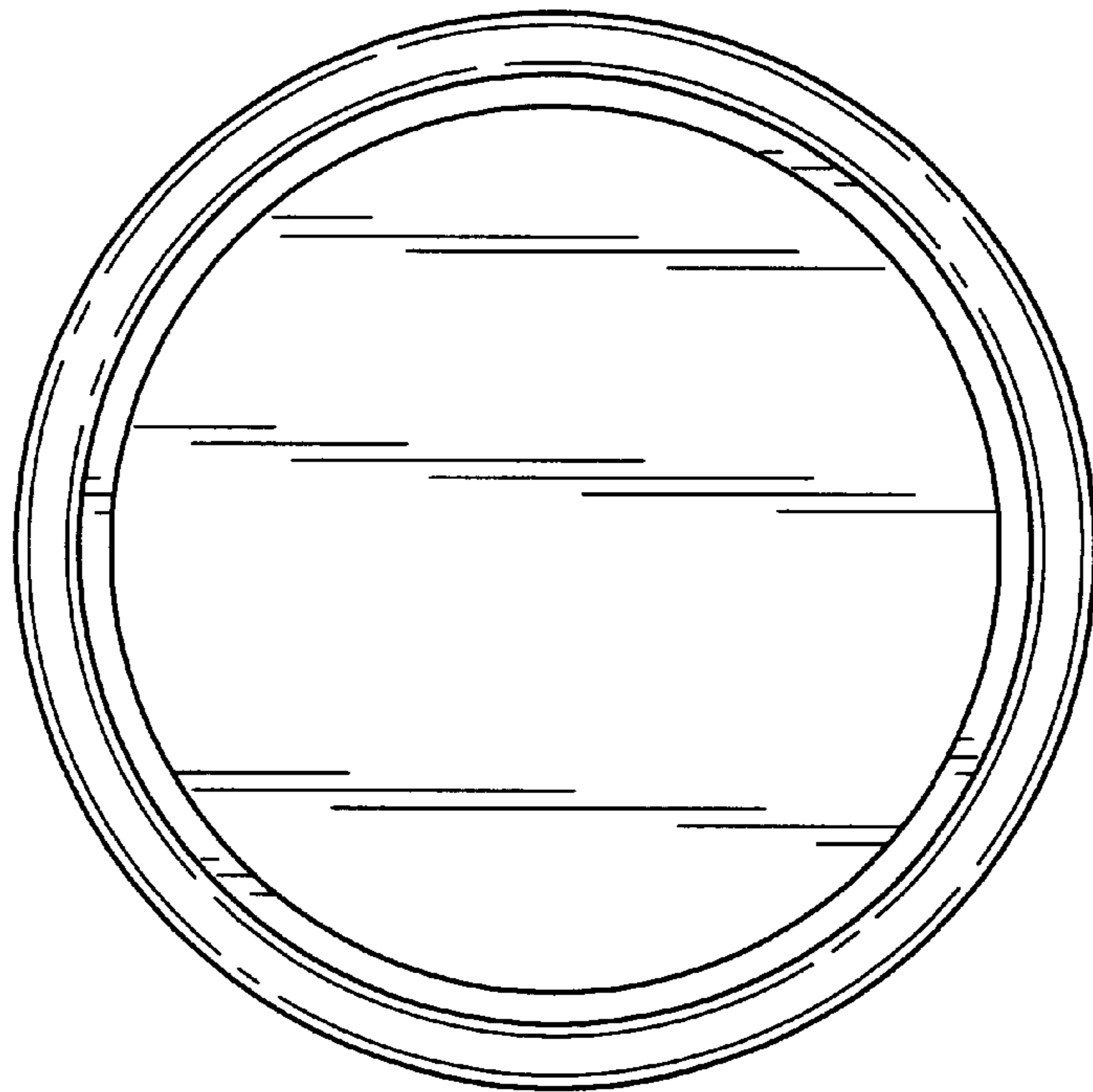


FIG. 3