



US00D423865S

United States Patent [19]

Gaynor et al.

[11] Patent Number: Des. 423,865

[45] Date of Patent: ** May 2, 2000

[54] TWO SLOT TOASTER

[75] Inventors: James R. Gaynor; Anthony V. Cruz; John D. Barnes, all of Richmond; Elizabeth A. Byrne, Mechanicsville, all of Va.

[73] Assignee: Hamilton Beach/Proctor-Silex, Inc., Glen Allen, Va.

[**] Term: 14 Years

[21] Appl. No.: 29/098,857

[22] Filed: Jan. 7, 1999

[51] LOC (7) Cl. 07-02

[52] U.S. Cl. D7/330

[58] Field of Search D7/323, 328-330, D7/390; 99/328, 372, 385, 389

[56] References Cited

U.S. PATENT DOCUMENTS

D. 187,836	5/1960	Moore	D7/330
D. 189,440	12/1960	Knapp	D7/330
D. 338,368	8/1993	Naft et al.	D7/330
D. 367,990	3/1996	Roze	D7/330
D. 378,971	4/1997	Cruz	D7/330
D. 386,935	12/1997	Pena Angarita	D7/330
D. 404,243	1/1999	Saltet	D7/330
D. 414,373	9/1999	Cruz	D7/330

OTHER PUBLICATIONS

Front and rear cover and p. 9 of Hamilton Beach/Proctor-Silex catalog published 1992 by Hamilton Beach/Proctor-Silex, Inc.

Photocopies of seven photographs dated Dec. 16, 1997 of "Admiral" toaster admitted to be prior art.

See Information Disclosure Statement regarding offer for sale less than one year before filing date.

Primary Examiner—Caron D. Veynar

Attorney, Agent, or Firm—Roger S. Dybvig

[57] CLAIM

The ornamental design for two slot toaster, as shown and described.

DESCRIPTION

FIG. 1 is a perspective view as seen from the top, front, and right side of a first embodiment of a two slot toaster showing our new design;

FIG. 2 is a front elevational view thereof;

FIG. 3 is a rear elevational view thereof;

FIG. 4 is a top plan view thereof;

FIG. 5 is a bottom plan view thereof;

FIG. 6 is a right side elevational view thereof, the left side elevational view being a mirror image of the right side elevational view;

FIG. 7 is a perspective view as seen from the top, front, and right side of a second embodiment of a two slot toaster showing our new design;

FIG. 8 is a front elevational view thereof;

FIG. 9 is a rear elevational view thereof;

FIG. 10 is a top plan view thereof;

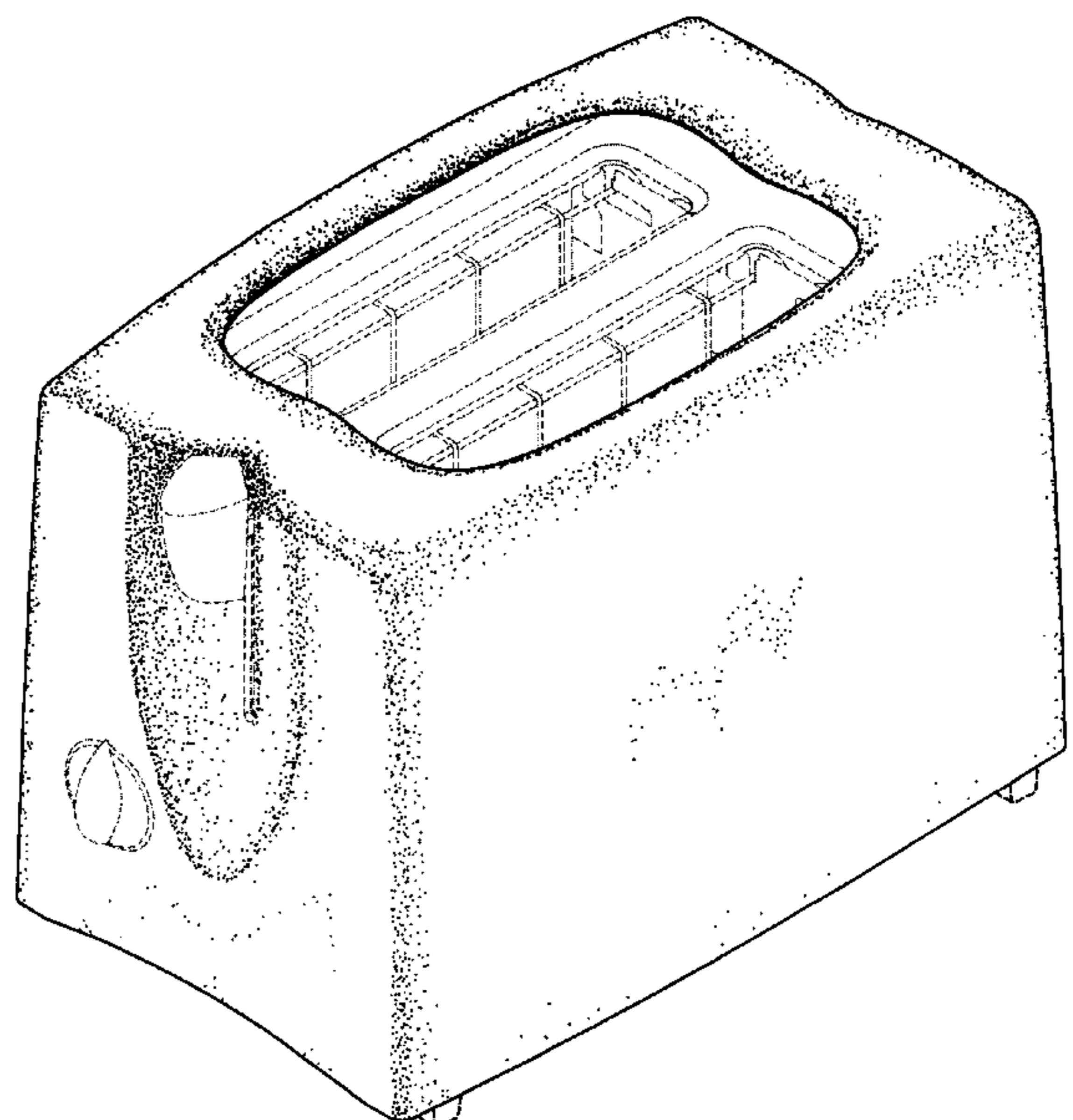
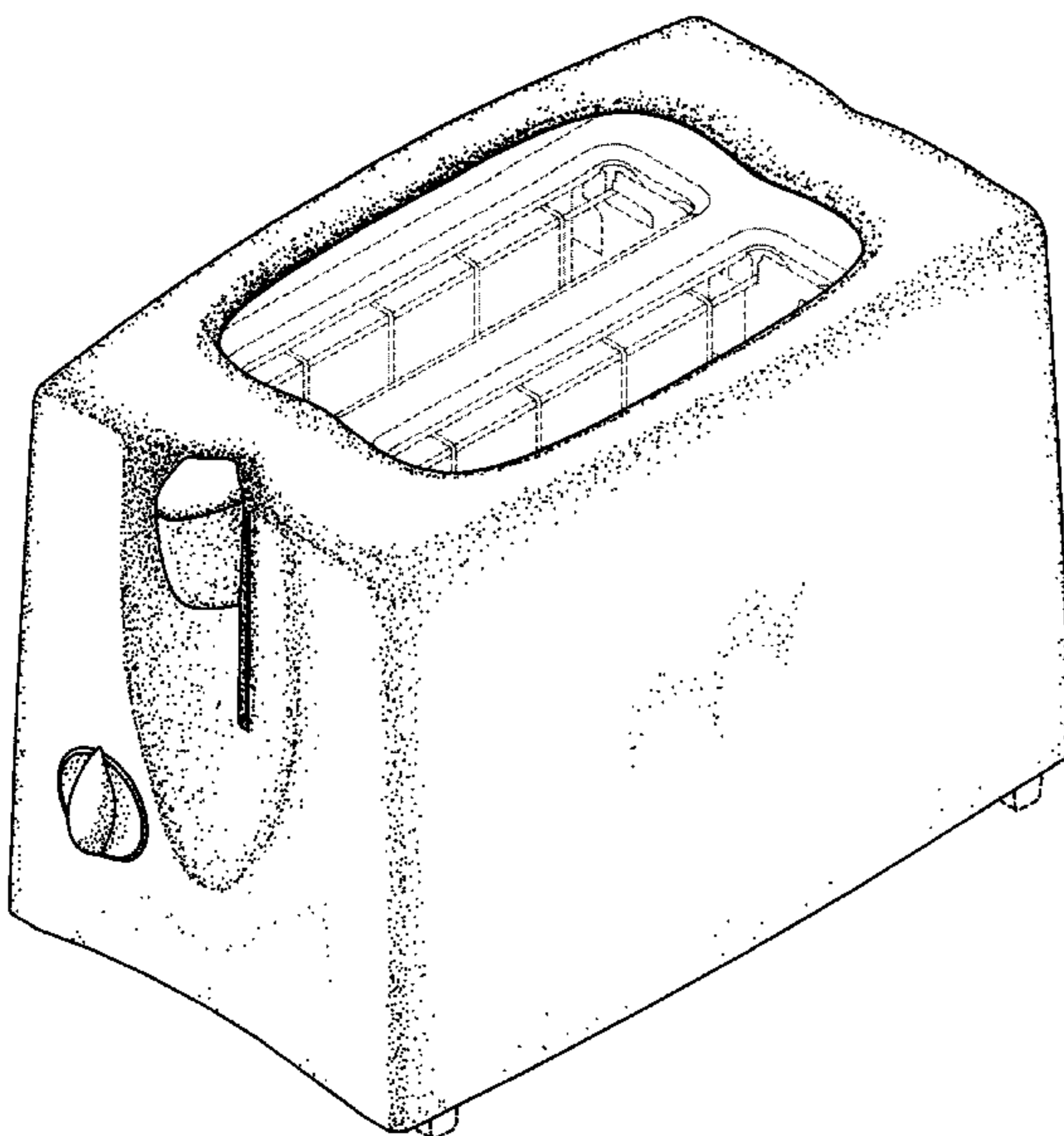
FIG. 11 is a bottom plan view thereof; and,

FIG. 12 is a right side elevational view thereof, the left side elevational view being a mirror image of the right side elevational view.

The broken lines in FIGS. 1 through 6 representing the feet, the toaster slots, the grill members, the bread lifters, and the toaster undercarriage of the first embodiment of our two slot toaster are used for illustrative purposes only and forms no part of the claimed design.

The broken lines in FIGS. 7 through 12 representing the feet, the toaster slots, the grill members, the bread lifters, the bread lifter knob, the bread lifter slot, the color control knob, the cord lock, the mounting slots, and the toaster undercarriage of the second embodiment of our two slot toaster are used for illustrative purposes only and form no part of the claimed design.

1 Claim, 4 Drawing Sheets



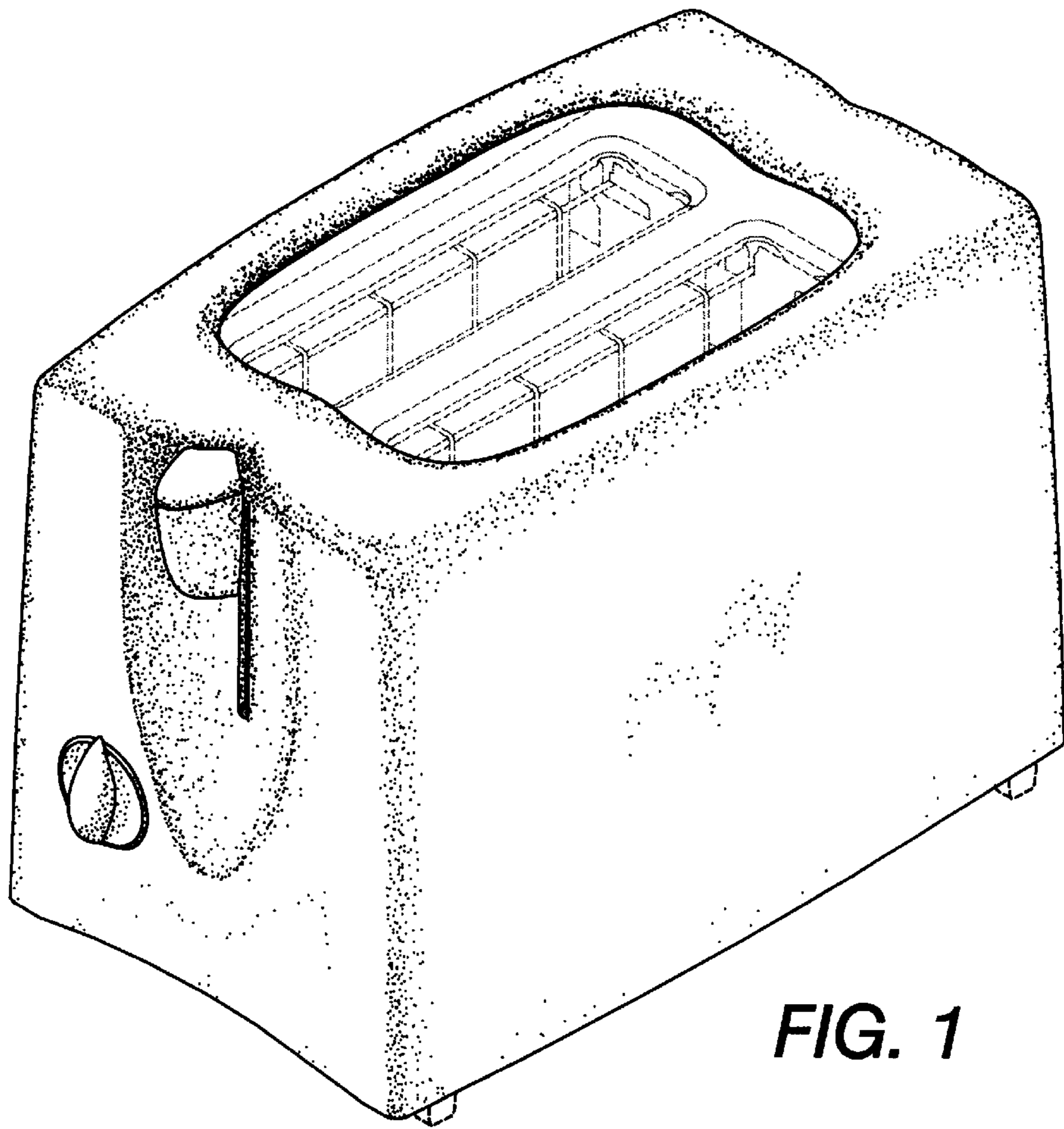


FIG. 1

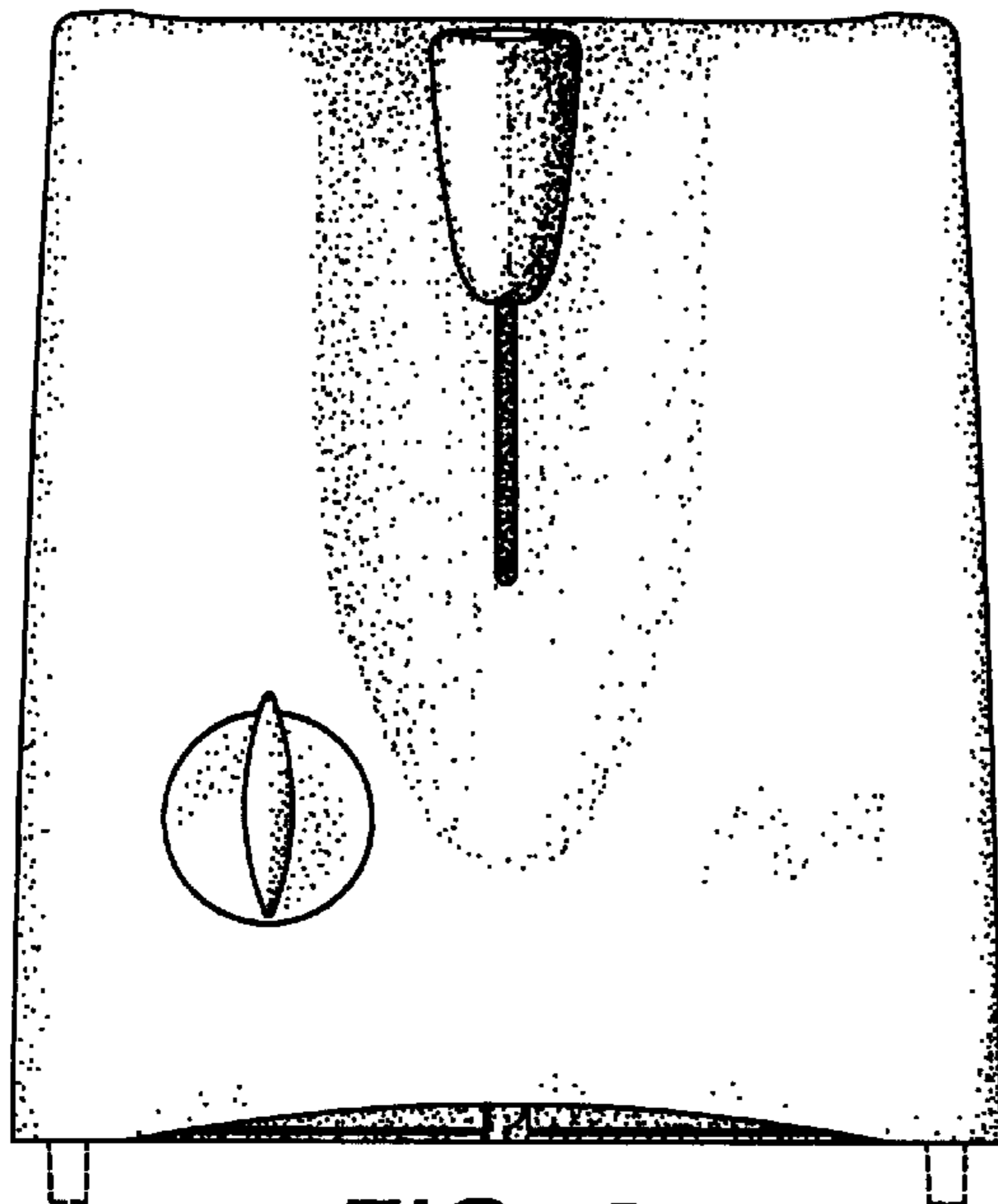


FIG. 2

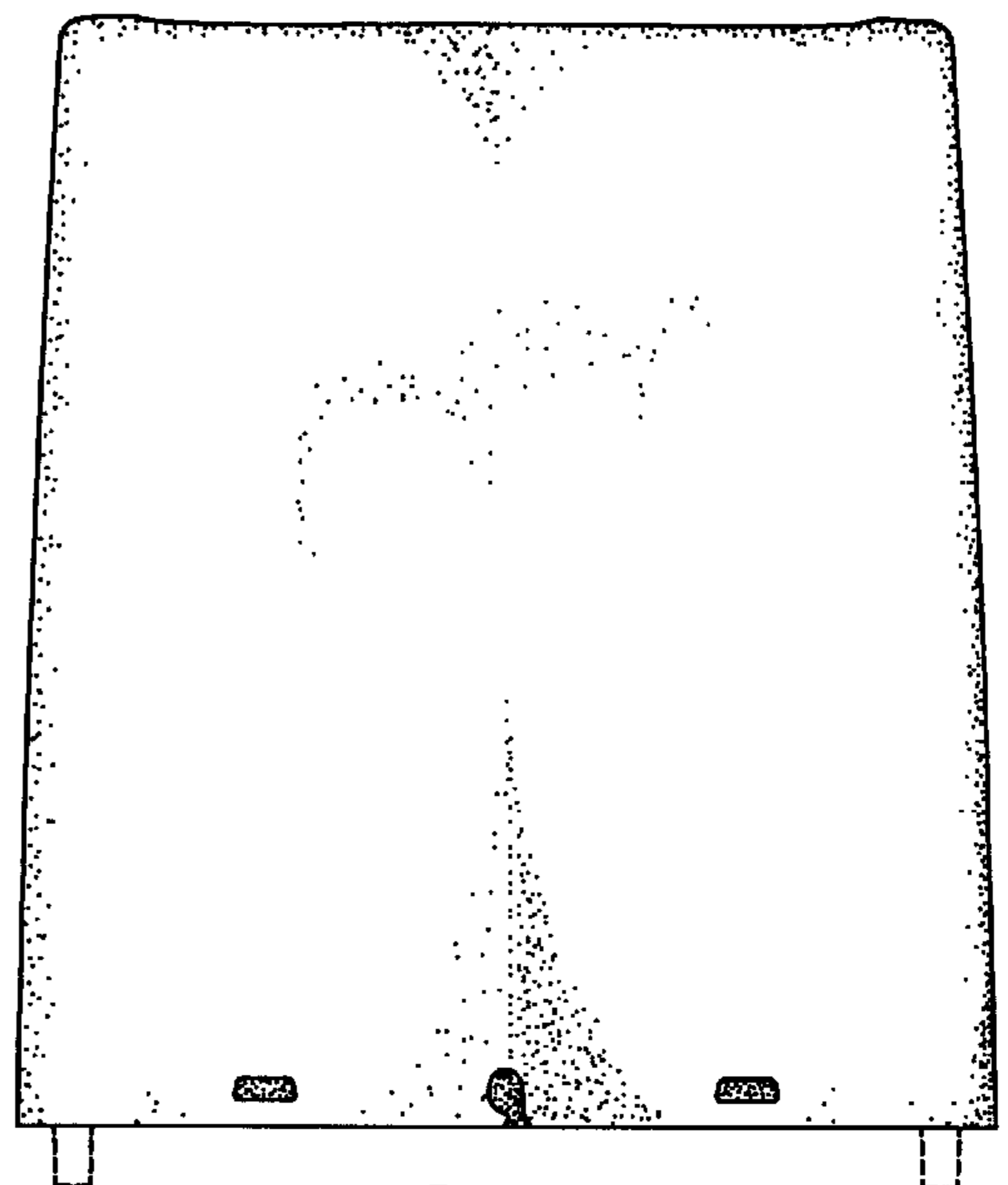


FIG. 3

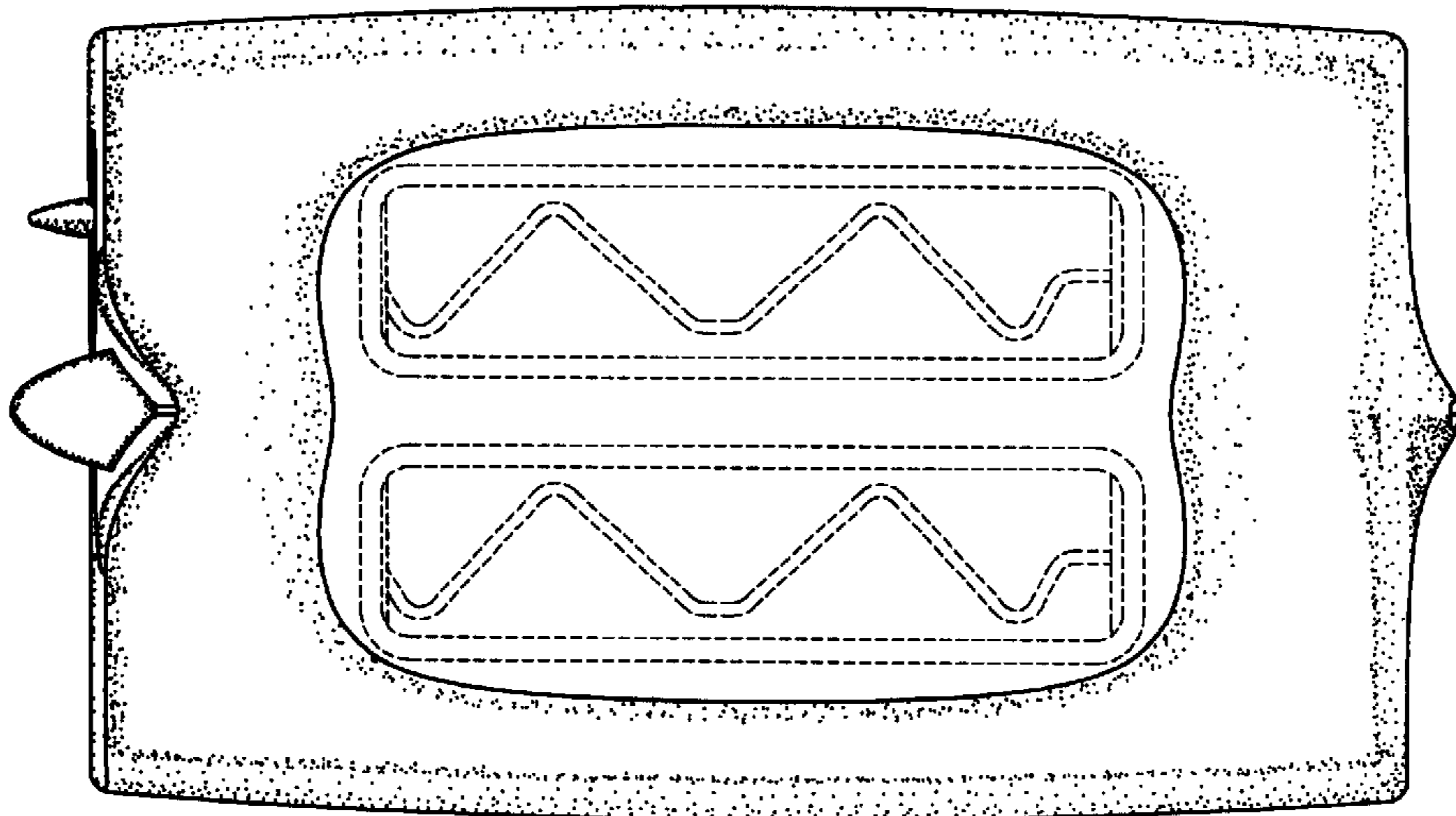


FIG. 4

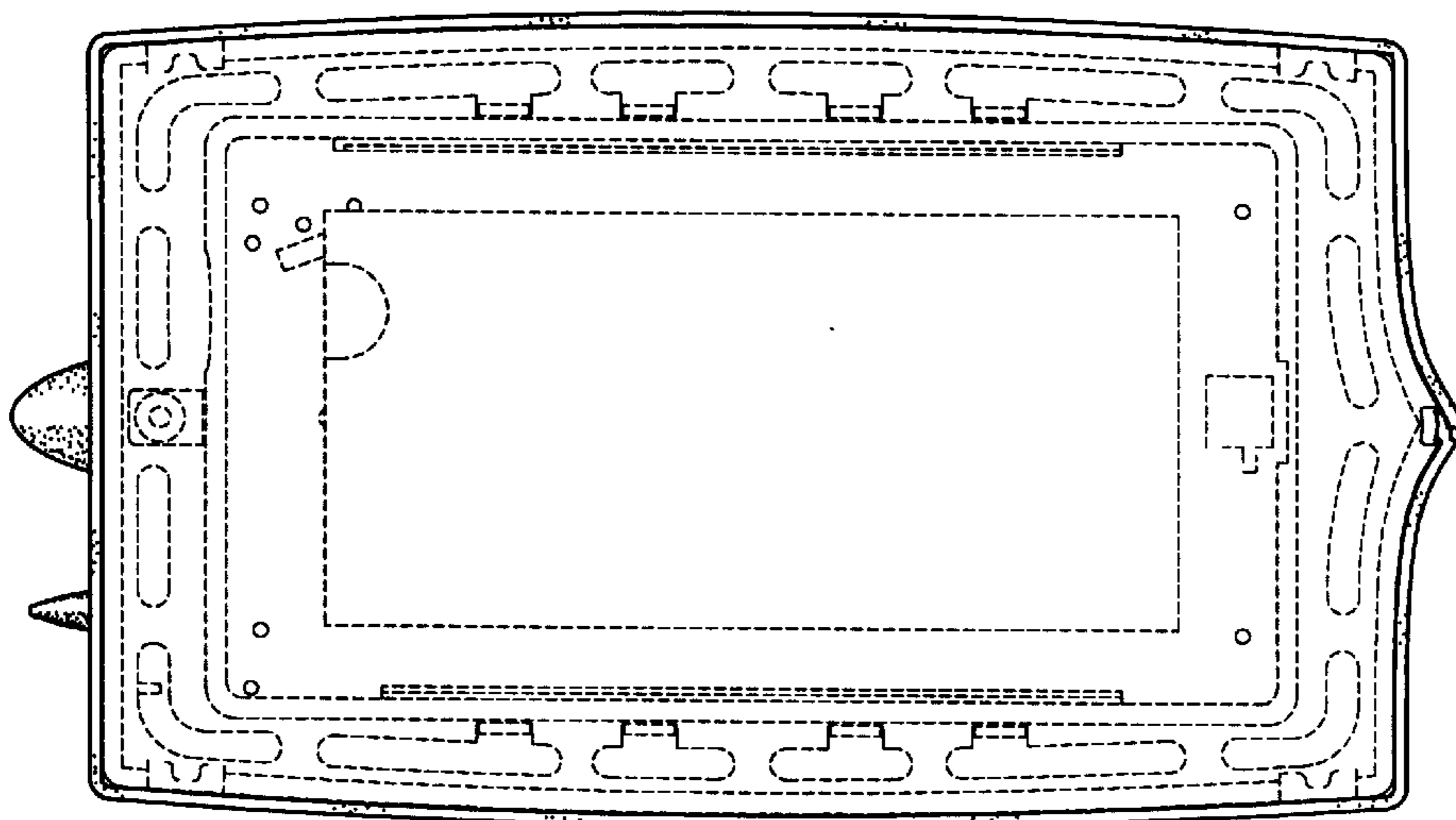


FIG. 5

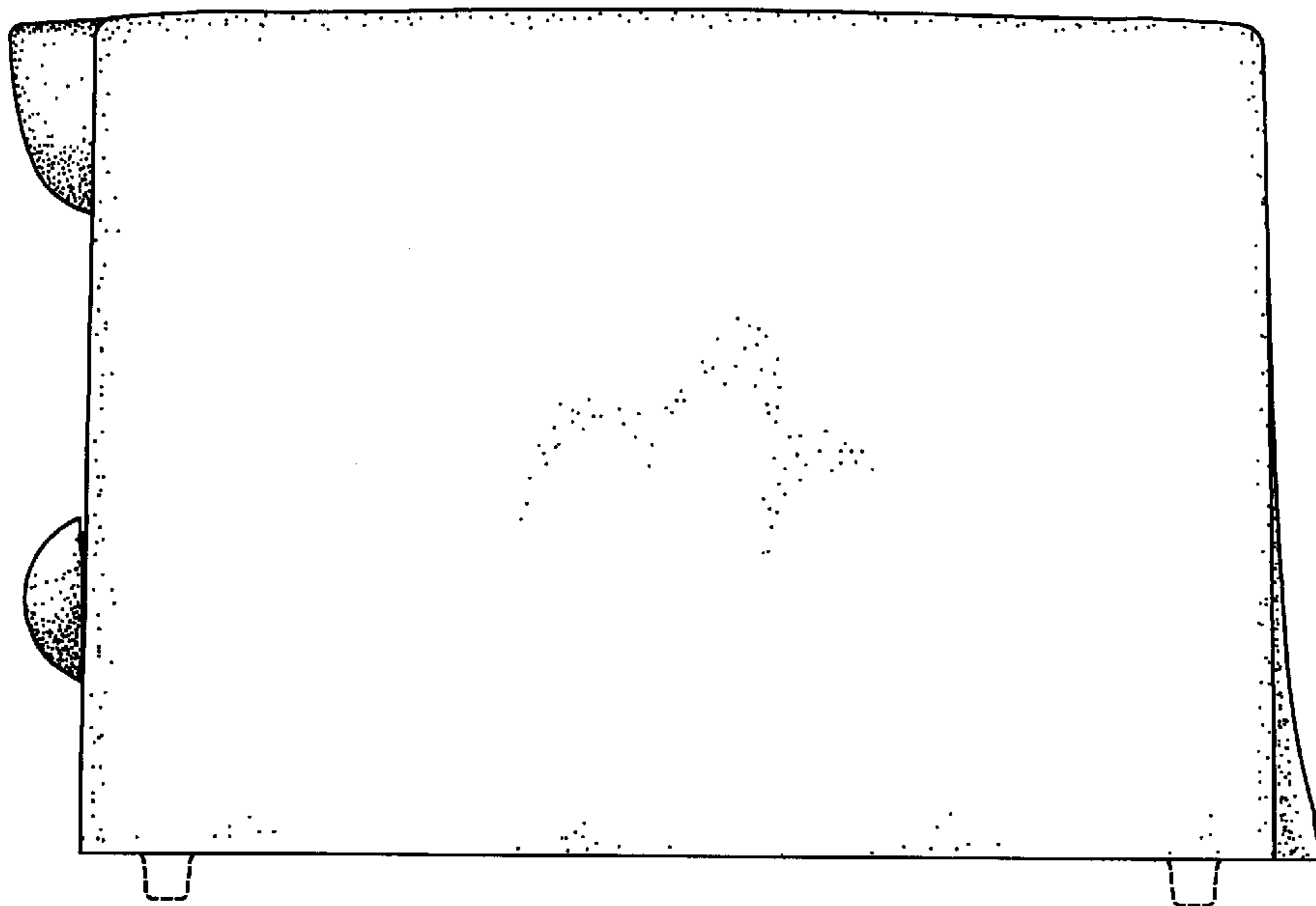


FIG. 6

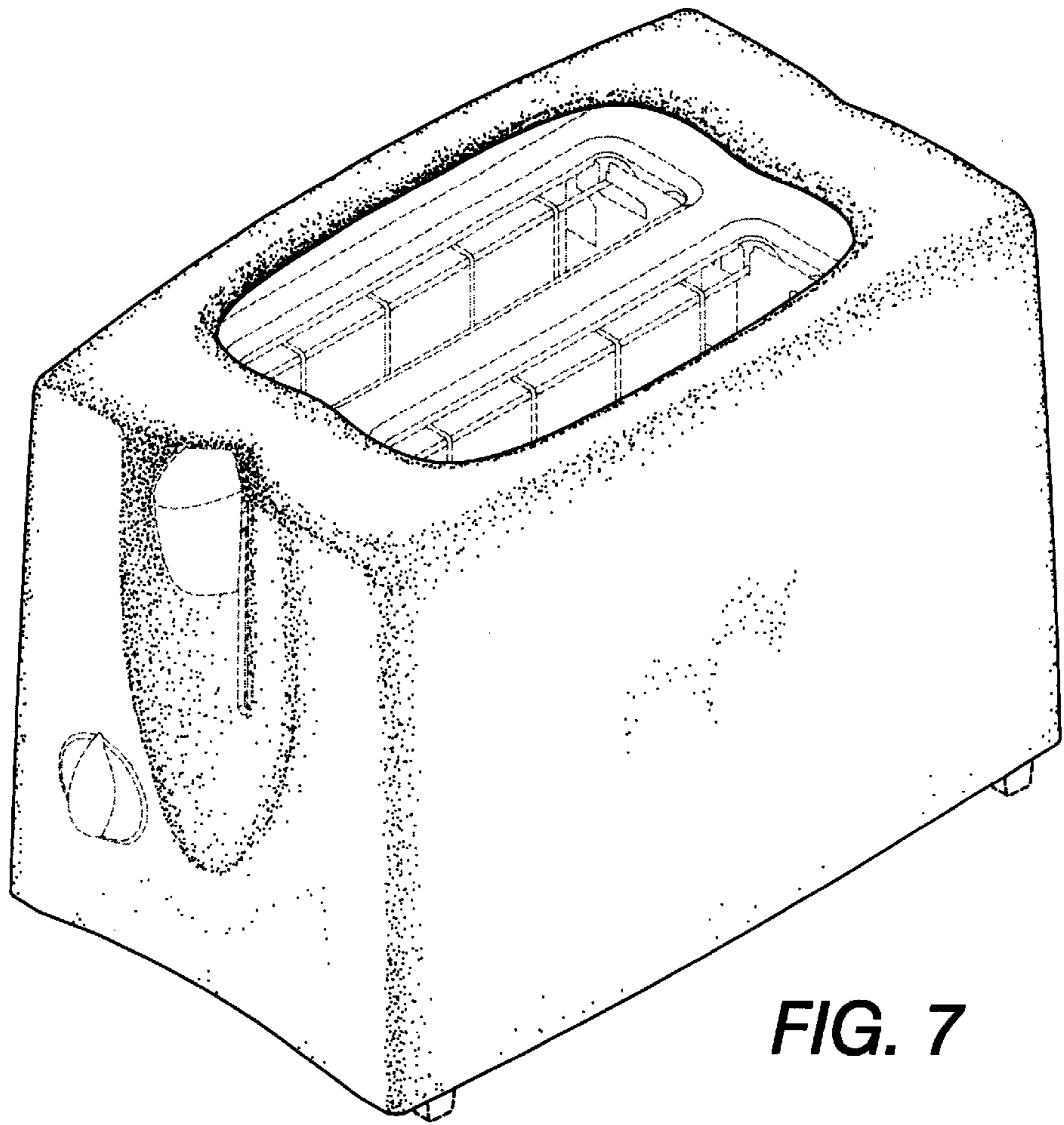


FIG. 7

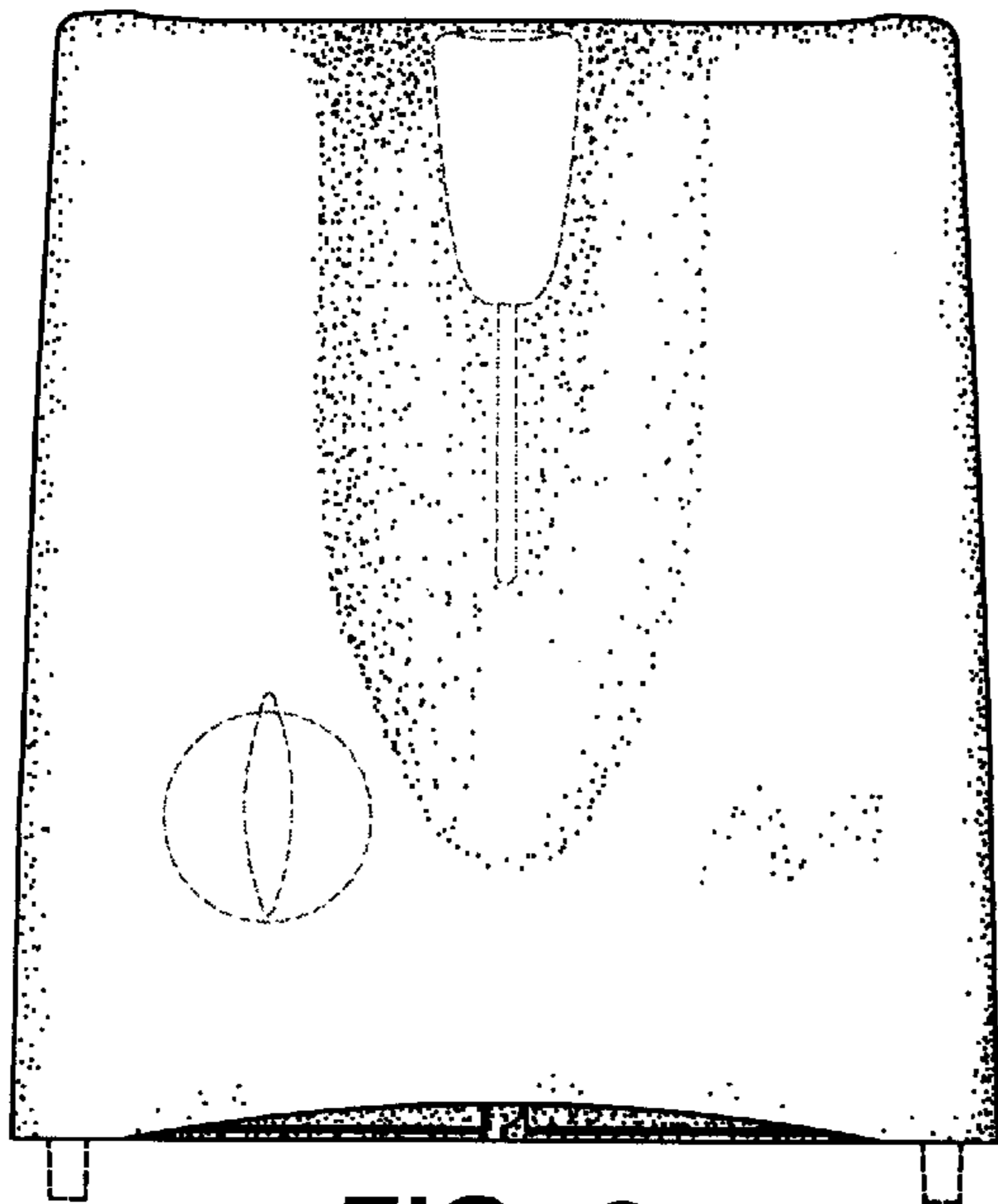


FIG. 8

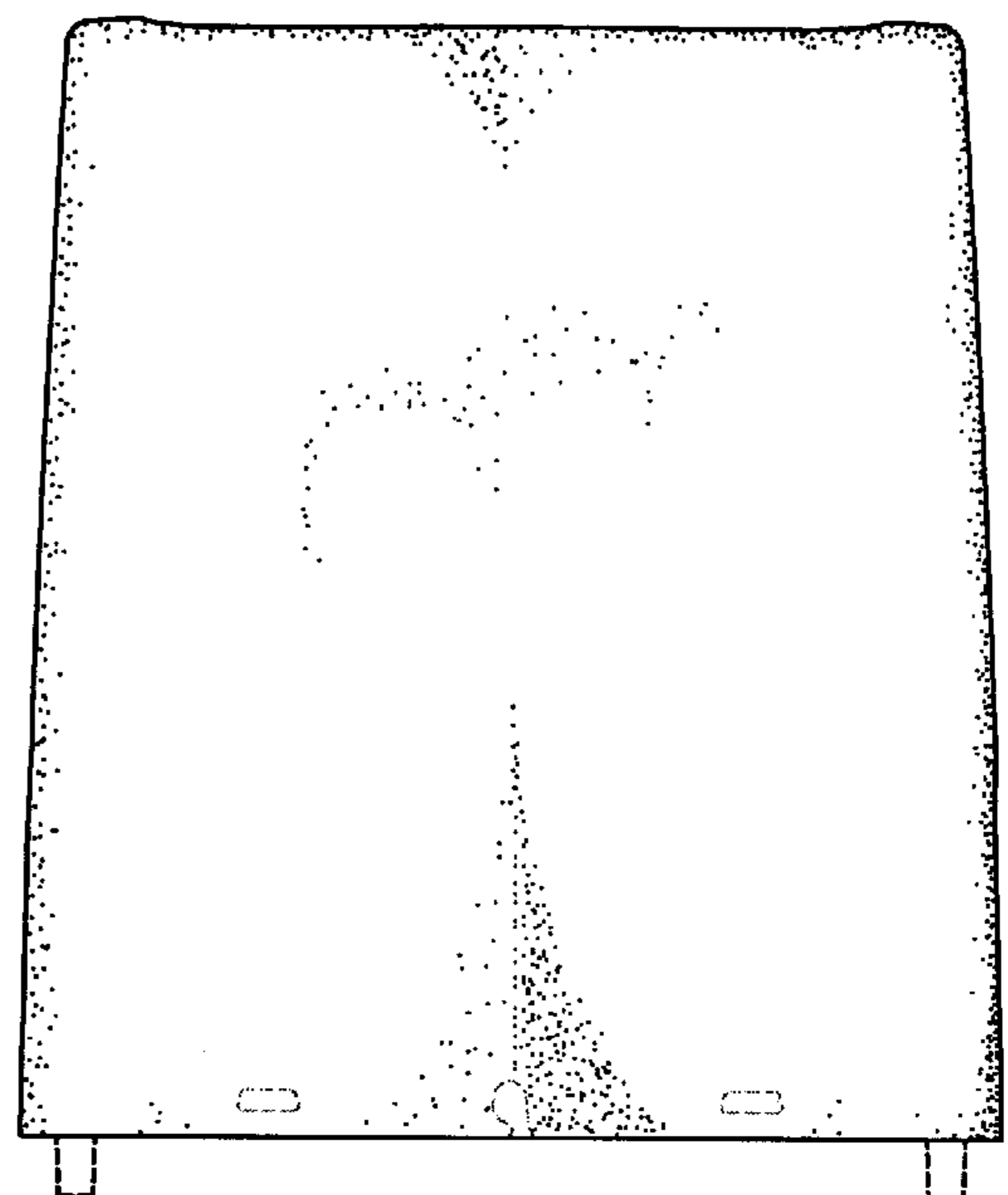


FIG. 9

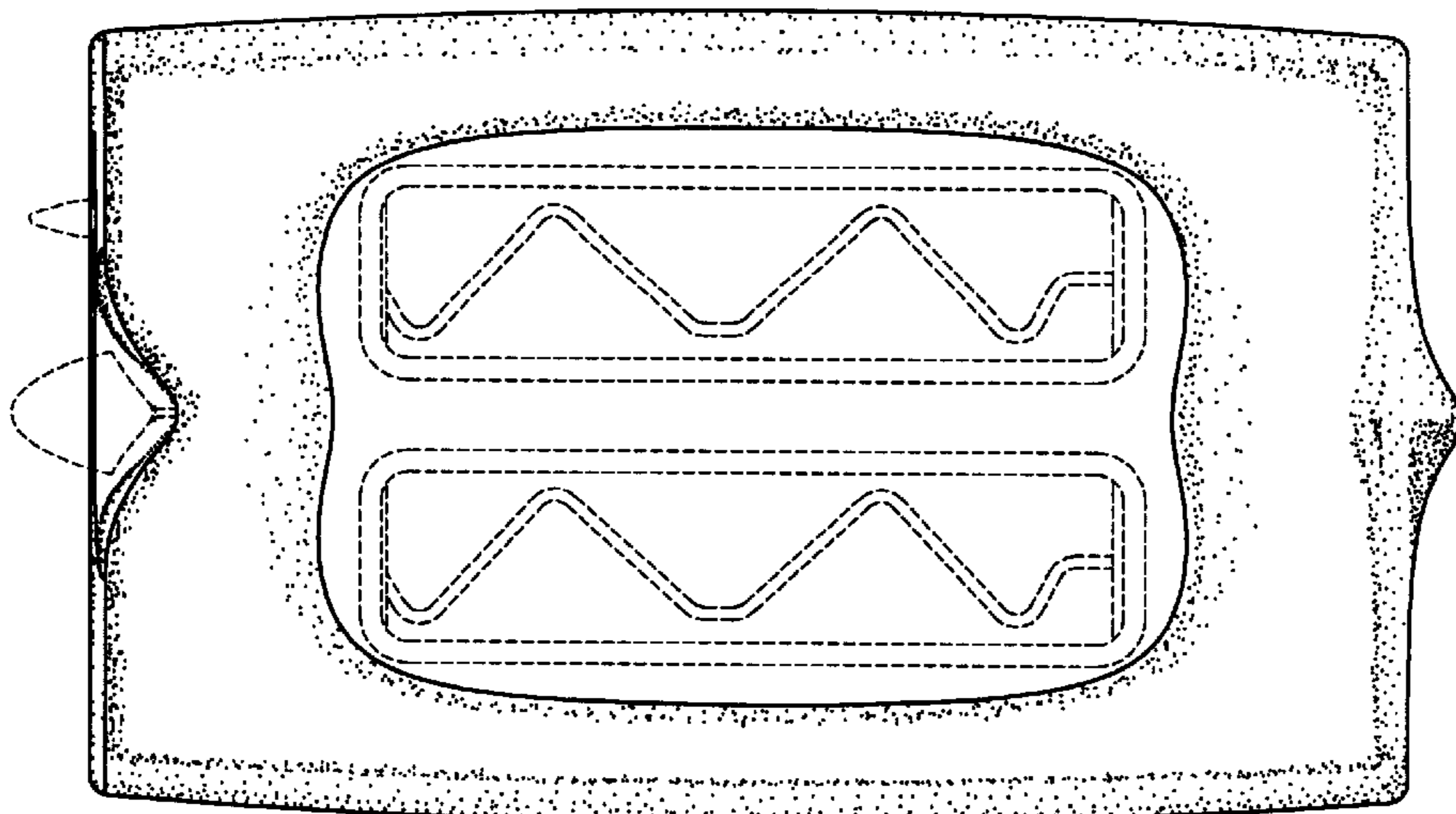


FIG. 10

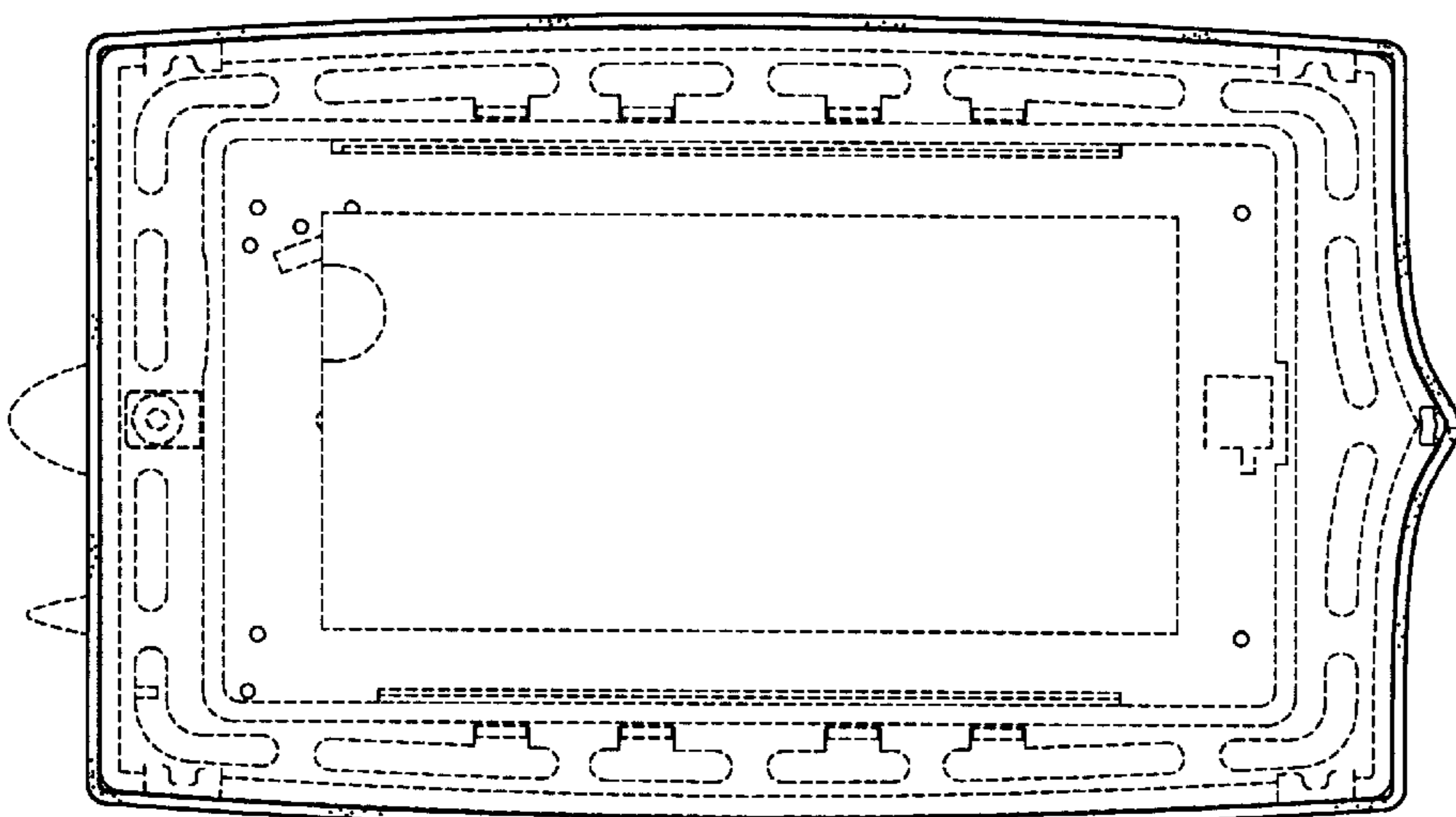


FIG. 11



FIG. 12