



US00D423863S

United States Patent [19] Lupi

[11] **Patent Number: Des. 423,863**

[45] **Date of Patent: ** May 2, 2000**

[54] **COFFEE MAKER**

[75] Inventor: **Giampietro Lupi**, Cocquio Trevisago, Italy

[73] Assignee: **Tuttoespresso S.p.A.**, Italy

[**] Term: **14 Years**

[21] Appl. No.: **29/111,838**

[22] Filed: **Oct. 5, 1999**

[30] **Foreign Application Priority Data**

Apr. 12, 1999 [XH] Hague Agreement DM047443

[51] **LOC (7) Cl.** **07-01**

[52] **U.S. Cl.** **D7/309; D7/310; D7/311**

[58] **Field of Search** **D7/305, 300, 309, D7/310, 311, 312; 99/295, 304, 305**

[56] **References Cited**

U.S. PATENT DOCUMENTS

D. 399,385 10/1998 Chong et al. D7/384

D. 407,261 3/1999 Lucas et al. D7/309
D. 413,764 9/1999 Applegate et al. D7/397
D. 417,358 12/1999 Dutruel D7/309

Primary Examiner—M. N. Pandozzi
Attorney, Agent, or Firm—Finley & Berg, L.L.P.

[57] **CLAIM**

The ornamental design for a coffee maker, as shown and described.

DESCRIPTION

FIG. 1 is a front perspective view of the coffee maker showing my new design;

FIG. 2 is a front elevational view thereof;

FIGS. 3 and 4 are right side elevational views thereof;

FIG. 5 is a left side elevational view thereof; and,

FIG. 6 is a rear elevational view thereof.

1 Claim, 3 Drawing Sheets

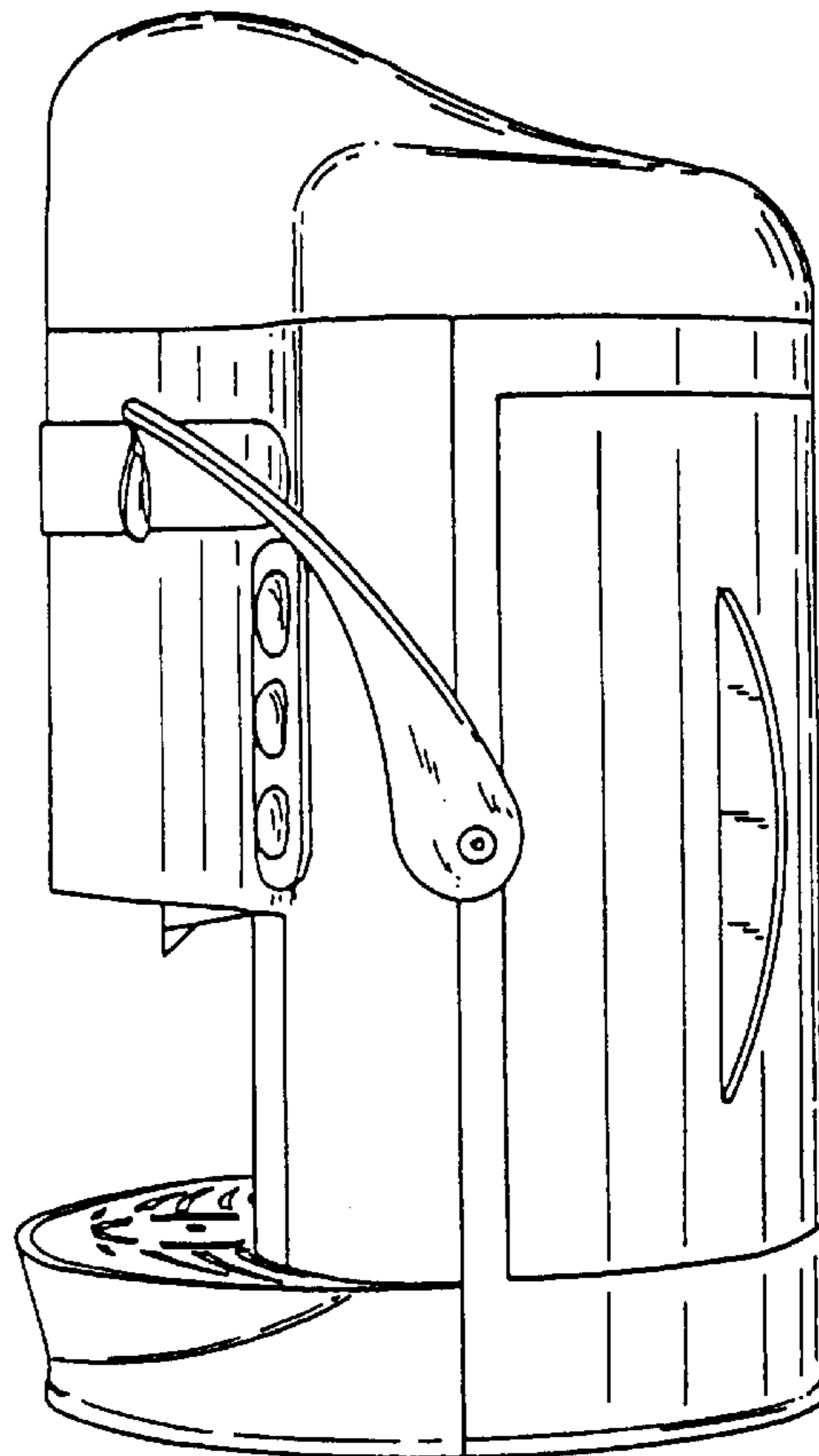
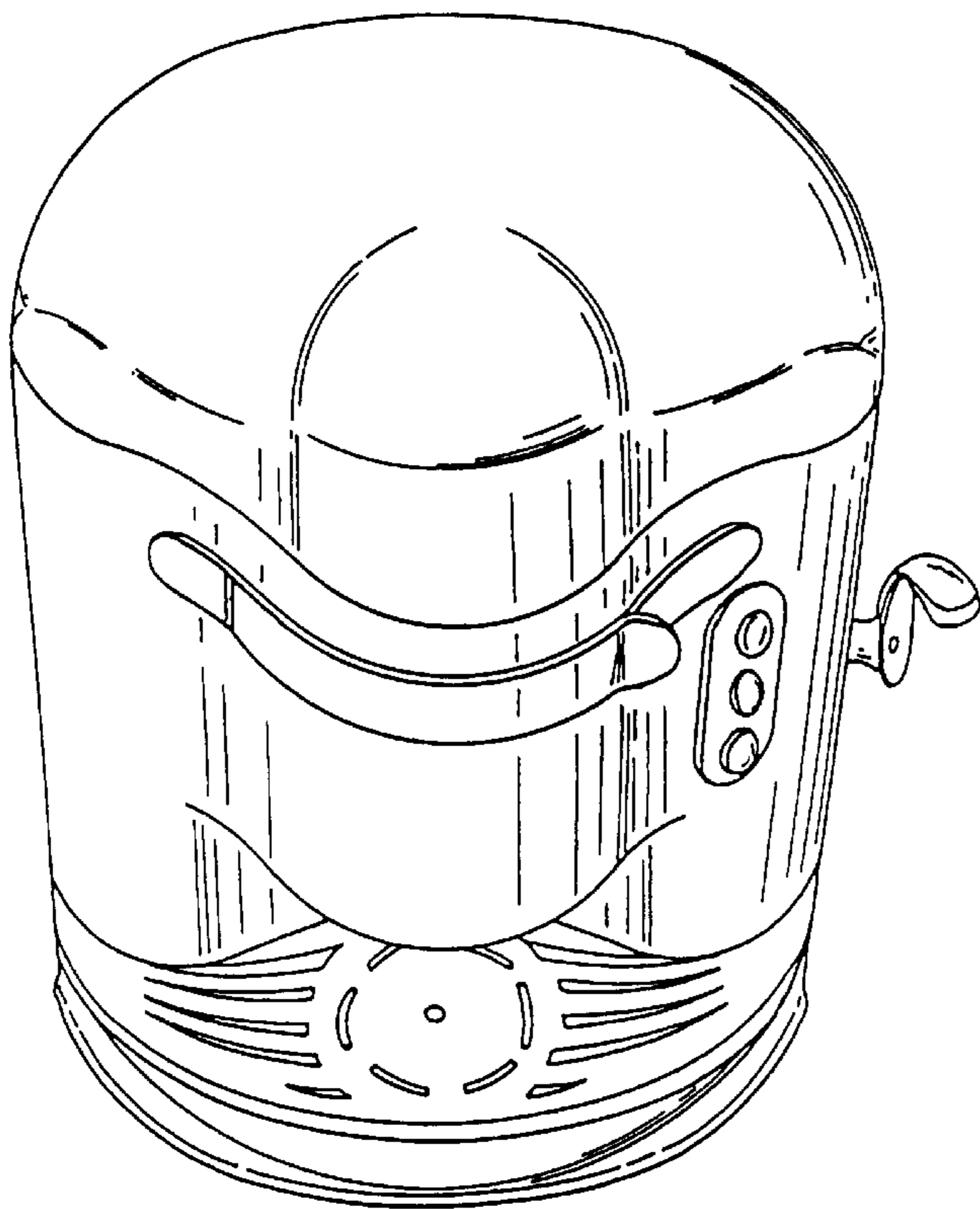


Fig. 2

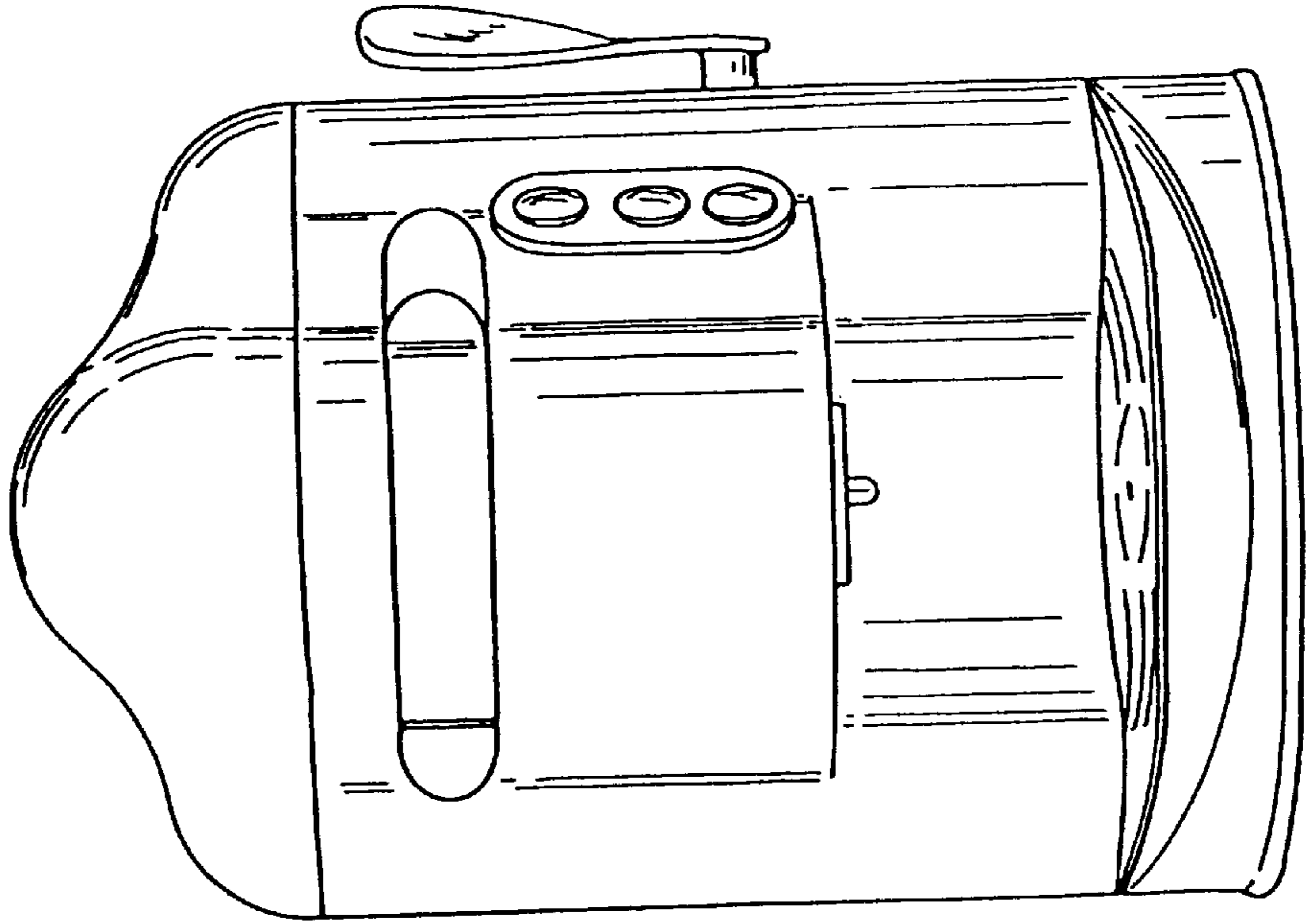


Fig. 1

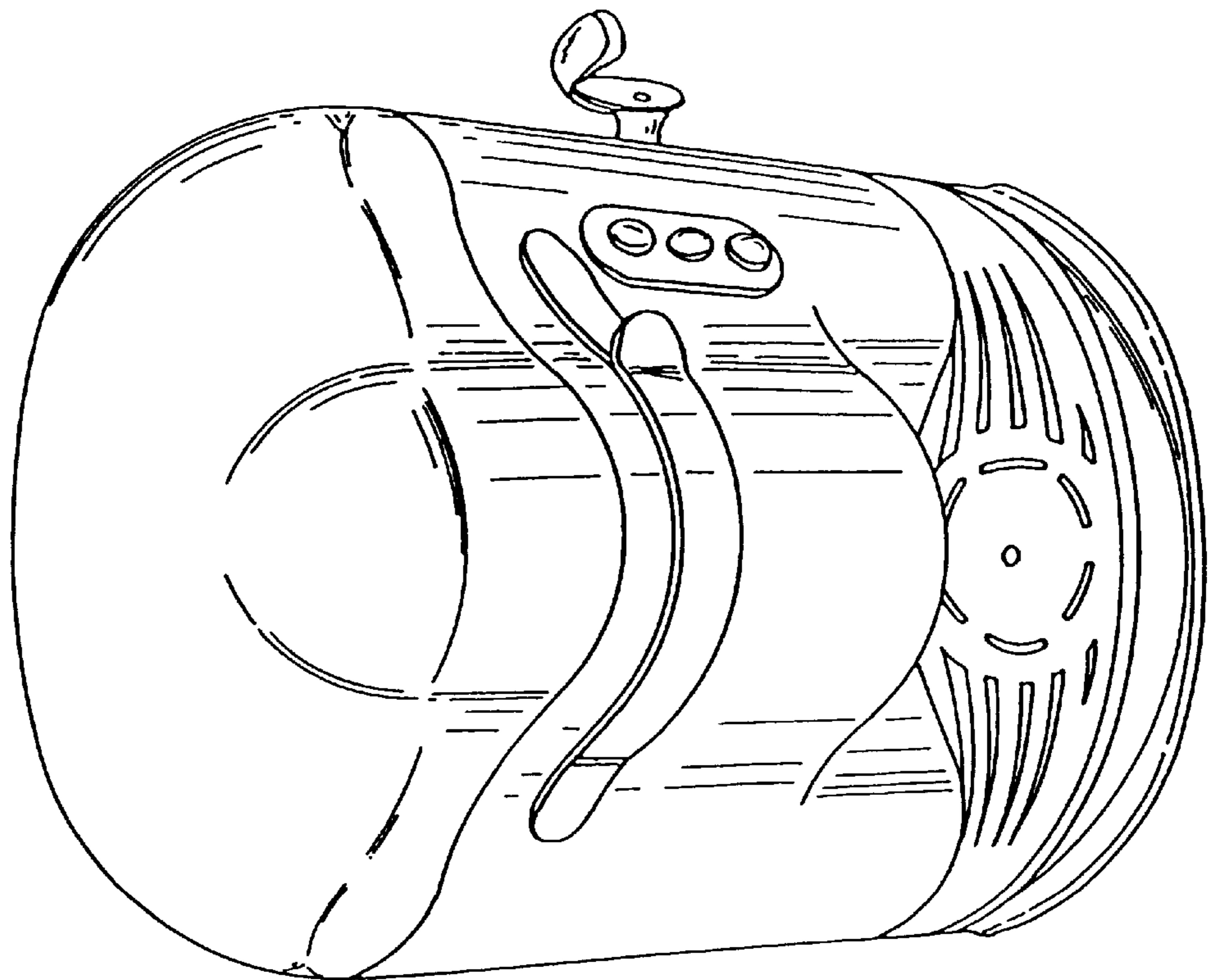


FIG. 4

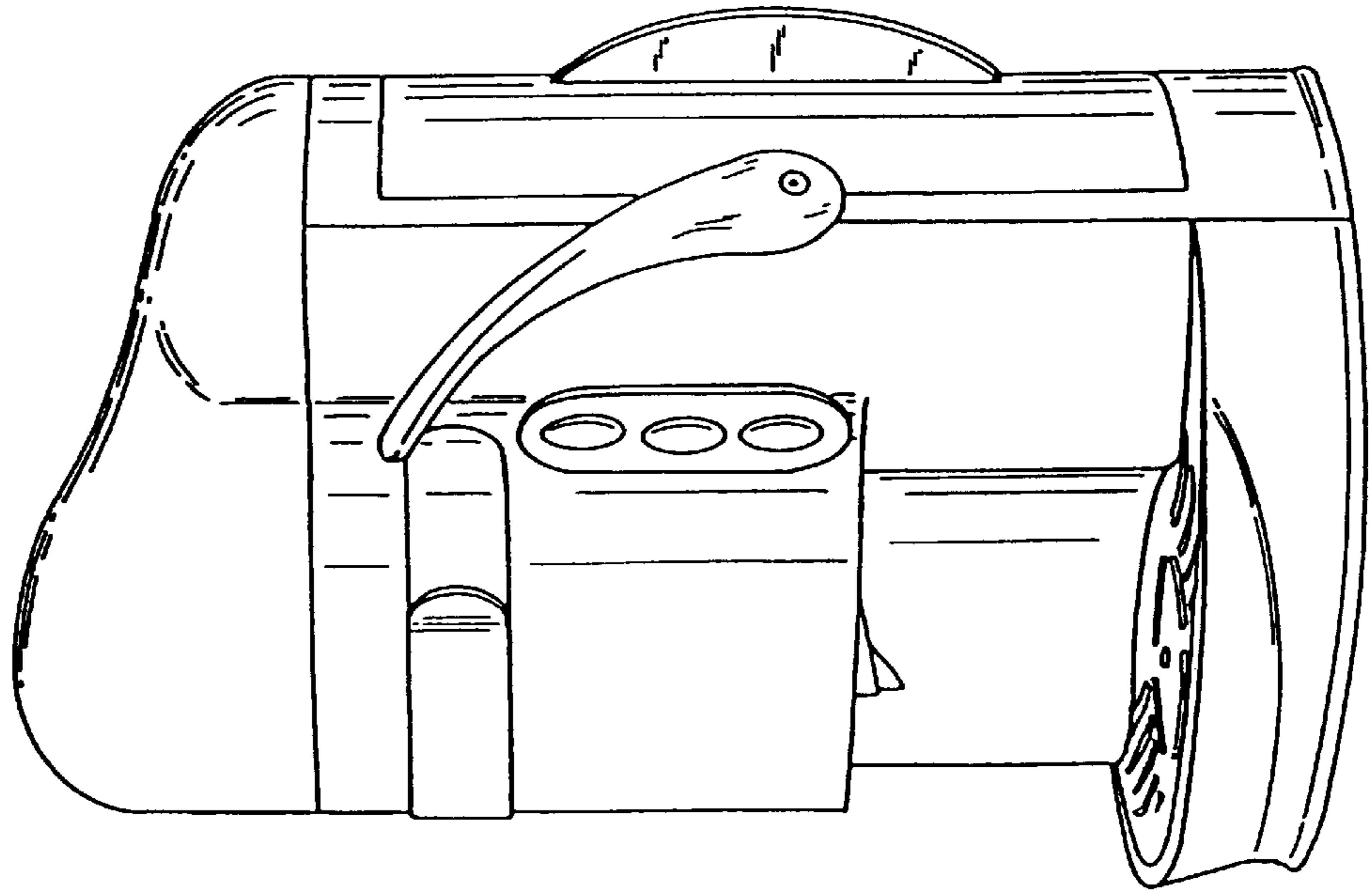


FIG. 3

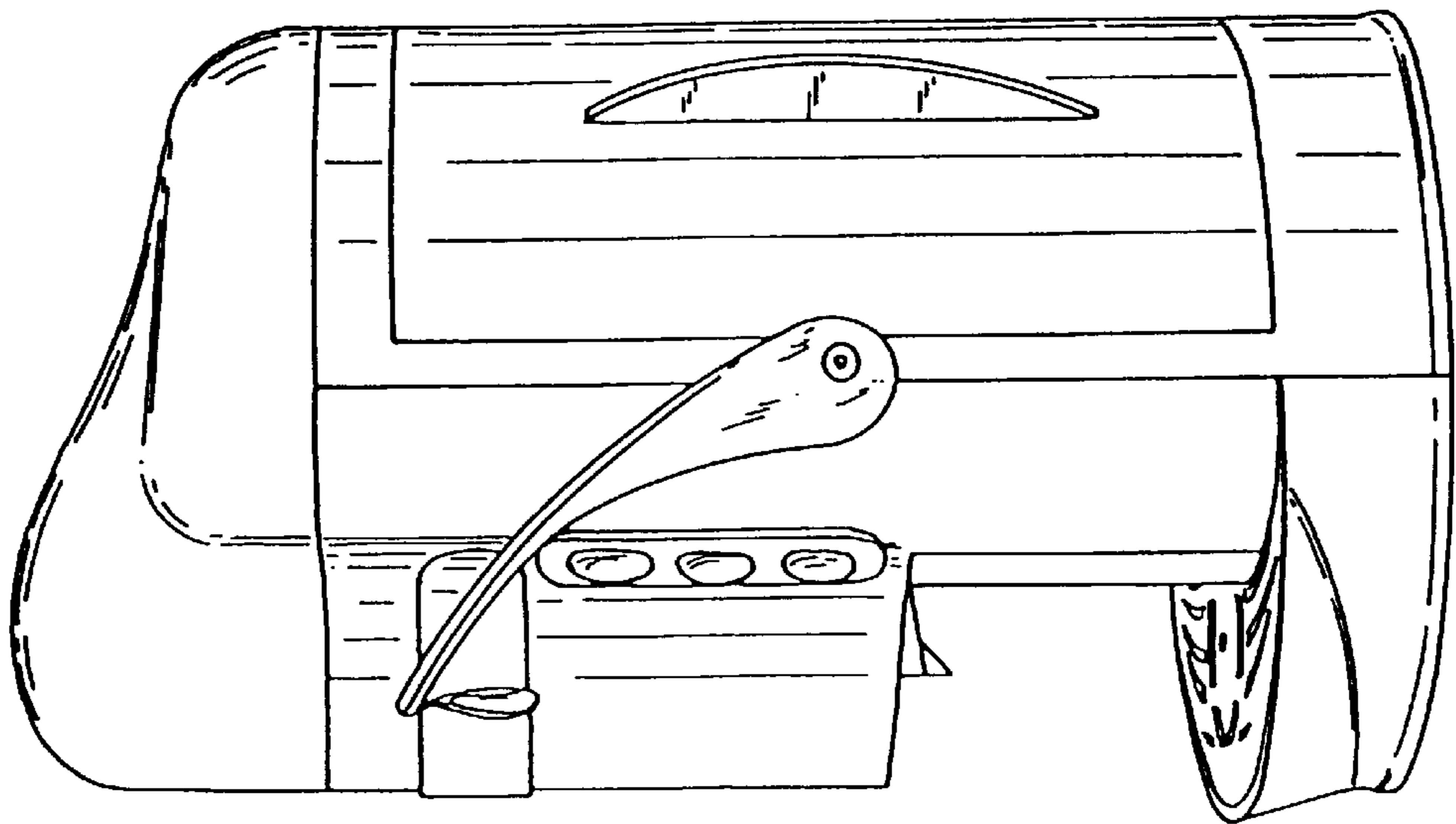


FIG. 6

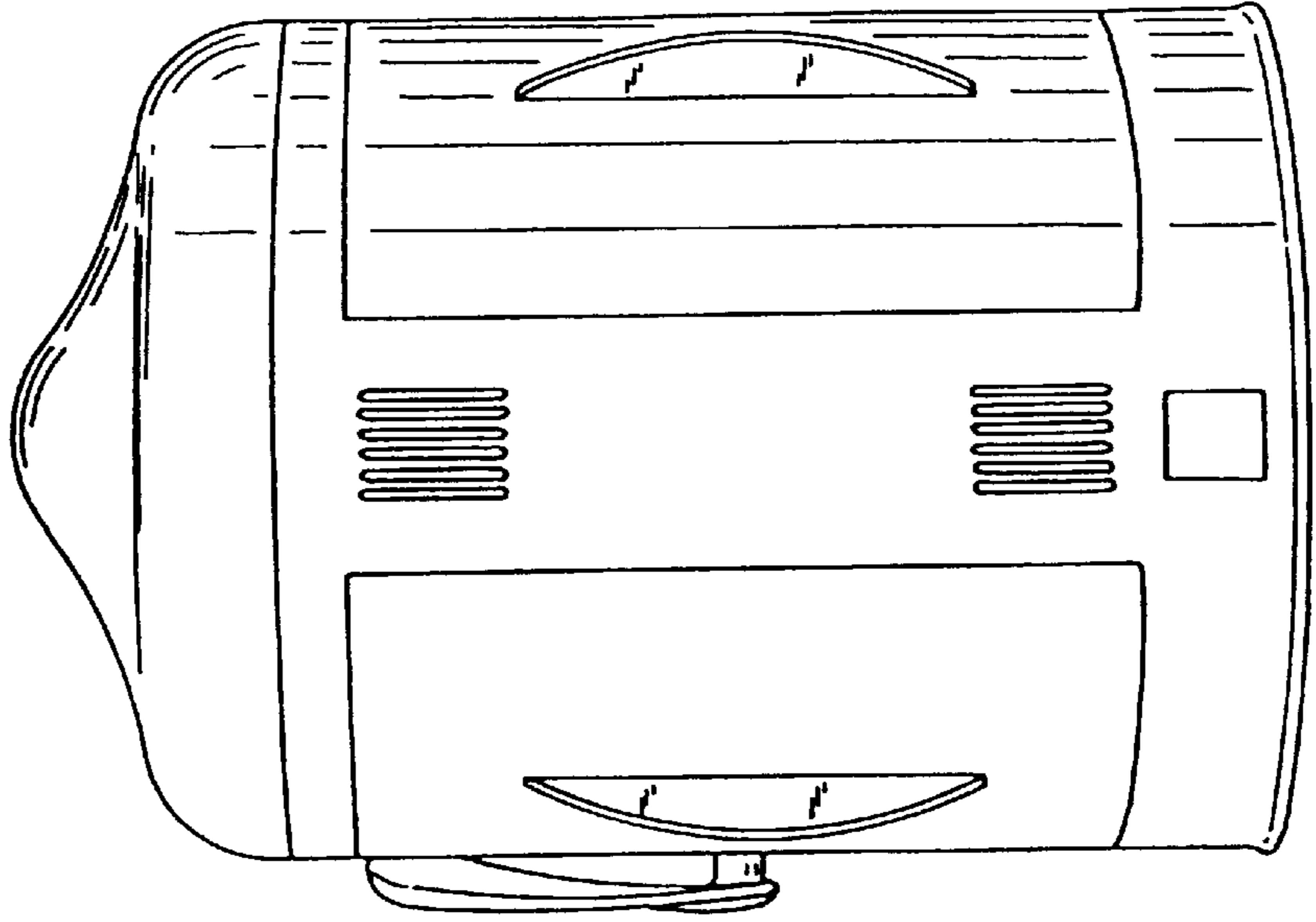


FIG. 5

