



US00D423862S

# United States Patent [19]

Mravlja, Jr. et al.

[11] Patent Number: **Des. 423,862**

[45] Date of Patent: **\*\* May 2, 2000**

[54] **WATER COOLER**

[75] Inventors: **George Mravlja, Jr.; Doug Mowers,**  
both of Worcester, N.Y.

[73] Assignee: **Oxygen8, Inc.,** Jamaica, N.Y.

[\*\*] Term: **14 Years**

[21] Appl. No.: **29/095,689**

[22] Filed: **Oct. 28, 1998**

[51] **LOC (7) Cl.** ..... **07-01**

[52] **U.S. Cl.** ..... **D7/306; D7/305**

[58] **Field of Search** ..... D2/313, 306, 307,  
D2/308, 305, 300, 312, 392, 322, 311;  
D23/209; 222/156, 129.1, 146.6; 150/154;  
D15/81

[56] **References Cited**

**U.S. PATENT DOCUMENTS**

D. 143,887	2/1946	Thompson	.....	D7/306
D. 187,413	3/1960	marsh et al.	.....	D7/308
D. 207,526	4/1967	Martin	.....	D7/306
D. 236,170	7/1975	Birrell	.....	D7/306
D. 271,877	12/1983	Hoff	.....	D15/81
D. 310,612	9/1990	Desrosiers	.....	D7/307

D. 350,453	9/1994	Chaney	.....	D7/306
D. 356,713	3/1995	Groover	.....	D7/306
D. 366,179	1/1996	Hauser, II et al.	.....	D7/307
D. 394,185	5/1998	Eddy et al.	.....	D7/392
5,356,046	10/1994	Burke	.....	222/156

*Primary Examiner*—M. N. Pandozzi  
*Attorney, Agent, or Firm*—Schmeiser, Olson & Watts

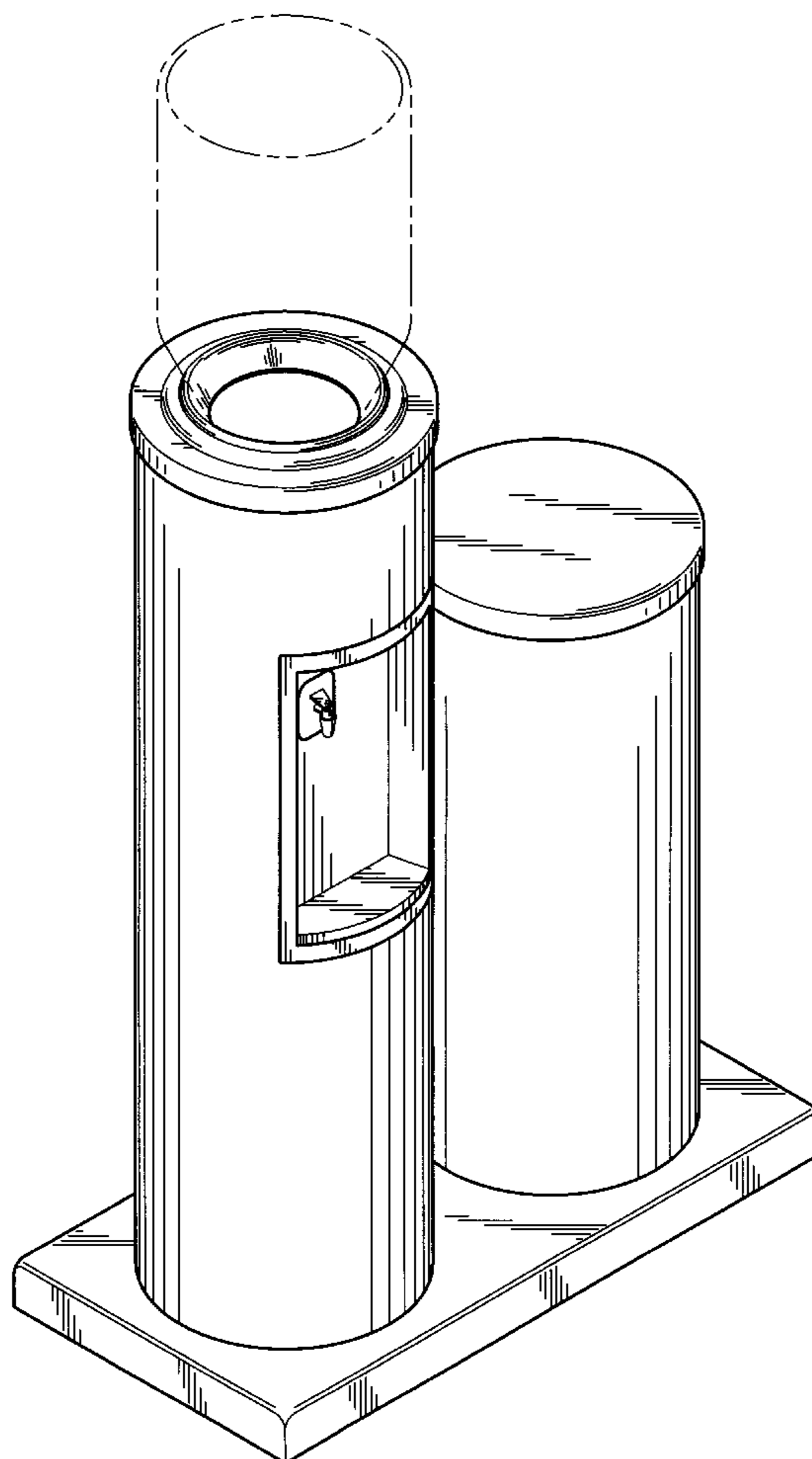
[57] **CLAIM**

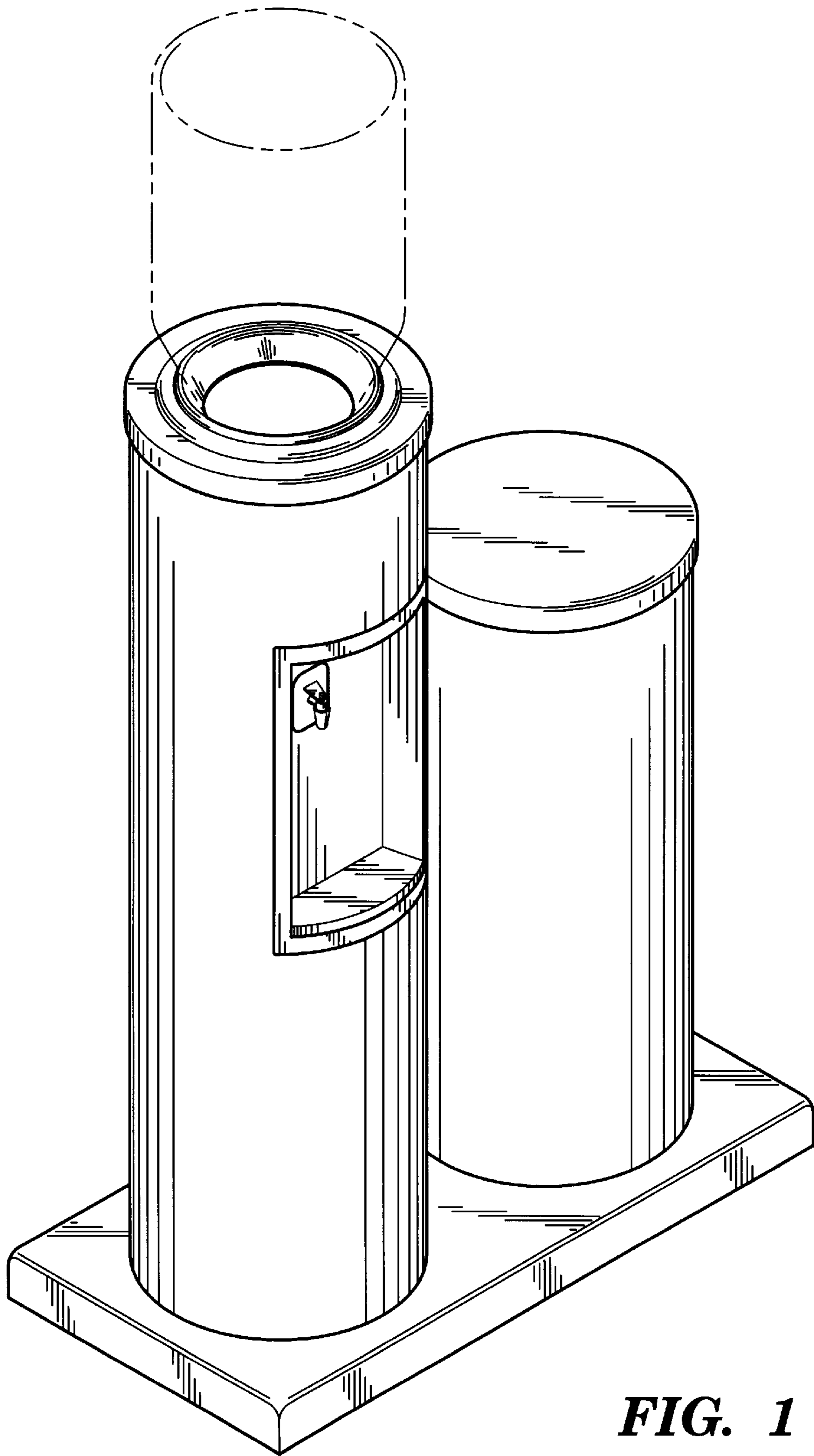
The ornamental design for a water cooler, as shown and described.

**DESCRIPTION**

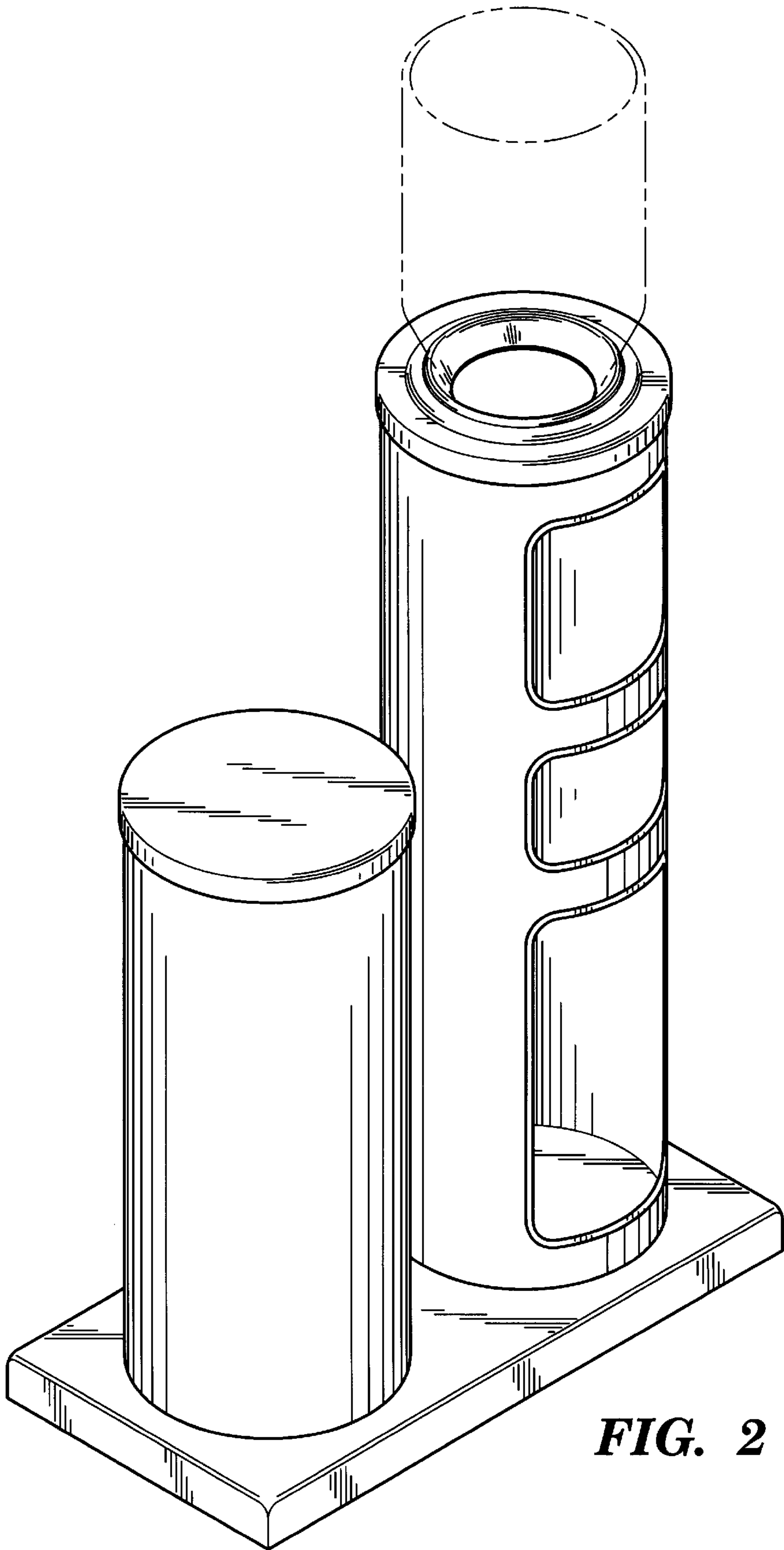
FIG. 1 is a front perspective view of the water cooler; FIG. 2 is a rear perspective view of the water cooler; FIG. 3 is a top perspective view of the water cooler; FIG. 4 is a front elevational view of the water cooler; FIG. 5 is a side elevational view of the water cooler; FIG. 6 is a rear elevational view of the water cooler; FIG. 7 is a side elevational view of the water cooler; and, FIG. 8 is a rear perspective view of a second embodiment of the water cooler showing our new design. All sides not shown of the second embodiment are the same as the first embodiment.

**1 Claim, 7 Drawing Sheets**

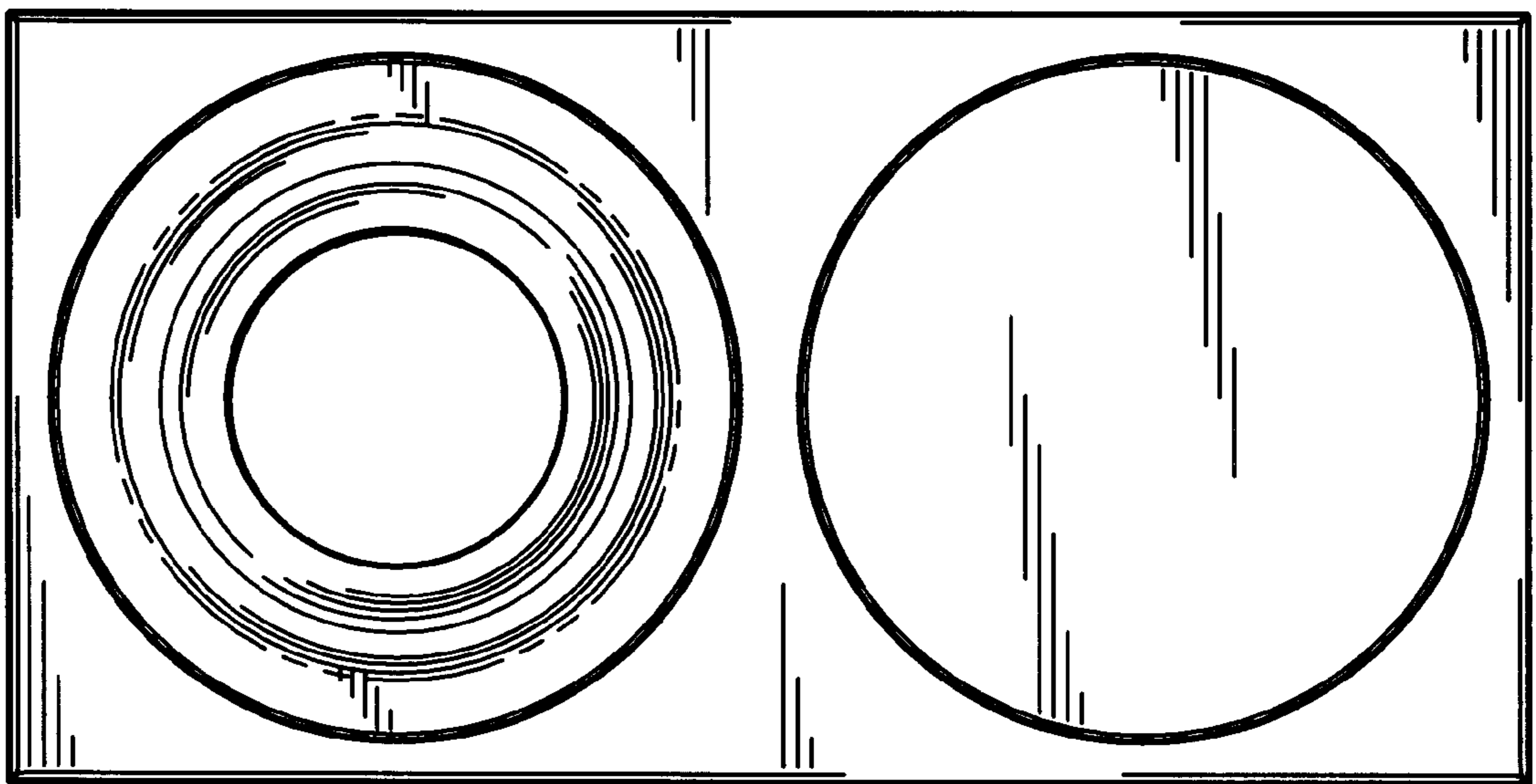




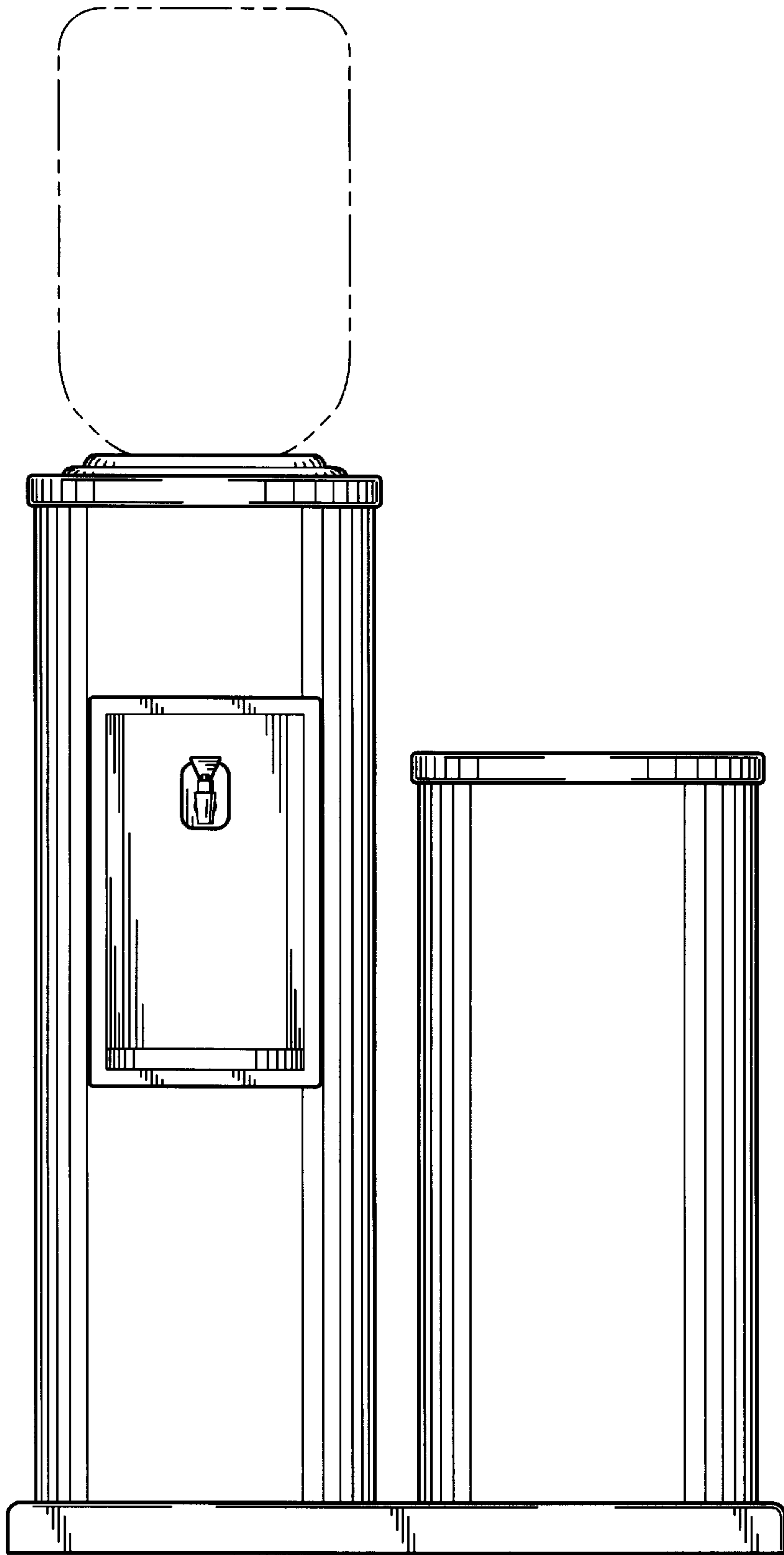
**FIG. 1**



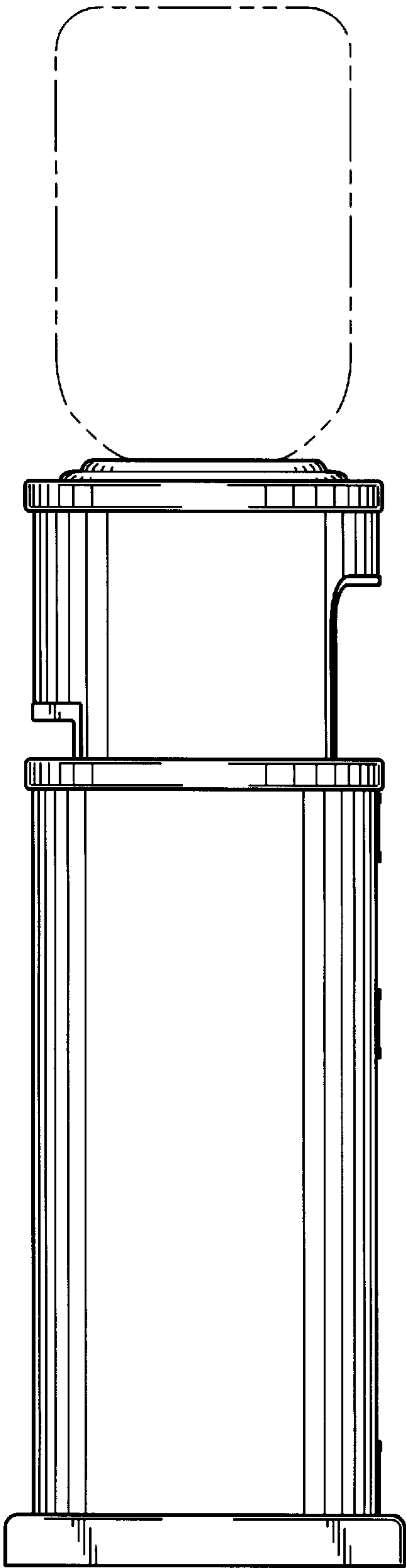
**FIG. 2**



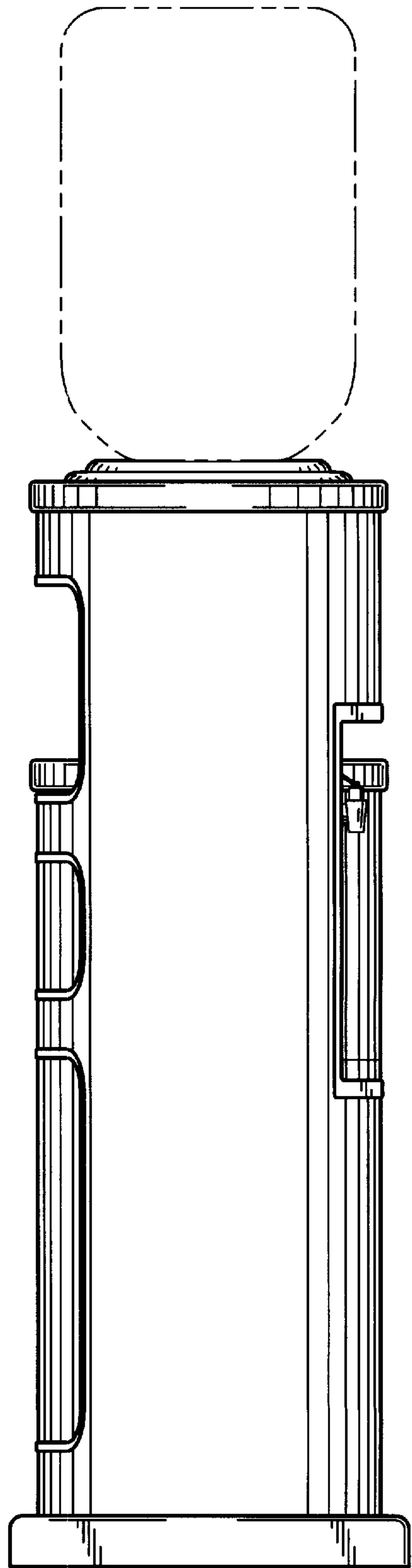
***FIG. 3***



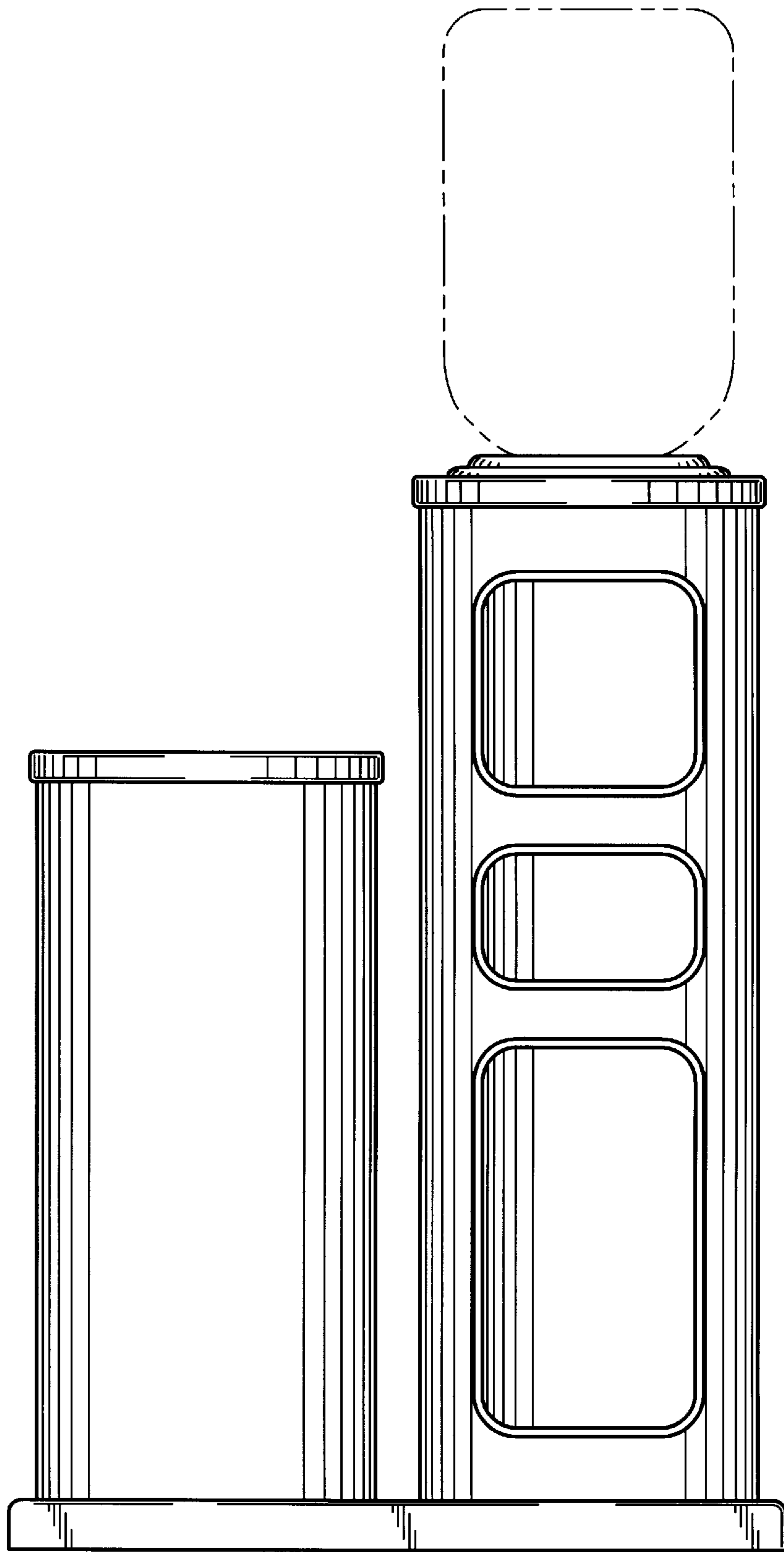
**FIG. 4**



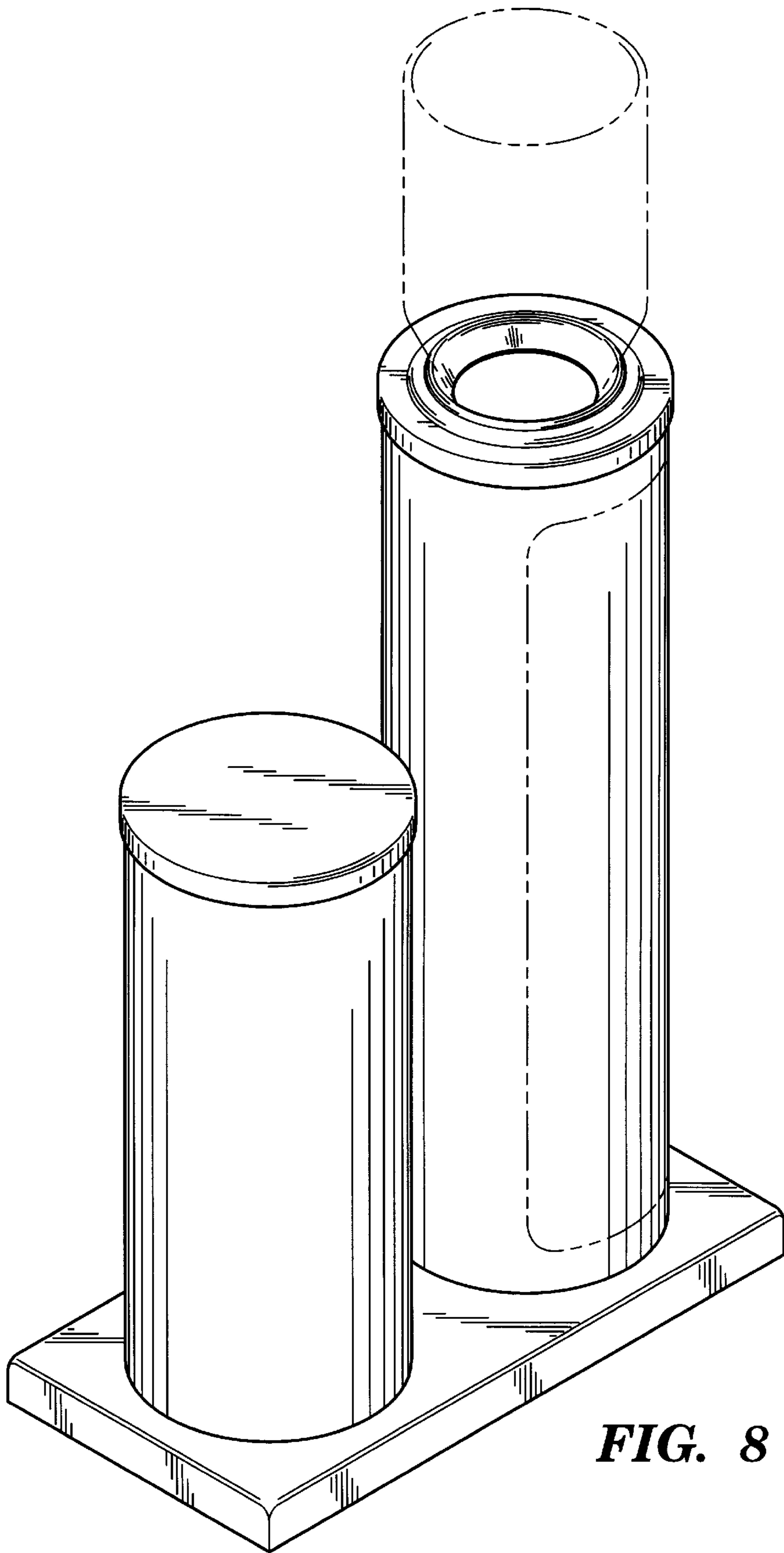
**FIG. 5**



**FIG. 7**



**FIG. 6**



**FIG. 8**