



US00D423858S

United States Patent [19]
Kiser

[11] **Patent Number: Des. 423,858**

[45] **Date of Patent: ** May 2, 2000**

[54] **MAGNETICALLY MOUNTED CADDY**

[76] Inventor: **David A. Kiser**, 2422 N. Hoover,
Wichita, Kans. 67205

[**] Term: **14 Years**

[21] Appl. No.: **29/101,683**

[22] Filed: **Mar. 9, 1999**

[51] **LOC (7) Cl.** **08-08**

[52] **U.S. Cl.** **D6/567**

[58] **Field of Search** D6/574, 512, 553,
D6/567, 329, 396; 211/13.1, 71, 78-81,
86-88, 168, DIG. 1; 248/309.1, 311.2;
D8/376, 380

[56] **References Cited**

U.S. PATENT DOCUMENTS

- D. 396,591 8/1998 Vasilakis D6/567
- D. 418,708 1/2000 Kanfer et al. D6/567
- D. 419,301 1/2000 Hampshire D6/267 X

FOREIGN PATENT DOCUMENTS

- 640309 7/1950 United Kingdom D8/380 X

Primary Examiner—Brian N. Vinson
Attorney, Agent, or Firm—Edward L. Brown, Jr.

[57] **CLAIM**

The ornamental design for a magnetically mounted caddy, as shown and described.

DESCRIPTION

FIG. 1 is a left side elevational view of the magnetically mounted caddy attached to a horizontal surface. The opposite side elevational view being a mirror image;

FIG. 2 is a front elevational view. The back elevational view being a mirror image;

FIG. 3 is a top view;

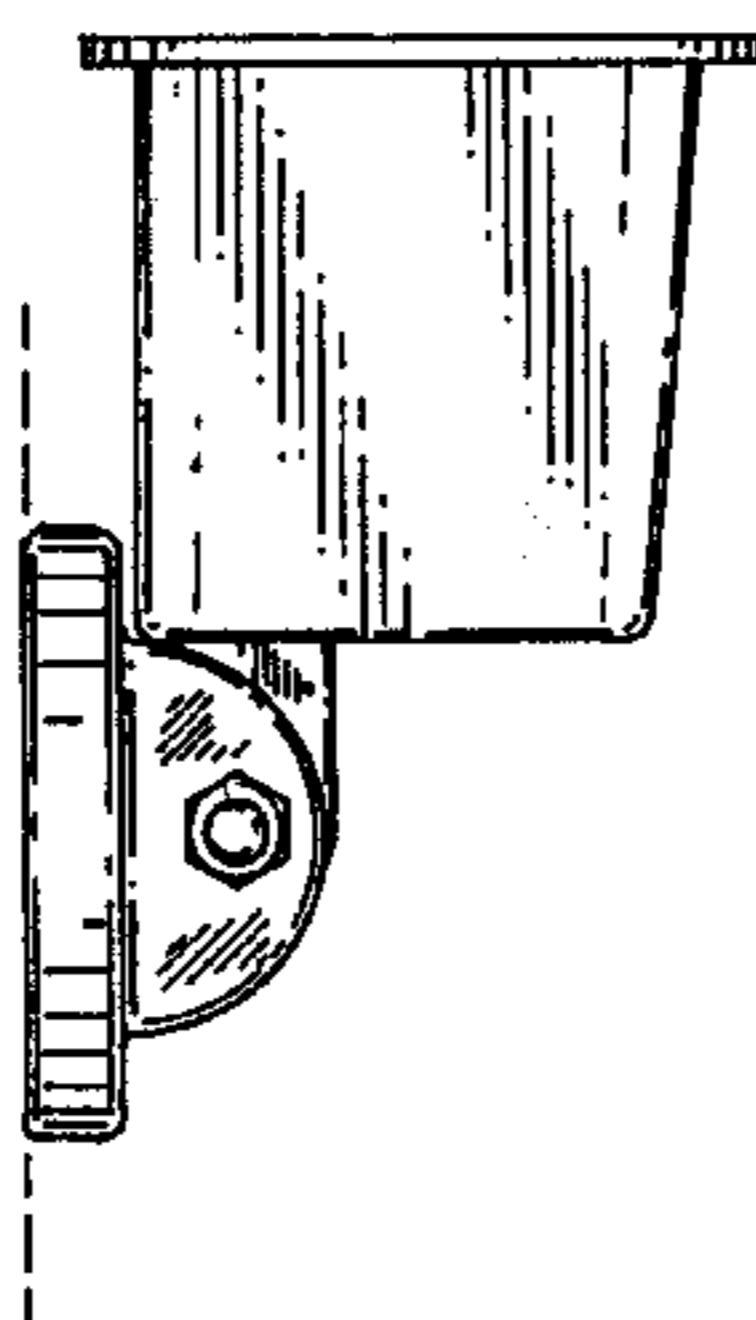
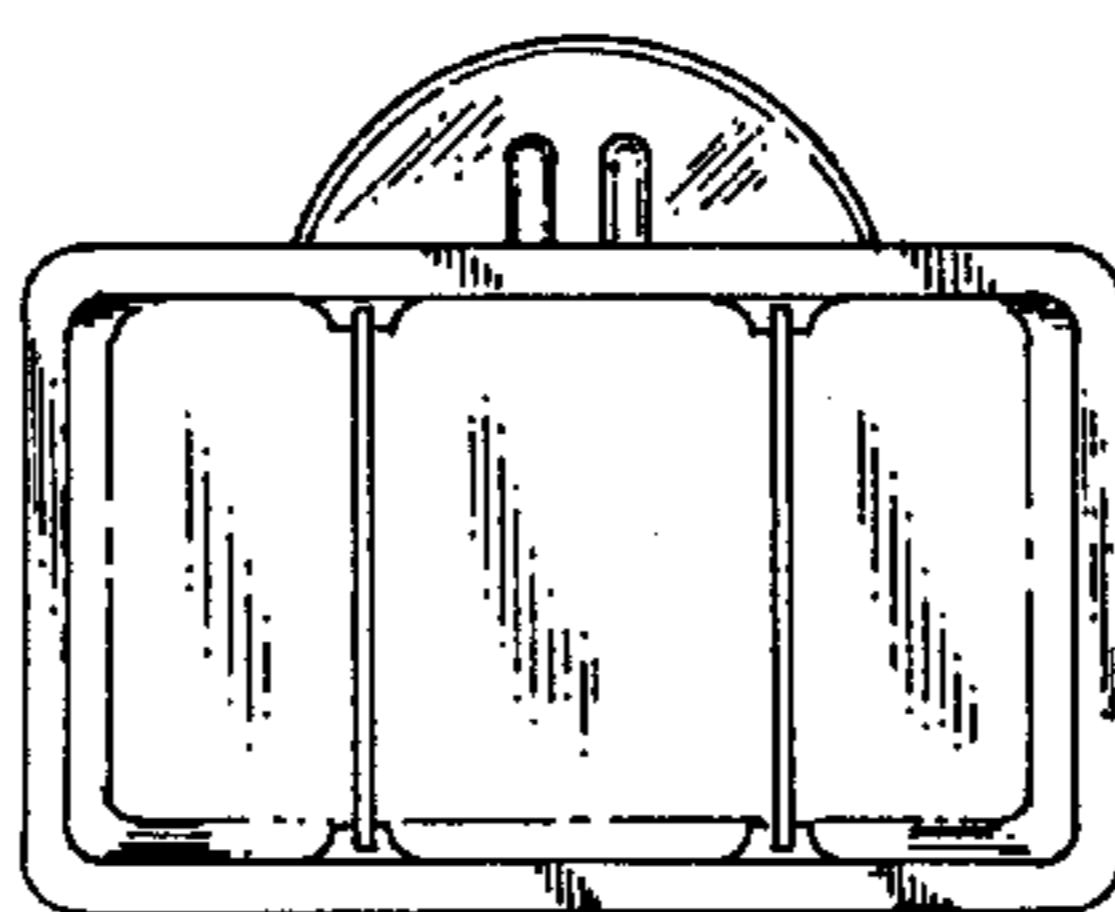
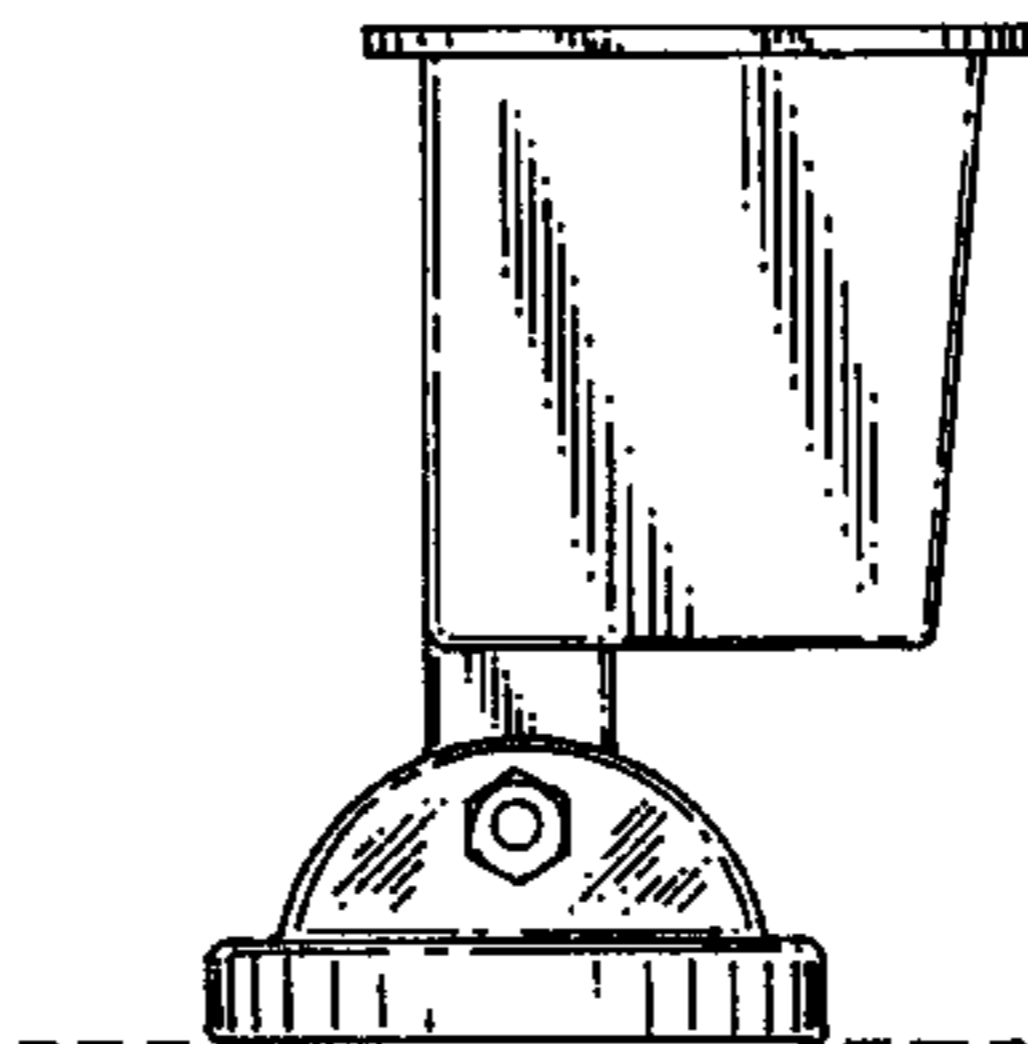
FIG. 4 is a bottom view;

FIG. 5 is a left side elevational view, attached to a vertical surface; and,

FIG. 6 is a perspective view from the right rear side.

The broken-line disclosure of horizontal and vertical surfaces in the views is for illustrative purposes only and forms no part of the claimed design.

1 Claim, 1 Drawing Sheet



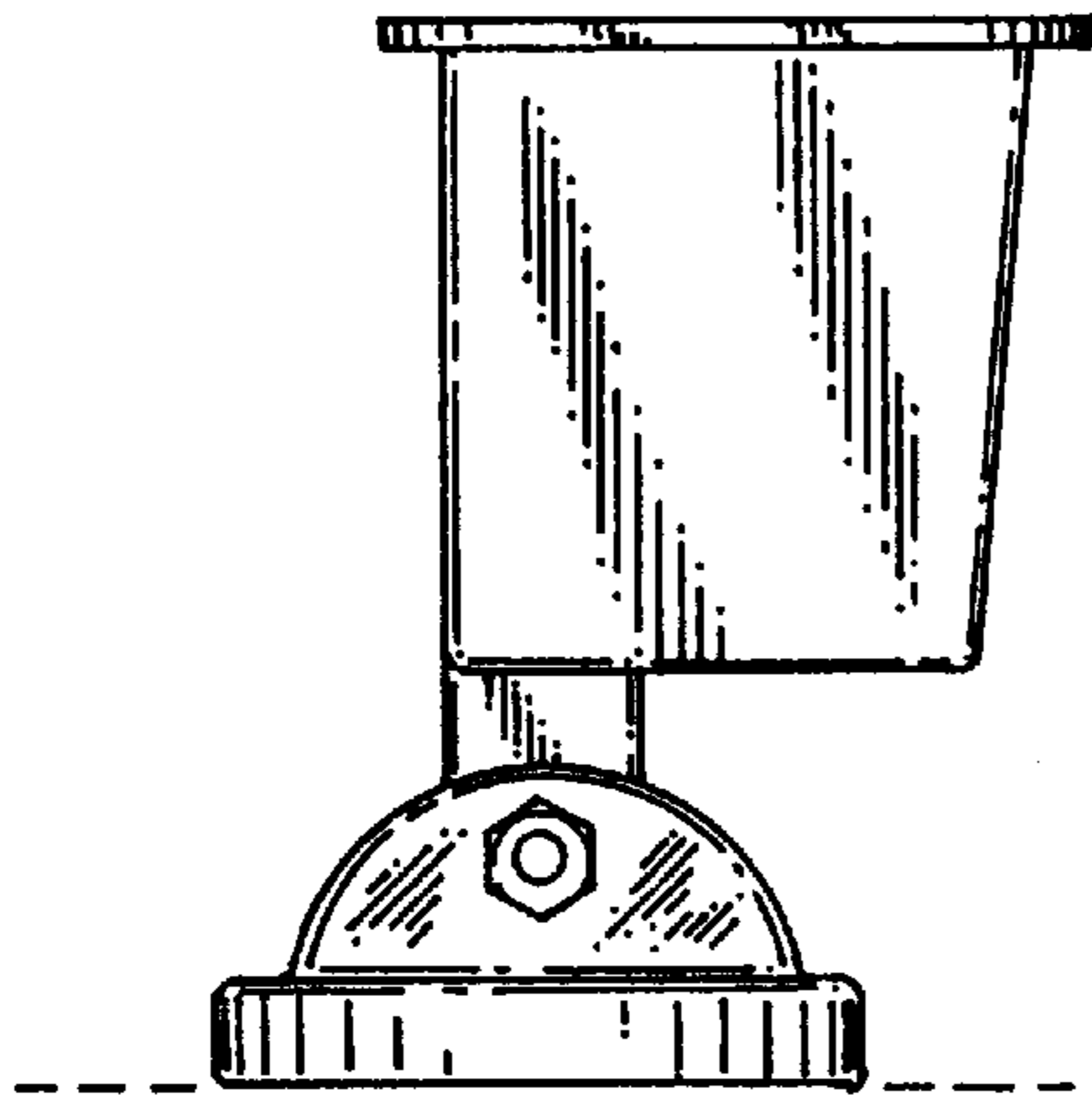


FIG. 1

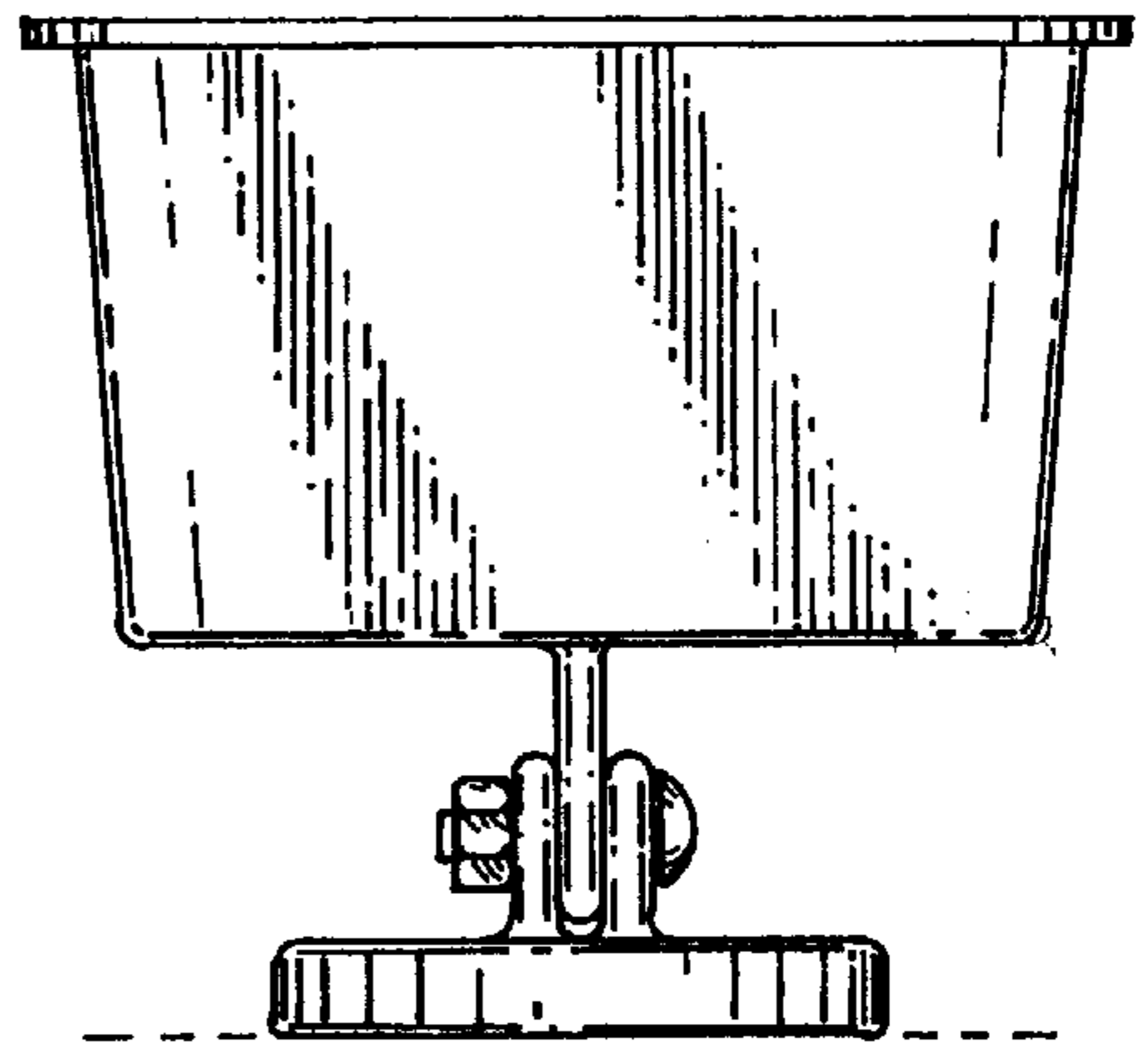


FIG. 2

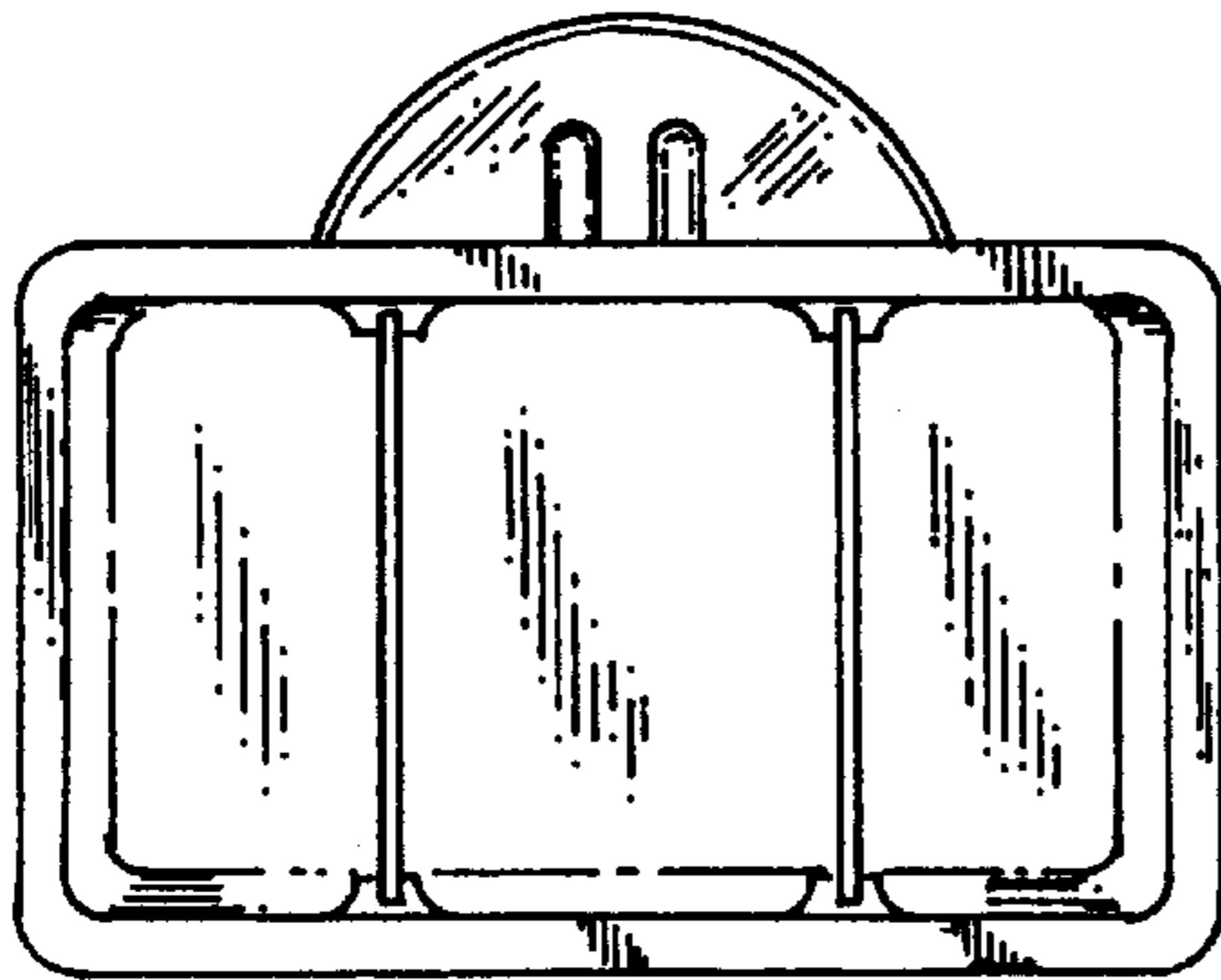


FIG. 3

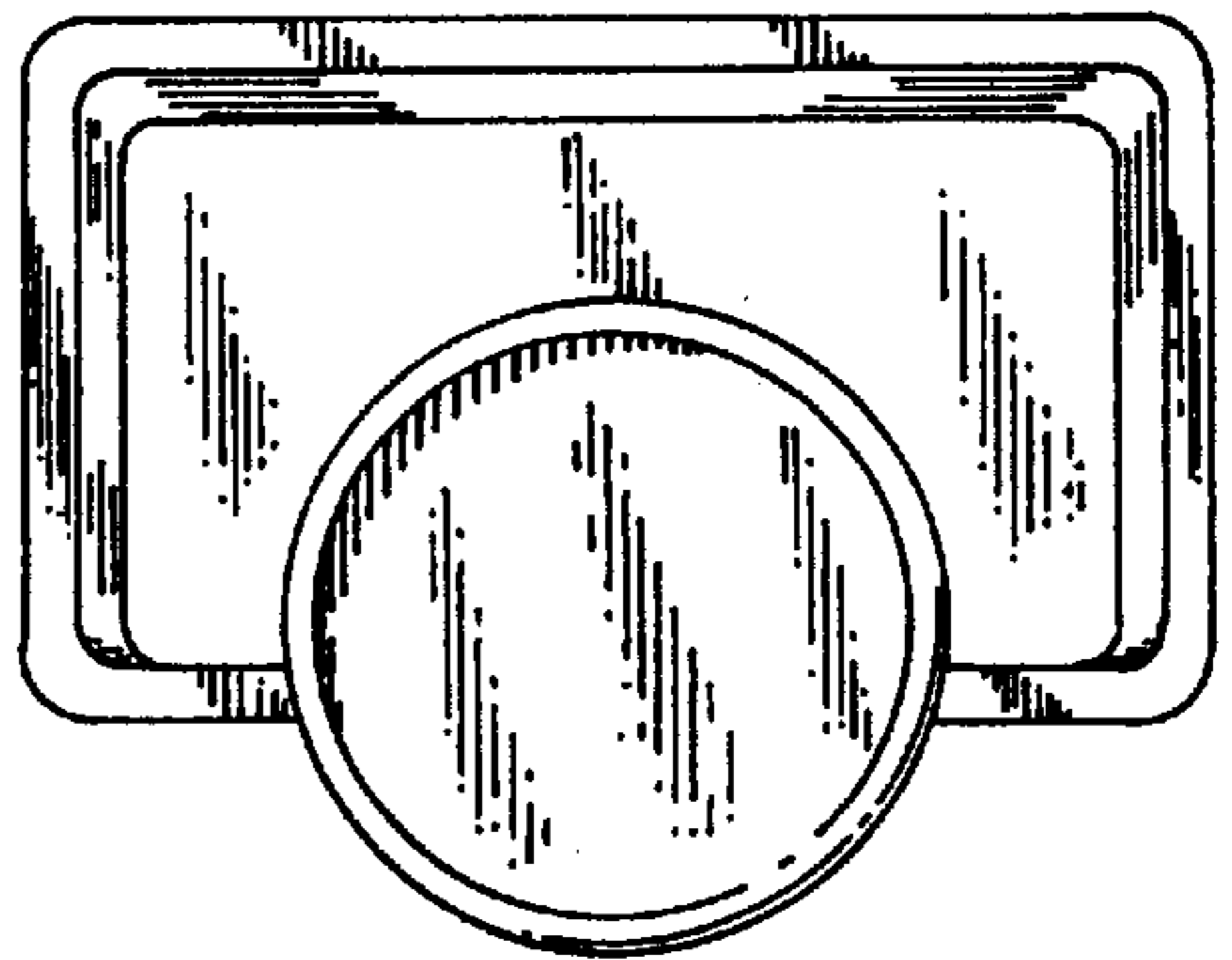


FIG. 4

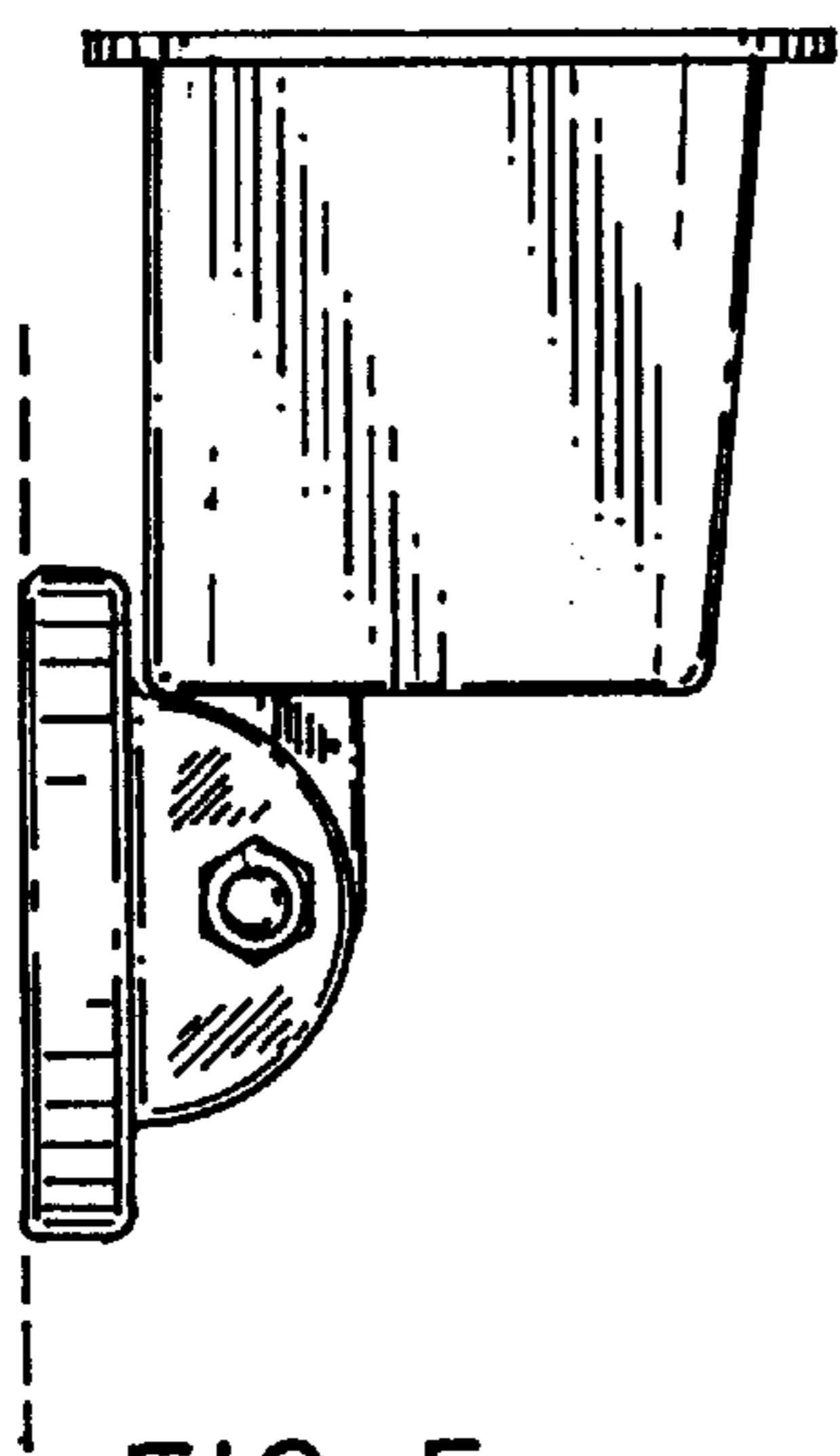


FIG. 5

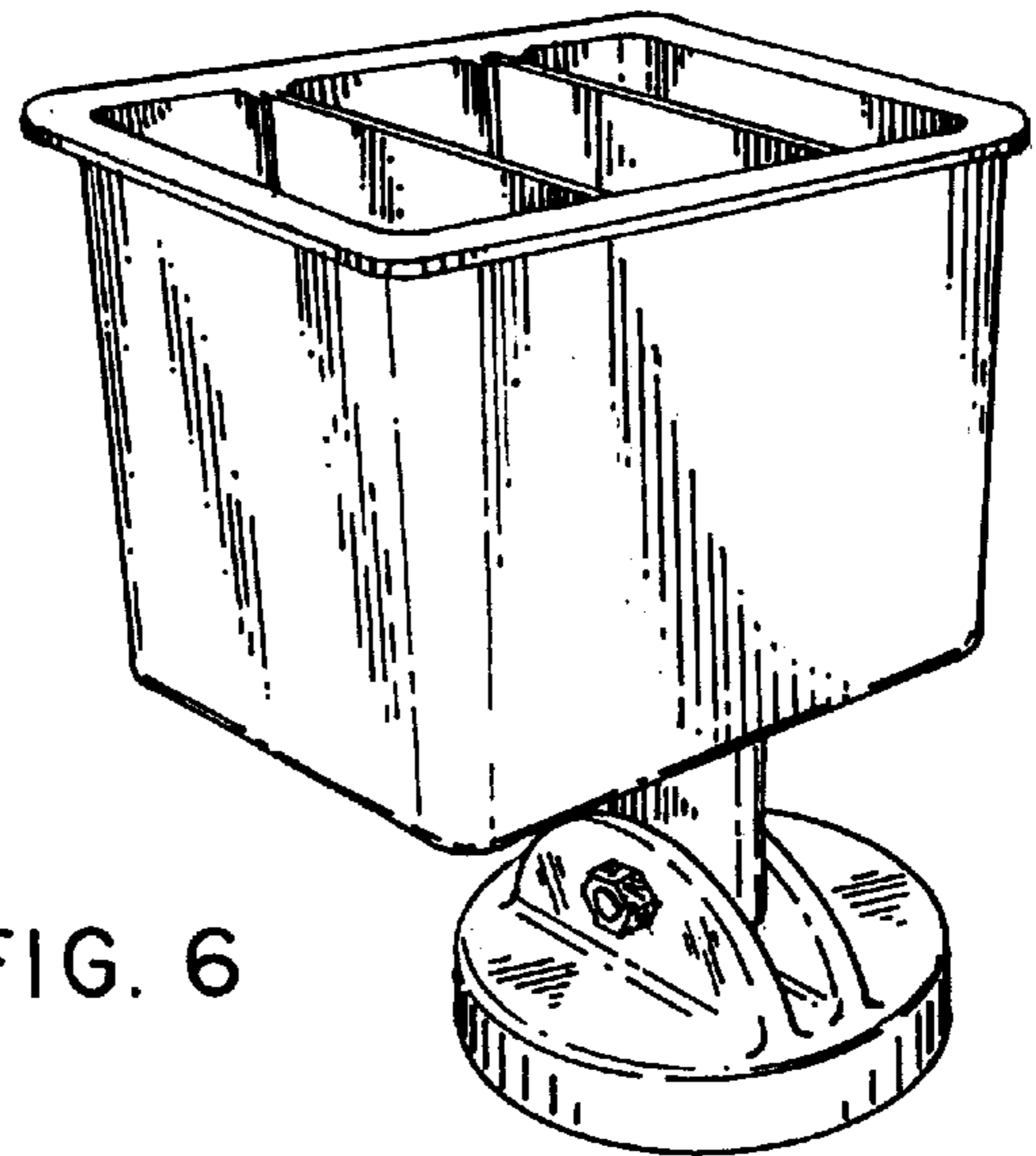


FIG. 6