



US00D423857S

United States Patent [19]
Shea

[11] **Patent Number: Des. 423,857**

[45] **Date of Patent: ** May 2, 2000**

[54] **PILLOW RACK**

5,373,951 12/1994 Arnold 211/90 X

[76] Inventor: **Thomas M. Shea**, 1343 Rochester Rd.,
Suite 100, Troy, Mich. 48083

Primary Examiner—Brian N. Vinson
Attorney, Agent, or Firm—Gifford, Krass, Groh, Sprinkle,
Anderson & Citkowski, P. C.

[**] Term: **14 Years**

[57] **CLAIM**

[21] Appl. No.: **29/104,249**

I claim the ornamental design for a pillow rack, as shown
and described.

[22] Filed: **Apr. 30, 1999**

DESCRIPTION

[51] **LOC (7) Cl.** **08-08**

[52] **U.S. Cl.** **D6/566**

[58] **Field of Search** D6/566, 567, 574,
D6/510, 511; 211/13.1, 30, 32, 35, 59.1,
59.2, 60.1, 70.6, 86, 87, 90, 113, 123, 181.1;
248/251, 302, 317

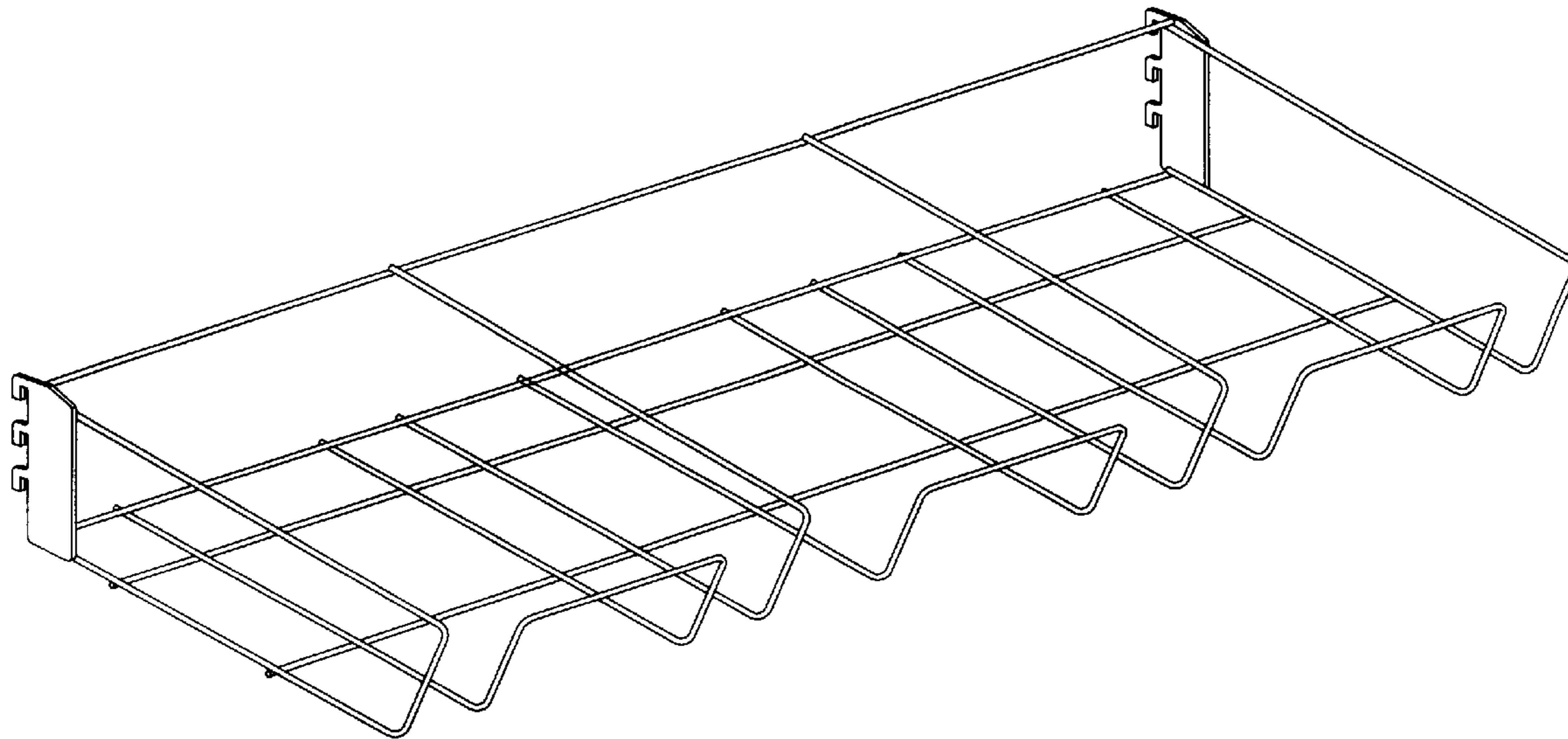
FIG. 1 is a perspective view of the pillow rack according to
the present design;
FIG. 2 is a left side view of the present design, a corre-
sponding right side view being identical in every respect;
FIG. 3 is a right side view of the present design;
FIG. 4 is a front view of the present design;
FIG. 5 is a rear view of the present design;
FIG. 6 is a top plan view of the present design; and,
FIG. 7 is a bottom view of the present design.

[56] **References Cited**

U.S. PATENT DOCUMENTS

- D. 267,695 1/1983 Paquette et al. D6/567
- D. 280,280 8/1985 Pestone D6/566
- D. 346,521 5/1994 Rosenthal D6/566

1 Claim, 2 Drawing Sheets



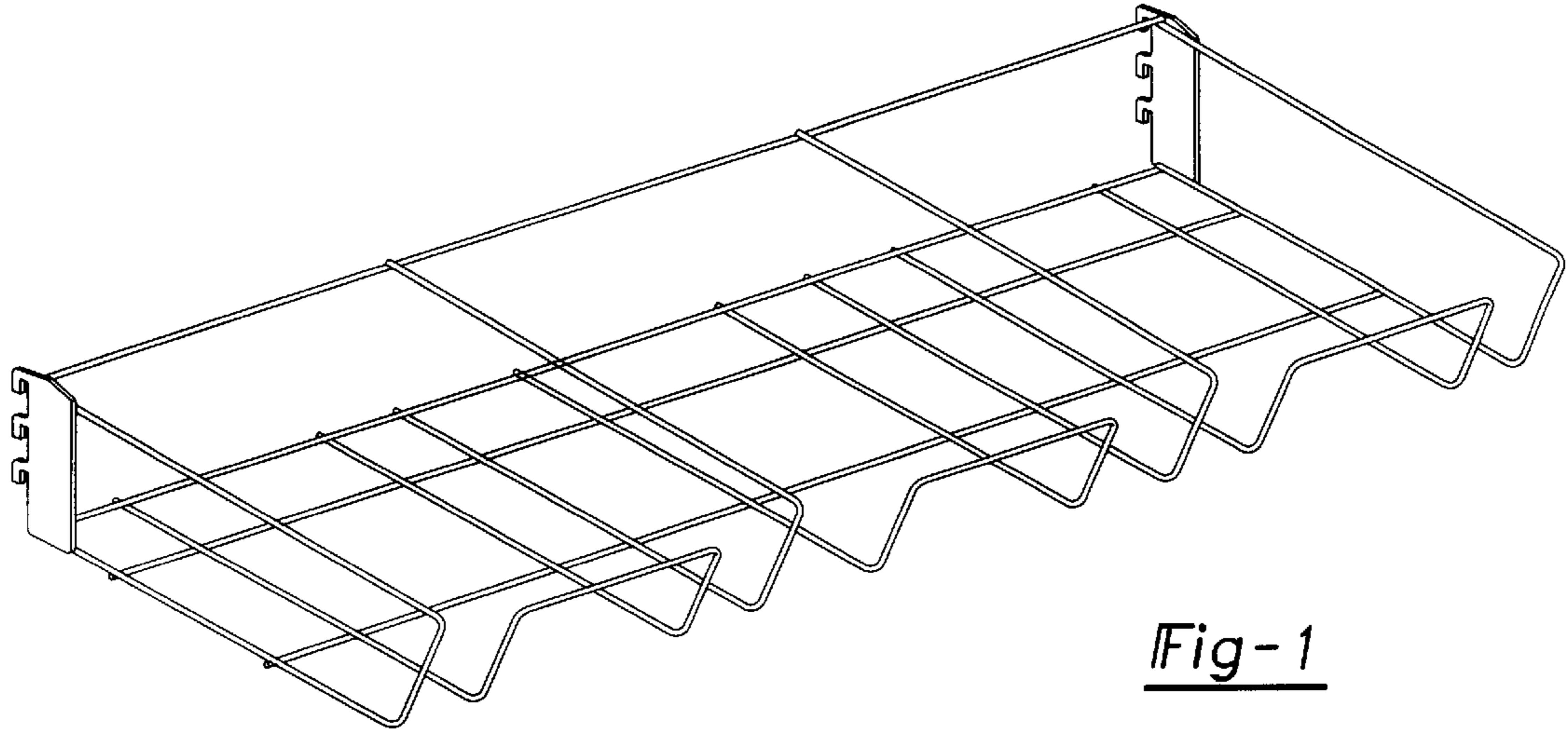


Fig-1

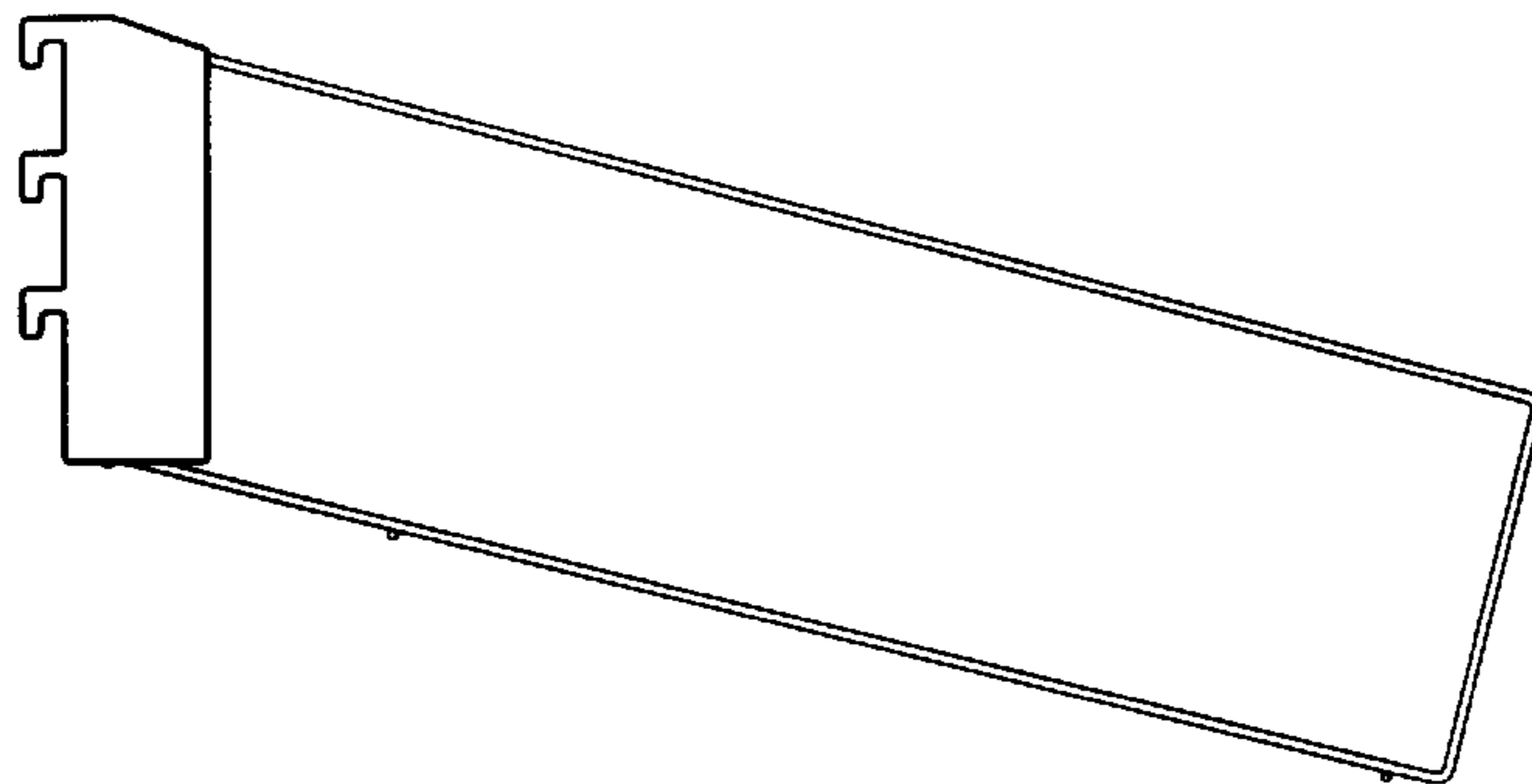


Fig-2

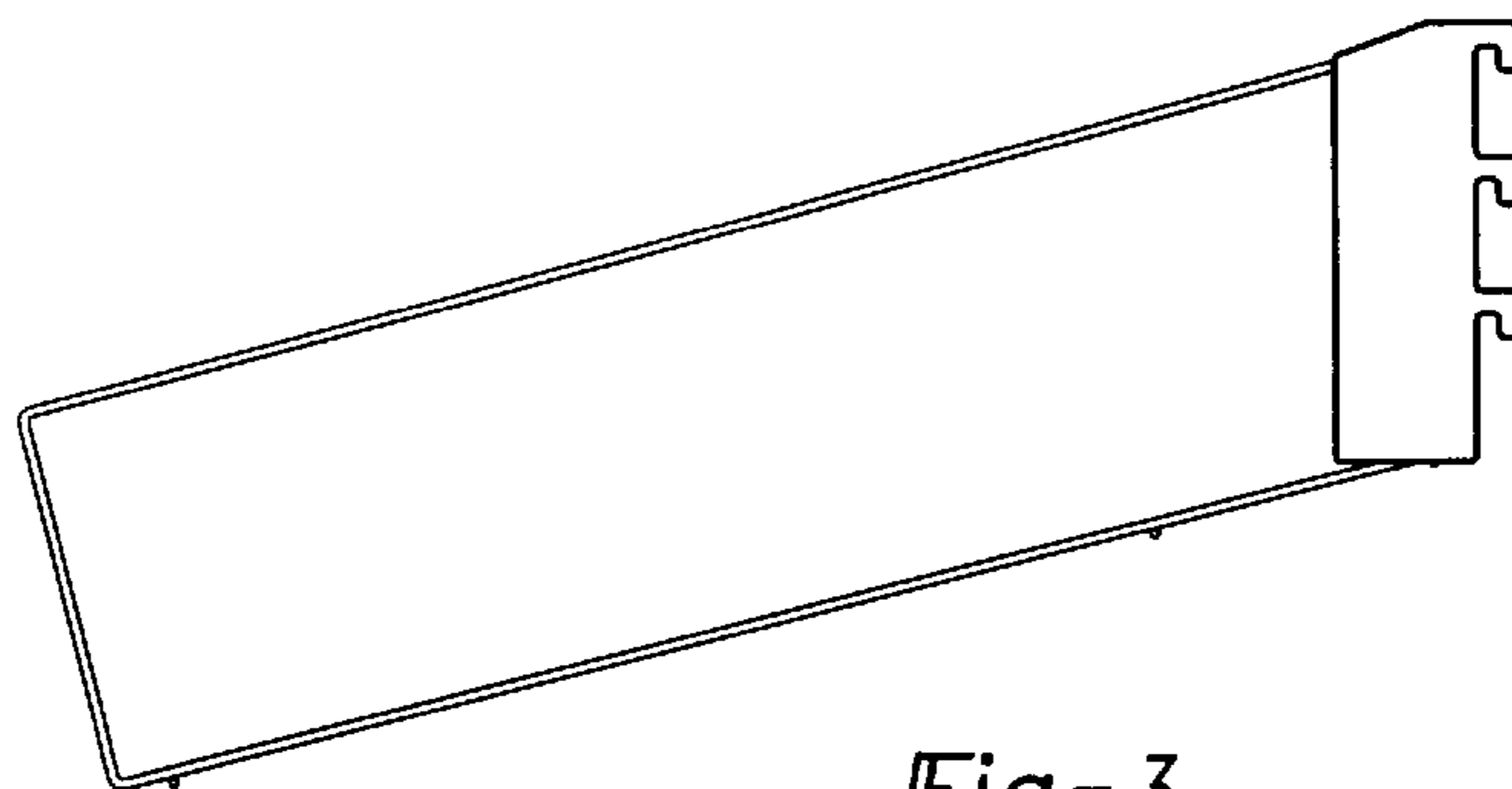


Fig-3

Fig-4

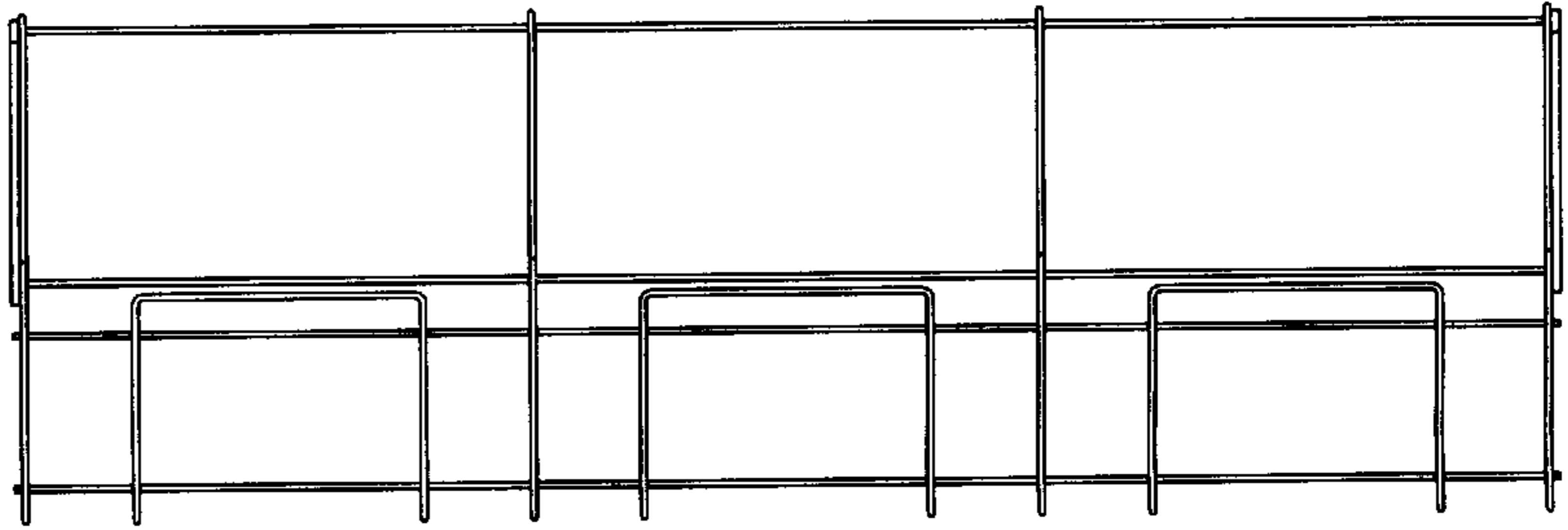


Fig-5

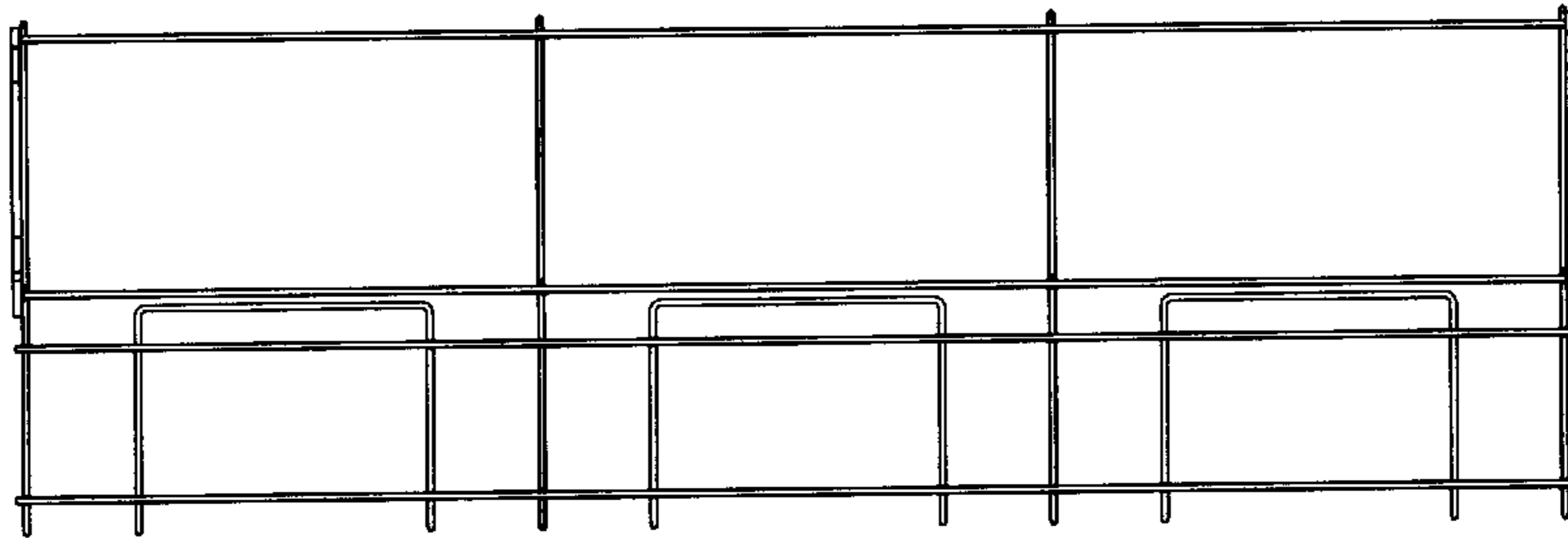


Fig-6

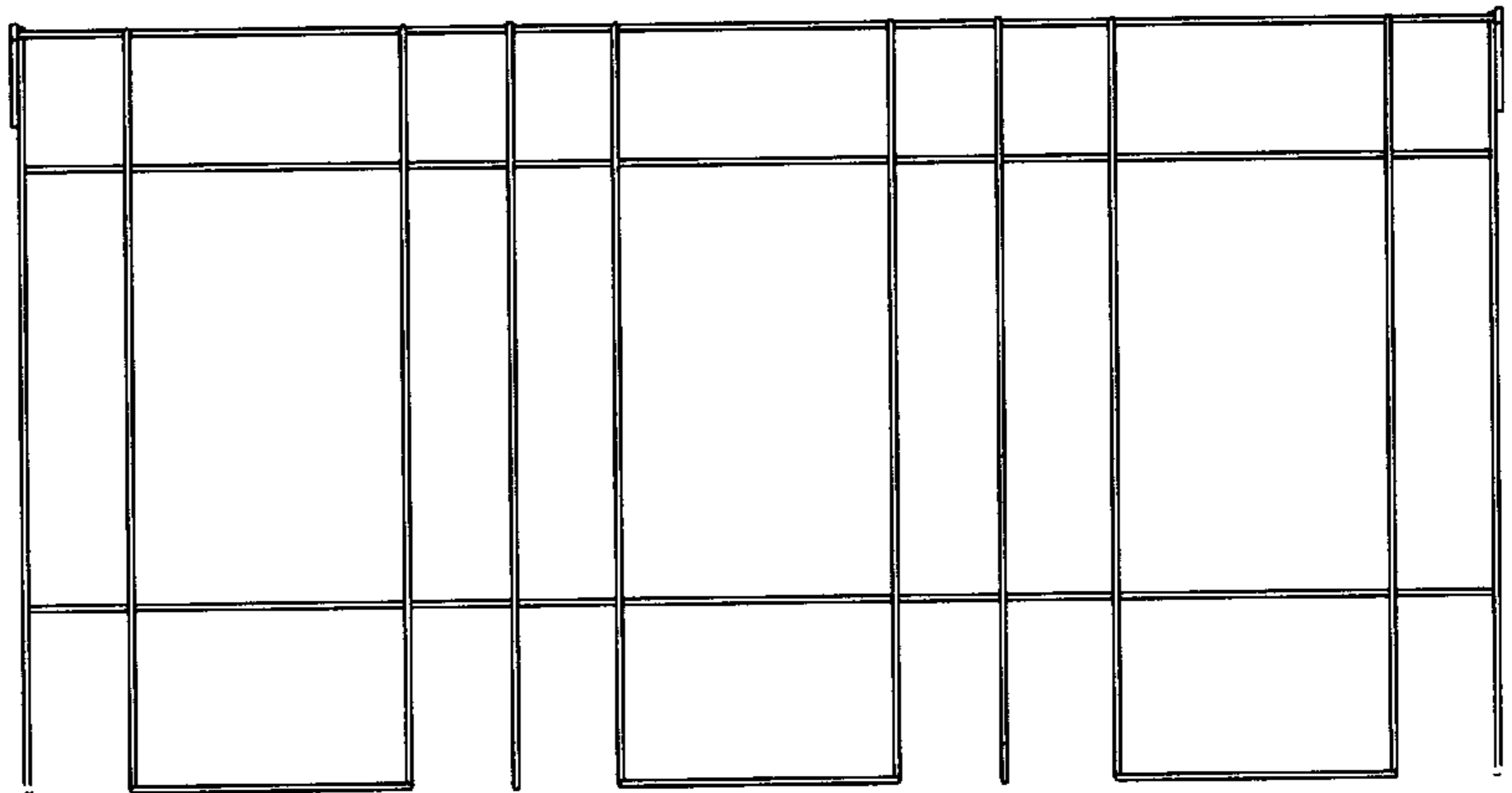


Fig-7

