



US00D423856S

United States Patent [19] Duggan

[11] **Patent Number: Des. 423,856**

[45] **Date of Patent: ** May 2, 2000**

[54] **TOWEL BAR**

D. 132,262 5/1942 Sanford D6/549
D. 327,598 7/1992 Emery D6/549

[76] Inventor: **Michael P. Duggan**, P.O. Box 308,
Brookside, N.J. 07926

Primary Examiner—Brian N. Vinson

[**] Term: **14 Years**

[57] **CLAIM**

[21] Appl. No.: **29/106,840**

The ornamental design for a towel bar, as shown and described.

[22] Filed: **Jun. 22, 1999**

DESCRIPTION

[51] **LOC (7) Cl.** **07-07**

FIG. 1 is a perspective view of a towel bar showing my new design;

[52] **U.S. Cl.** **D6/549**

FIG. 2 is a front elevational view thereof;

[58] **Field of Search** D6/546, 548, 549;
211/13.1, 86-88, 105.1; 108/123

FIG. 3 is a rear elevational view thereof;

FIG. 4 is a right side view thereof, the opposite side being a mirror image of the side shown;

[56] **References Cited**

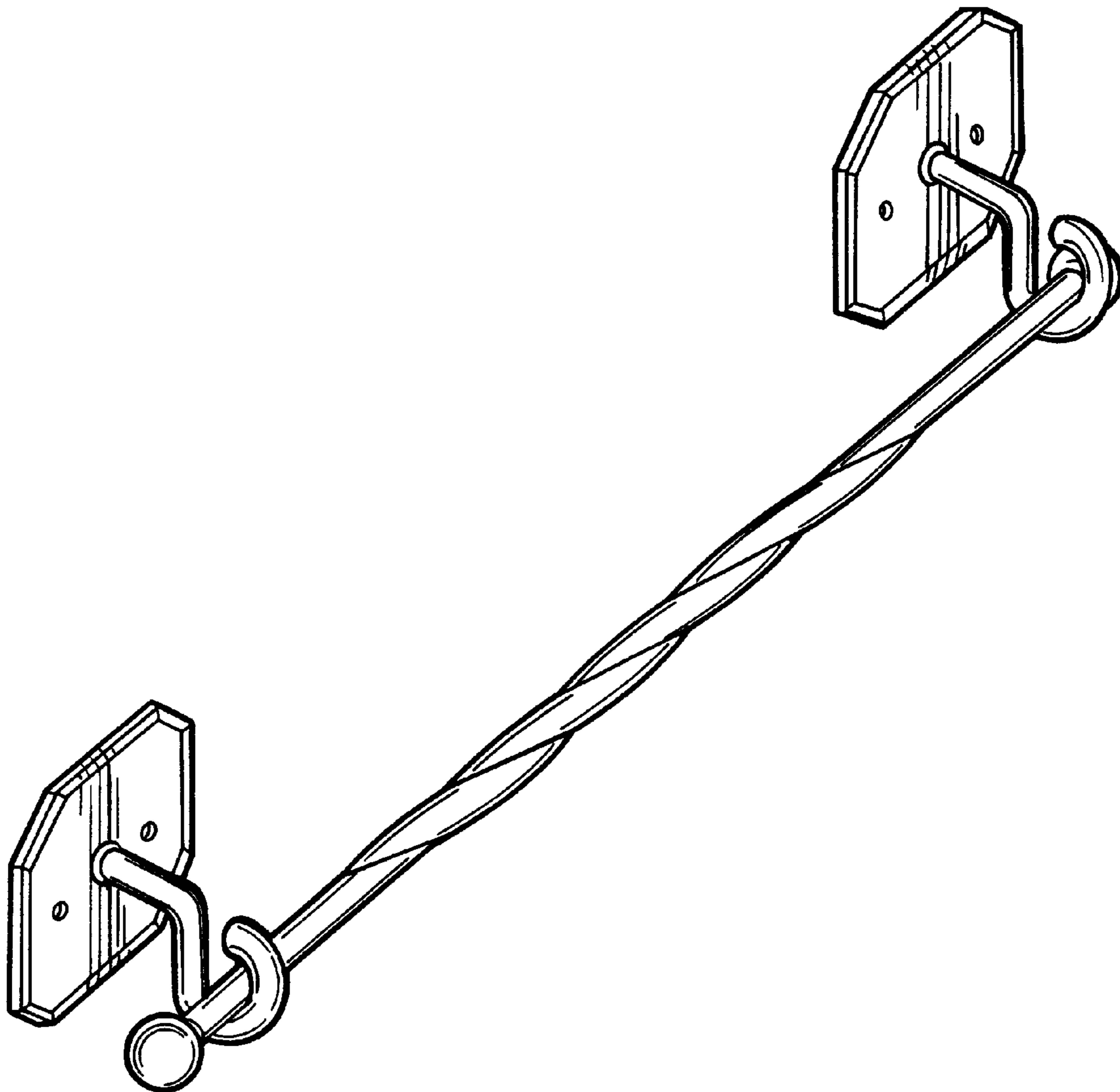
FIG. 5 is a top plan view thereof; and,

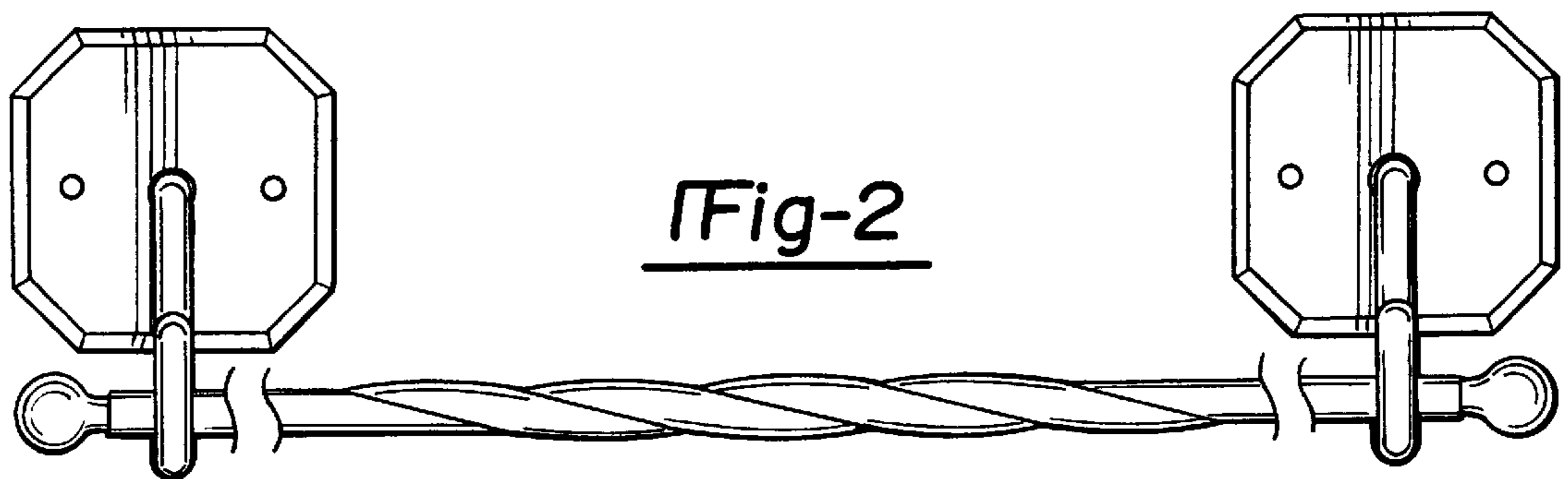
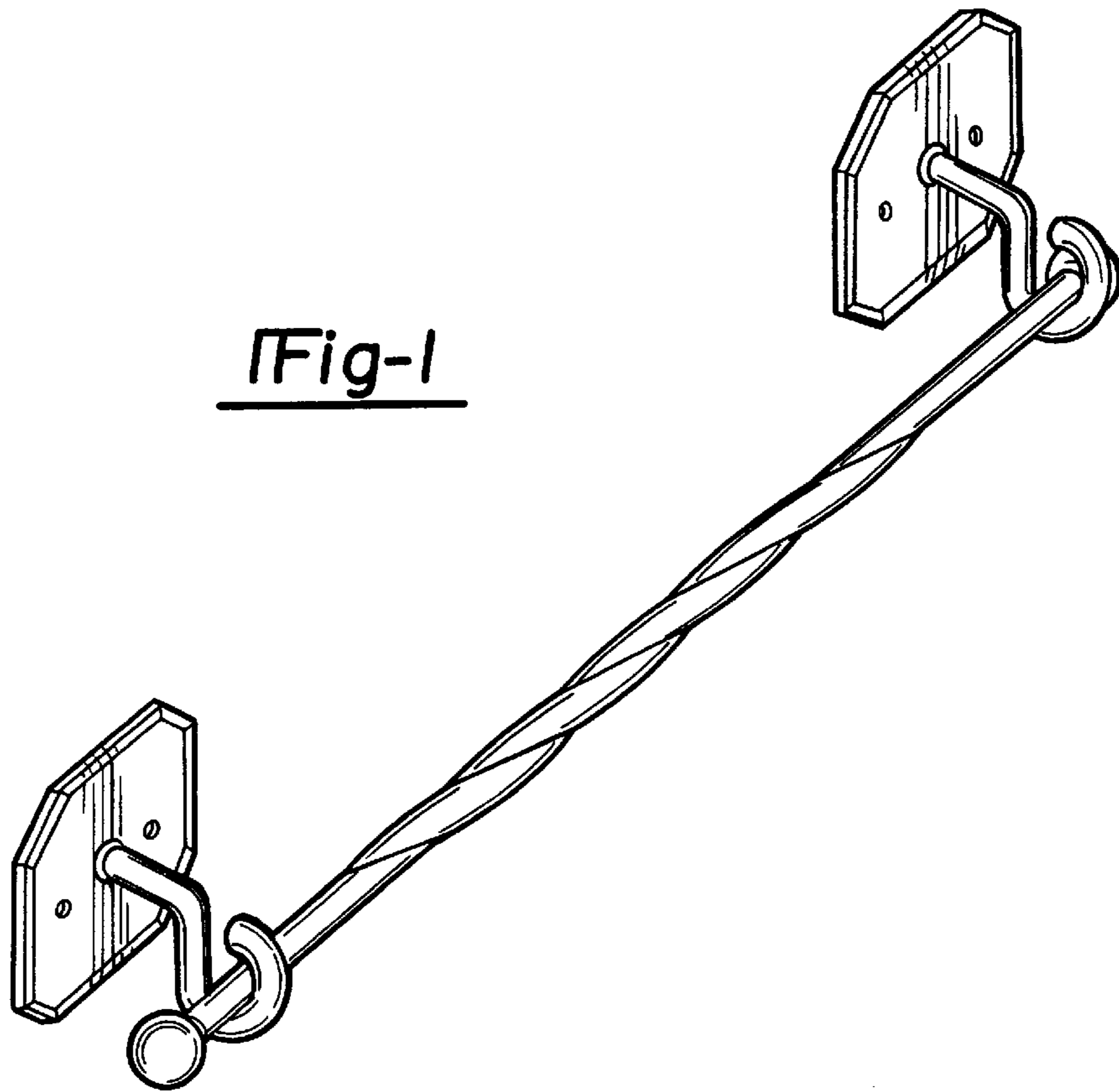
FIG. 6 is a bottom plan view thereof.

U.S. PATENT DOCUMENTS

D. 41,567 7/1911 Strassburger et al. D6/549
D. 120,972 6/1940 Desser D6/550

1 Claim, 2 Drawing Sheets





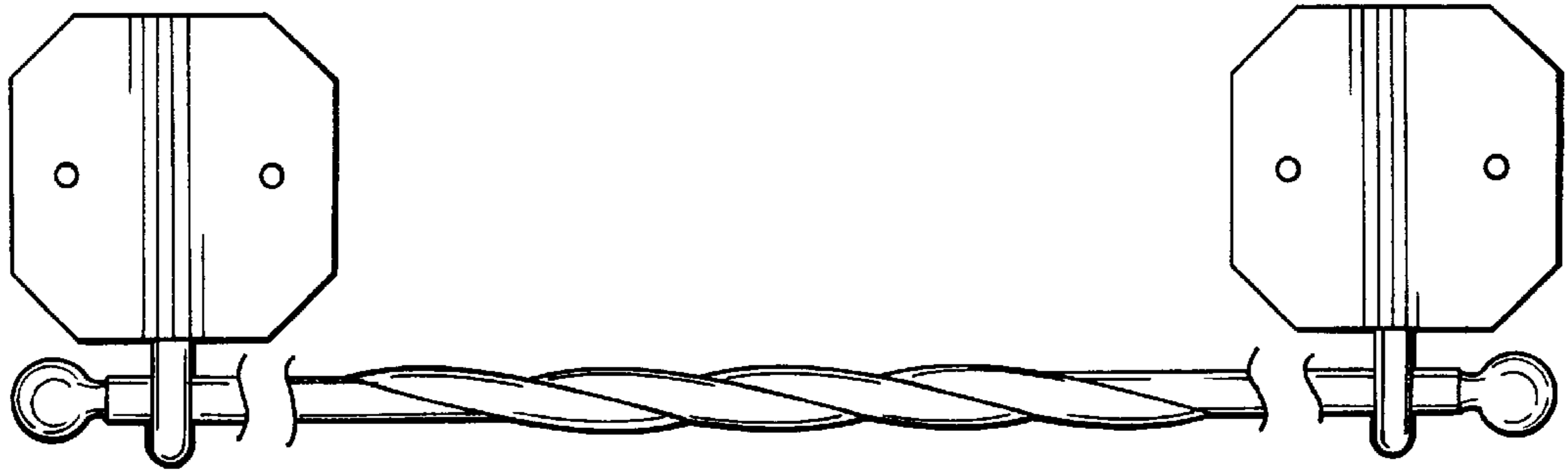


Fig-3

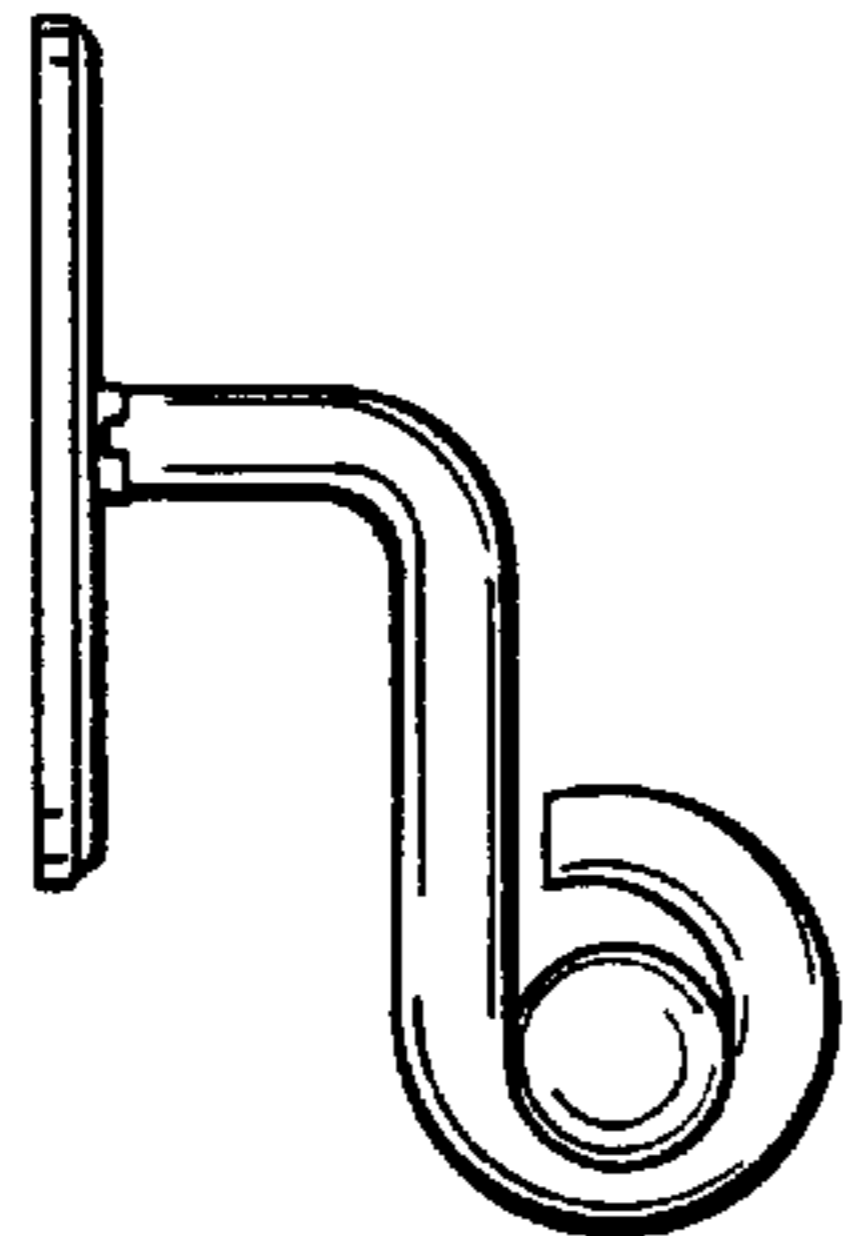


Fig-4

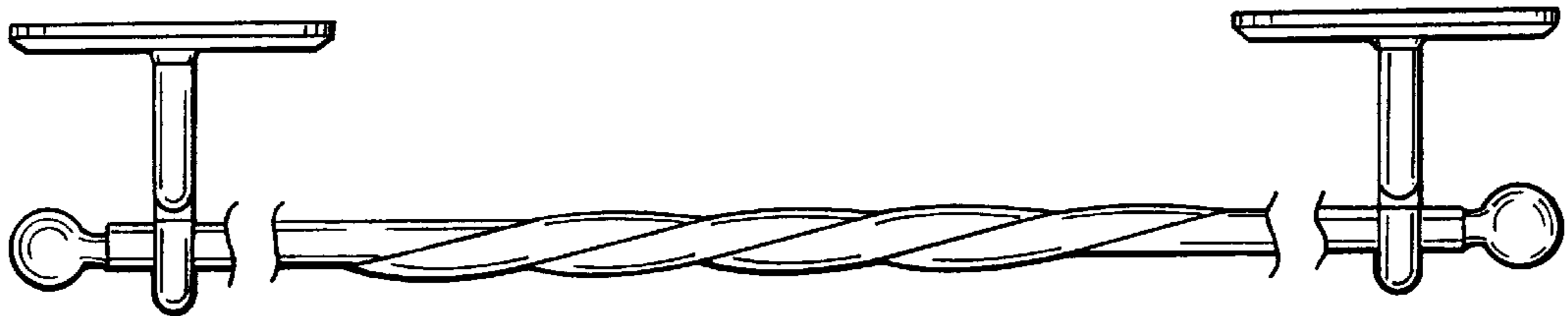


Fig-5

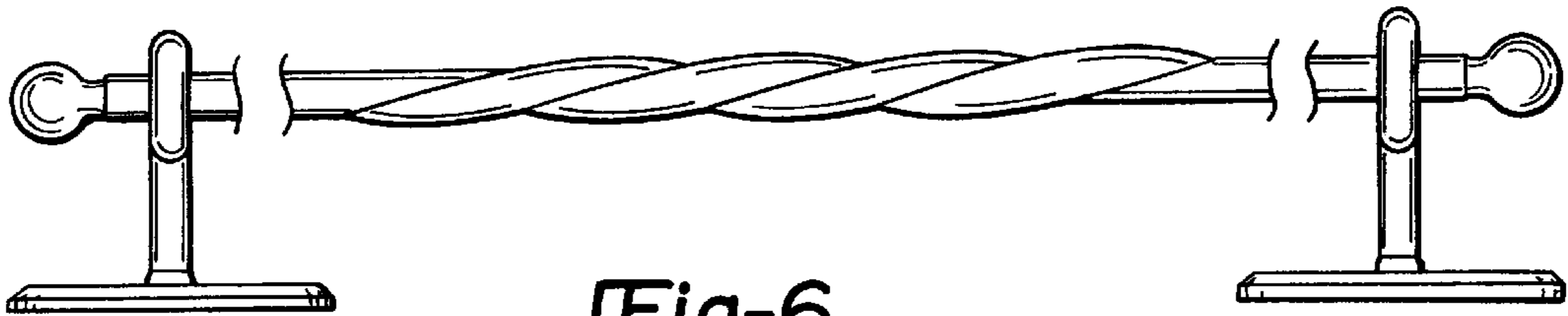


Fig-6