



US00D423852S

# United States Patent [19] Duggan

[11] **Patent Number: Des. 423,852**

[45] **Date of Patent: \*\* May 2, 2000**

[54] **TOWEL RING**

D. 132,262 5/1942 Sanford ..... D6/549  
D. 362,615 9/1995 Shames et al. .... D6/546 X  
D. 363,183 10/1995 Starck ..... D6/546

[75] Inventor: **Michael P. Duggan**, Brookside, N.J.

[73] Assignee: **Melard Manufacturing Corp.**, Passaic, N.J.

*Primary Examiner*—Brian N. Vinson  
*Attorney, Agent, or Firm*—Edgar A. Zarins; Lloyd D. Doigan

[\*\*] Term: **14 Years**

### [57] CLAIM

[21] Appl. No.: **29/106,756**

The ornamental design for a towel ring, as shown and described.

[22] Filed: **Jun. 22, 1999**

### DESCRIPTION

[51] **LOC (7) Cl.** ..... **07-07**

[52] **U.S. Cl.** ..... **D6/546**

[58] **Field of Search** ..... D6/546-550; D8/367;  
211/13.1, 16, 86-88, 123, 181.1; 248/176,  
305.1, 315

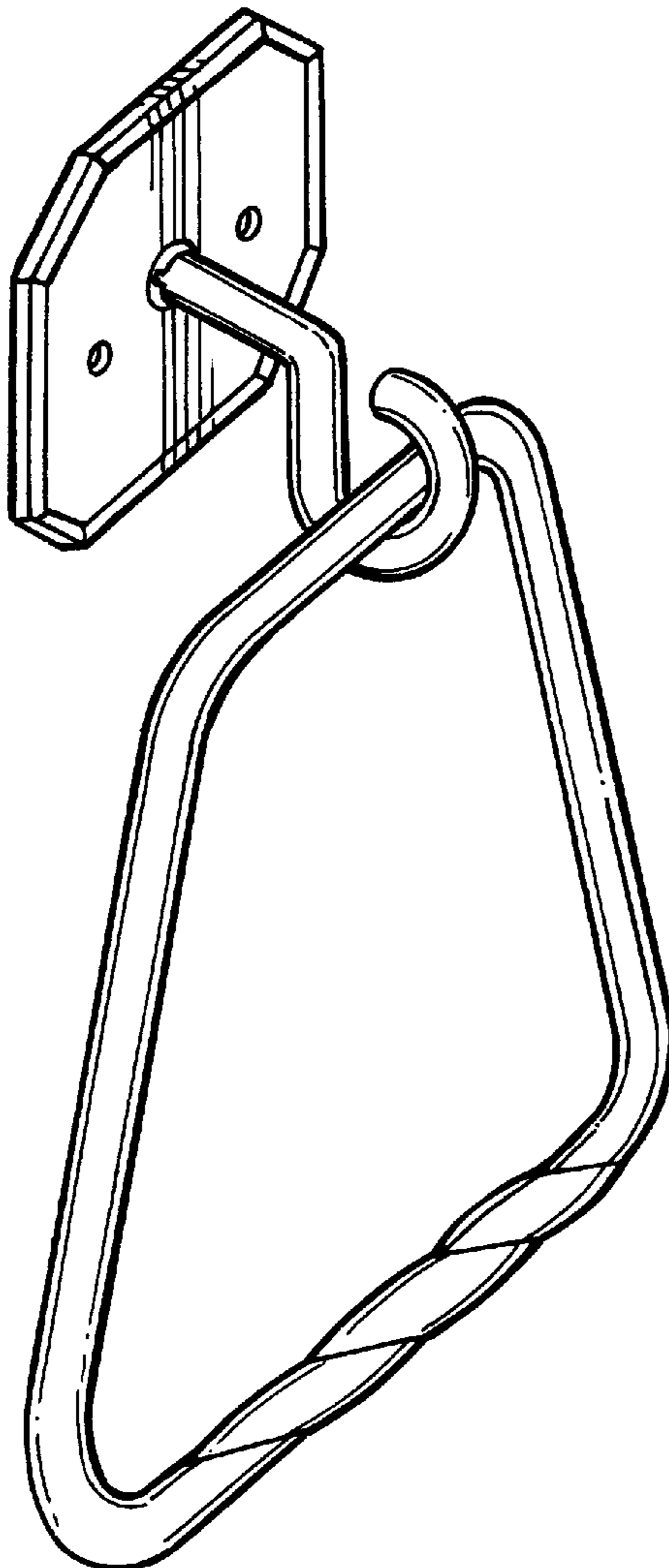
FIG. 1 is a perspective view of a towel ring showing my new design;  
FIG. 2 is a front elevational view thereof;  
FIG. 3 is a rear elevational view thereof;  
FIG. 4 is a right side view thereof, the opposite side being a mirror image of the side shown;  
FIG. 5 is a top plan view thereof; and,  
FIG. 6 is a bottom plan view thereof.

### [56] References Cited

#### U.S. PATENT DOCUMENTS

D. 41,567 7/1911 Strassburger et al. .... D6/549  
D. 120,972 6/1940 Desser ..... D6/550

**1 Claim, 3 Drawing Sheets**



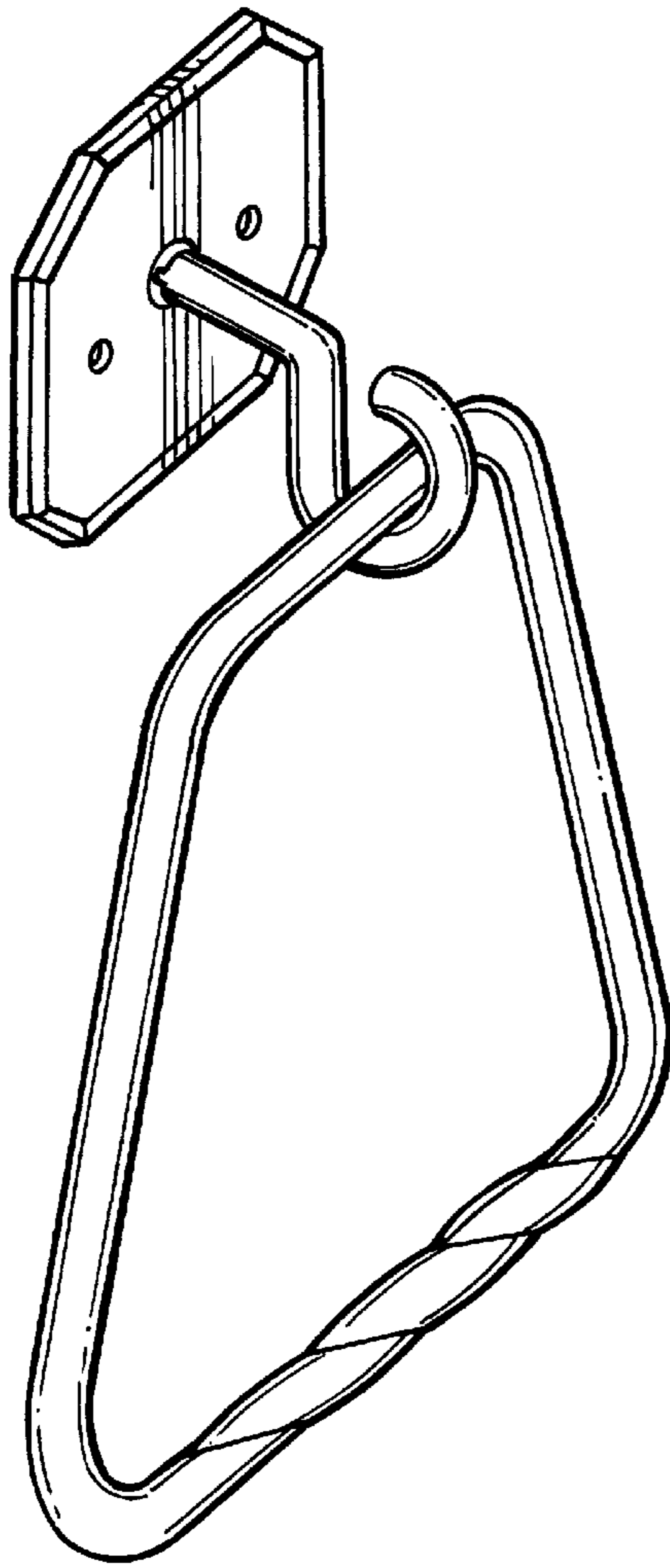


Fig-1

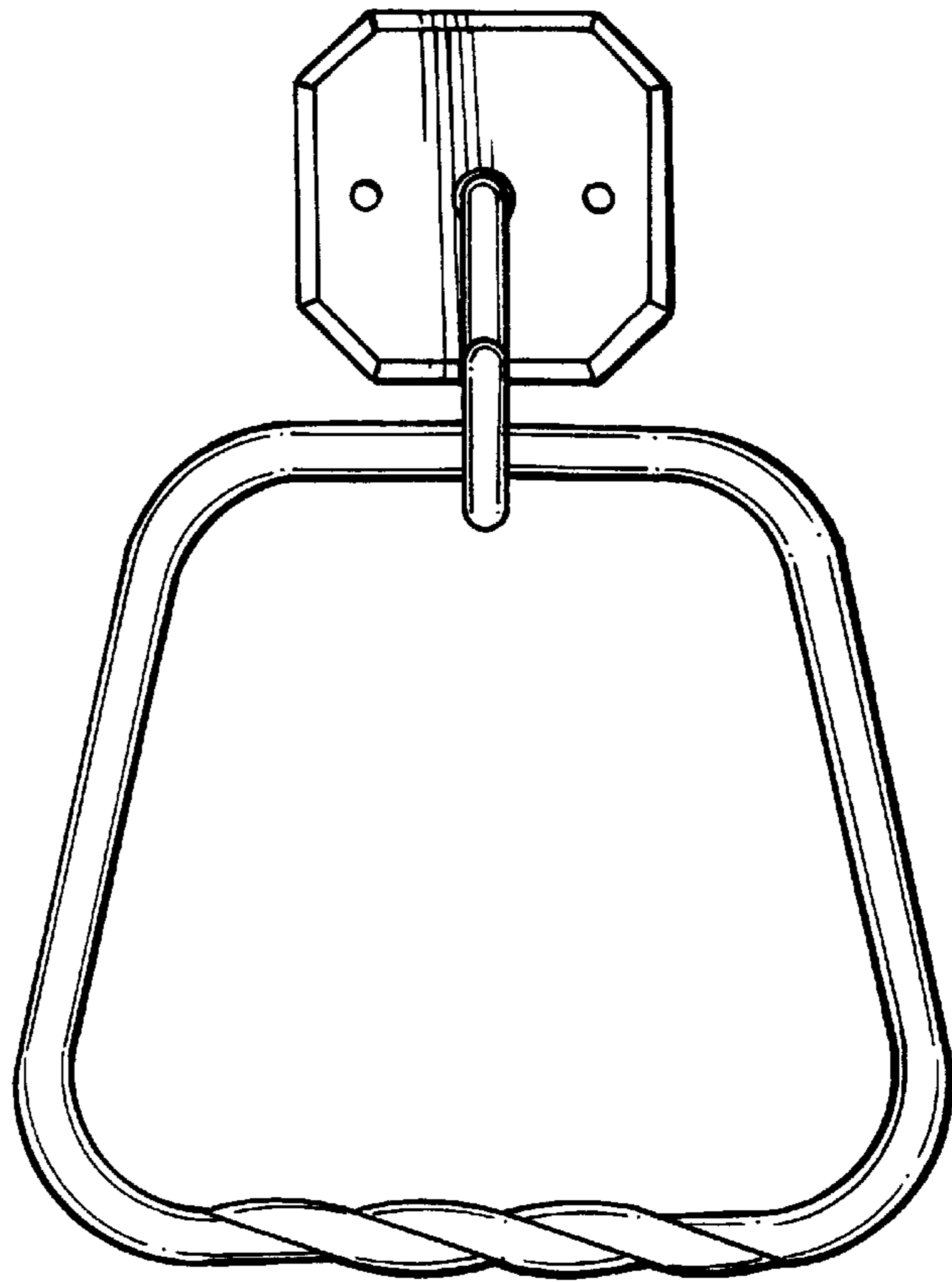


Fig-2

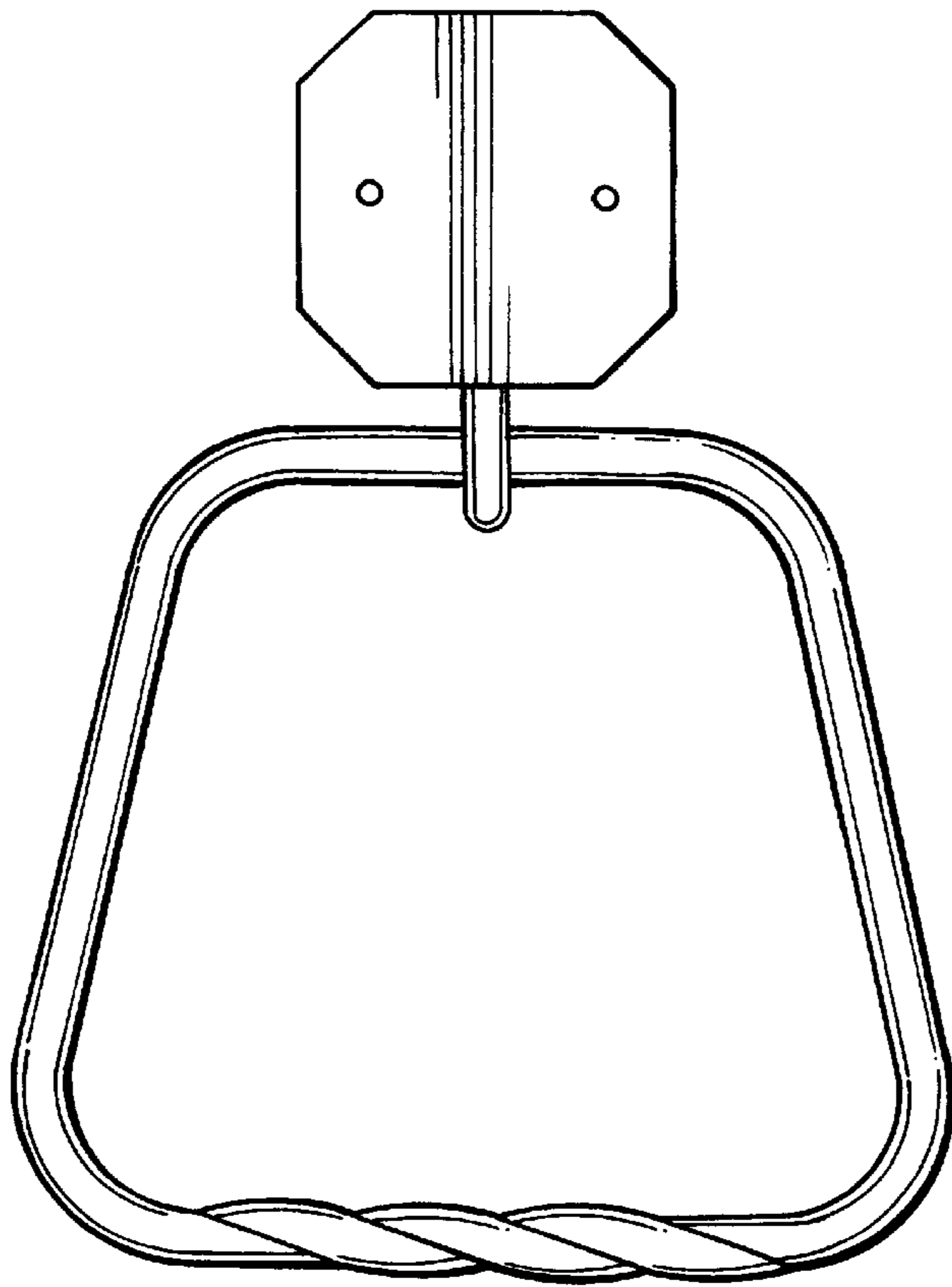


Fig-3

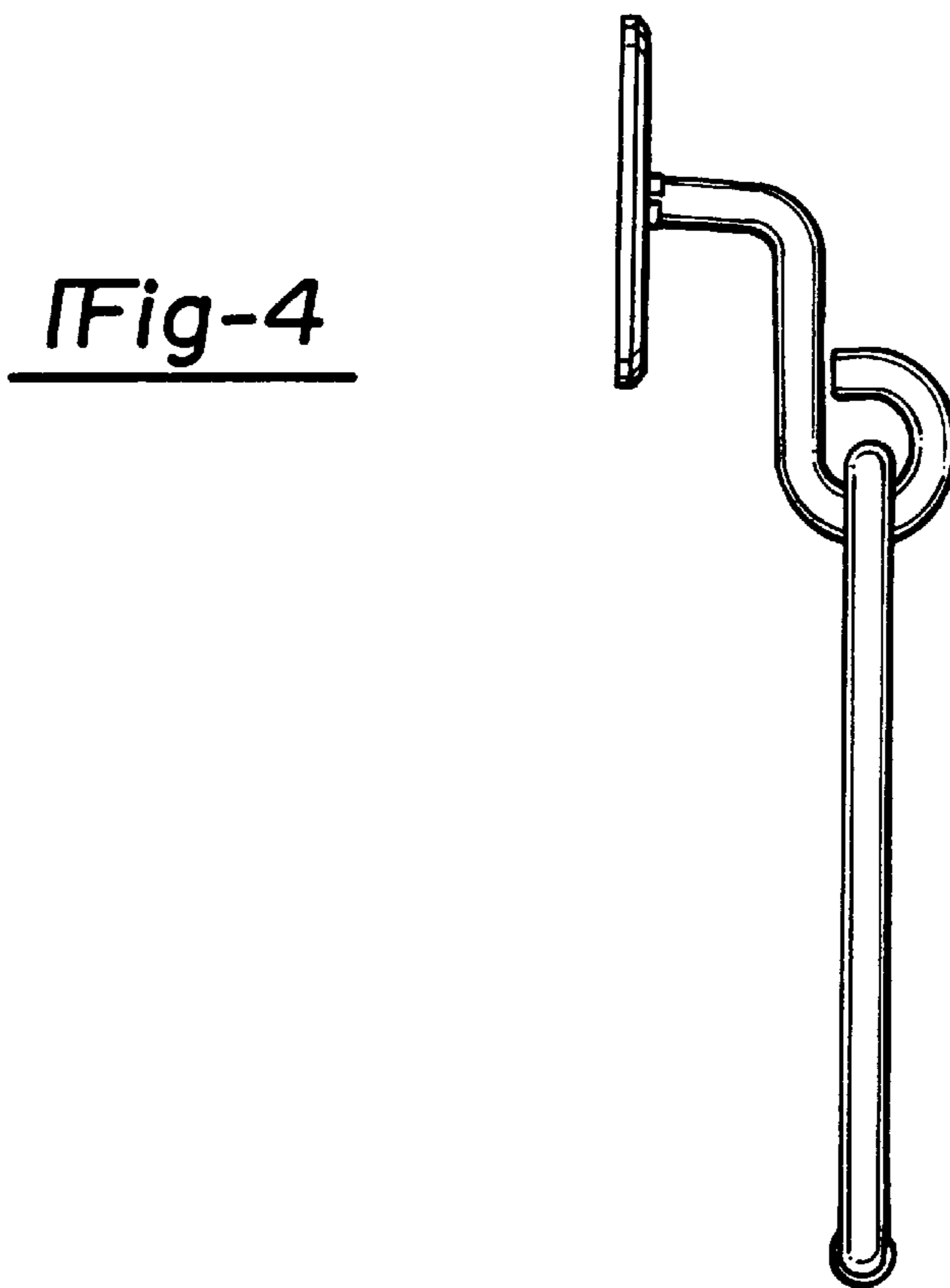


Fig-4

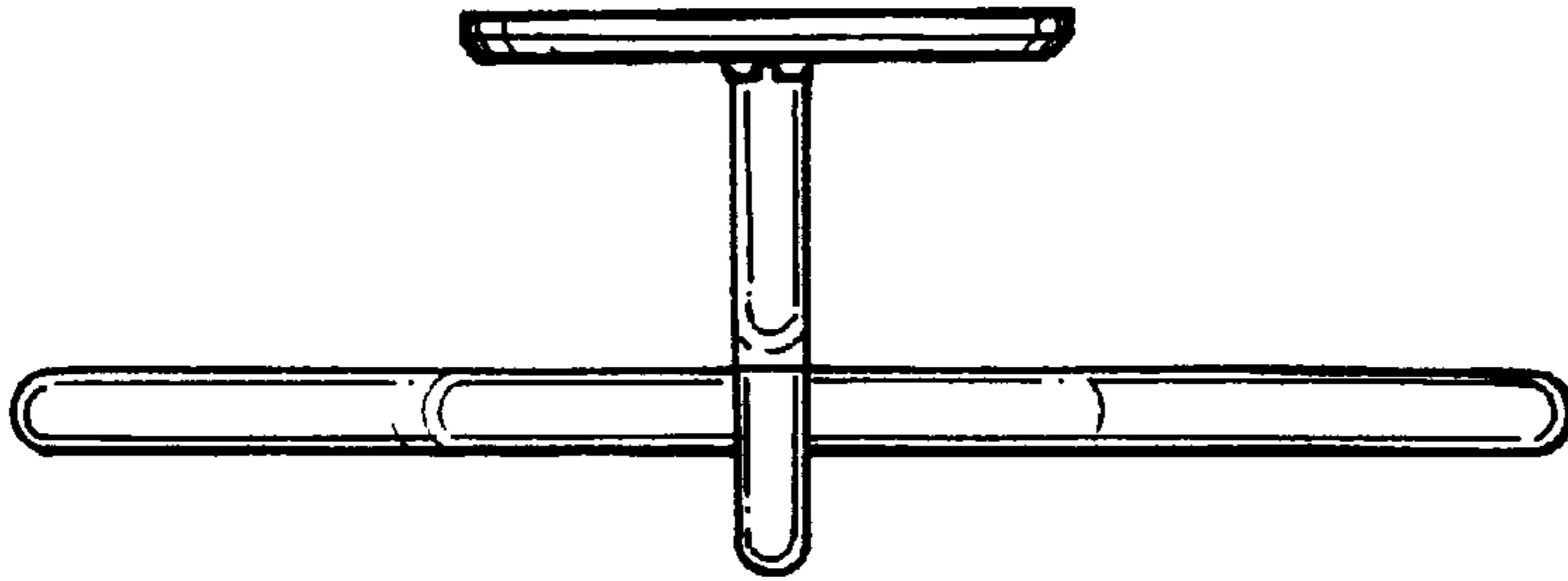


Fig-5

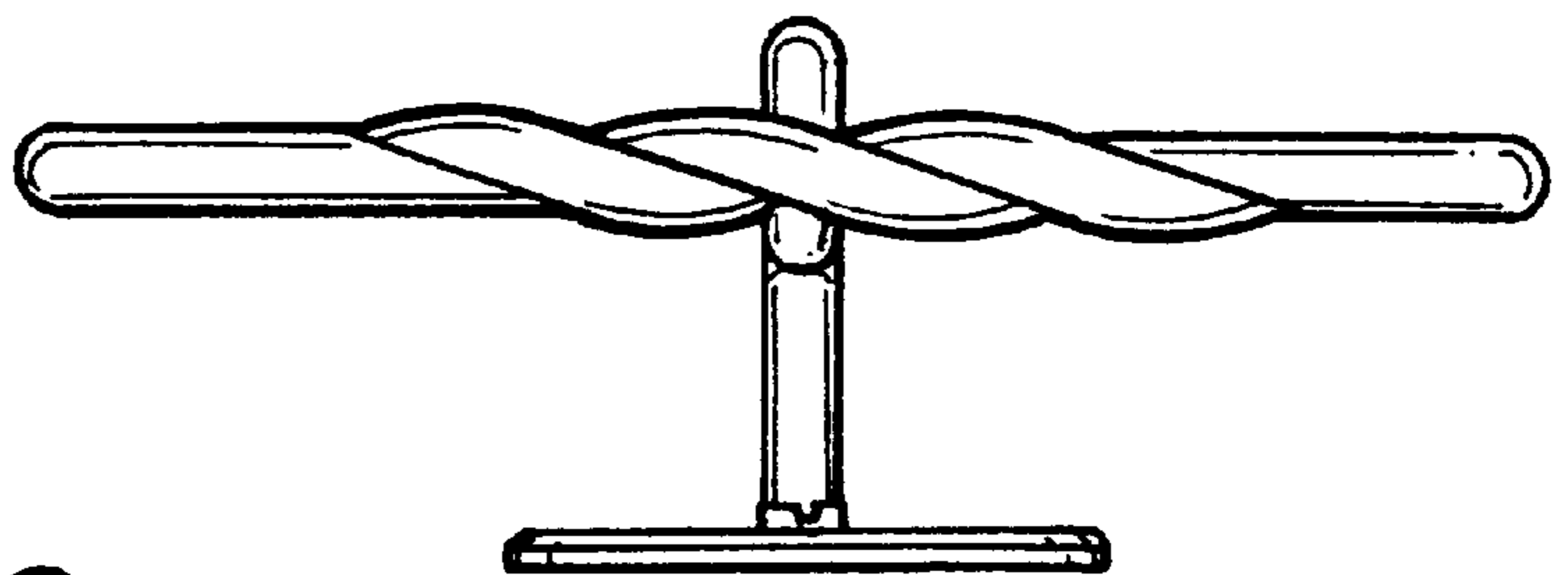


Fig-6