



US00D423846S

# United States Patent [19]

[11] Patent Number: **Des. 423,846**

Roth et al.

[45] Date of Patent: **\*\* May 2, 2000**

[54] **TOOTHBRUSH HOLDER**

[75] Inventors: **James Edward Roth**, Los Angeles;  
**Melinda Jane Shafran**, Reseda, both of Calif.

[73] Assignee: **Moen Incorporated**, North Olmsted, Ohio

[\*\*] Term: **14 Years**

[21] Appl. No.: **29/105,691**

[22] Filed: **Jun. 1, 1999**

[51] **LOC (7) Cl.** ..... **07-07**

[52] **U.S. Cl.** ..... **D6/531; D6/534**

[58] **Field of Search** ..... D6/528, 531, 534,  
D6/535, 524, 540; 211/13.1, 86-88, 134;  
248/309.1, 311.2, 360; D8/350-353

[56] **References Cited**

**U.S. PATENT DOCUMENTS**

- D. 22,705 8/1893 Bugh .
- D. 27,786 10/1897 Osgood .
- D. 30,917 5/1899 Schnarr .
- D. 39,774 1/1909 Eustis .
- D. 53,191 4/1919 Baker .
- D. 155,090 9/1949 Kiehl .
- D. 155,168 9/1949 Kiehl .
- D. 162,393 3/1951 Donaldson .
- D. 206,049 10/1966 Snyder .
- D. 231,056 4/1974 Tegner .

- D. 272,492 2/1984 Bennato .
- D. 299,099 12/1988 Gresens et al. .
- D. 337,681 7/1993 Sharpe ..... D6/531
- D. 343,085 1/1994 Bell ..... D6/524 X
- D. 355,320 2/1995 Jauregui ..... D6/540
- D. 358,287 5/1995 Sharpe ..... D6/531
- D. 362,615 9/1995 Shames et al. .
- D. 369,931 5/1996 Shames et al. .
- D. 386,342 11/1997 Moore ..... D6/531
- D. 390,397 2/1998 Chen .
- D. 392,139 3/1998 Wu .
- D. 393,166 4/1998 Sharpe .
- D. 394,971 6/1998 Moore .
- 2,701,114 2/1955 Donaldson ..... D6/540 X

*Primary Examiner*—Brian N. Vinson  
*Attorney, Agent, or Firm*—Dorn, McEachran, Jambor & Keating

[57] **CLAIM**

The ornamental design for a toothbrush holder, as shown and described.

**DESCRIPTION**

FIG. 1 is a front view of a toothbrush holder showing our new design;  
FIG. 2 is a top view thereof;  
FIG. 3 is a right side view of FIG. 1, the left side being a mirror image thereof;  
FIG. 4 is a bottom view thereof; and,  
FIG. 5 is a rear view thereof.

**1 Claim, 1 Drawing Sheet**

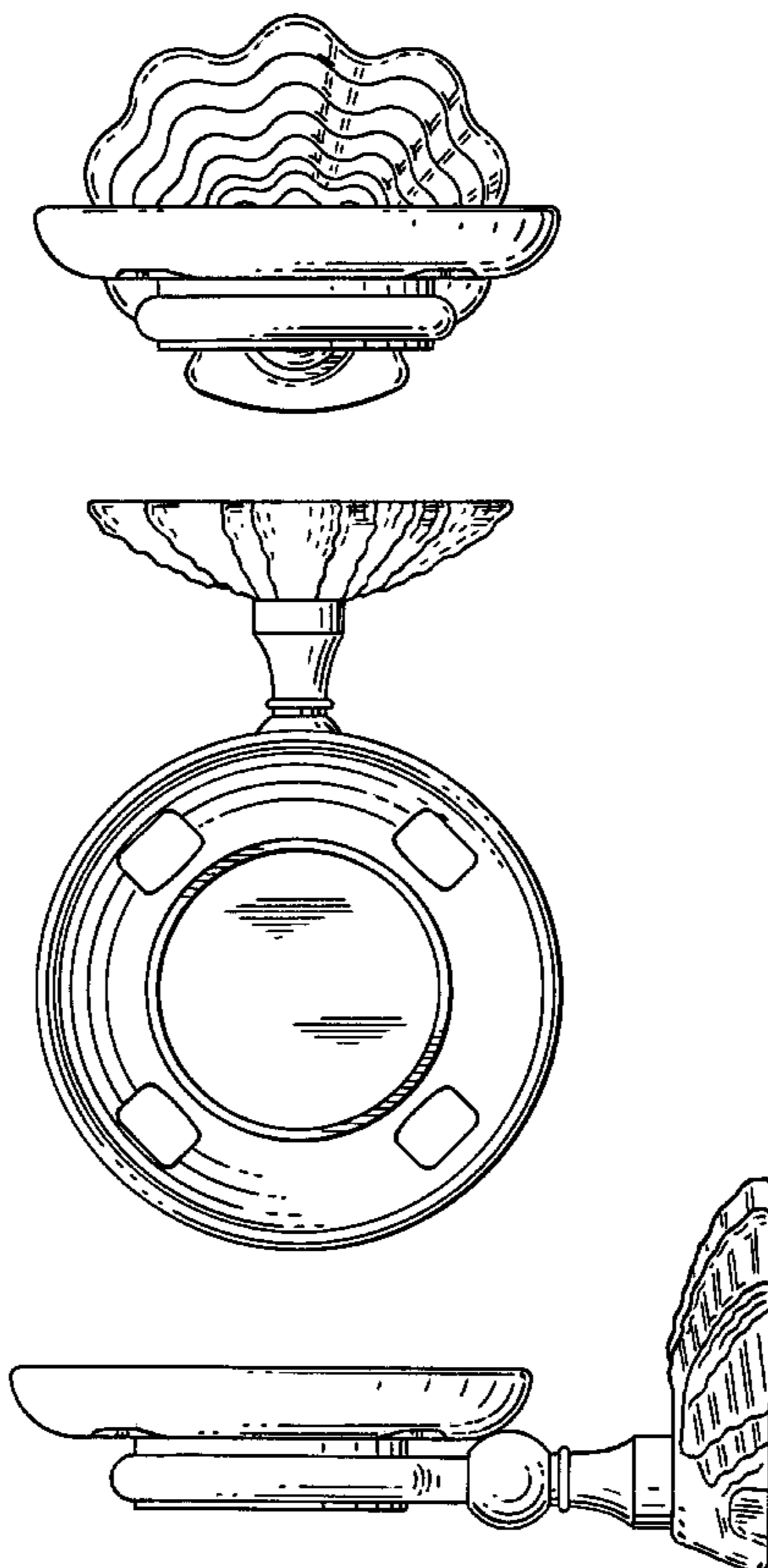


FIG. 1.

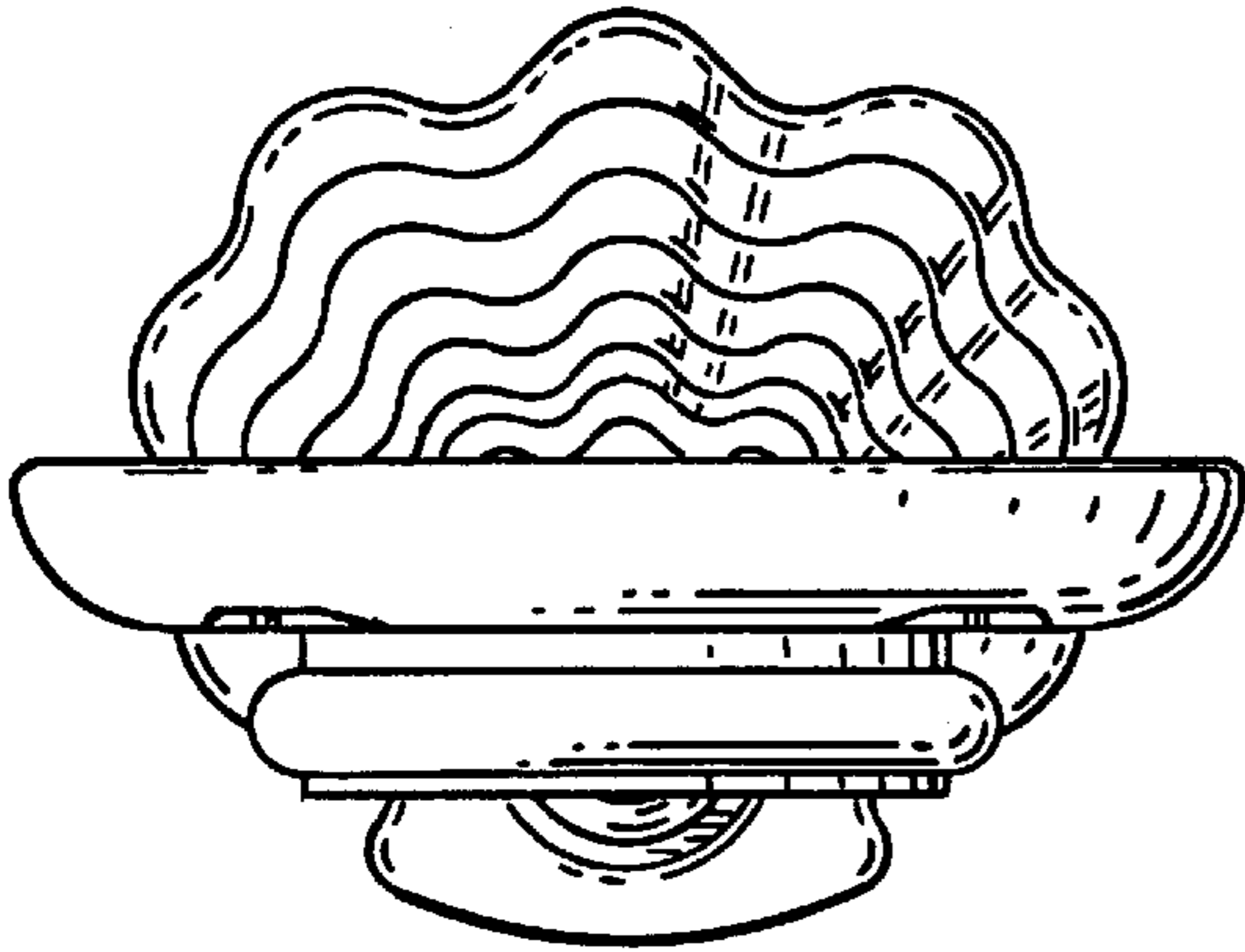


FIG. 5.

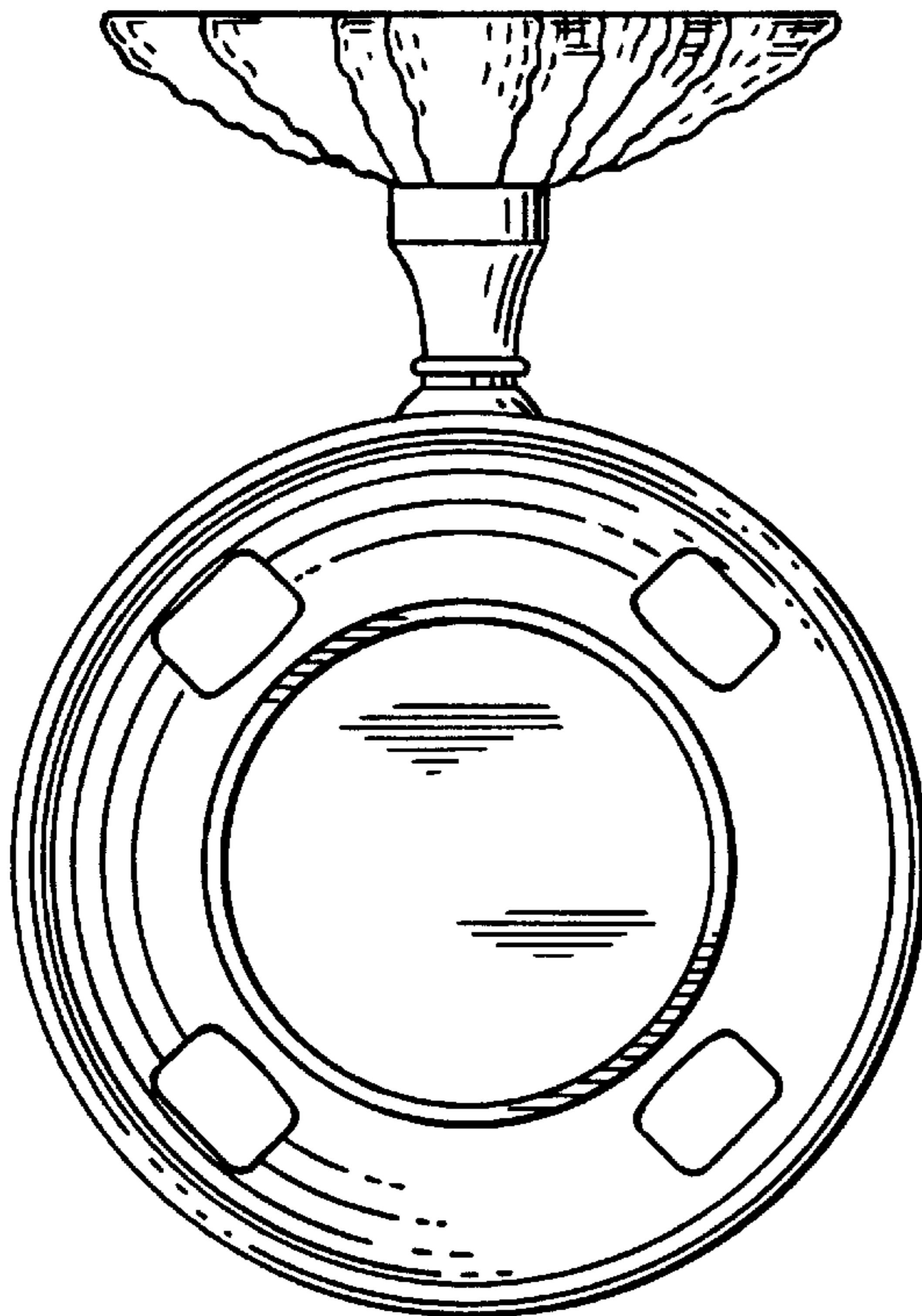
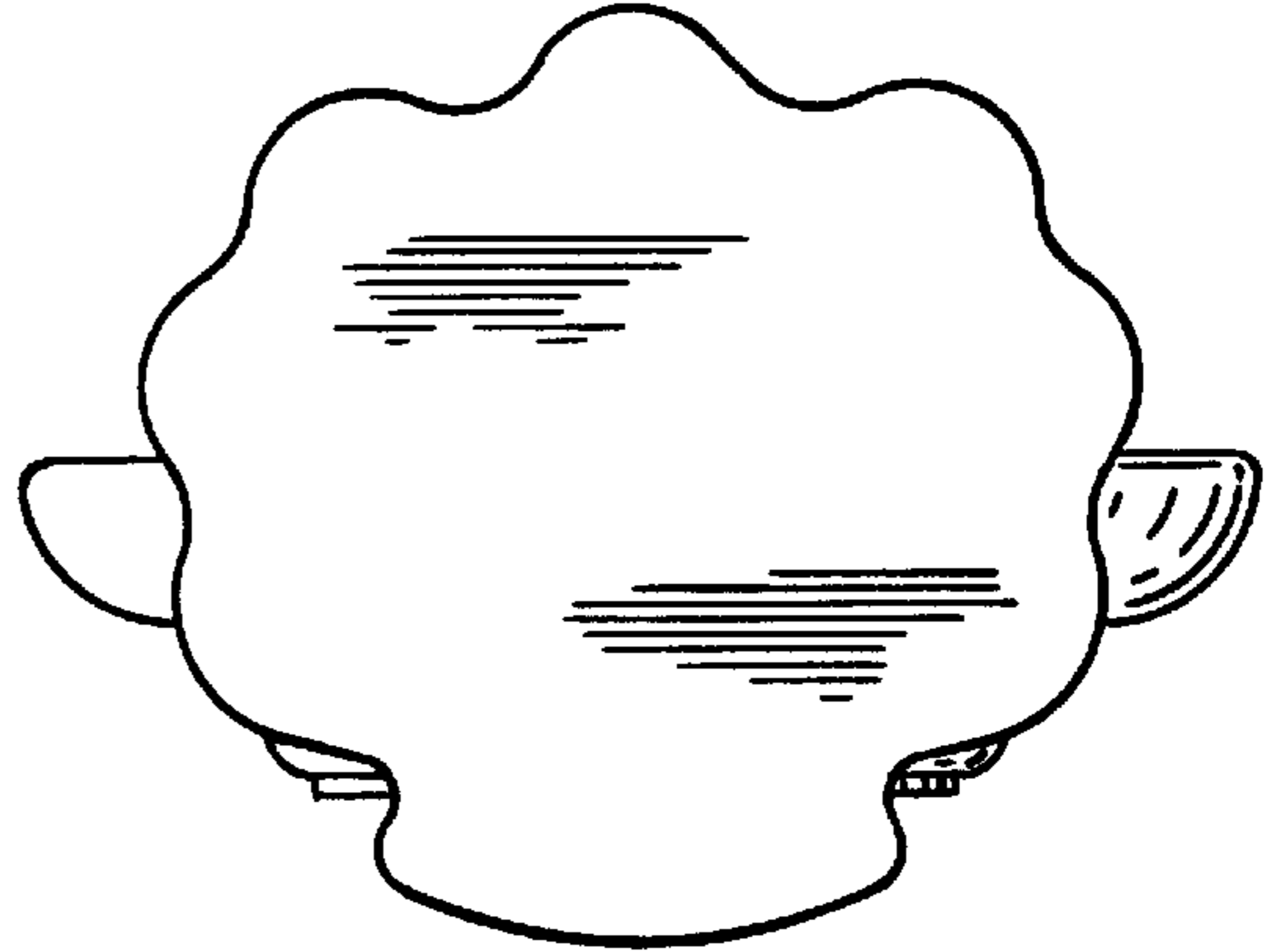


FIG. 4.

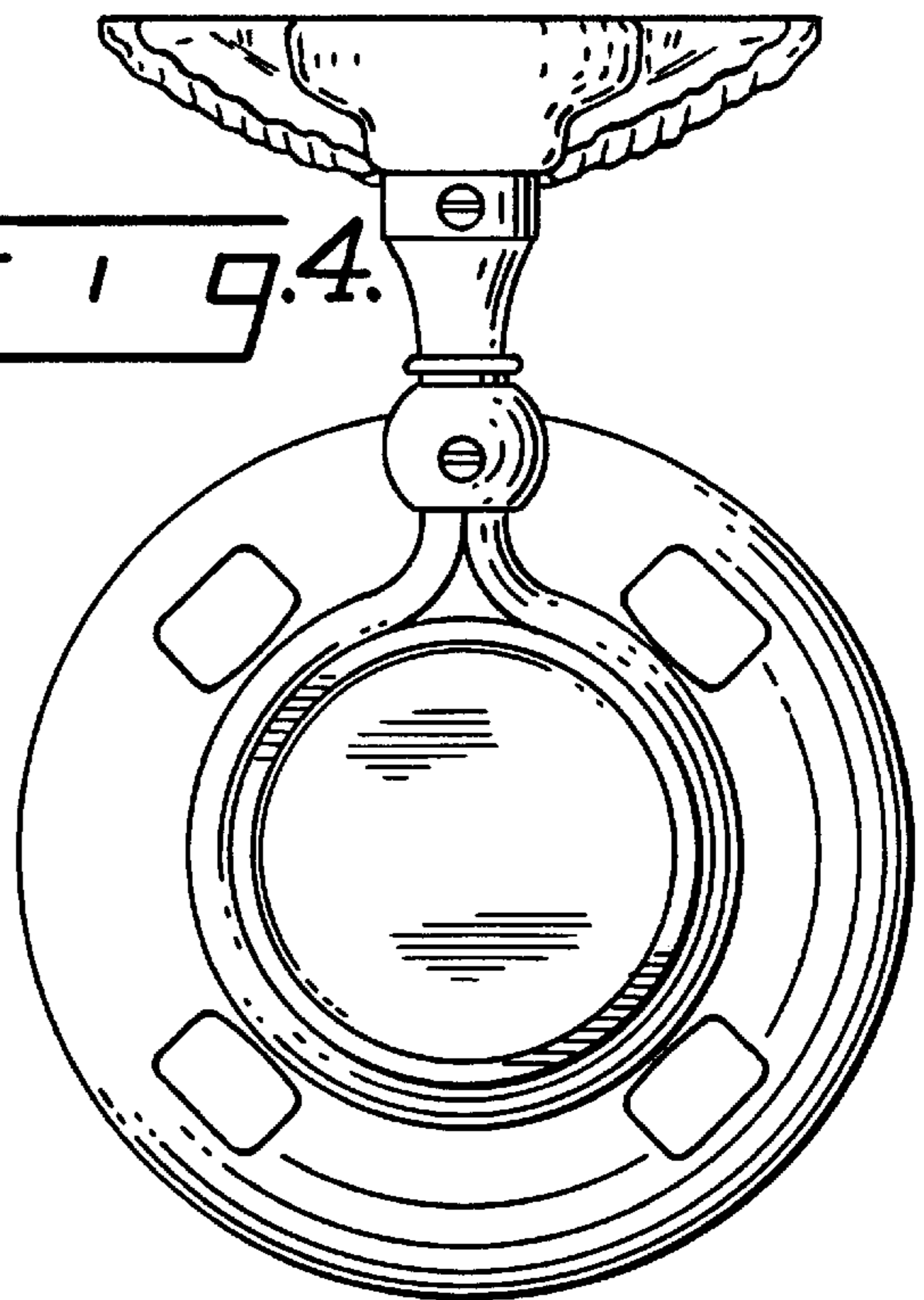


FIG. 2.

FIG. 3.

