



US00D423844S

United States Patent [19]

Bruns et al.

[11] Patent Number: **Des. 423,844**

[45] Date of Patent: **** May 2, 2000**

[54] **PLUNGER RECEPTACLE**

[76] Inventors: **Steven A. Bruns; Beverly J. Williams,**
both of 12145 200th St., Morrison,
Minn. 56345

[**] Term: **14 Years**

[21] Appl. No.: **29/102,811**

[22] Filed: **Apr. 1, 1999**

[51] **LOC (7) Cl.** **07-07**

[52] **U.S. Cl.** **D6/524; D6/551**

[58] **Field of Search** **D6/524, 525, 551;**
211/13.1; 206/216, 349

D. 393,169	4/1998	Cross et al. .	
D. 400,748	11/1998	France .	
D. 414,064	9/1999	Shafik	D6/525
4,432,451	2/1984	Hooser	206/216
5,114,006	5/1992	Wilk .	
5,305,880	4/1994	Wilk et al. .	
5,305,882	4/1994	Kaplan et al. .	
5,307,930	5/1994	Wilk et al. .	
5,456,356	10/1995	Kurzawa .	
5,927,492	7/1999	Moore	206/349

Primary Examiner—Brian N. Vinson
Attorney, Agent, or Firm—Albert W. Watkins

[57] CLAIM

We claim the ornamental design for a plunger receptacle, as shown and described.

DESCRIPTION

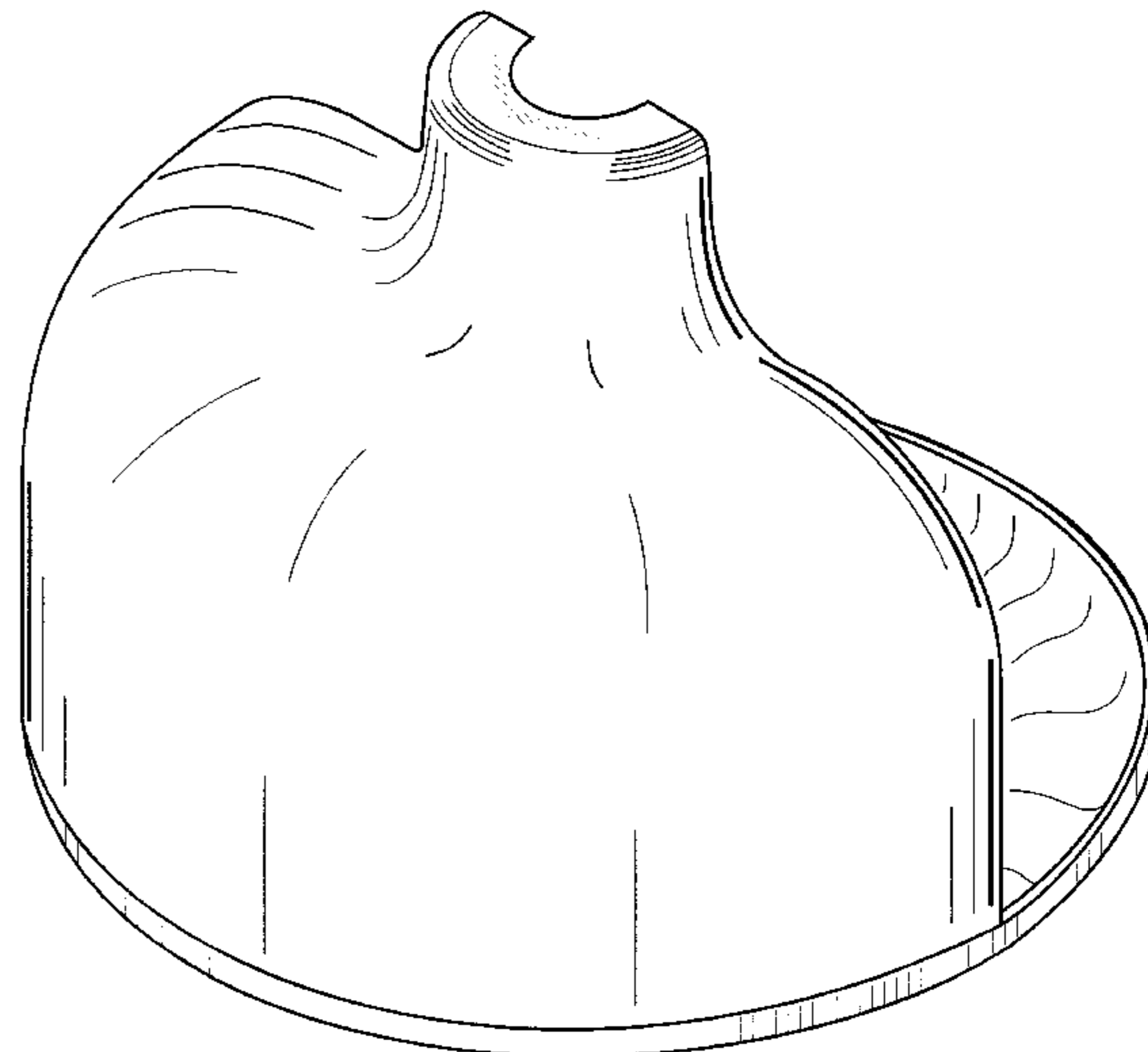
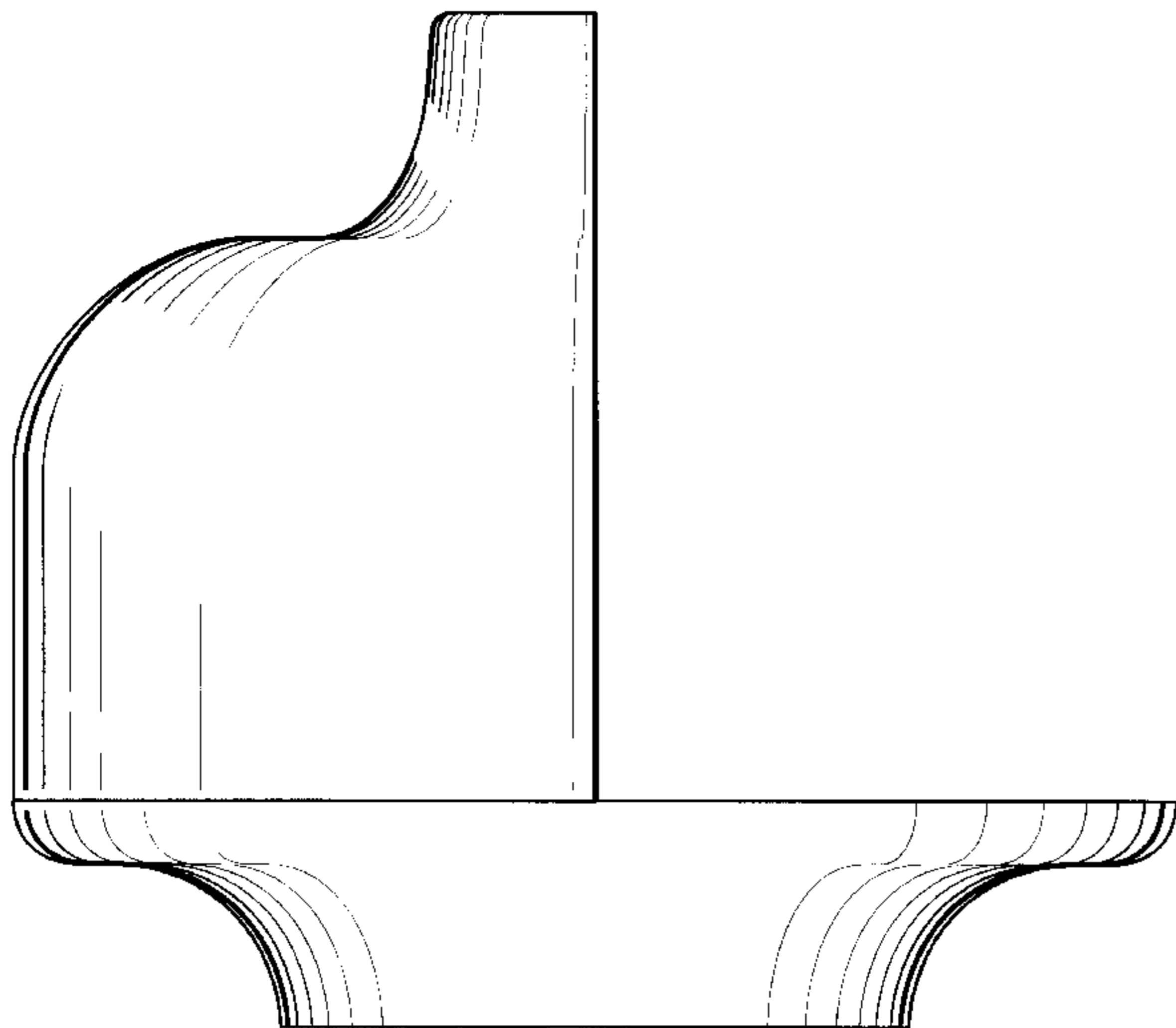
FIG. 1 is a right side view showing my new design;
FIG. 2 is a front side view thereof;
FIG. 3 is a front side view showing the base and top separated;
FIG. 4 is a top view thereof;
FIG. 5 is a projected view showing the base and top separated; and,
FIG. 6 is a projected view thereof.

1 Claim, 5 Drawing Sheets

[56] References Cited

U.S. PATENT DOCUMENTS

D. 158,504	5/1950	Ragusa	D6/551
D. 238,917	2/1976	Vrignaud .	
D. 272,874	3/1984	Cohen .	
D. 315,269	3/1991	Brazis .	
D. 315,989	4/1991	Levien .	
D. 334,681	4/1993	Callicut .	
D. 356,893	4/1995	Conmy .	
D. 362,575	9/1995	Bird et al. .	
D. 368,820	4/1996	Sander .	
D. 370,376	6/1996	Mifsud .	
D. 383,935	9/1997	Zawalsky .	



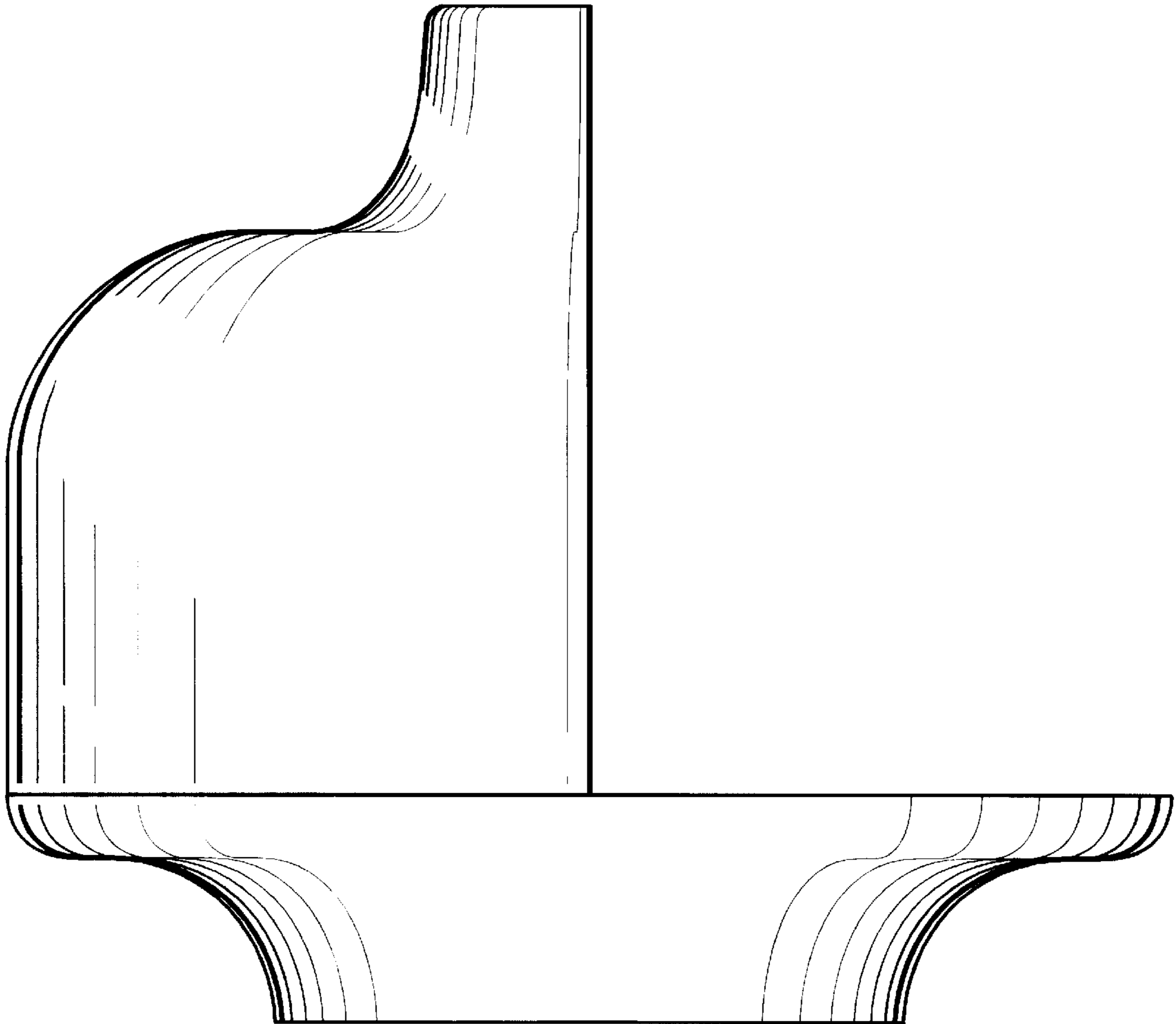


FIG. 1

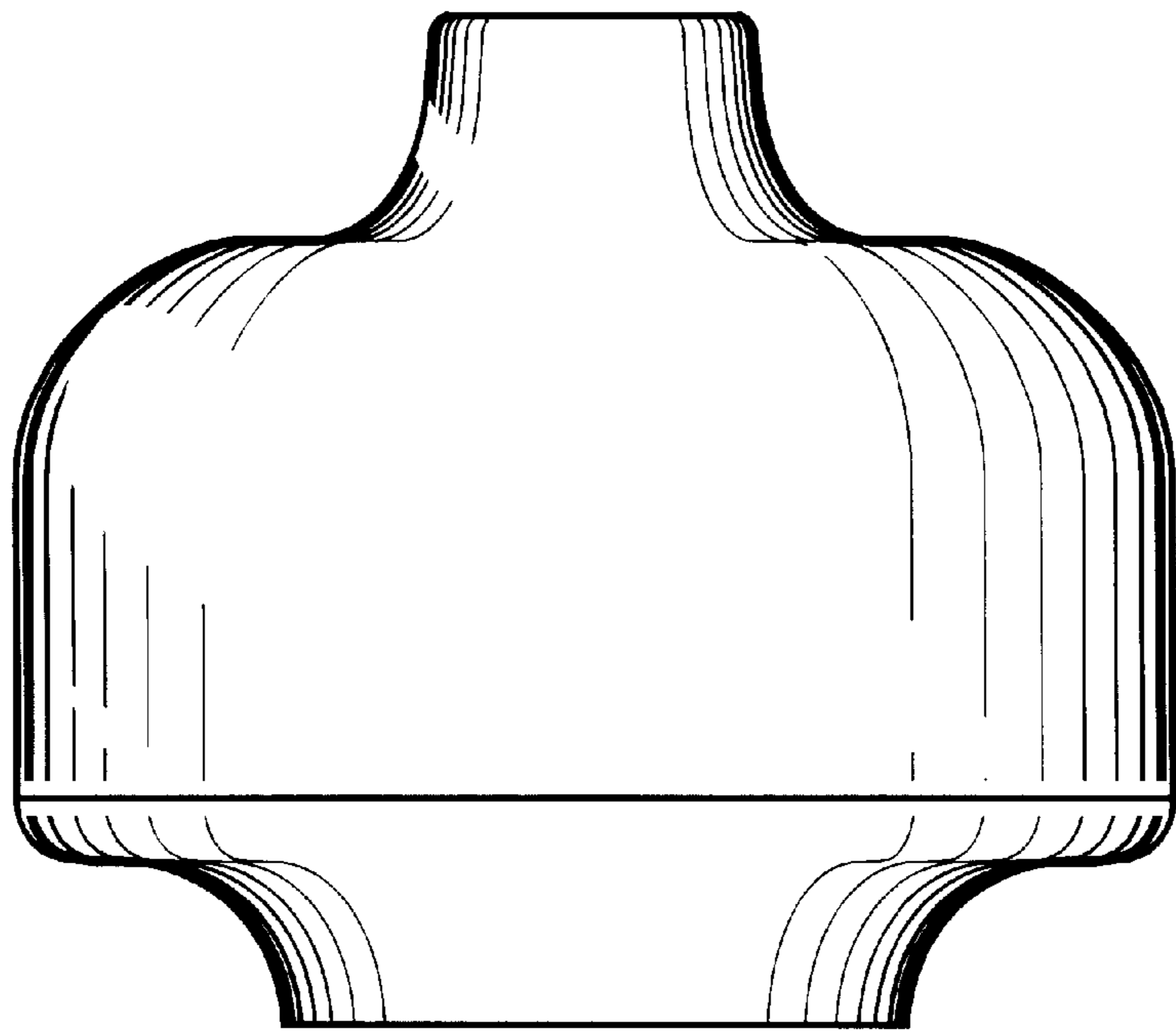


FIG. 2

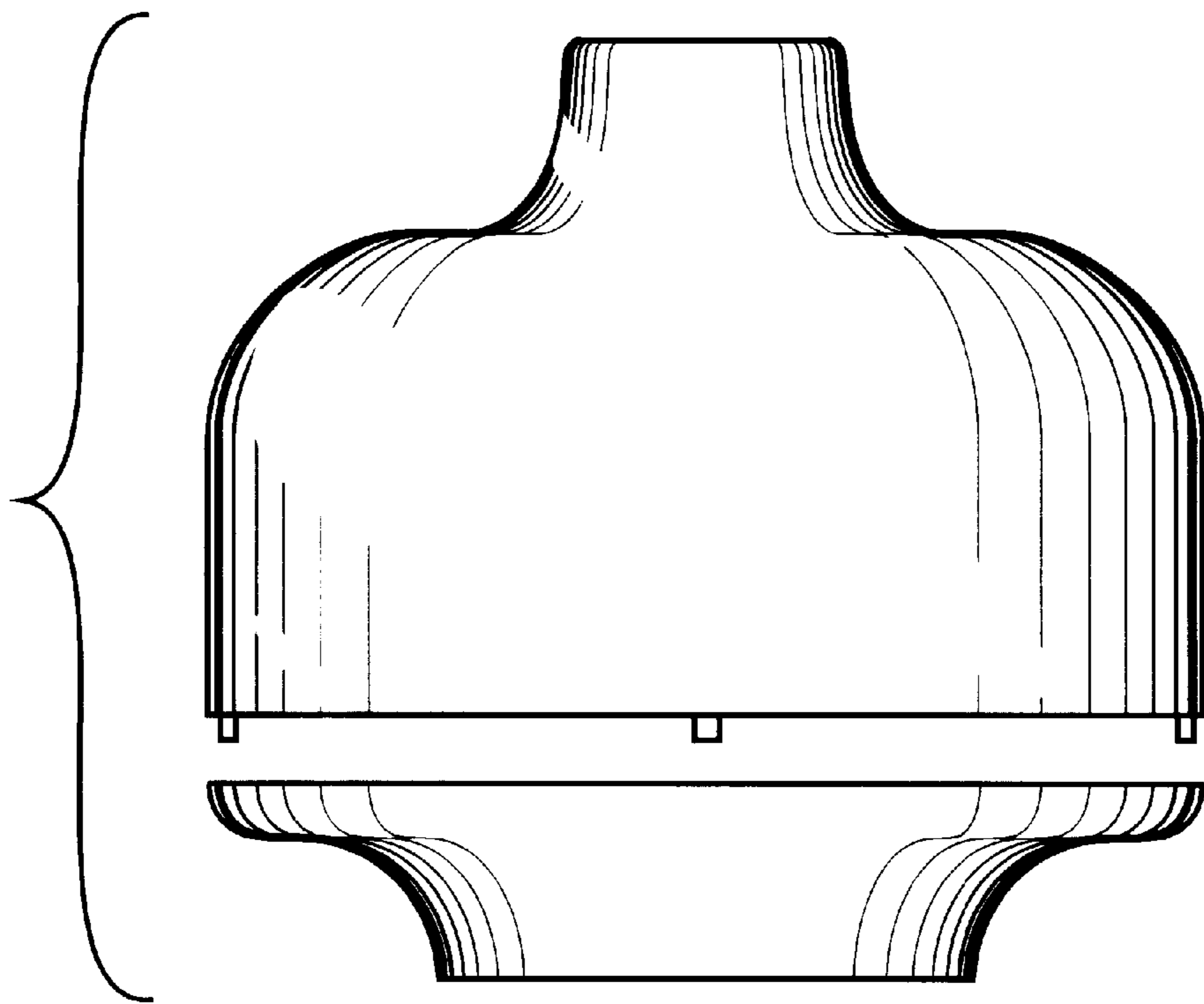


FIG. 3

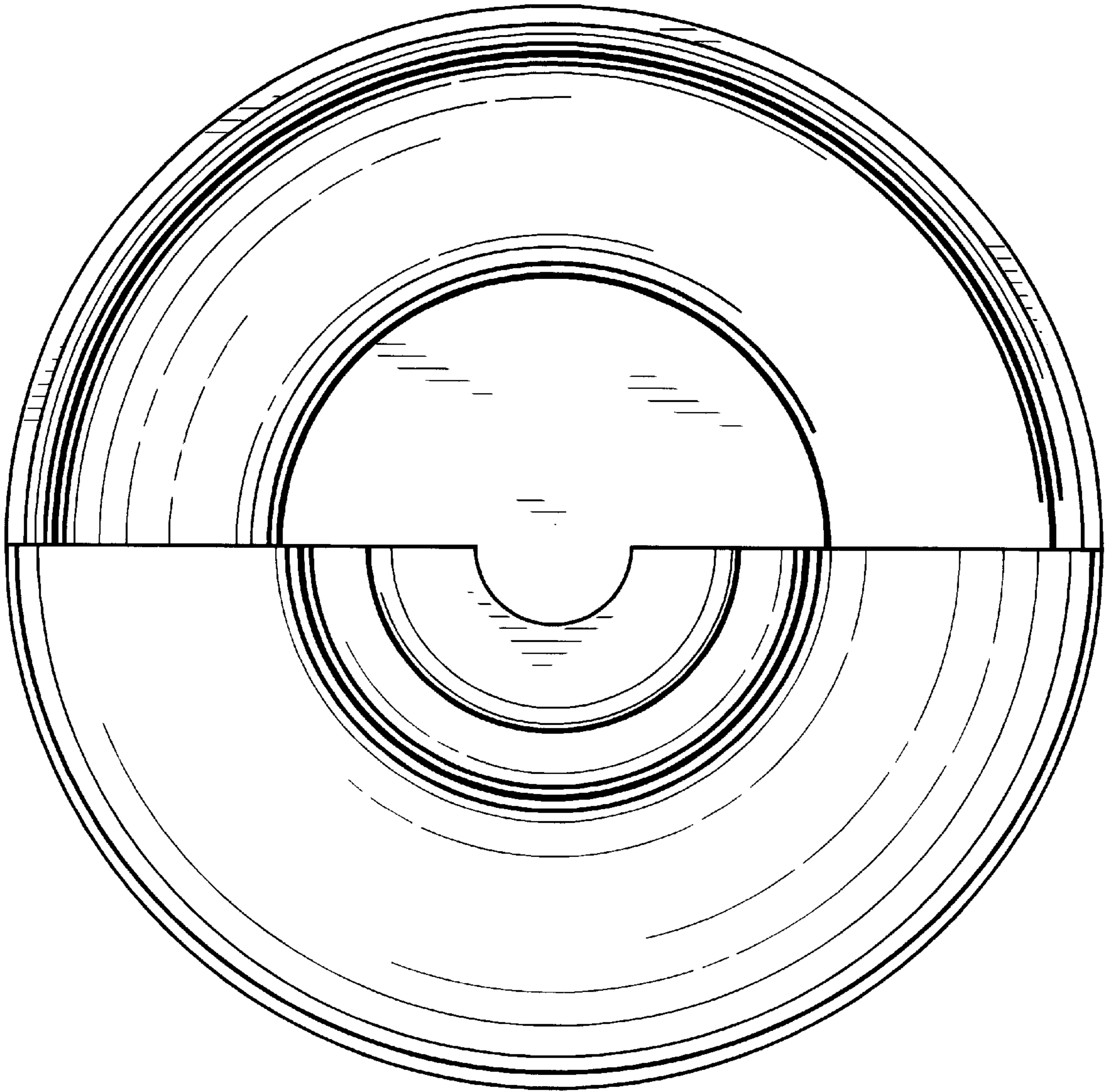


FIG. 4



FIG. 5

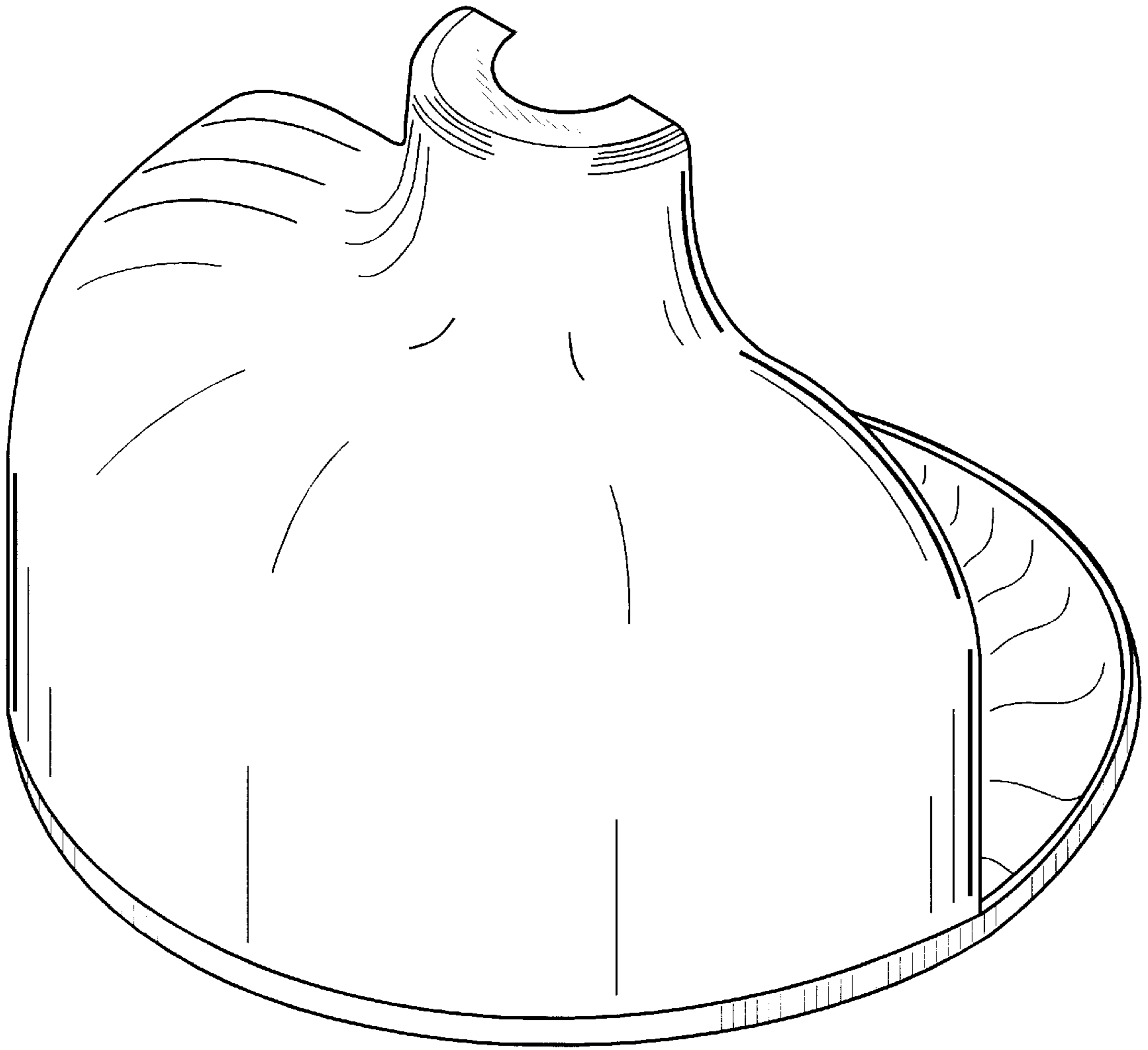


FIG. 6