



US00D423841S

United States Patent [19]

[11] Patent Number: **Des. 423,841**

Kerr et al.

[45] Date of Patent: **** May 2, 2000**

[54] **T-SHIRT BAG RACK DISPENSER**

5,667,173 9/1997 Wilfong, Jr. et al. 248/100

[75] Inventors: **Jonathan F. Kerr**, Paradise Valley, Ariz.; **Peter D. Dieterich, Jr.**, Mill Valley, Calif.

Primary Examiner—Brian N. Vinson
Attorney, Agent, or Firm—Flehr Hohbach Test Albritton & Herbert LLP

[73] Assignee: **Handle Helper, L.P.**, San Francisco, Calif.

[57] **CLAIM**

[**] Term: **14 Years**

The ornamental design for a T-shirt bag rack dispenser, as shown and described.

[21] Appl. No.: **29/101,929**

DESCRIPTION

[22] Filed: **Mar. 15, 1999**

[51] **LOC (7) Cl.** **07-07**

[52] **U.S. Cl.** **D6/515; D34/5**

[58] **Field of Search** D6/515, 517, 566; D34/5; 248/100, 95

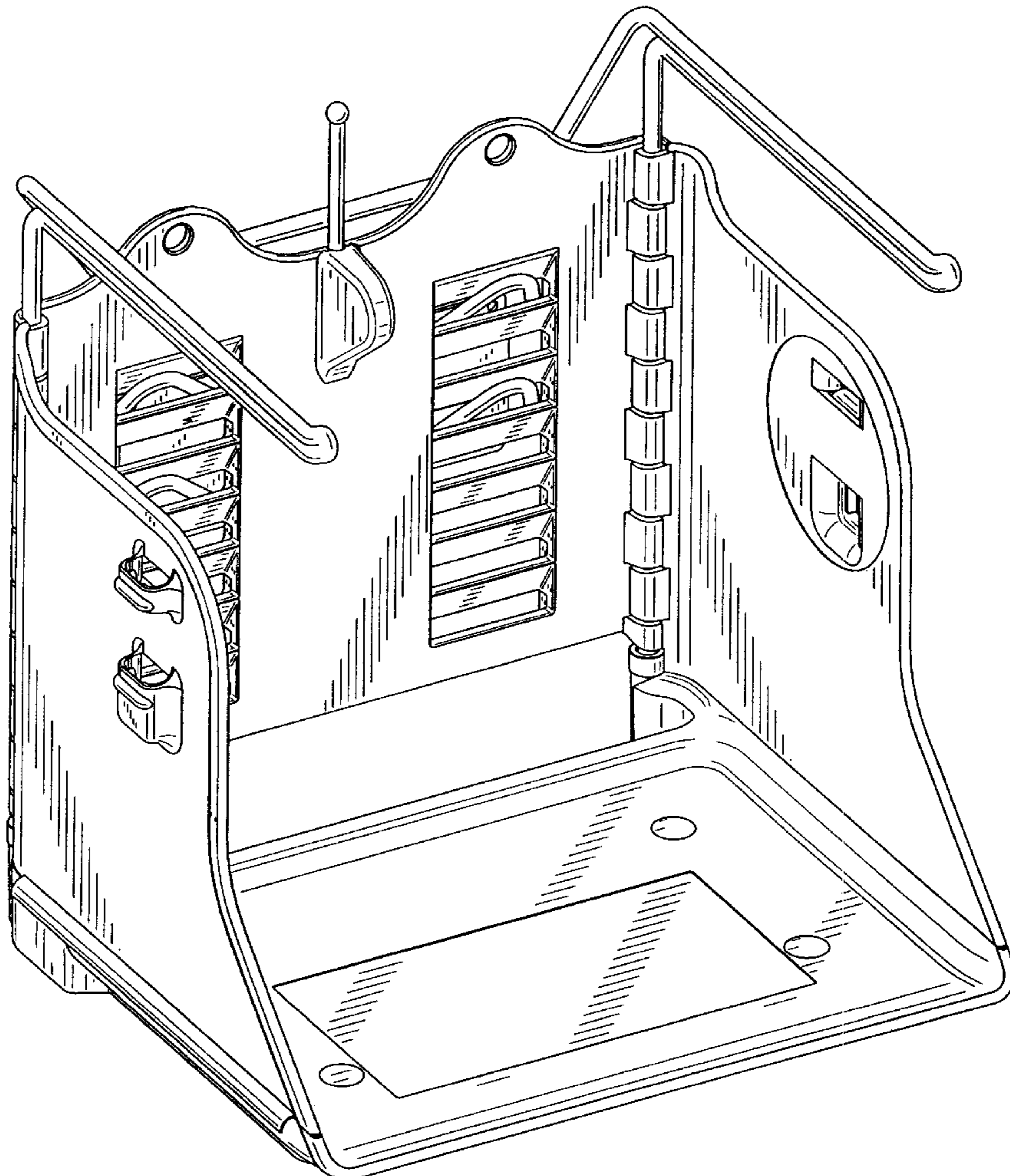
FIG. 1 is a front perspective view of the bag rack dispenser of the present invention;
FIG. 2 is a rear perspective view of the bag rack dispenser;
FIG. 3 is a bottom perspective view of the bag rack dispenser;
FIG. 4 is a rear elevation view of the bag rack dispenser;
FIG. 5 is a side elevation view of the bag rack dispenser. The opposite side of the bag rack dispenser is identical;
FIG. 6 is a rear elevation view of the bag rack dispenser with its mounting bracket secured thereon;
FIG. 7 is a rear elevation view with the display placard secured to the mounting bracket; and,
FIG. 8 is a bottom plan view of the bag rack dispenser.

[56] **References Cited**

U.S. PATENT DOCUMENTS

D. 264,651	6/1982	Adamson	D6/515
D. 367,139	2/1996	Brown	D34/5
4,840,336	6/1989	Stroh et al.	248/100 X
5,190,253	3/1993	Sable	248/100 X

1 Claim, 8 Drawing Sheets



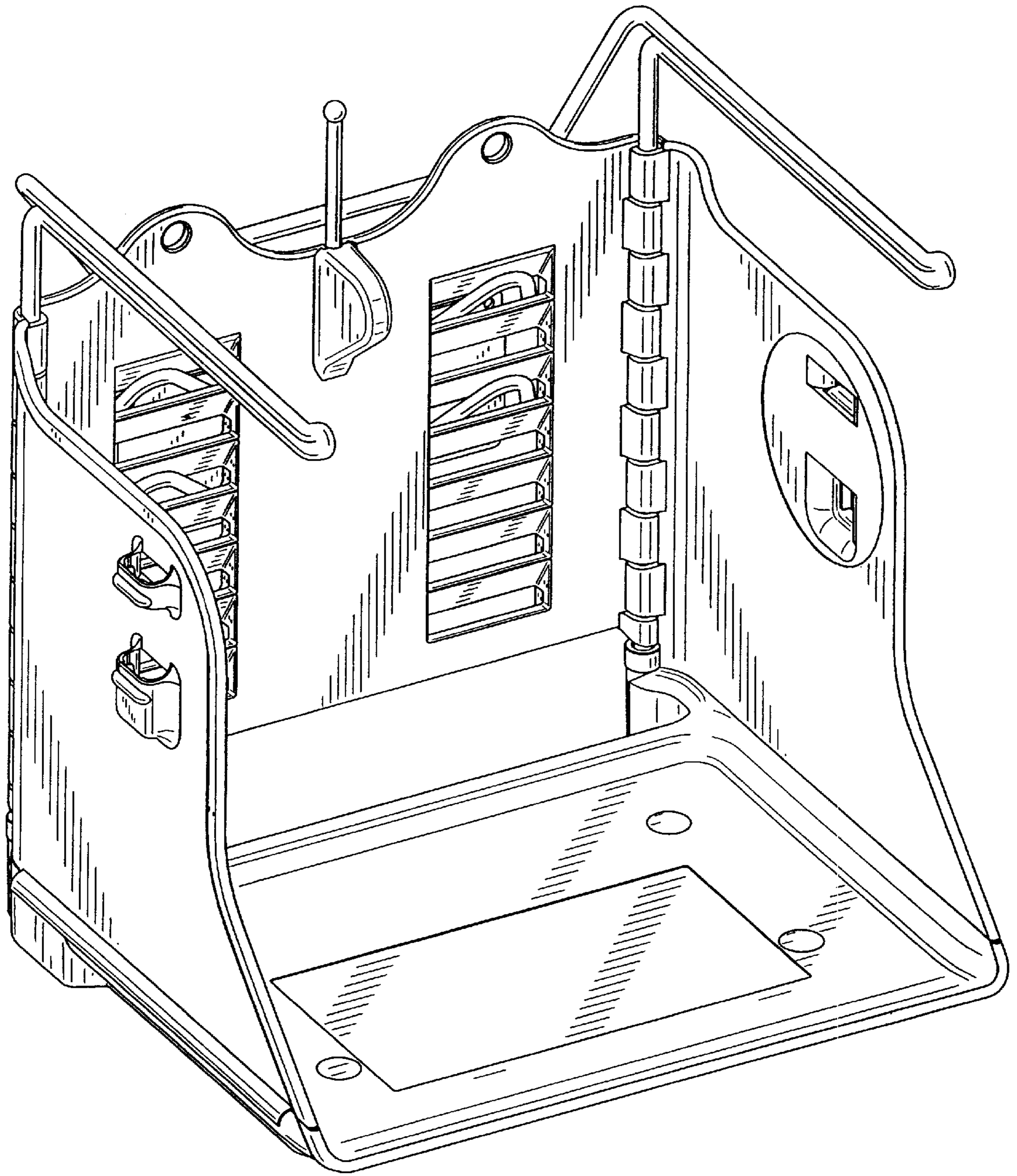


FIG. 1

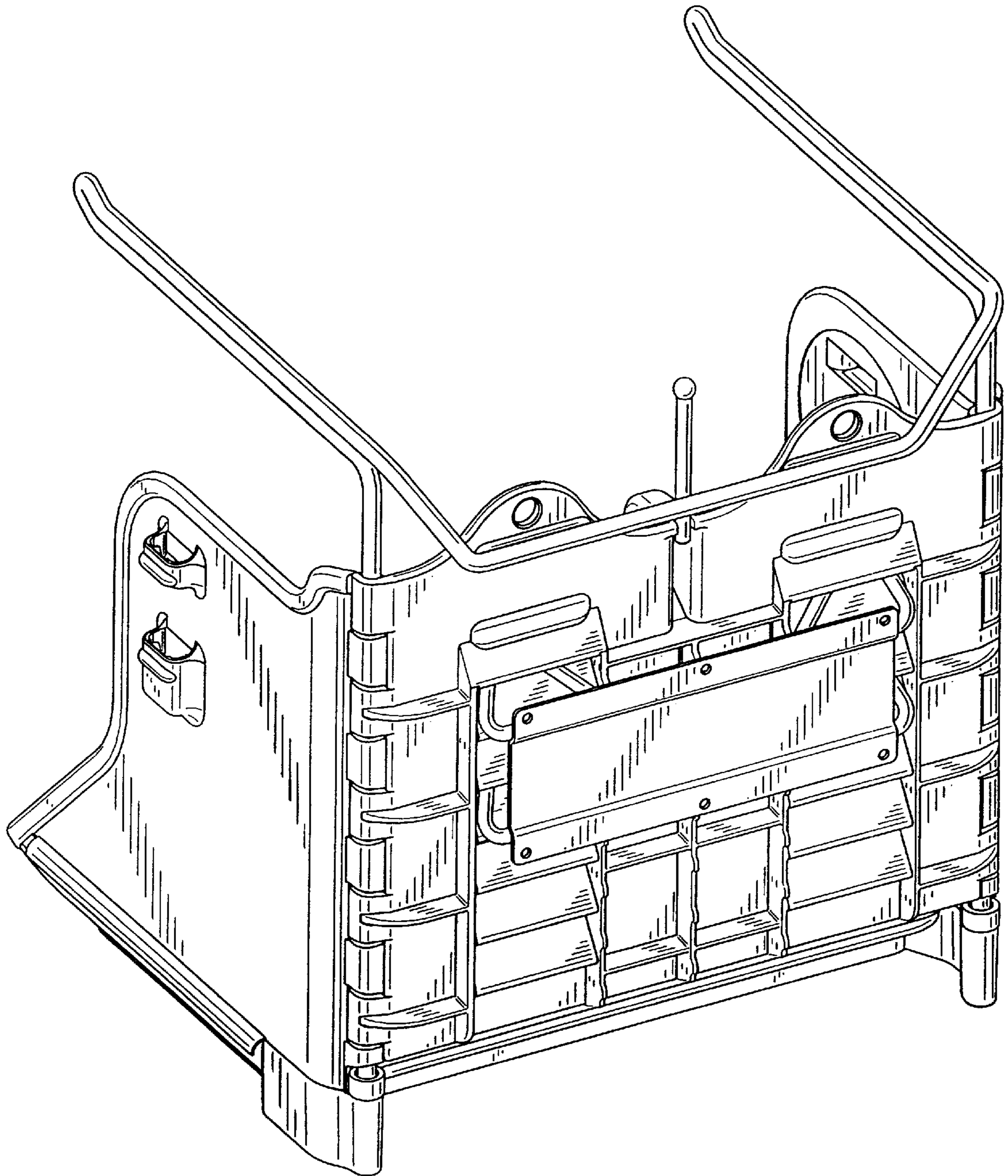


FIG. 2

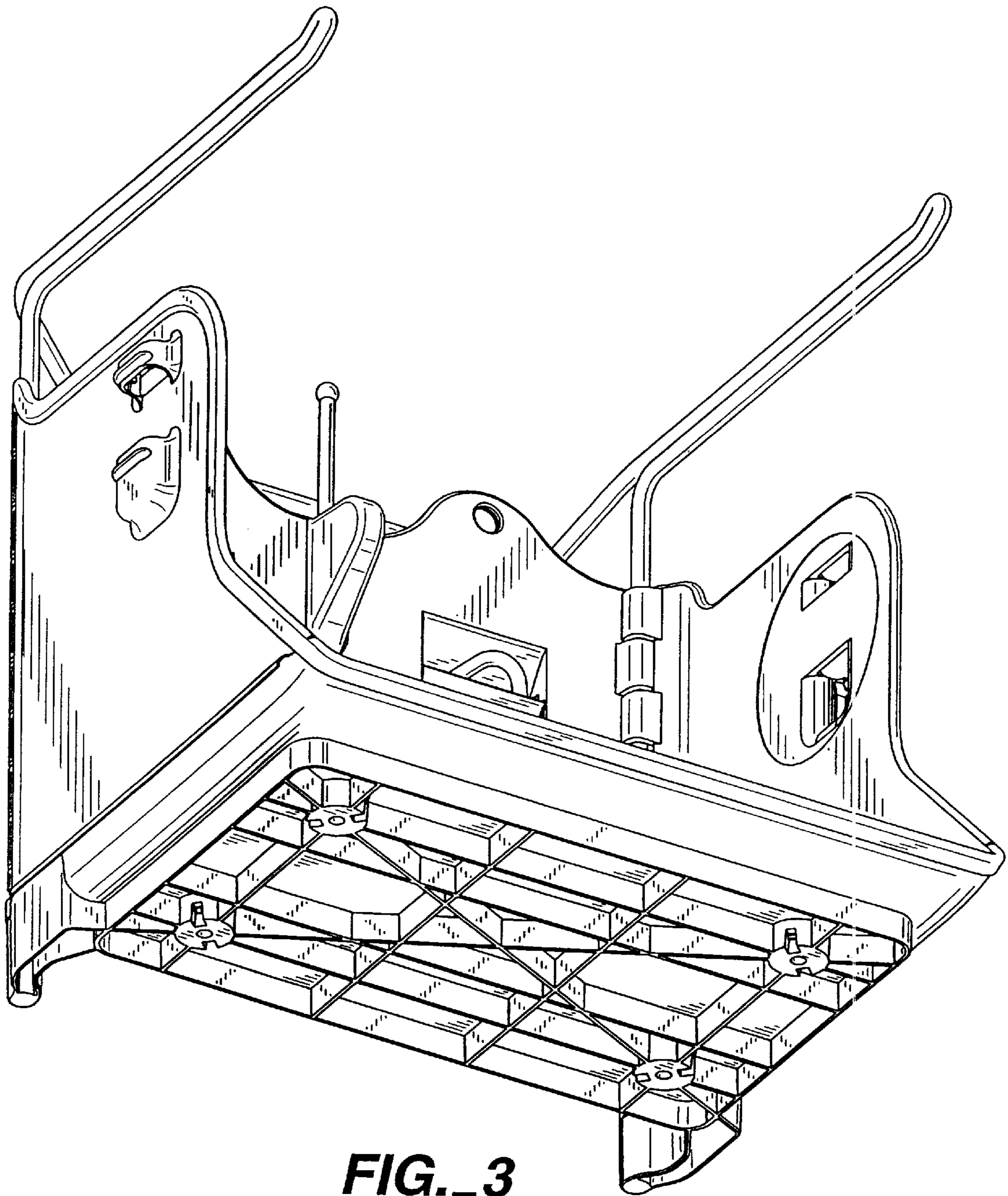


FIG. 3

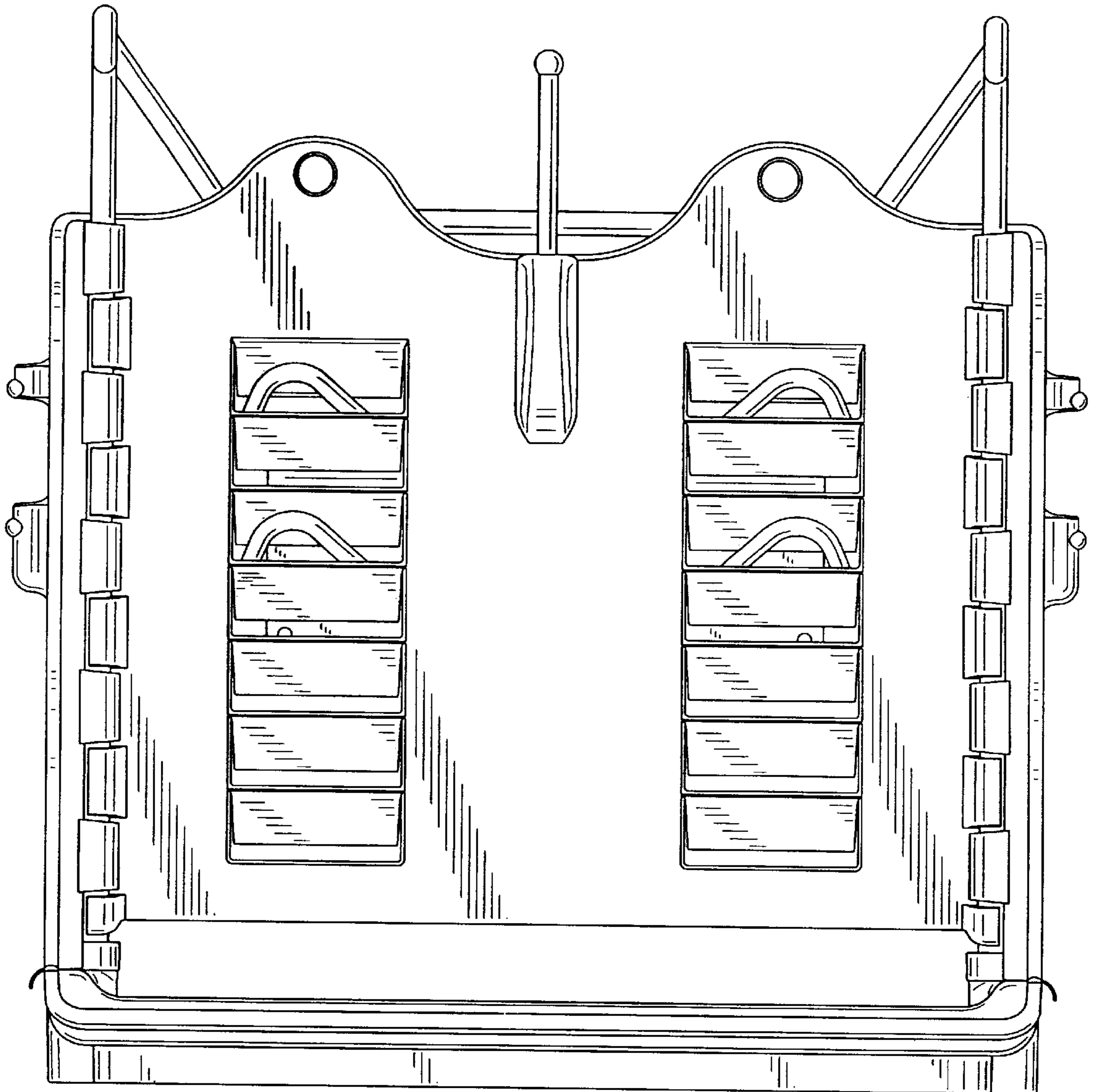


FIG. 4

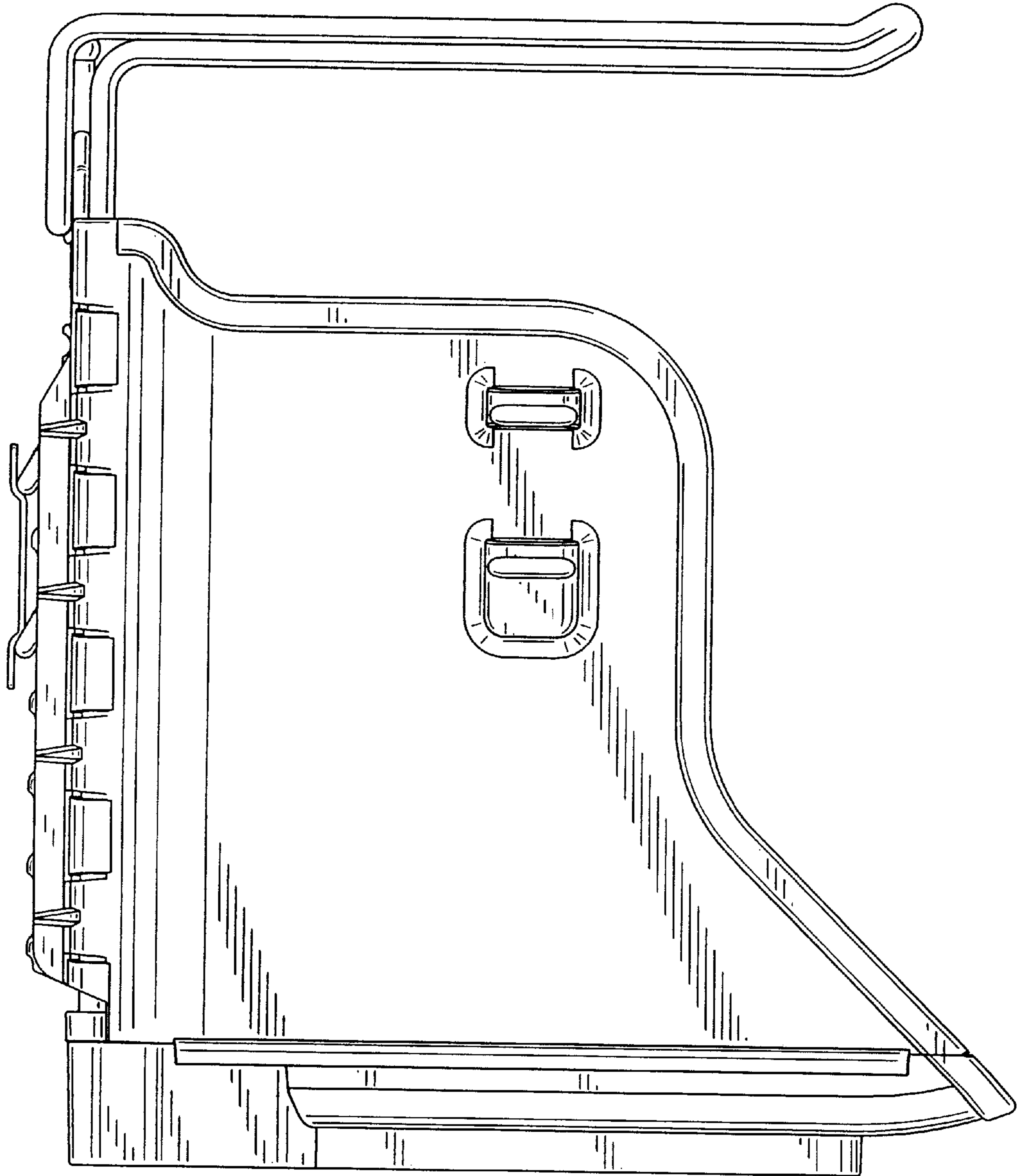


FIG. 5

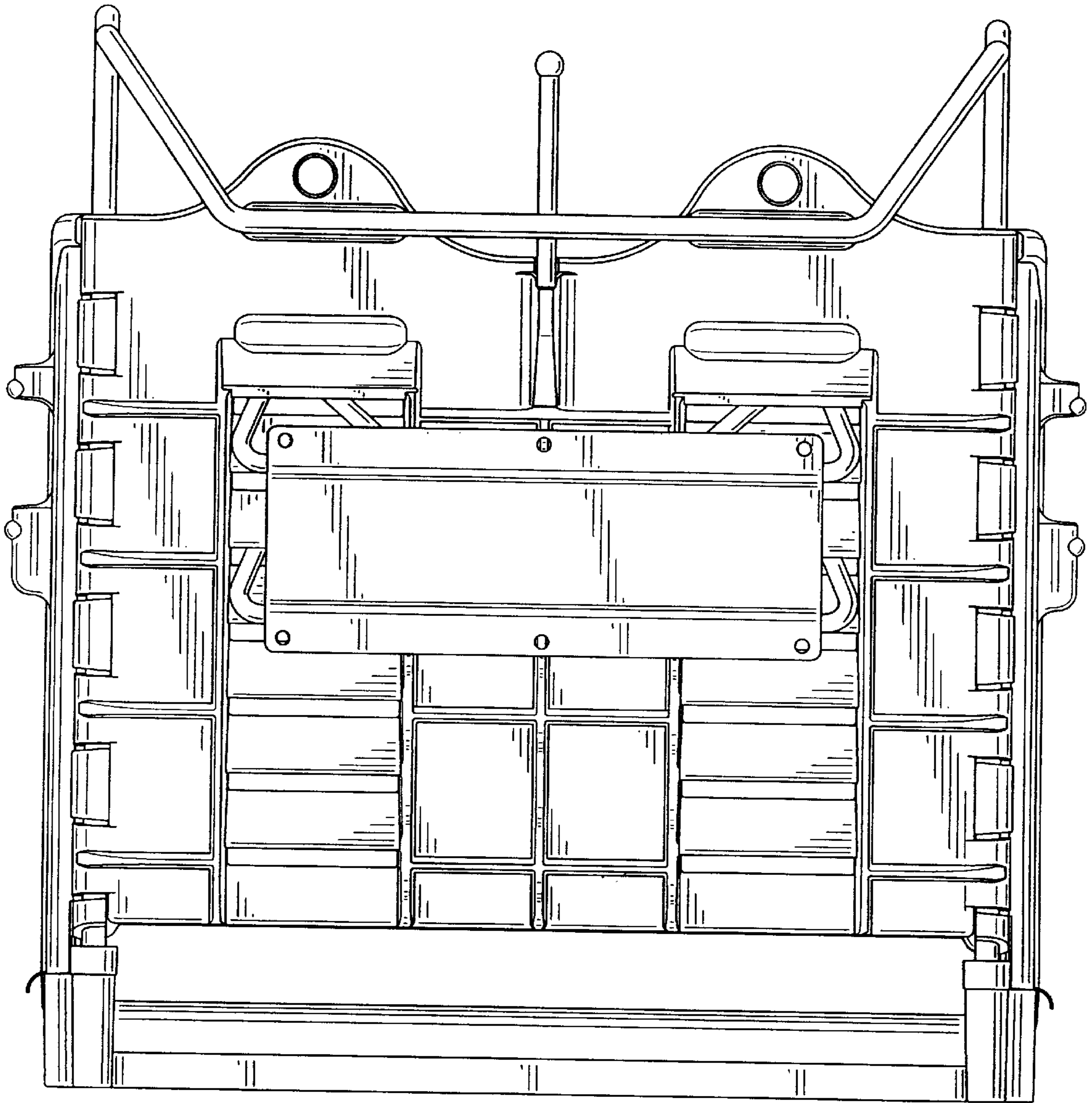


FIG. 6

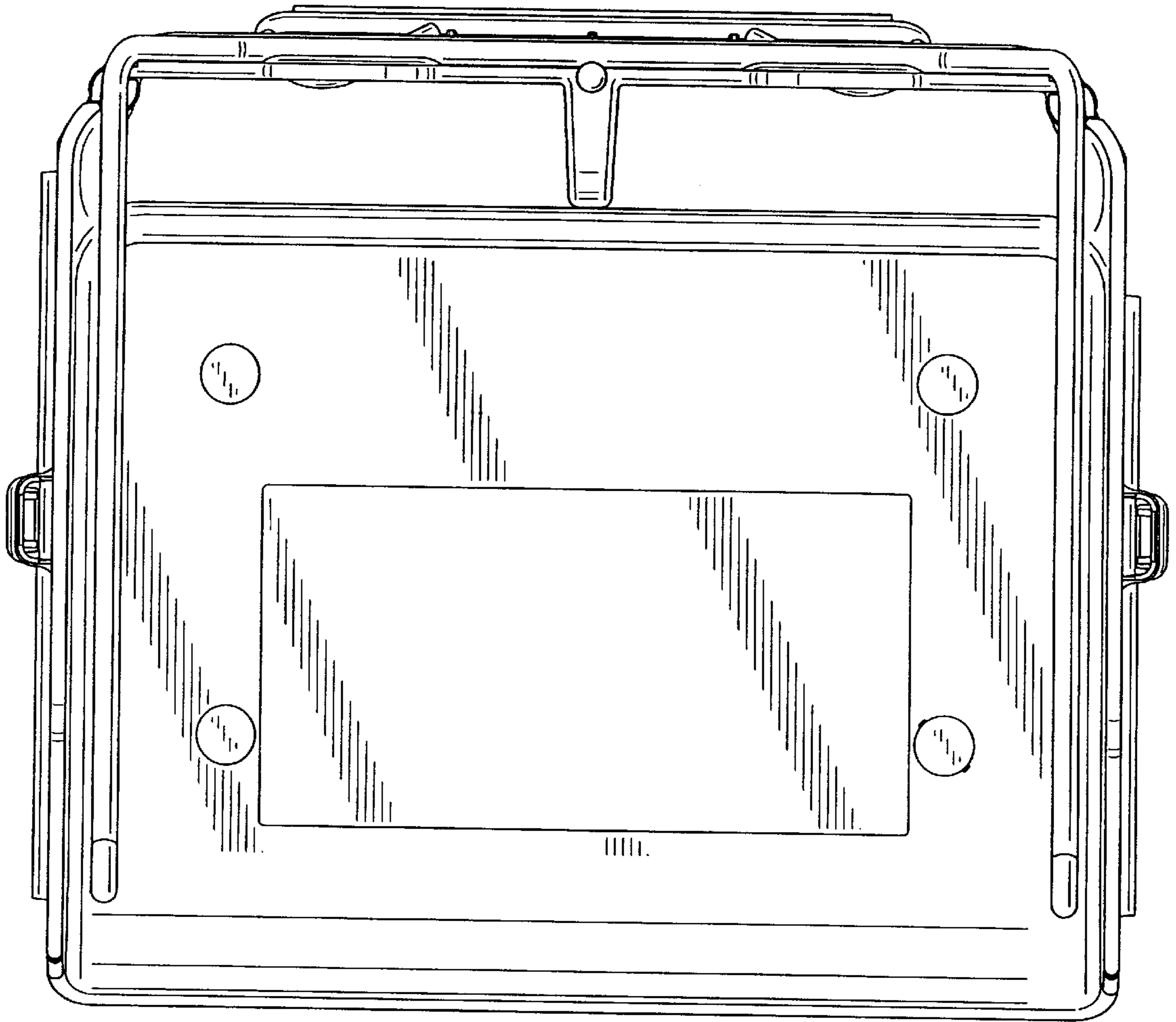


FIG. 7

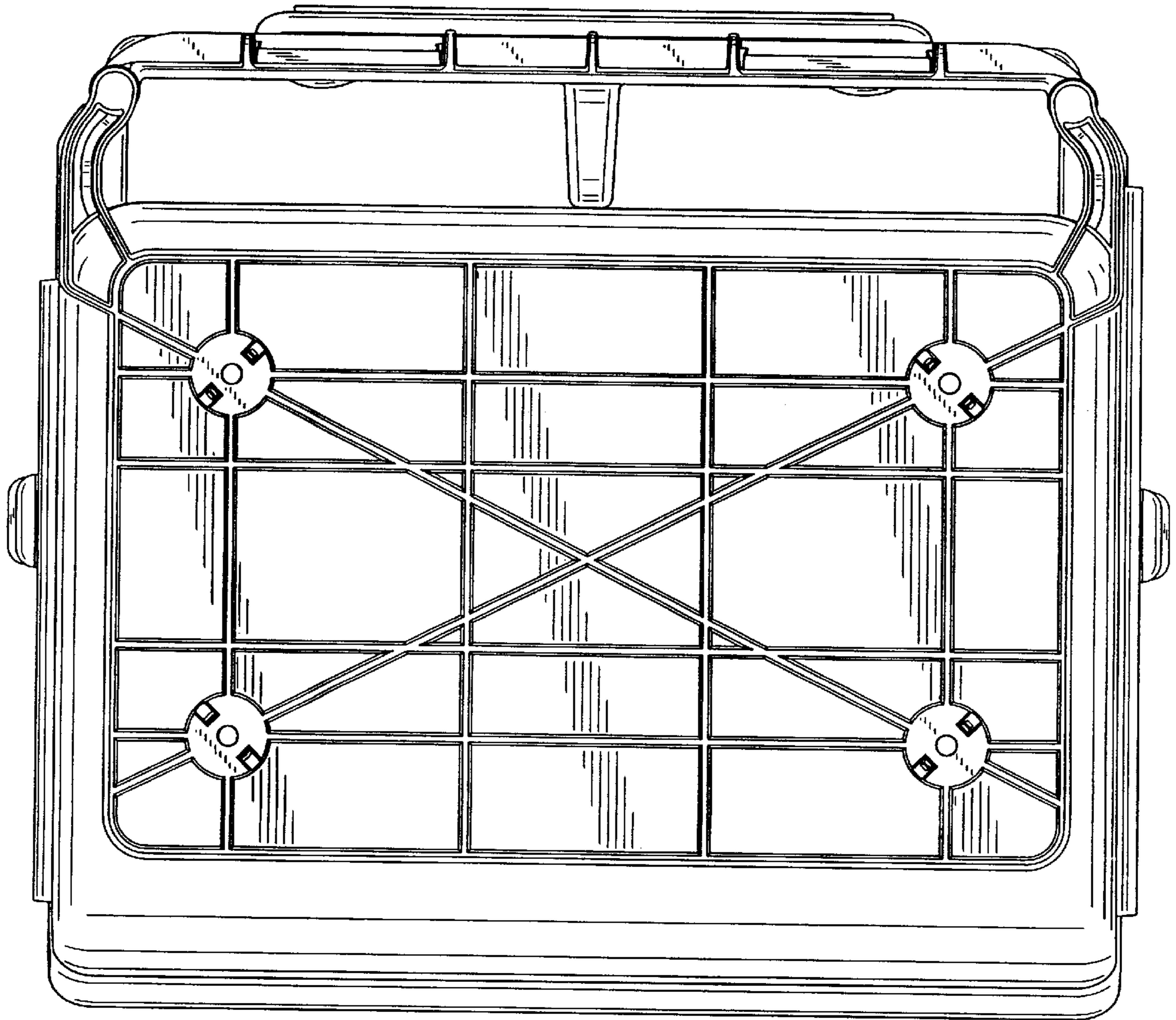


FIG. 8