



US00D423836S

United States Patent [19] Bergin

[11] **Patent Number: Des. 423,836**

[45] **Date of Patent: ** May 2, 2000**

[54] **PIVOTING ARMREST WITH CUPHOLDER**

5,474,272 12/1995 Thompson et al. 248/311.2
5,533,782 7/1996 Goldman 297/188.14
5,897,089 4/1999 Lancaster et al. 248/311.2

[75] Inventor: **Peter W. A. Bergin**, Eden Prairie, Minn.

[73] Assignee: **Media Technology Source, Inc.**, Minneapolis, Minn.

[**] Term: **14 Years**

Primary Examiner—Doris V. Coles
Assistant Examiner—Mimosa De
Attorney, Agent, or Firm—Westman, Champlin & Kelly, P.A.

[21] Appl. No.: **29/106,207**

[22] Filed: **Jun. 9, 1999**

[51] **LOC (7) Cl.** **06-06**

[52] **U.S. Cl.** **D6/501**

[58] **Field of Search** D6/334, 335, 336, D6/356, 360, 367, 421, 500, 501, 502, 510; D7/552.1, 552.2, 553.1, 553.2, 553.3, 553.4, 553.5; D12/400, 416, 149, 491, 425; 224/275; 296/37.8; 297/113, 117, 146, 188.14, 232; 248/311.2

[57] CLAIM

The ornamental design for a pivoting armrest with cupholder, as shown and described.

DESCRIPTION

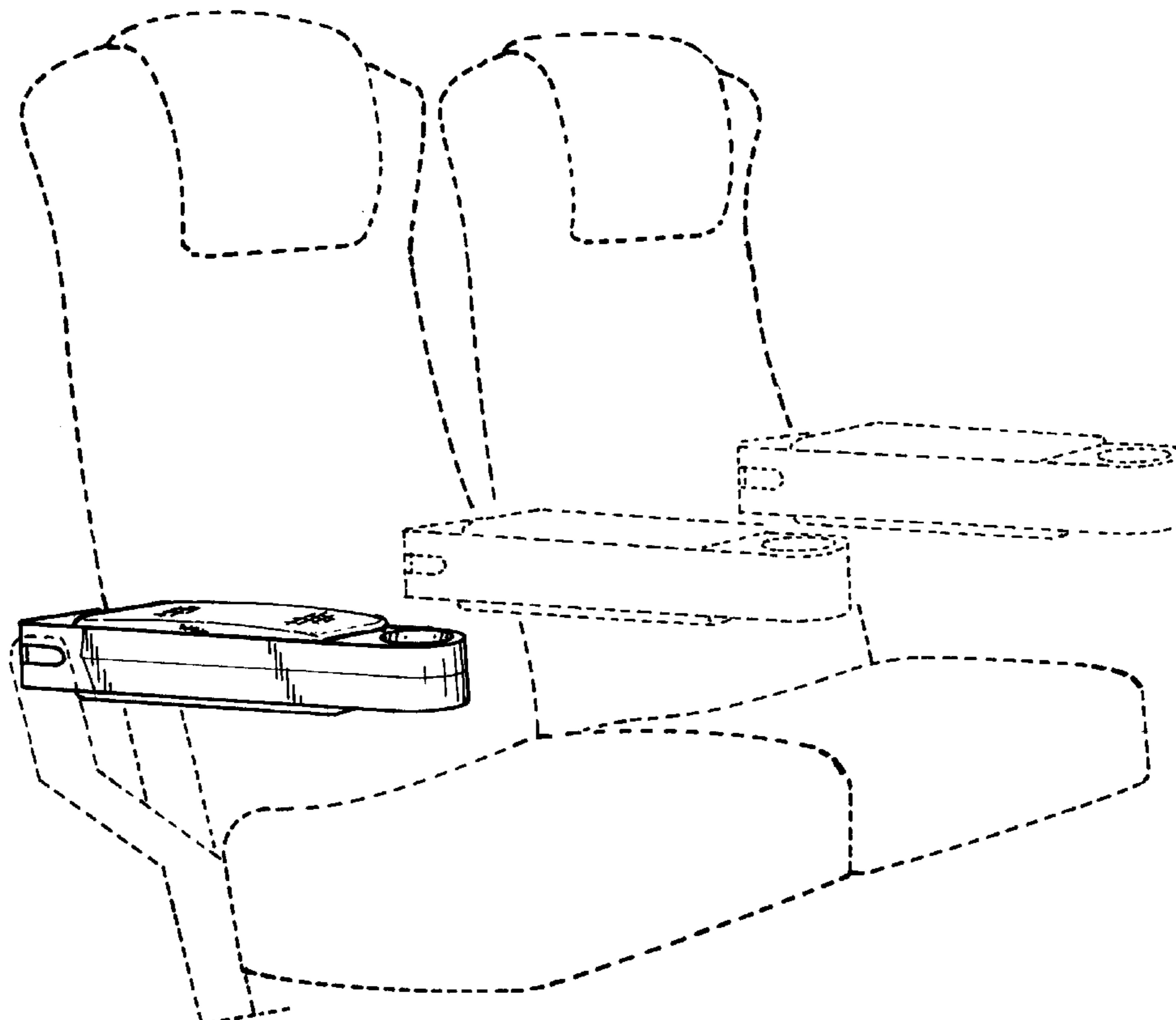
FIG. 1 is a perspective view of a pivoting armrest with cupholder embodying my new design shown with dotted line representations of seats on which it is installed; FIG. 2 is an enlarged top plan view thereof; FIG. 3 is an enlarged bottom plan view thereof; FIG. 4 is an enlarged front elevational view thereof; FIG. 5 is an enlarged rear elevational view thereof; FIG. 6 is an enlarged left side elevational view thereof; FIG. 7 is an enlarged right side view thereof; FIG. 8 is a top plan view of a pivoting armrest with cupholder showing a second embodiment of my new design; and, FIG. 9 is a bottom plan view of the armrest of FIG. 8; the end and side elevational views of the modified design being the same as FIGS. 4 through 7. The dotted line representation of FIG. 1 is for illustrative purposes only and forms no part of this design.

[56] References Cited

U.S. PATENT DOCUMENTS

D. 350,259	9/1994	Ayotte	D7/620
D. 353,289	12/1994	Ayotte et al.	D6/510
4,331,360	5/1982	Roudybush et al.	297/422
4,795,211	1/1989	Stern et al.	297/188.14
4,863,134	9/1989	Young et al.	248/311.2
5,232,262	8/1993	Tseng	224/275
5,234,251	8/1993	Ayotte	297/188.14
5,302,000	4/1994	Ayotte	297/188.14

1 Claim, 5 Drawing Sheets



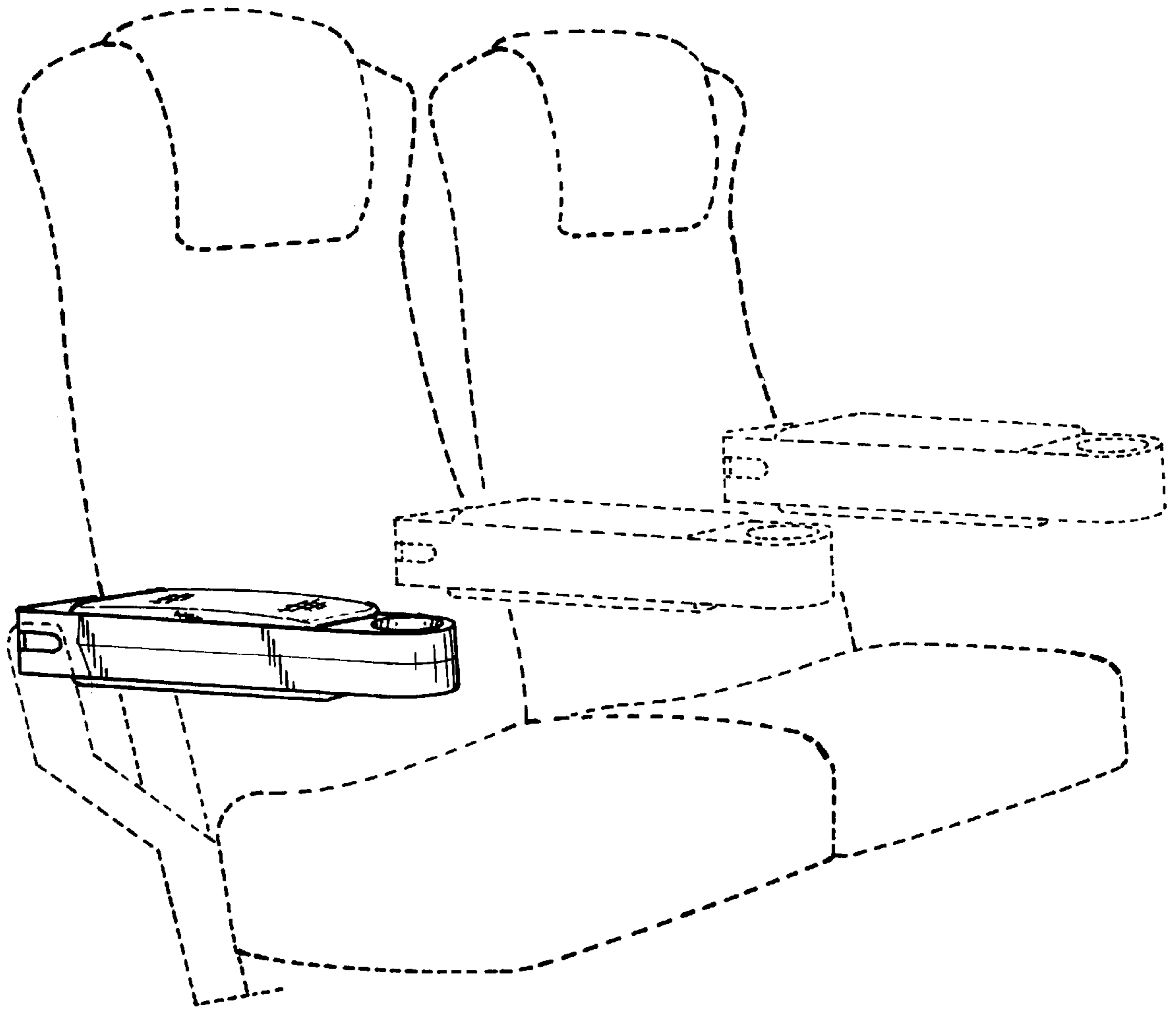


Fig. 1

Fig. 2

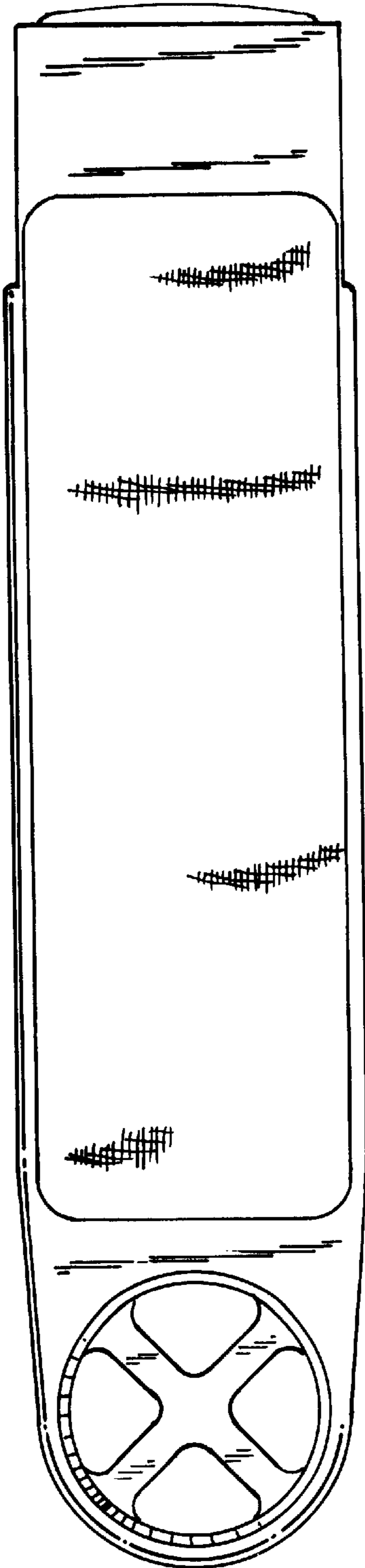
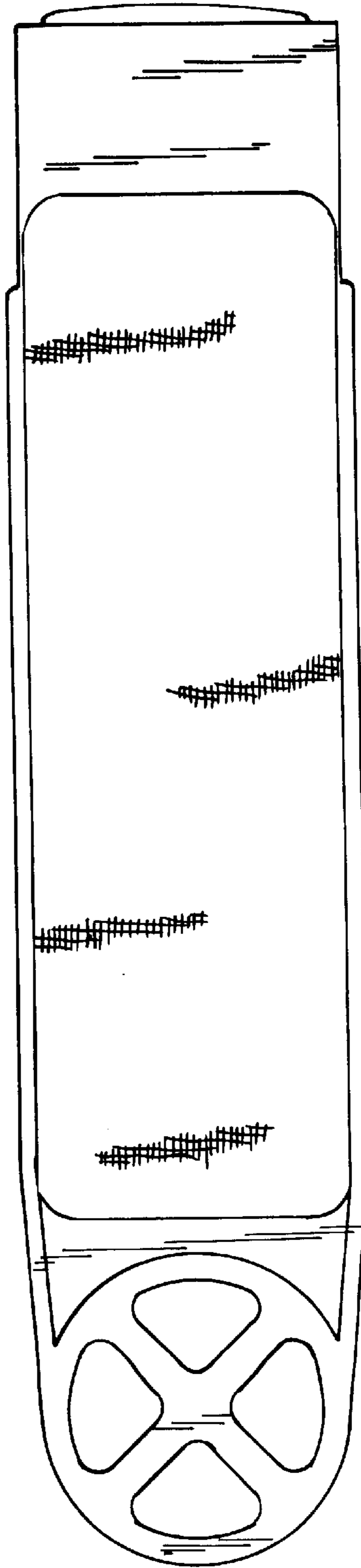


Fig. 3



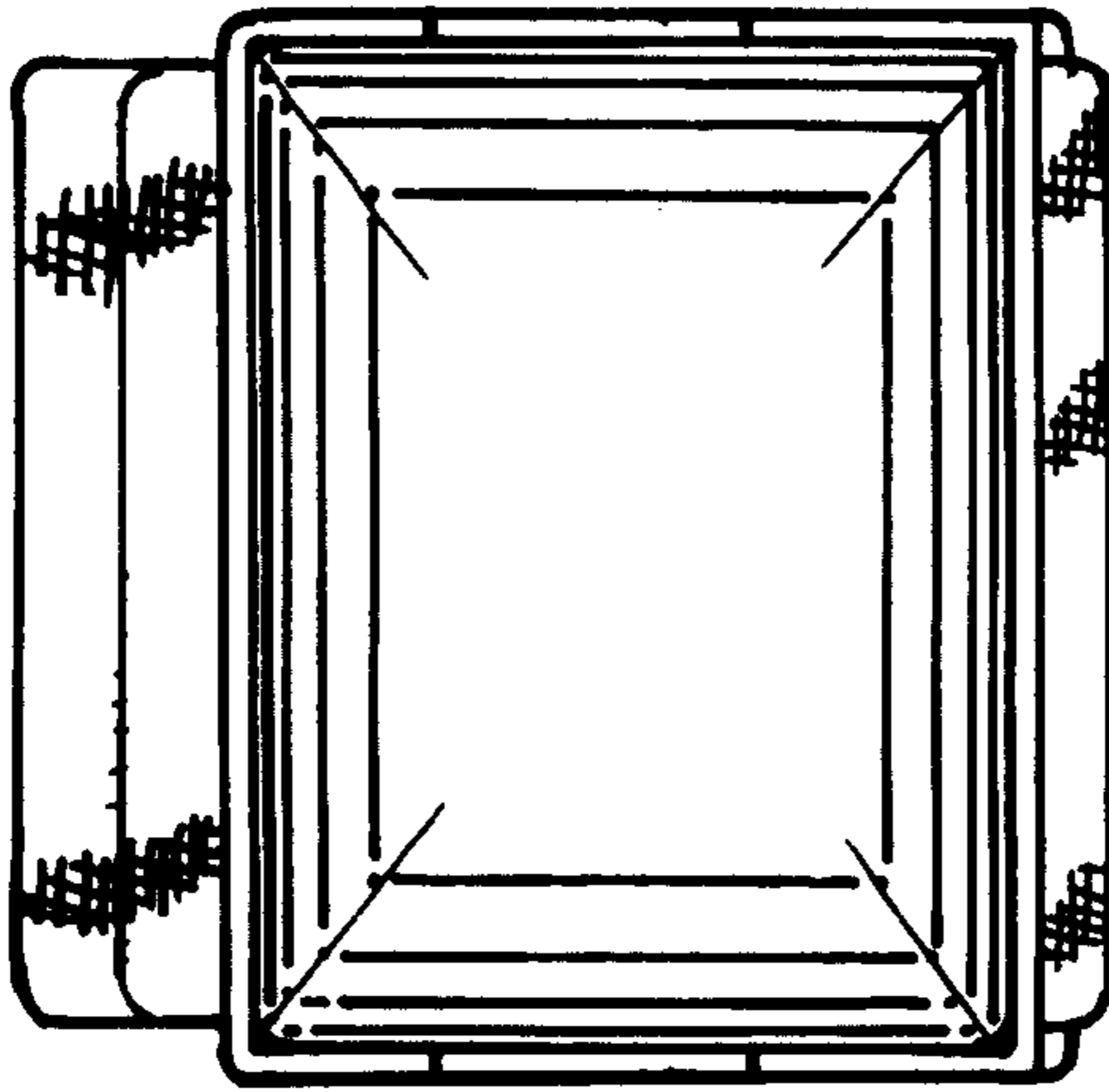


Fig. 5

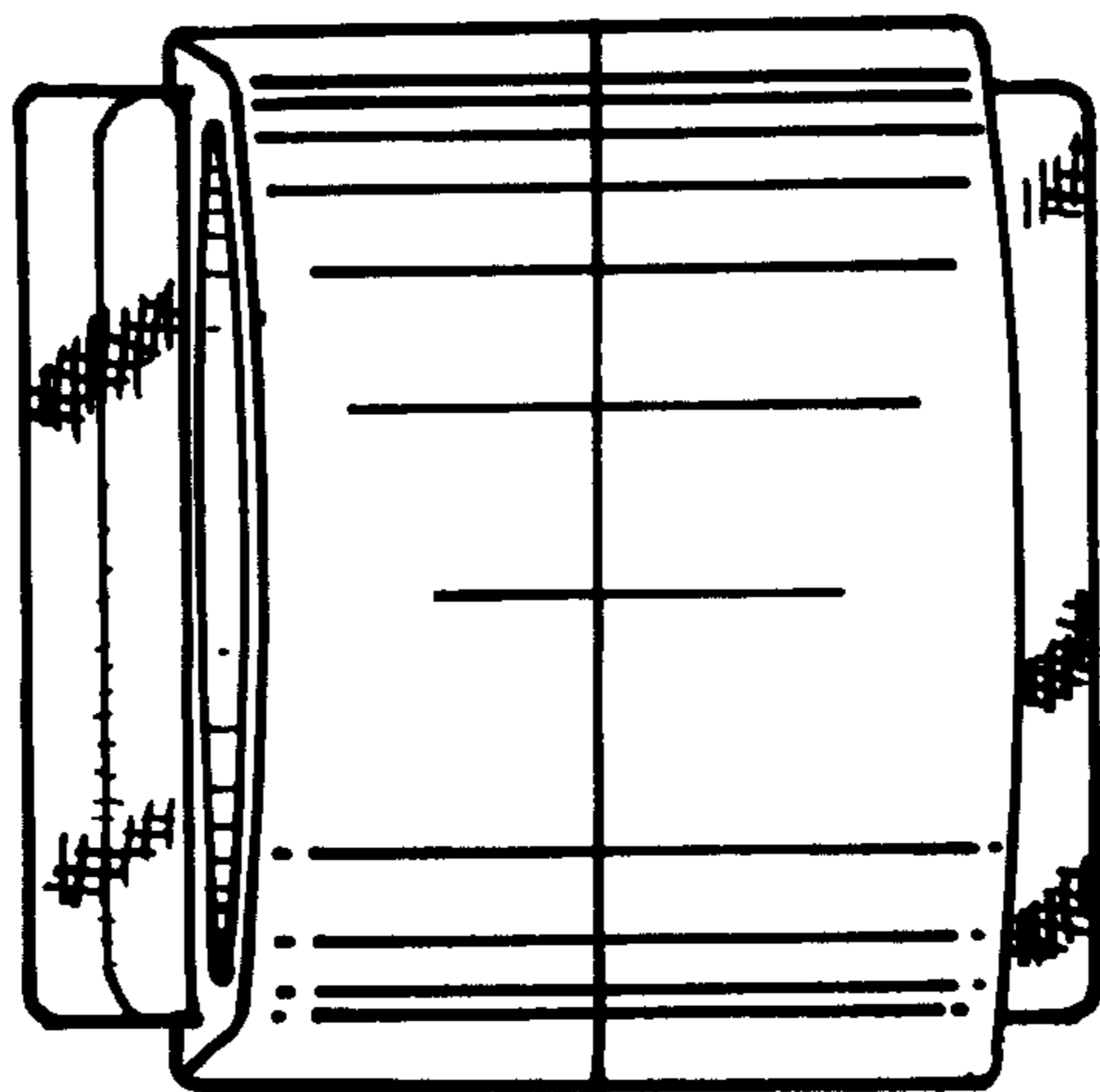


Fig. 4

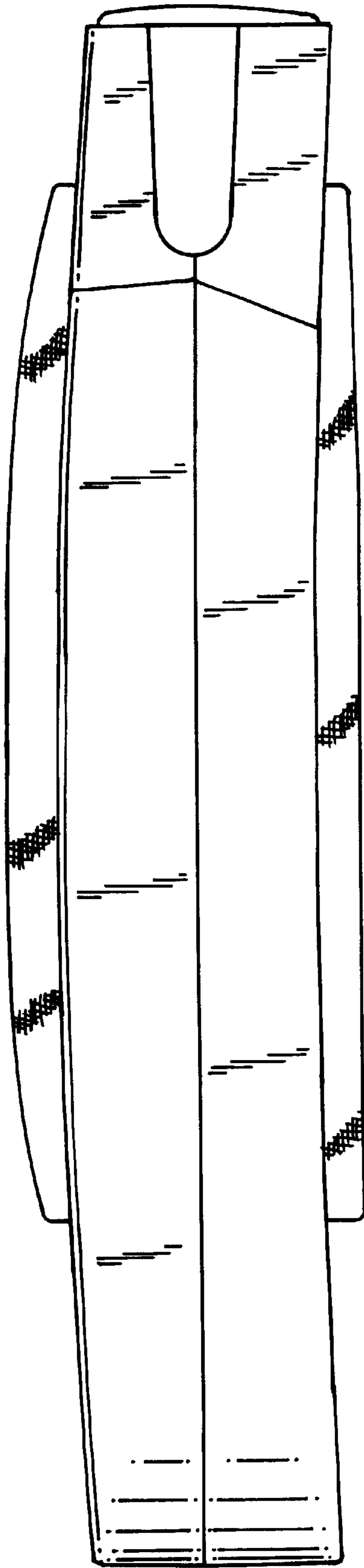


Fig. 6

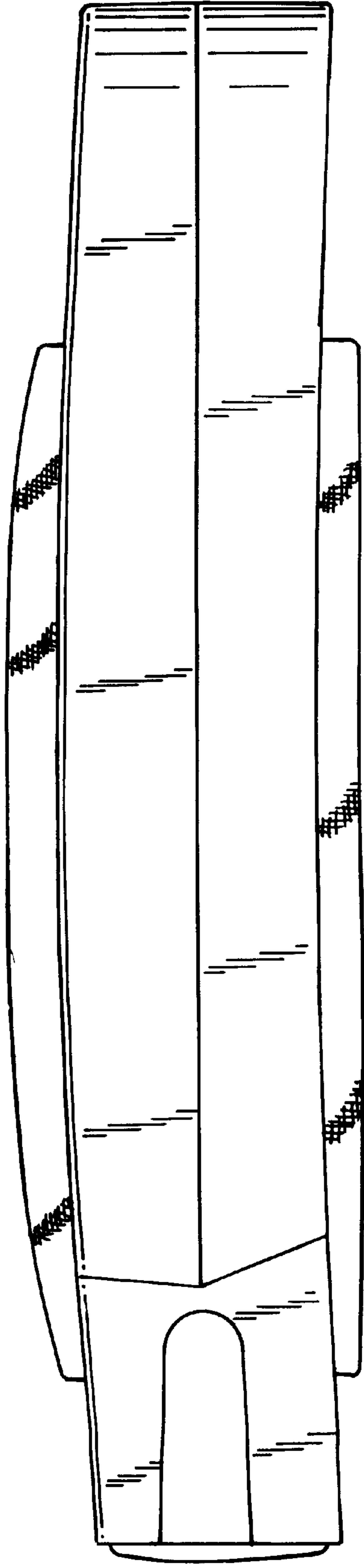


Fig. 7

Fig. 8

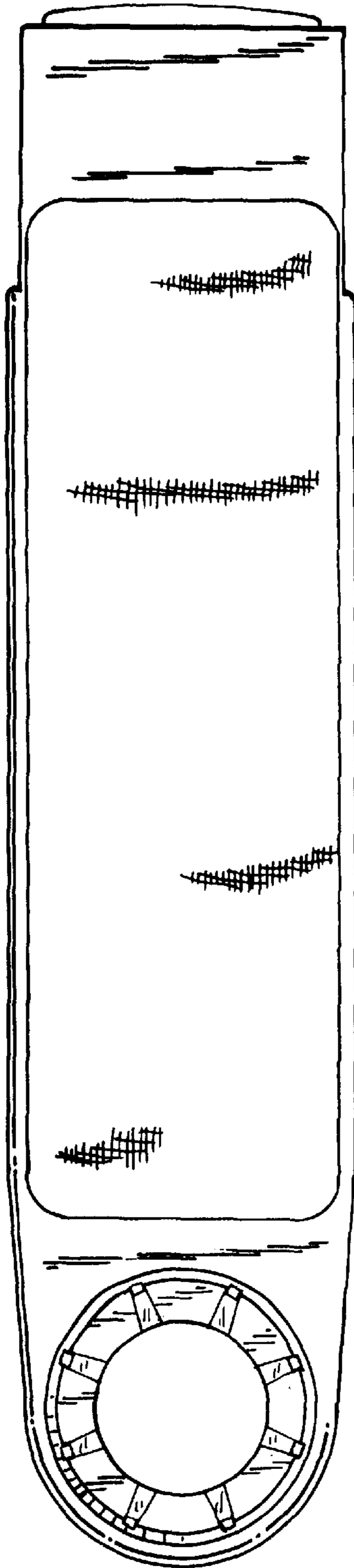


Fig. 9

