



US00D423834S

United States Patent [19]

[11] Patent Number: Des. 423,834

Lewis

[45] Date of Patent: ** May 2, 2000

[54] SET OF TAPESTRIED SURFACES FOR A CHAIR ENSEMBLE

[76] Inventor: Sally Sirkin Lewis, 715 Canon Dr., Beverly Hills, Calif. 90210

[**] Term: 14 Years

[21] Appl. No.: 29/111,979

[22] Filed: Oct. 8, 1999

[51] LOC (7) Cl. 06-12

[52] U.S. Cl. D6/500; D5/61; D5/99

[58] Field of Search D5/20, 35, 55, D5/60, 61, 62, 99; 428/187, 542.2, 542.6, 904.4; D6/334, 379, 380, 500, 501, 502, 611

- D. 129,870 10/1941 Maisch .
- D. 155,527 10/1949 Minger .
- D. 168,703 1/1953 Odzer D5/62
- D. 186,259 9/1959 Howell .
- D. 191,936 12/1961 McEwan .
- D. 283,973 5/1986 Hougaard D5/62
- D. 317,085 5/1991 Cerny .
- D. 342,629 12/1993 Tseng D6/370
- D. 364,743 12/1995 Lewis .
- D. 373,253 9/1996 Maple D6/370
- 5,067,771 11/1991 Ellis D6/500

Primary Examiner—Robert M. Spear
Attorney, Agent, or Firm—Finnegan, Henderson, Farabow, Garrett & Dunner, L.L.P.

[57] CLAIM

The ornamental design for set of tapestried surfaces for a chair ensemble, as shown and described.

DESCRIPTION

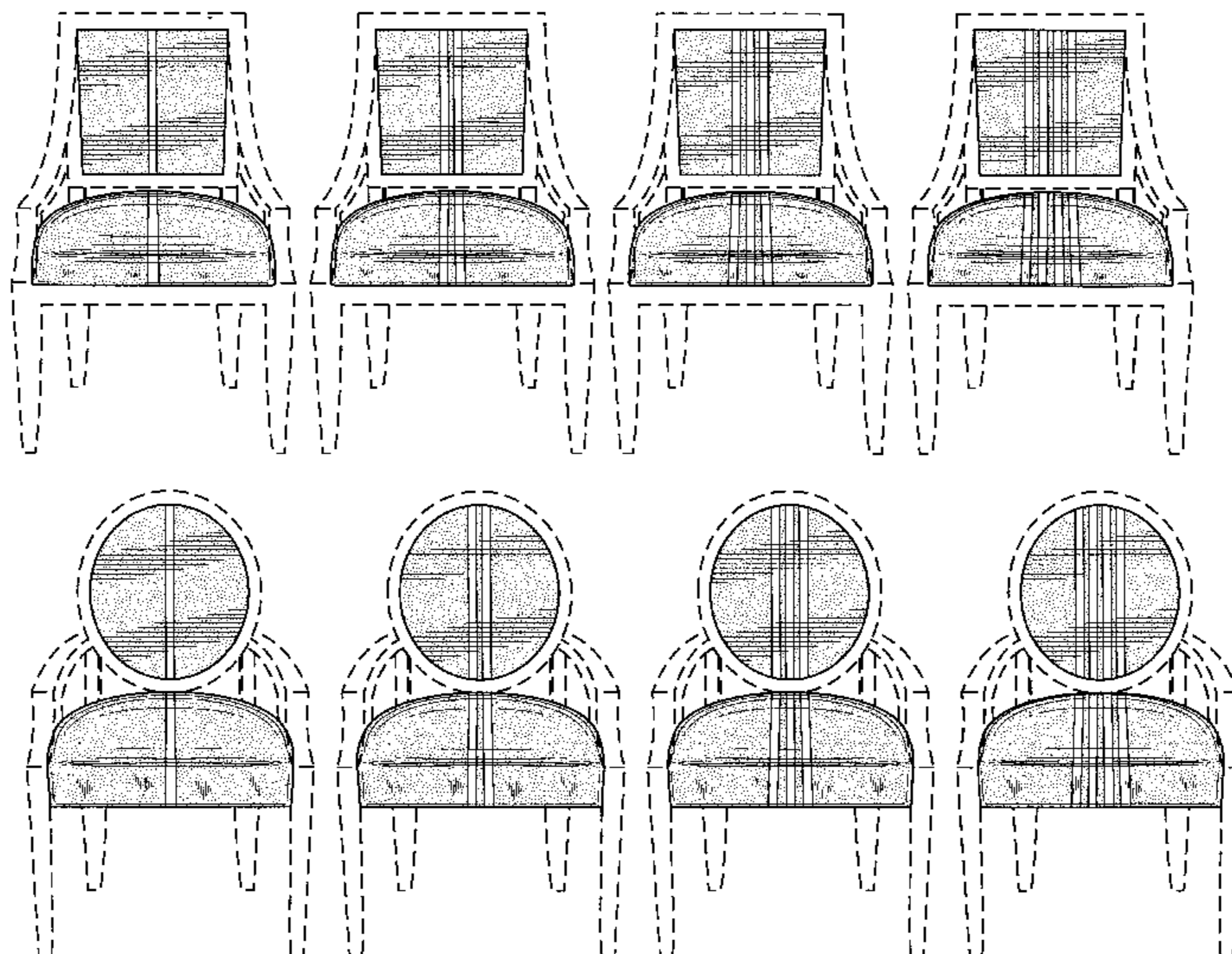
FIG. 1 is a front view of my set of tapestried surfaces for a chair ensemble design according to a first embodiment; FIG. 2 is a back view of the set of tapestried surfaces for a chair ensemble of FIG. 1; FIG. 3 is a top view of the set of tapestried surfaces for a chair ensemble of FIG. 1; FIG. 4 is a left side view of the set of tapestried surfaces for a chair ensemble of FIG. 1; FIG. 5 is a right side view of the set of tapestried surfaces for a chair ensemble of FIG. 1; FIG. 6 is a front view of my set of tapestried surfaces for a chair ensemble design according to a second embodiment; FIG. 7 is a back view of the set of tapestried surfaces for a chair ensemble of FIG. 6; FIG. 8 is a top view of the set of tapestried surfaces for a chair ensemble of FIG. 6; FIG. 9 is a left side view of the set of tapestried surfaces for a chair ensemble of FIG. 6; and, FIG. 10 is a right side view of the set of tapestried surfaces for a chair ensemble of FIG. 6. The broken line drawings of the chairs are for illustrative purposes only and form no part of the claimed design.

1 Claim, 8 Drawing Sheets

[56] References Cited

U.S. PATENT DOCUMENTS

- D. 50,887 6/1917 Godfrey .
- D. 51,109 8/1917 Hanson et al. .
- D. 51,320 10/1917 Nathan .
- D. 68,724 11/1925 Marwede D5/62
- D. 78,731 6/1929 Danzer .
- D. 88,196 11/1932 Willheim D5/62
- D. 88,528 12/1932 George .
- D. 88,693 12/1932 Villani D5/62
- D. 88,826 12/1932 Roberson D5/62
- D. 89,266 2/1933 Schweizer .
- D. 89,357 2/1933 Rubinger D5/62
- D. 91,880 4/1934 Herrel .
- D. 96,016 6/1935 Bruine D5/62
- D. 100,433 7/1936 Martin D5/62
- D. 101,988 11/1936 Heim .
- D. 103,093 2/1937 Chiat .
- D. 105,961 9/1937 Mallinson D5/62
- D. 109,423 4/1938 Salomon .
- D. 113,303 2/1939 Kornfeld .
- D. 119,495 3/1940 Grivin .
- D. 121,041 6/1940 Orian .
- D. 122,735 9/1940 Christen .
- D. 125,471 2/1941 Hand .
- D. 125,955 3/1941 Lebworth .
- D. 129,252 8/1941 Zavell .



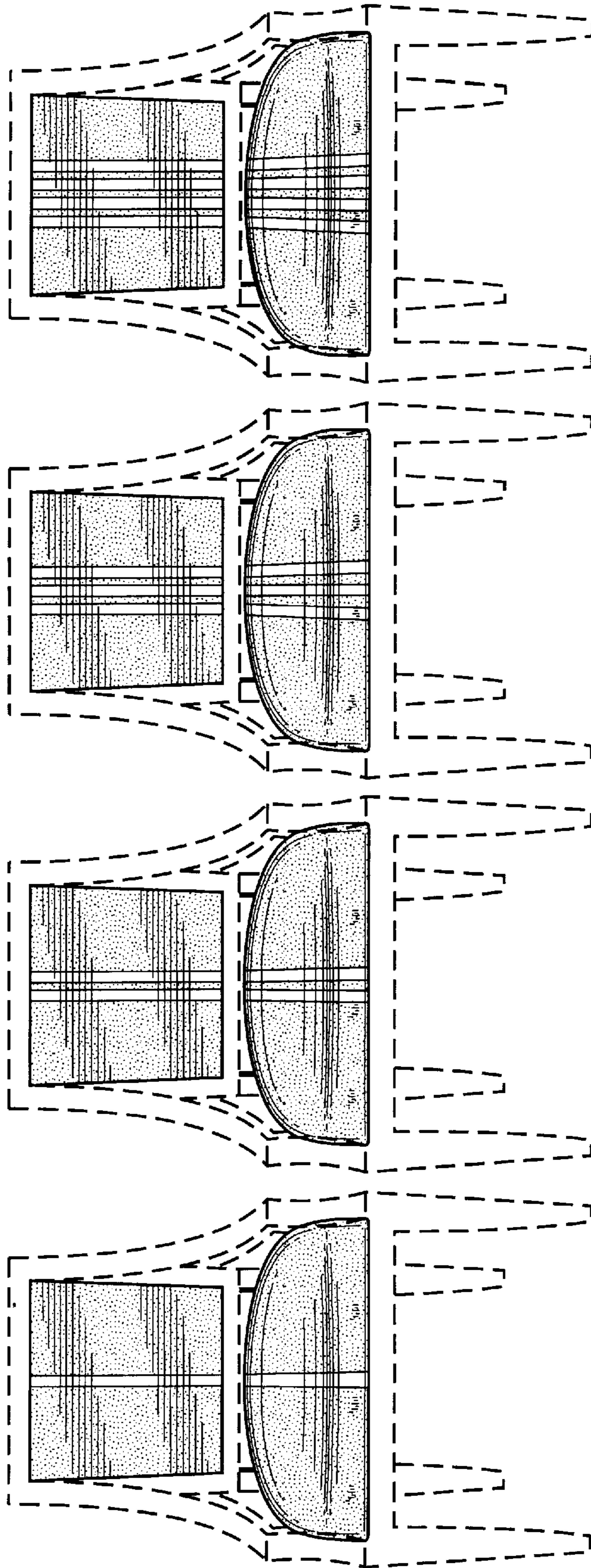


FIG. 1

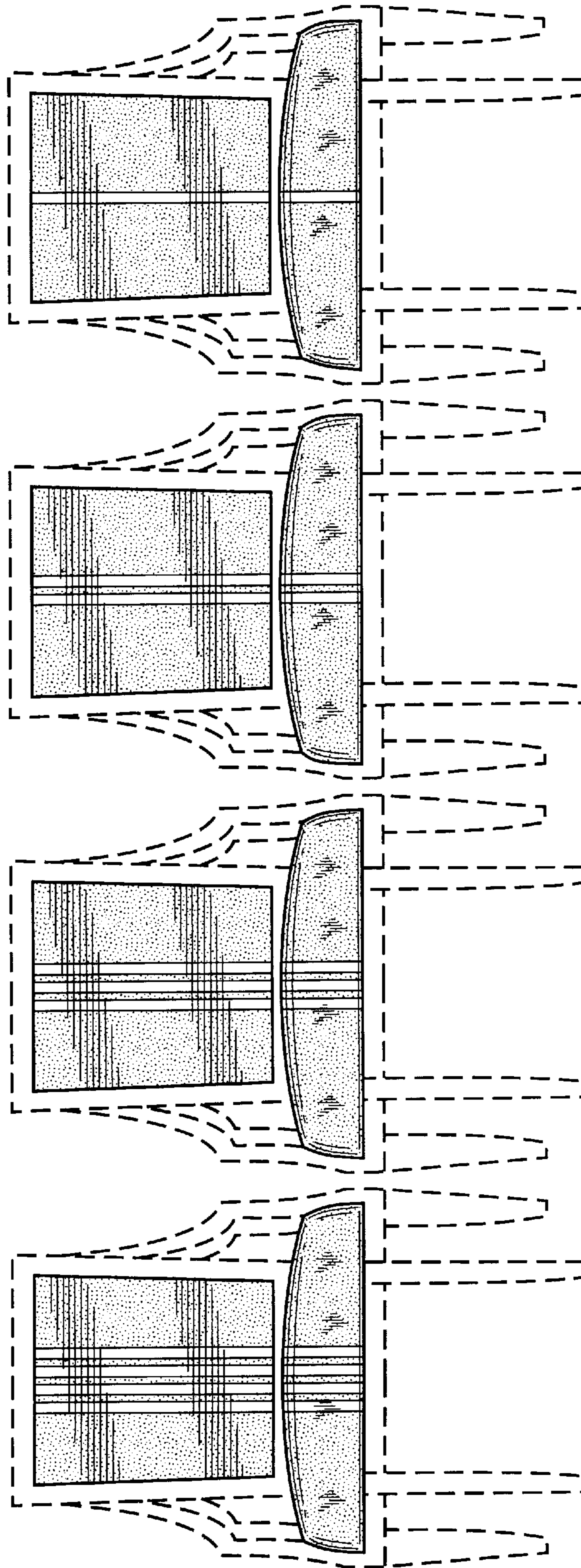


FIG. 2

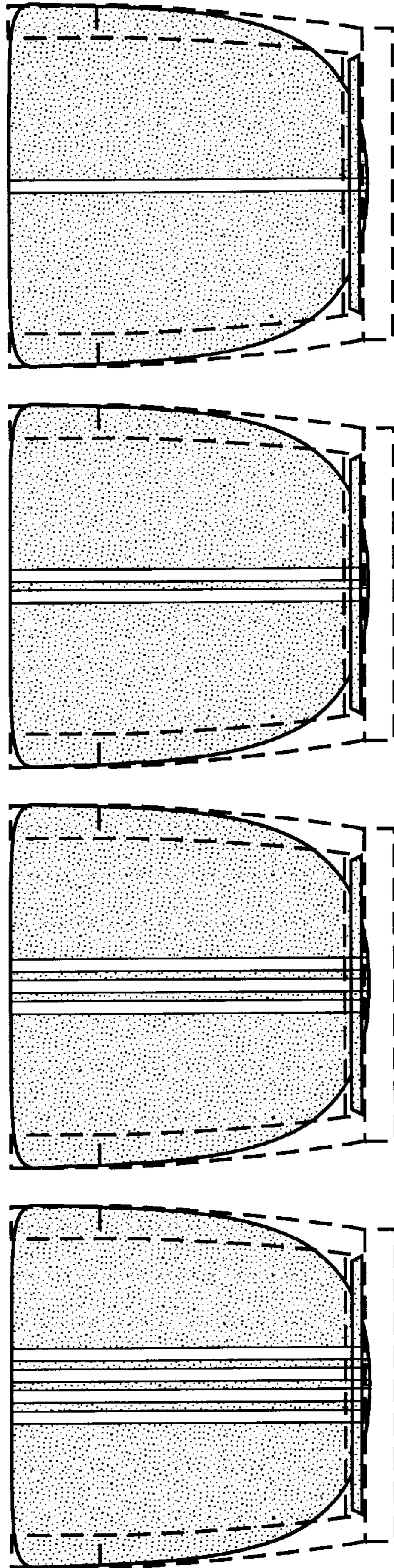


FIG. 3

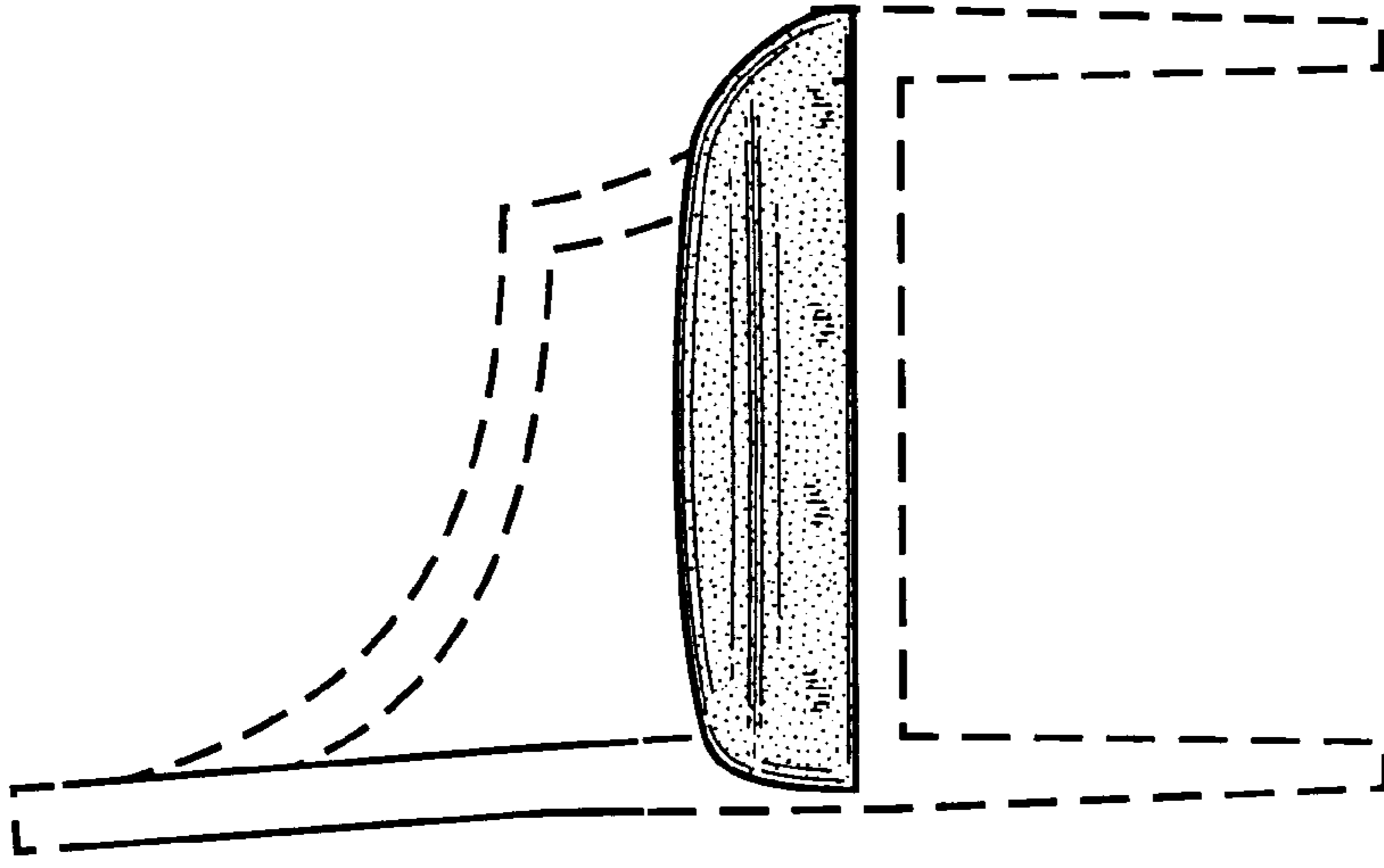


FIG. 4

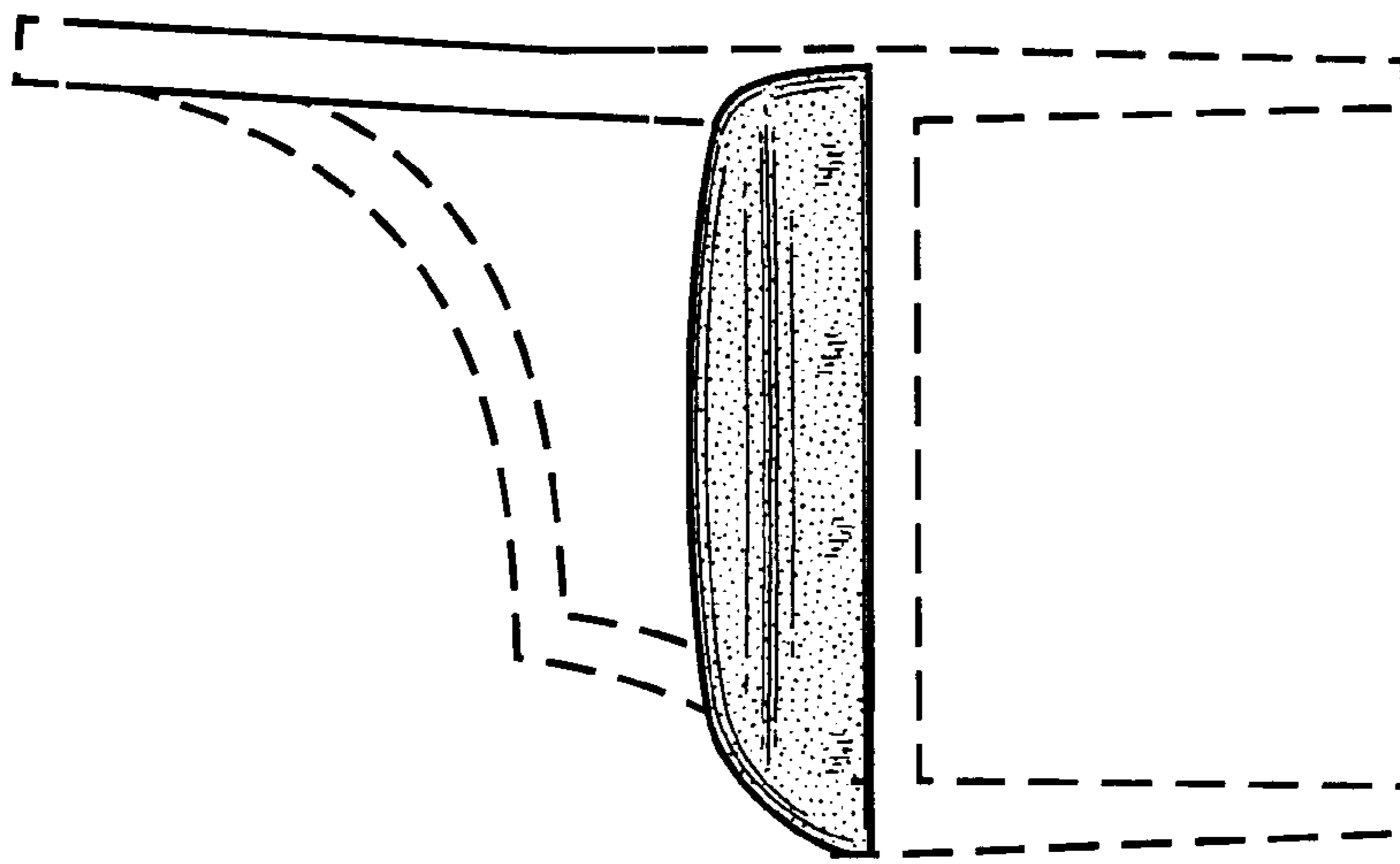


FIG. 5

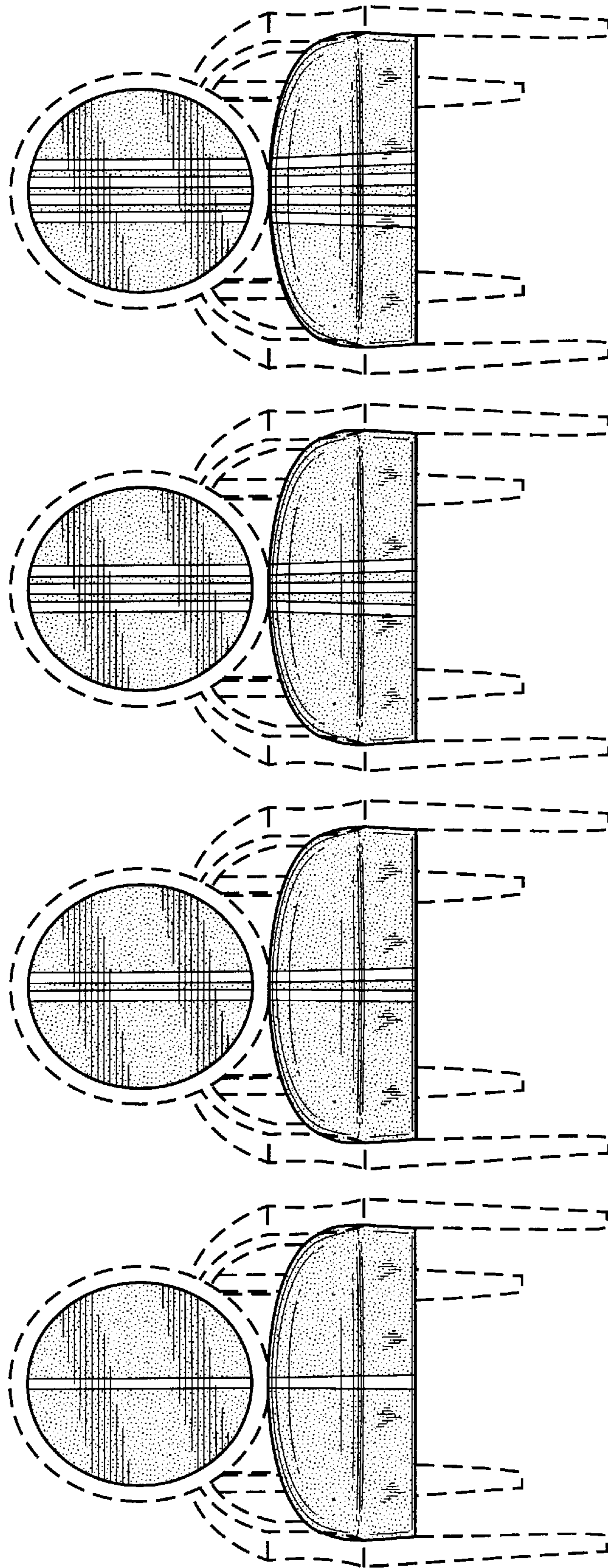


FIG. 6

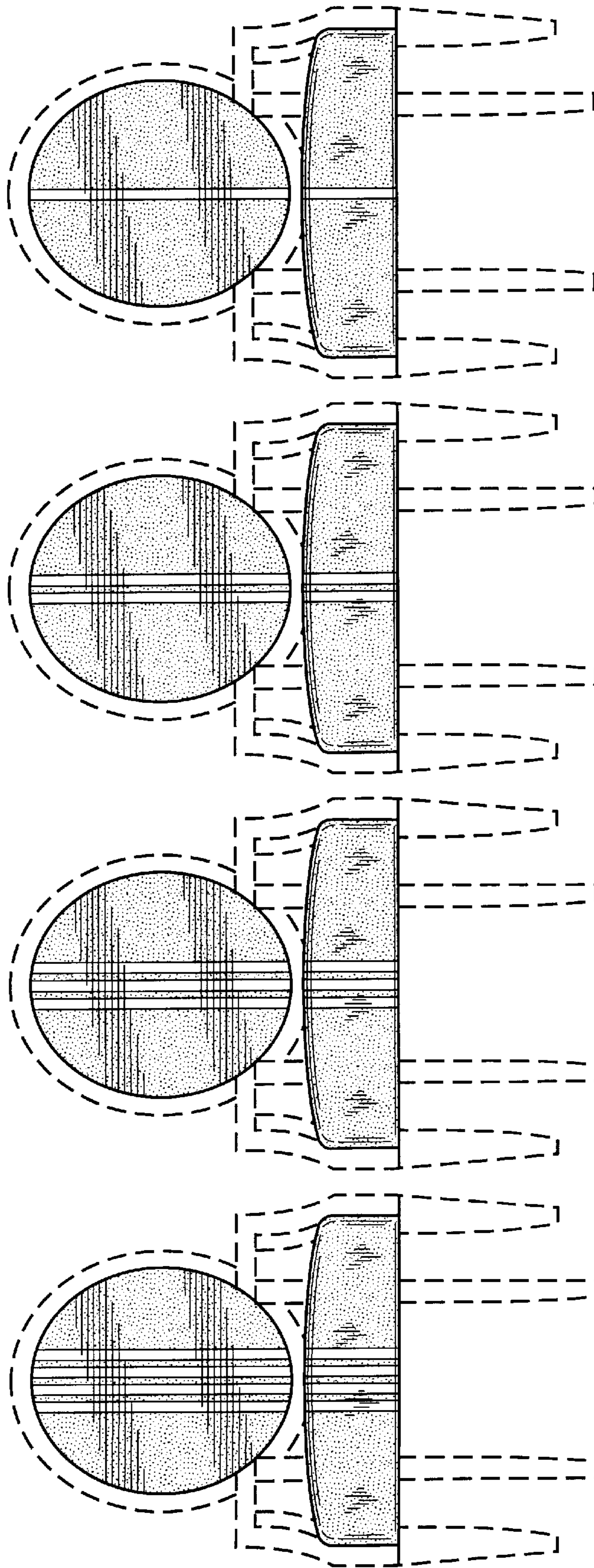


FIG. 7

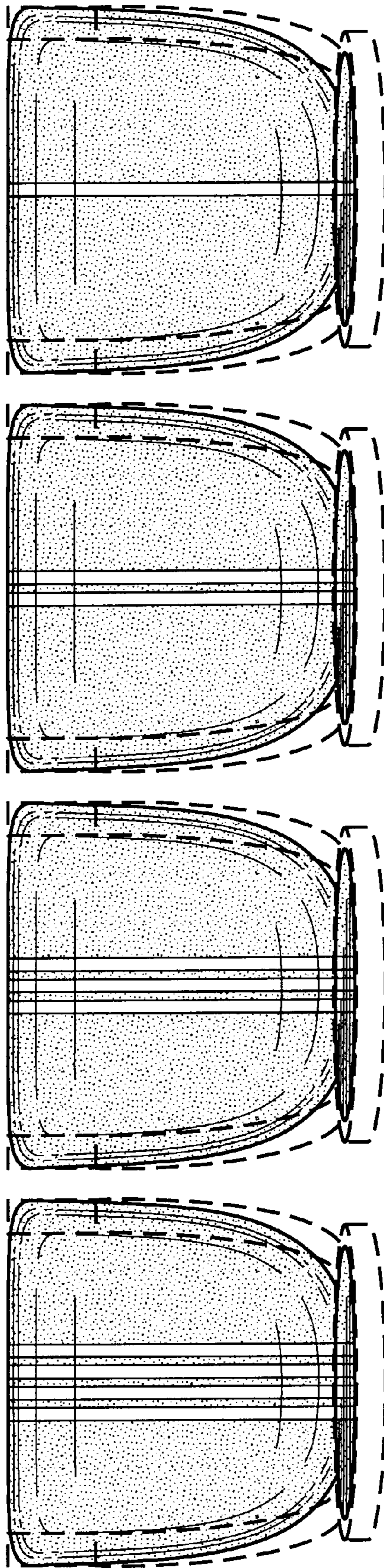


FIG. 8

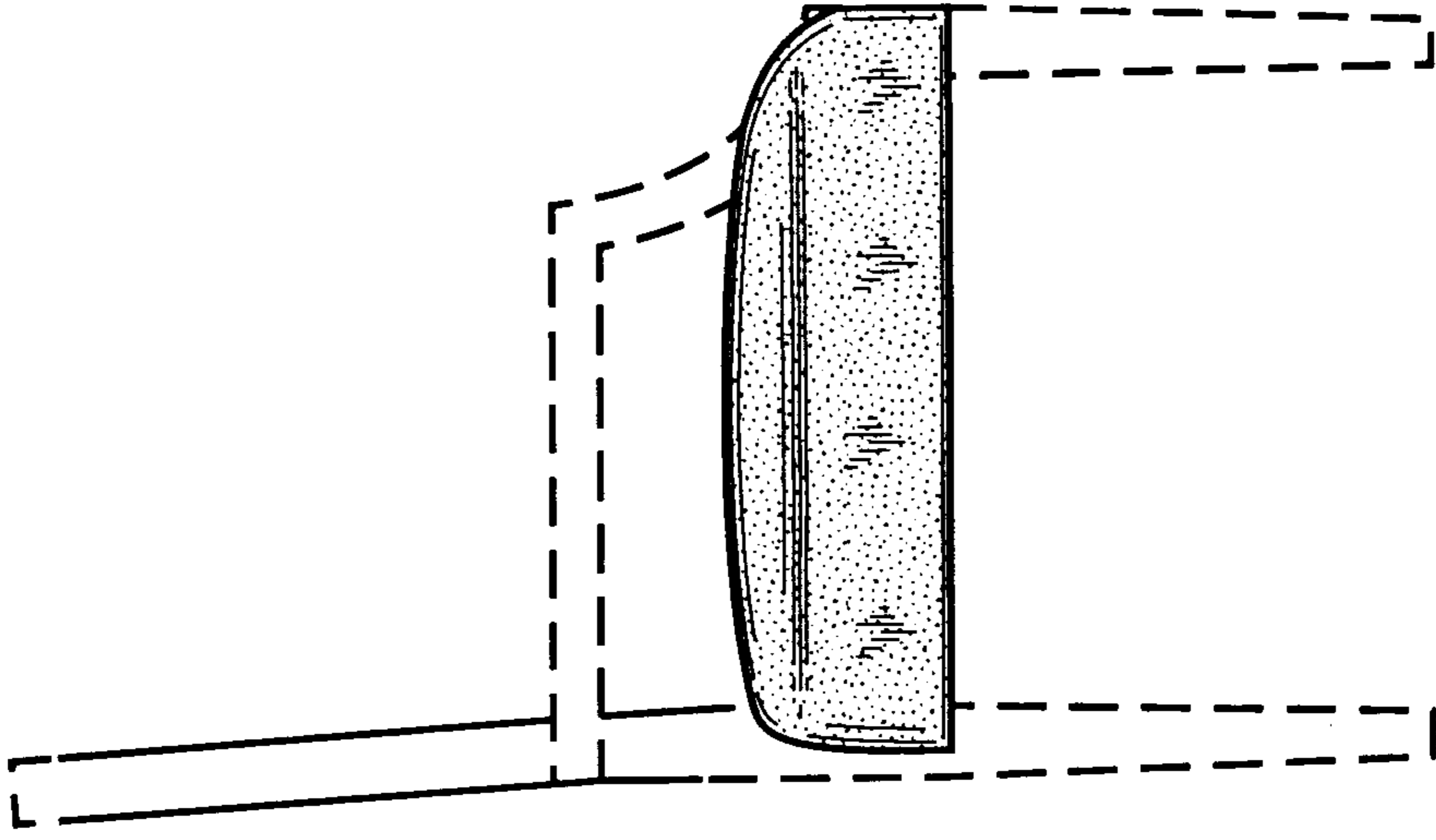


FIG. 9

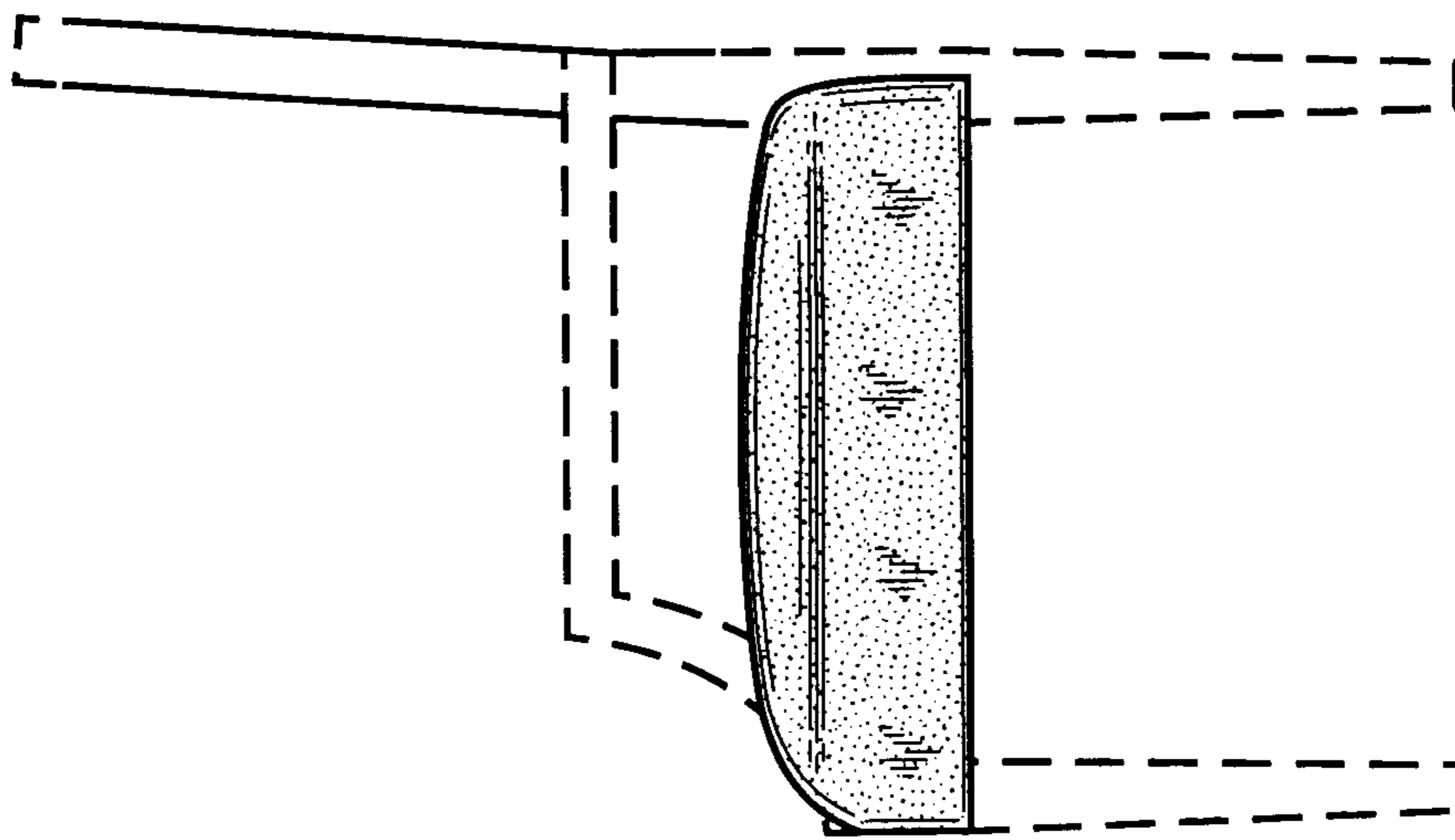


FIG. 10