



US00D423832S

# United States Patent [19]

[11] Patent Number: Des. 423,832

Kane et al.

[45] Date of Patent: \*\* May 2, 2000

[54] FIXED TABLE LEG DESIGN

[75] Inventors: **Brian Kane; Brian Graham; Mark Kapka**, all of San Francisco, Calif.

[73] Assignee: **Falcon Products, Inc.**

[\*\*] Term: **14 Years**

[21] Appl. No.: **29/106,043**

[22] Filed: **Jun. 7, 1999**

[51] LOC (7) Cl. .... **06-06**

[52] U.S. Cl. .... **D6/499; D6/429; D6/495**

[58] Field of Search ..... D6/480-489, 495-499, D6/429; 248/423, 407, 188, 188.1, 188.8; 108/153.1, 156, 157.1, 158.11, 161, 147.19, 145, 146

### [56] References Cited

#### U.S. PATENT DOCUMENTS

Re. 30,020	6/1979	Spencer et al. .	
155,999	10/1874	Valley .	
D. 170,006	7/1953	Chapman et al. ....	D6/480
D. 197,285	1/1964	Williams .....	D6/496
D. 262,849	2/1982	Schoenig .....	D6/429
D. 324,615	3/1992	Diffrient .	
D. 336,394	6/1993	Ball .	
D. 394,766	6/1998	Brandt .....	D6/480
D. 403,898	1/1999	Arnegger .....	D6/480
489,369	1/1893	Case .	
628,712	7/1899	Hoshour .	
1,044,879	11/1912	Fye .	
1,571,807	2/1926	Schmitt .	
1,585,598	5/1926	Miner .	
1,593,975	7/1926	Karstens .	
1,842,954	1/1932	Anderson .	
1,939,459	12/1933	Murray .	
1,939,904	12/1933	Koopman .	
1,956,946	5/1934	Duffy .	
1,959,725	5/1934	Lindsay .	
2,294,575	9/1942	Schneider .	
2,695,827	11/1954	De Saussure, Jr. .	
2,836,475	5/1958	Sapp .	
3,034,153	5/1962	Sargent .	
3,117,535	1/1964	Hendrickson .	
3,124,085	3/1964	Sanchez .	

3,349,728	10/1967	Barecki et al. .
3,628,471	12/1971	Burr .
3,805,710	4/1974	Leshem .
3,818,844	6/1974	Burr .
4,064,815	12/1977	Baum .
4,099,469	7/1978	Sahli .
4,163,592	8/1979	Nelson .
4,168,870	9/1979	Hill .
4,444,124	4/1984	Burr .
4,550,666	11/1985	Svoboda .
4,561,622	12/1985	Heinzel .

(List continued on next page.)

#### FOREIGN PATENT DOCUMENTS

38259	of 1909	Australia .
2561725	3/1984	France .
2618652	7/1987	France .
2630312	4/1988	France .
2639408	11/1988	France .
2624176	12/1998	France .
1076920	4/1953	Germany .
2049025	12/1980	United Kingdom .

Primary Examiner—Janice E. Seeger  
Attorney, Agent, or Firm—Polster, Lieder, Woodruff & Lucchesi, L.C.

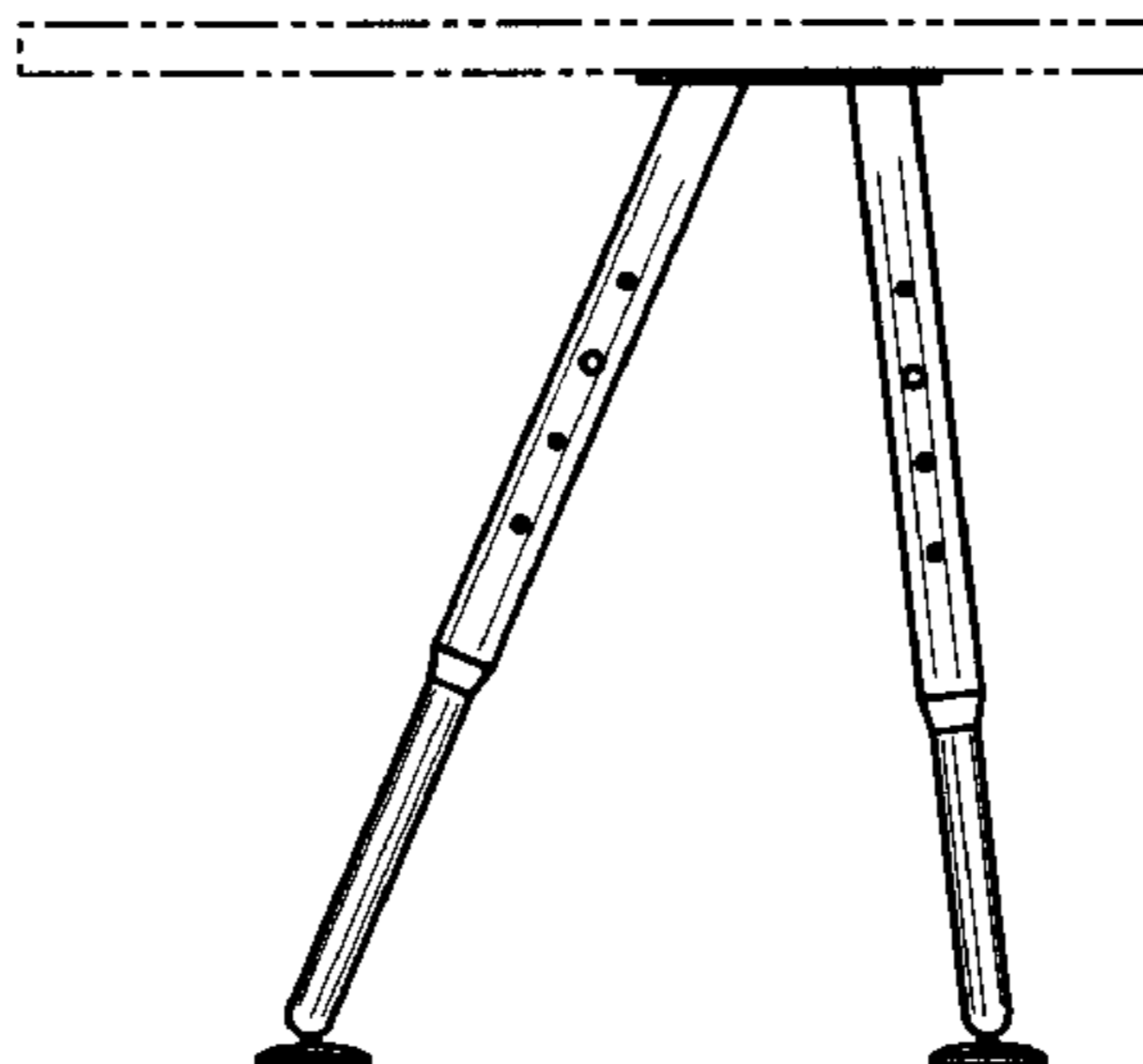
### [57] CLAIM

The ornamental design for a fixed table leg design, as shown and described.

#### DESCRIPTION

FIG. 1 is a view in side elevation of a table leg showing my new design;  
FIG. 2 is a view in side elevation, opposite to that shown in FIG. 1;  
FIG. 3 is a view in end elevation of the table leg shown in FIG. 1;  
FIG. 4 is a view in end elevation opposition of that shown in FIG. 3;  
FIG. 5 is a top plan view of my design; and,  
FIG. 6 is a bottom plan view thereof.  
The broken lines are for environmental purposes only and form no part of the claimed design.

1 Claim, 1 Drawing Sheet



U.S. PATENT DOCUMENTS

4,646,654	3/1987	Sullivan .	4,827,851	5/1989	Diffrient .
4,653,804	3/1987	Yoo et al. .	4,838,181	6/1989	Luyk .
4,662,286	5/1987	Barabas et al. .	4,879,955	11/1989	Moll et al. .
4,690,468	9/1987	Lau .	4,884,513	12/1989	Newhouse et al. .
4,734,826	3/1988	Wilson et al. .	5,094,174	3/1992	Grund et al. .
4,748,913	6/1988	Favaretto et al. .	5,109,778	5/1992	Berkowitz et al. .
4,750,432	6/1988	McNamara et al. .	5,144,888	9/1992	Heine et al. .
4,827,850	5/1989	Diffrient .	5,205,223	4/1993	Ball et al. .
			5,279,233	1/1994	Cox .
			5,337,657	8/1994	Diffrient .

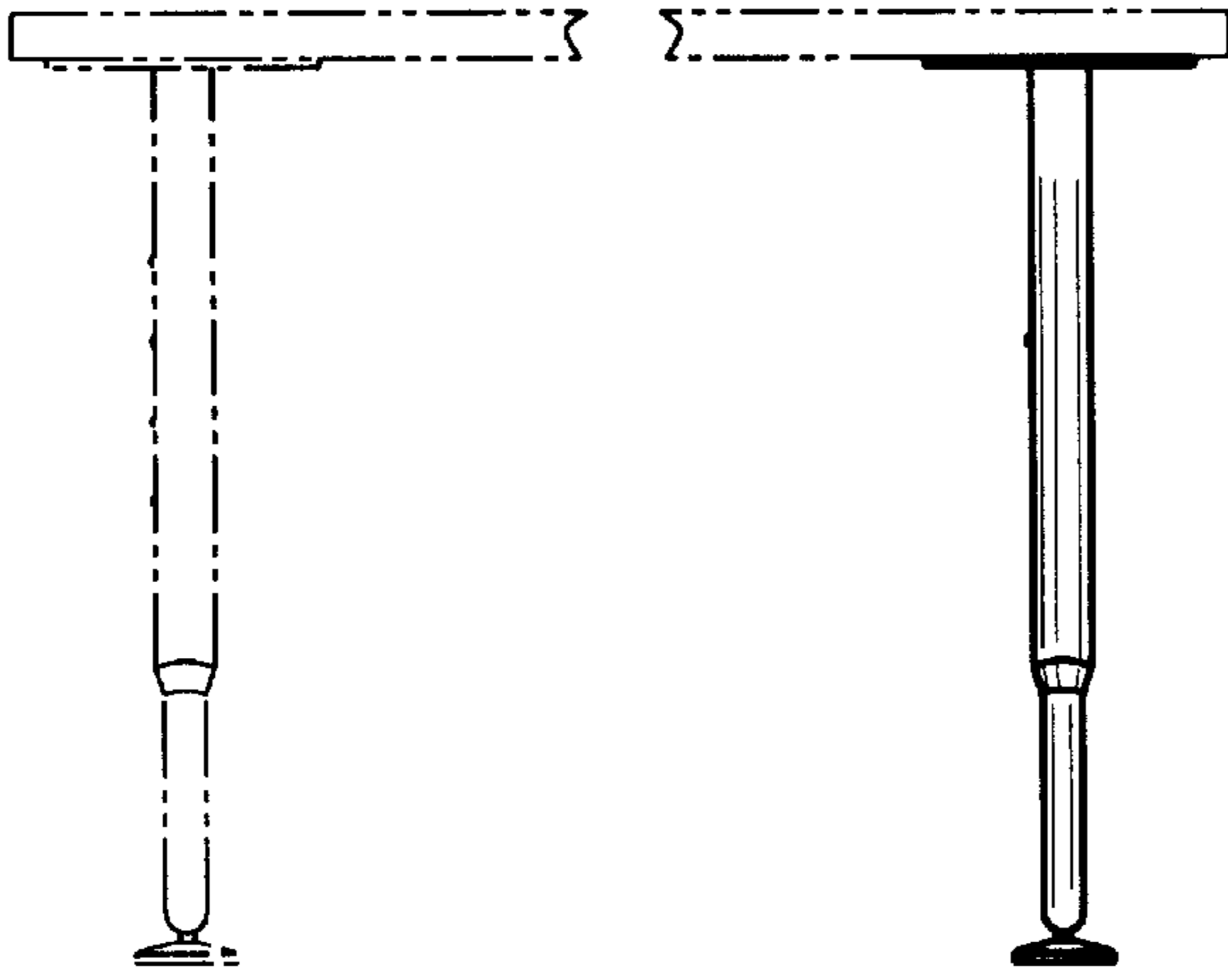


FIG. 1

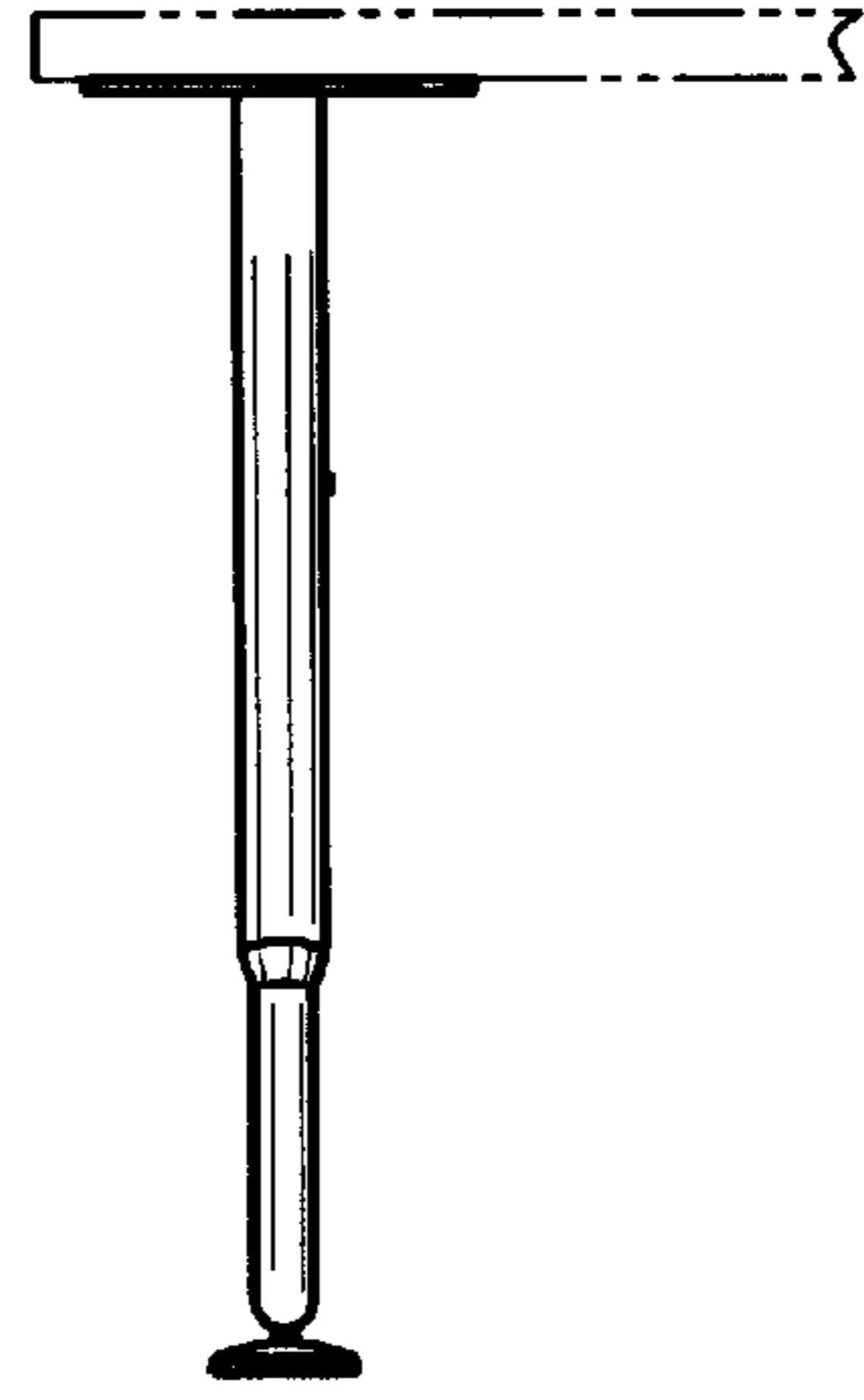


FIG. 2

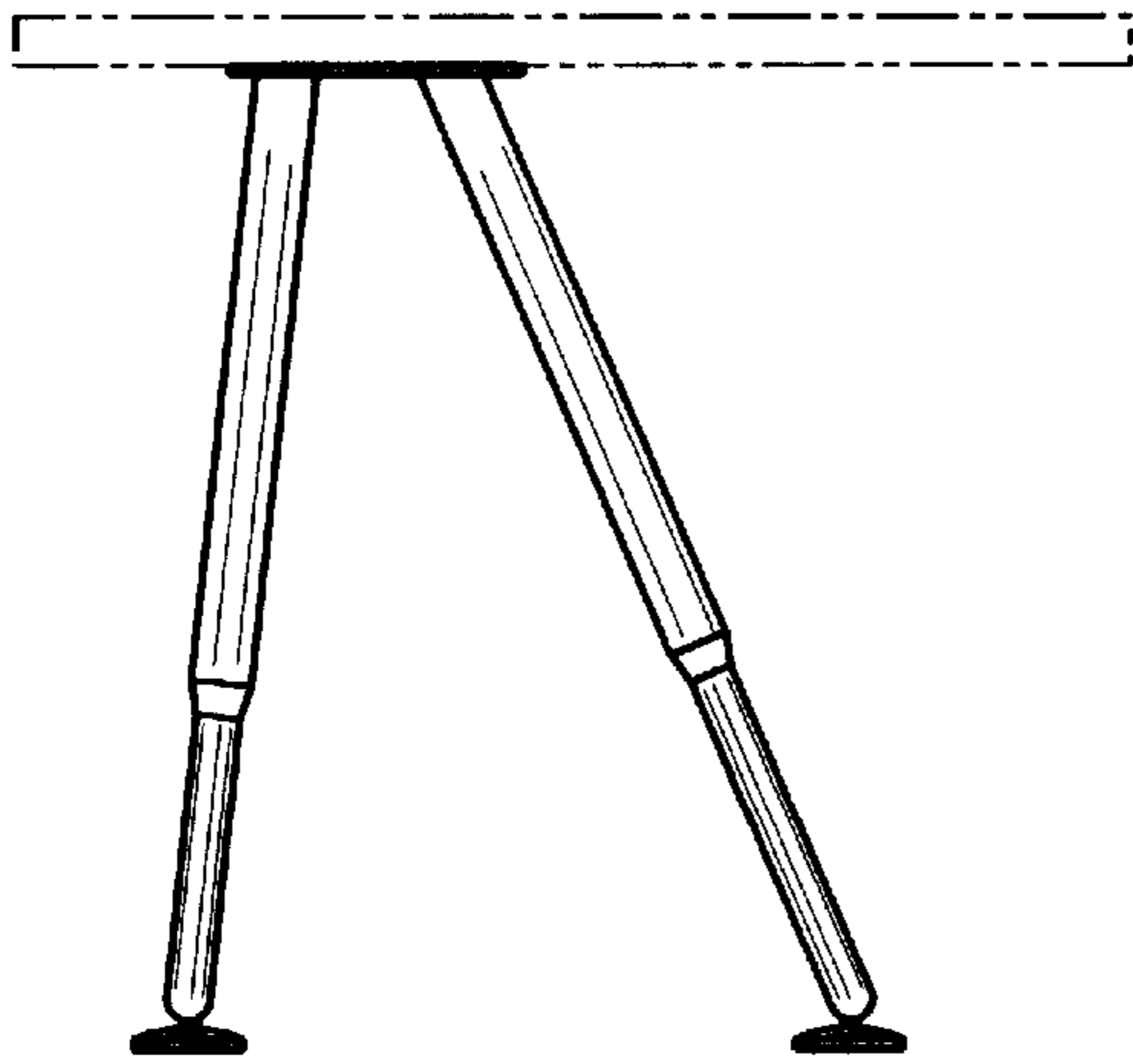


FIG. 3

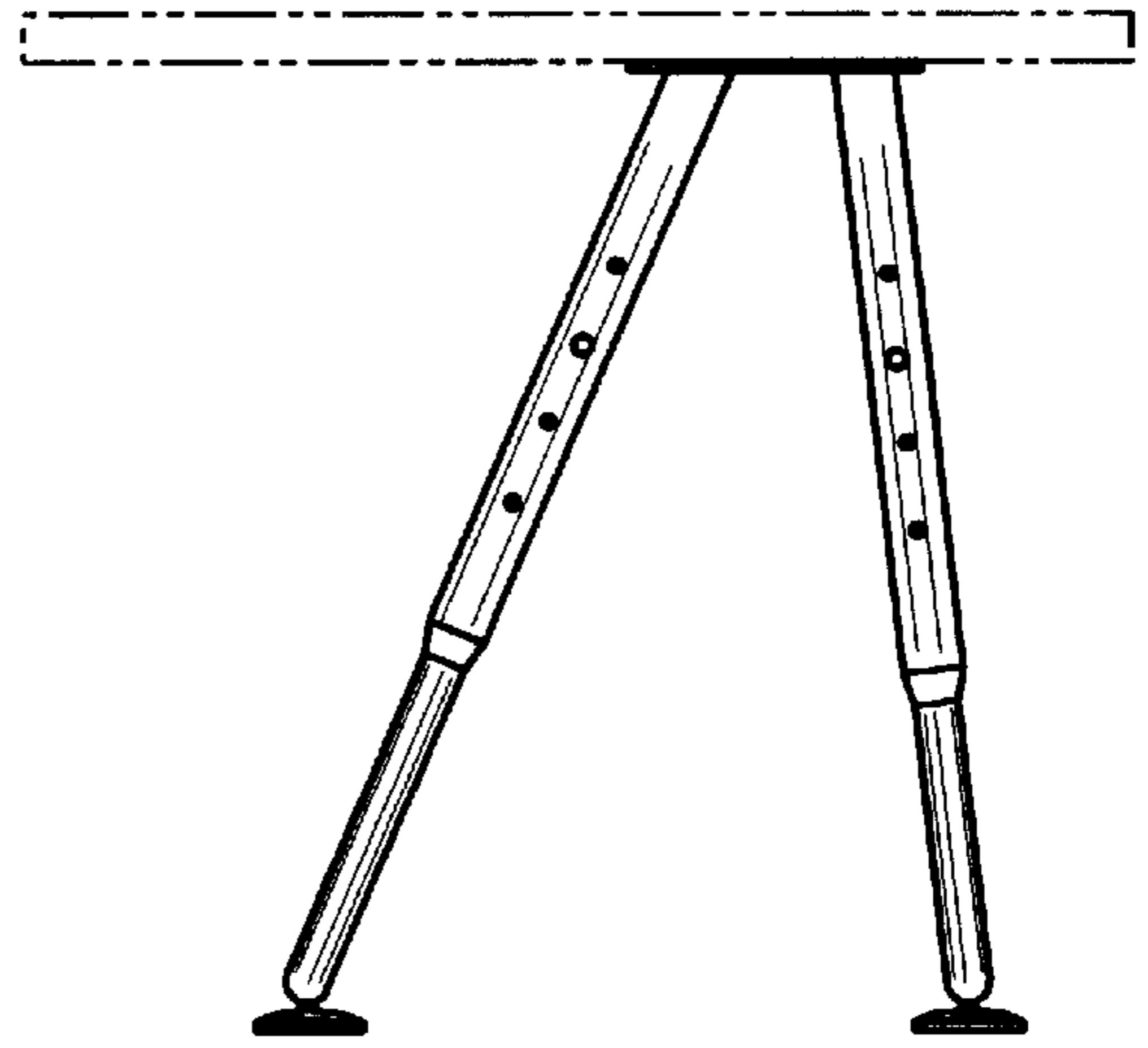


FIG. 4

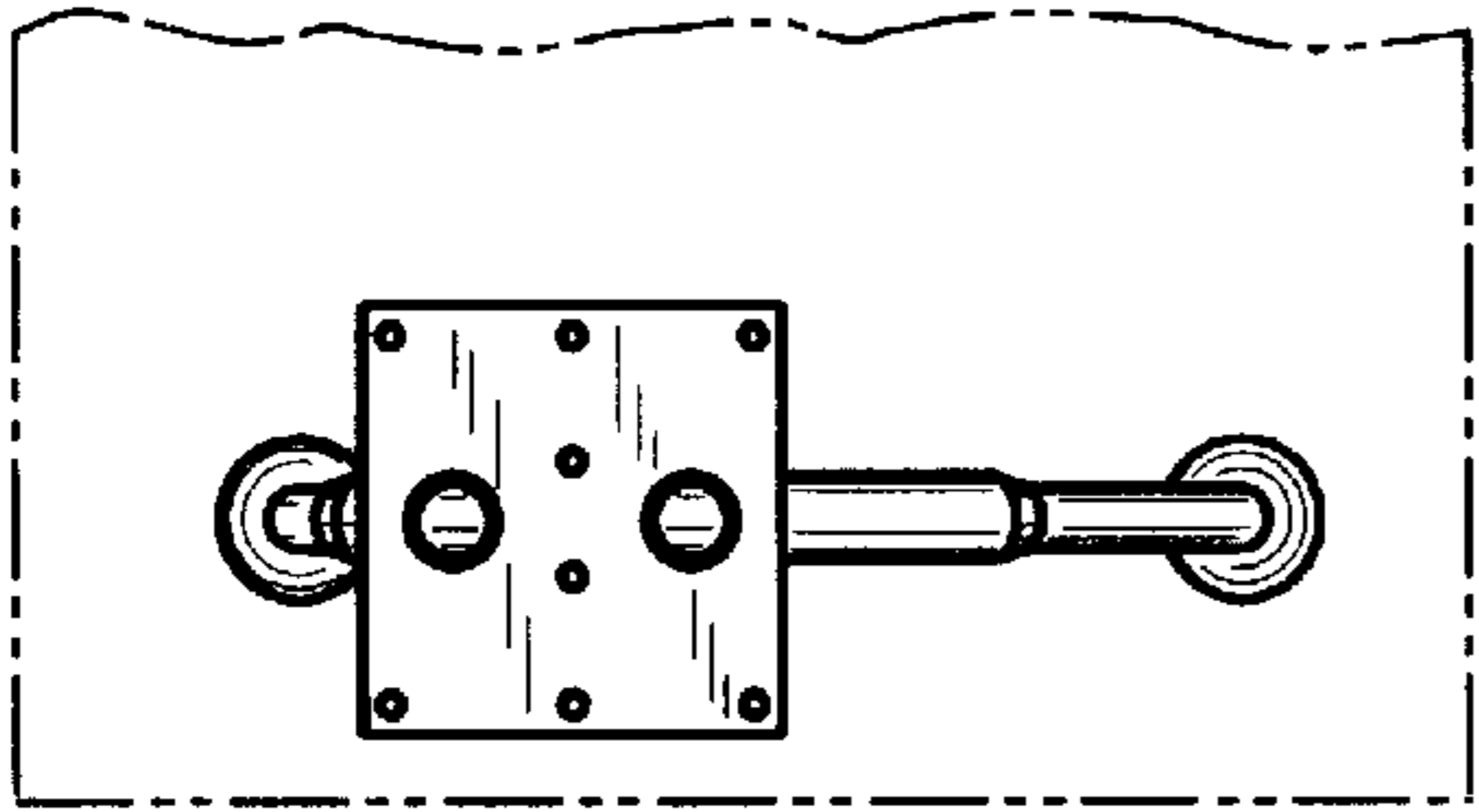


FIG. 5

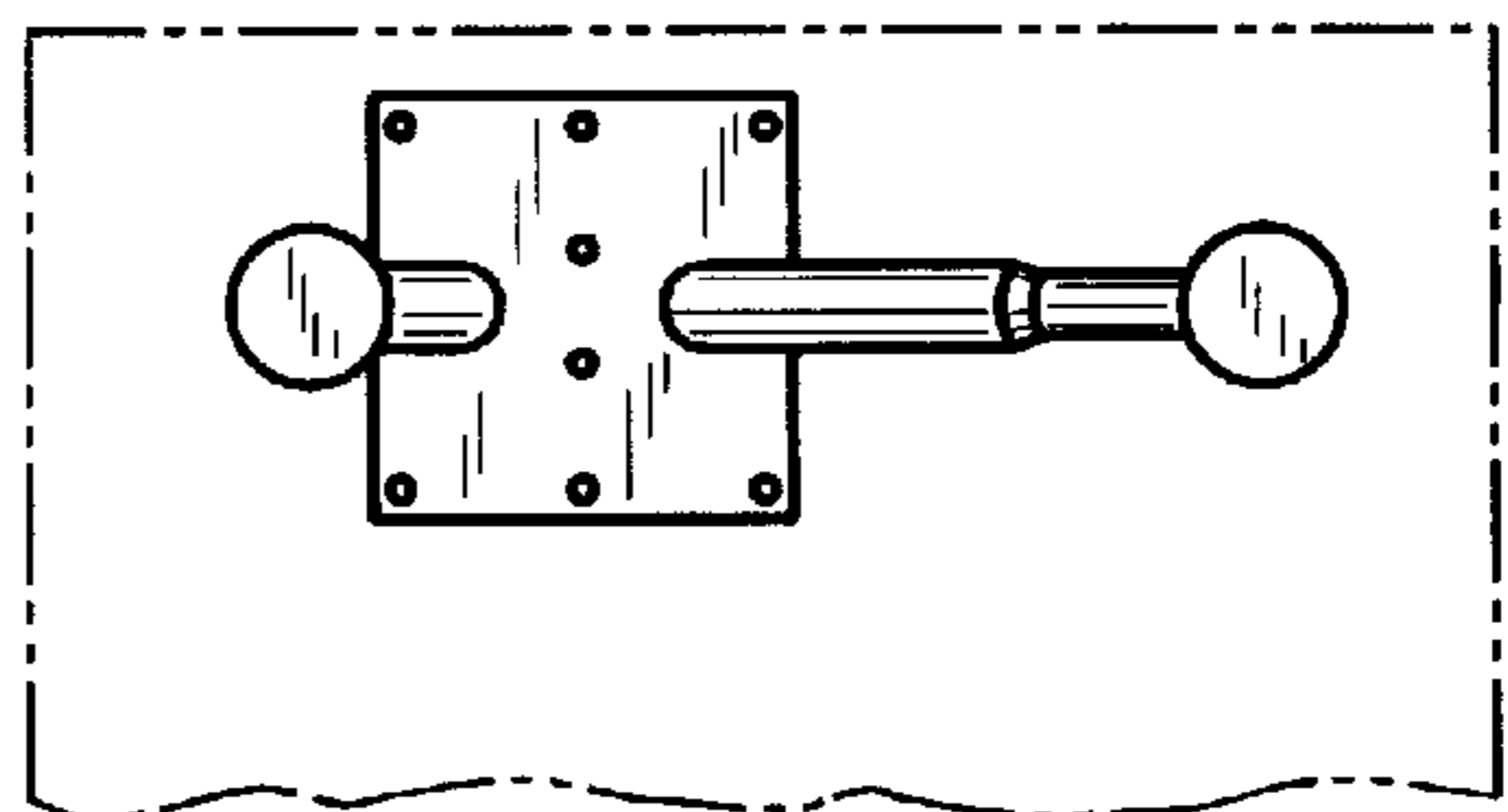


FIG. 6