



US00D423830S

# United States Patent [19]

Schlichter et al.

[11] Patent Number: Des. 423,830

[45] Date of Patent: \*\* May 2, 2000

[54] CONVERTIBLE FURNITURE FRAME

[75] Inventors: Mark E. Schlichter, Chippewa Falls;  
Mark S. Barton, Augusta, both of Wis.

[73] Assignee: August Lotz Co., Inc., Boyd, Wis.

[\*\*] Term: 14 Years

[21] Appl. No.: 29/098,723

[22] Filed: Jan. 5, 1999

[51] LOC (7) Cl. .... 06-06

[52] U.S. Cl. .... D6/492; D6/381; D6/500

[58] Field of Search ..... D6/334, 335, 364,  
D6/370, 371, 373, 379, 381, 492, 495,  
500, 501, 502; 297/232, 440.23, 411.42,  
411.45

[56] References Cited

U.S. PATENT DOCUMENTS

D. 58,261	6/1921	Thomas	.....	D6/371
D. 259,839	7/1981	Redmond	.....	D6/379
D. 326,367	5/1992	Messina	.....	D6/371
D. 368,173	3/1996	Kramer	.....	D6/379

Primary Examiner—Doris V. Coles  
Assistant Examiner—Mimosa De  
Attorney, Agent, or Firm—Andrus, Sceales, Starke &  
Sawall

[57] CLAIM

The ornamental design for a convertible furniture frame, as shown and described.

DESCRIPTION

FIG. 1 is an isometric view of a convertible furniture frame incorporating the design of the invention; FIG. 2 is a side elevation view thereof; FIG. 3 is a front elevation view of the convertible furniture frame; FIG. 4 is a side elevation view taken along line 4—4 in FIG. 3; FIG. 5 is a back elevation view thereof; FIG. 6 is a top plan view thereof; and, FIG. 7 is a bottom plan view thereof. The phantom lines shown in FIGS. 1–7 showing the cushion and remaining portions of the convertible furniture frame are for illustrative purposes only and form no part of the claimed design.

1 Claim, 6 Drawing Sheets

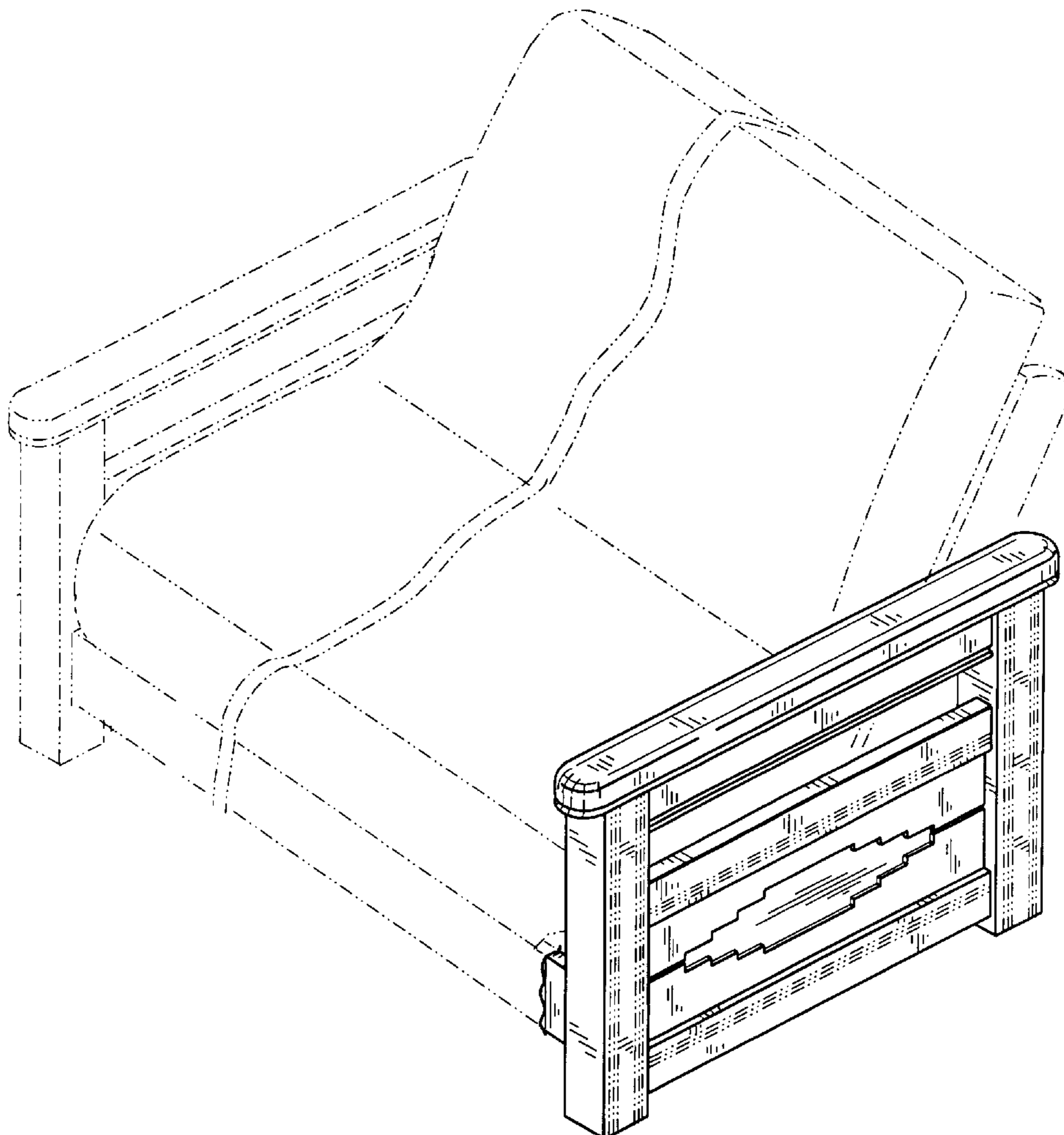


FIG. 1

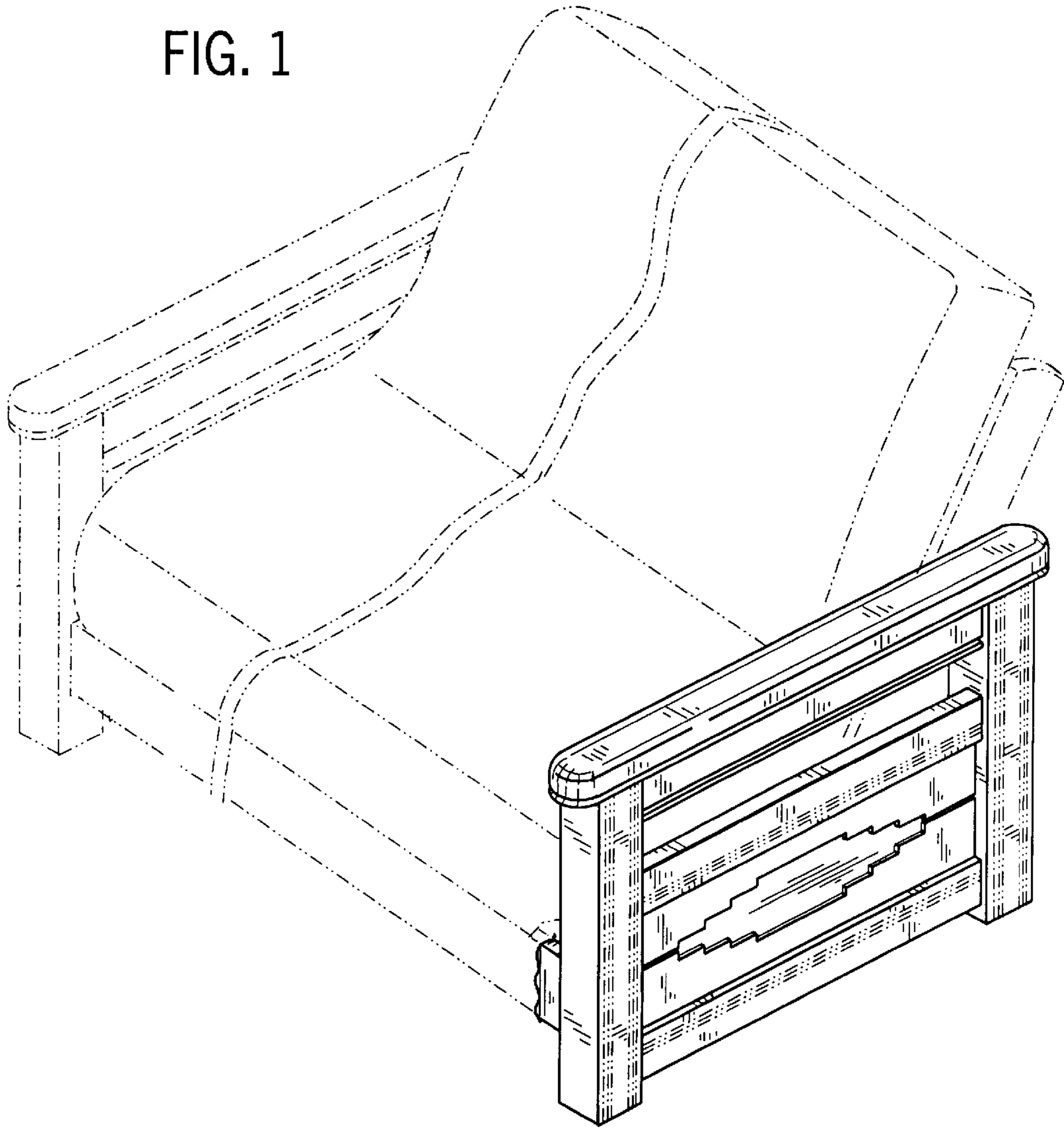


FIG. 2

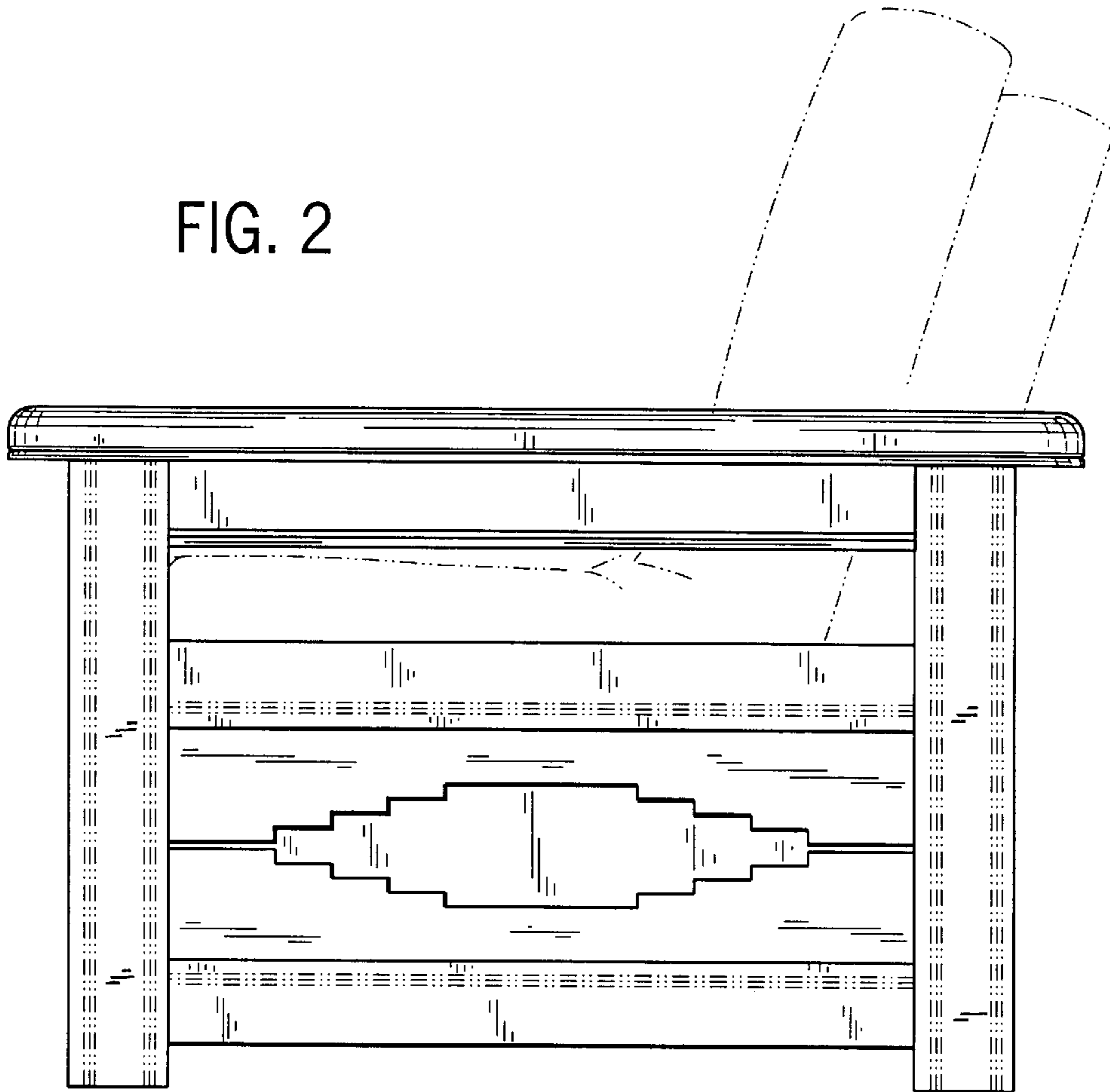
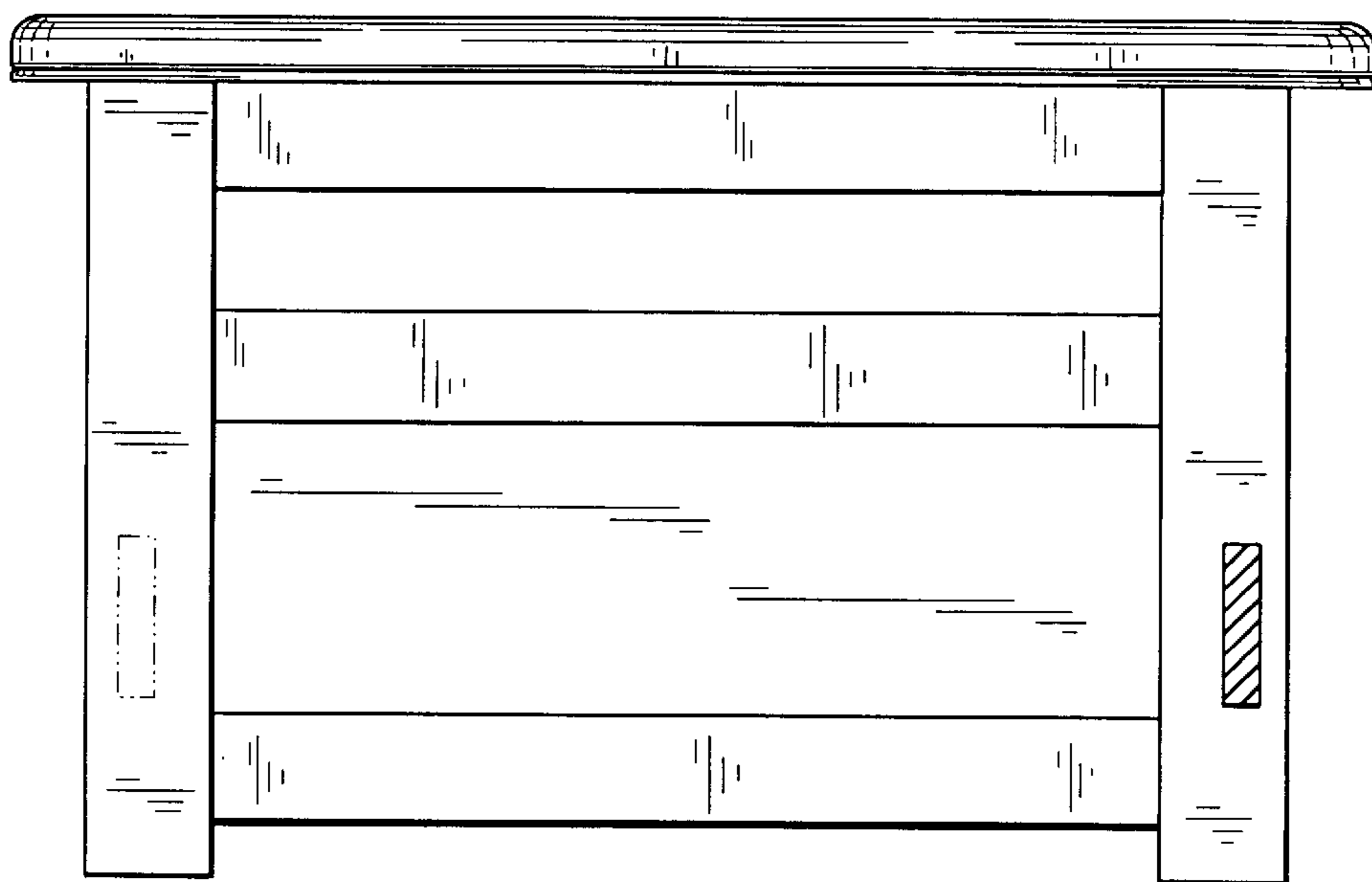


FIG. 4



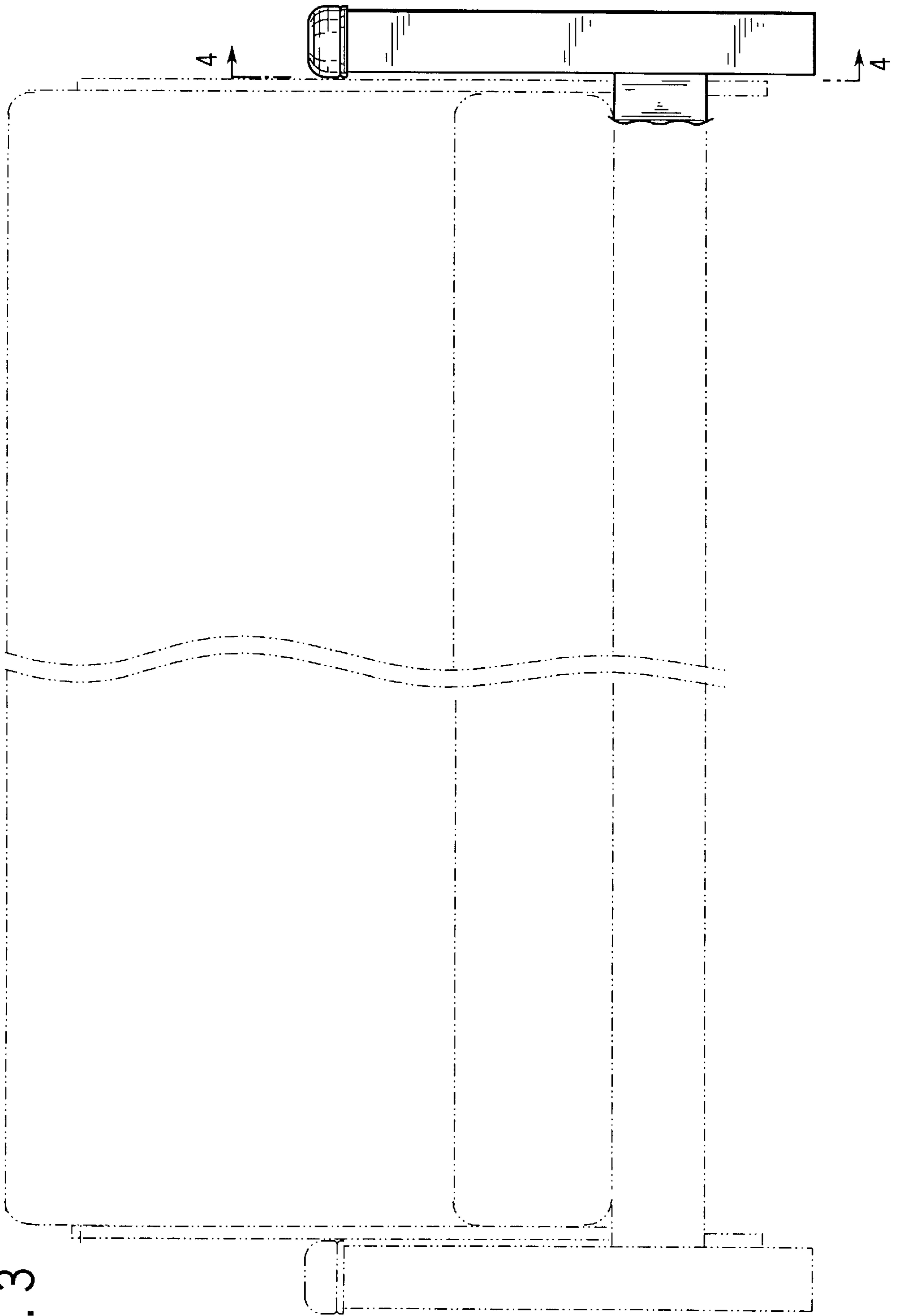
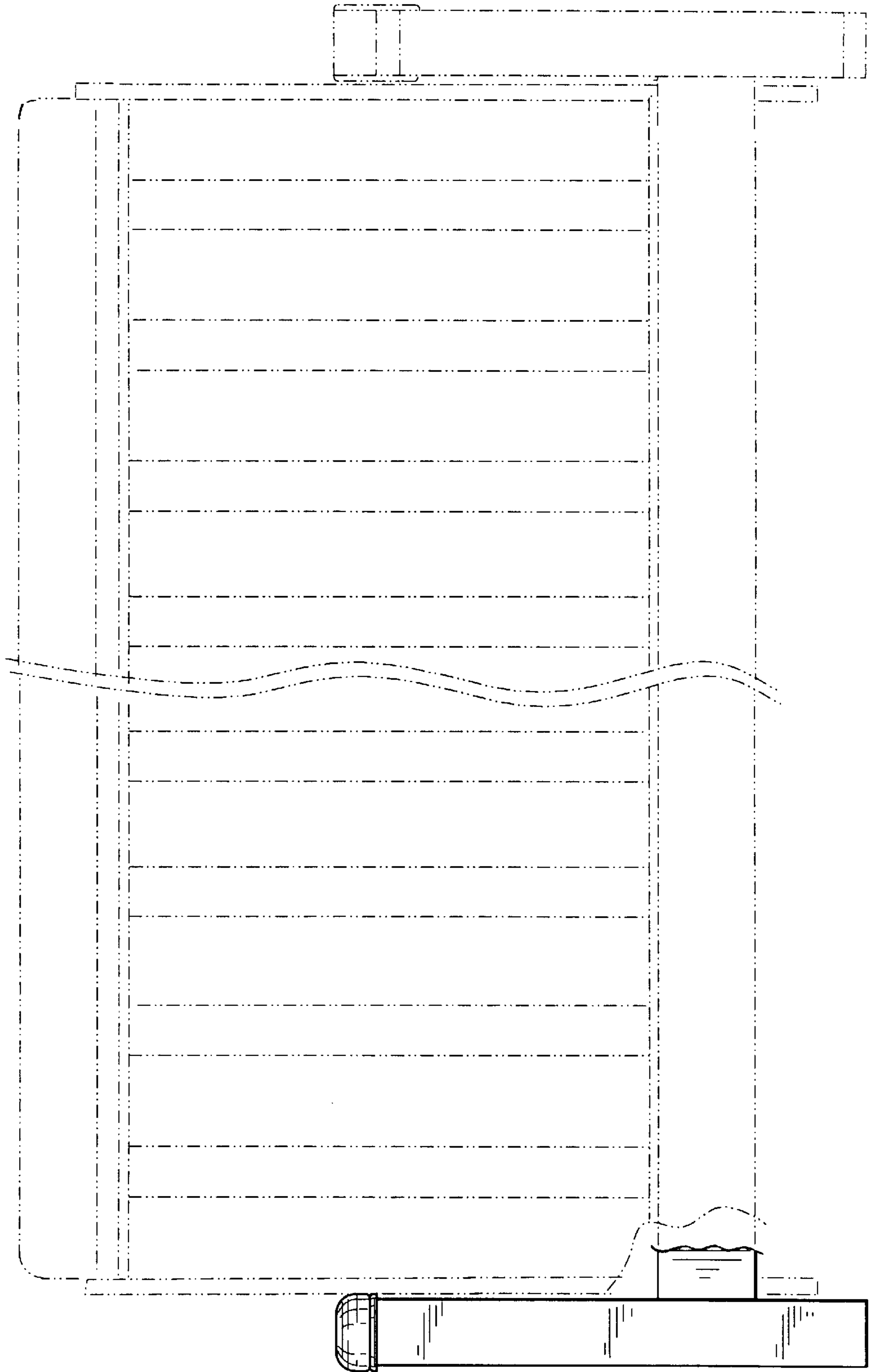


FIG. 3

FIG. 5



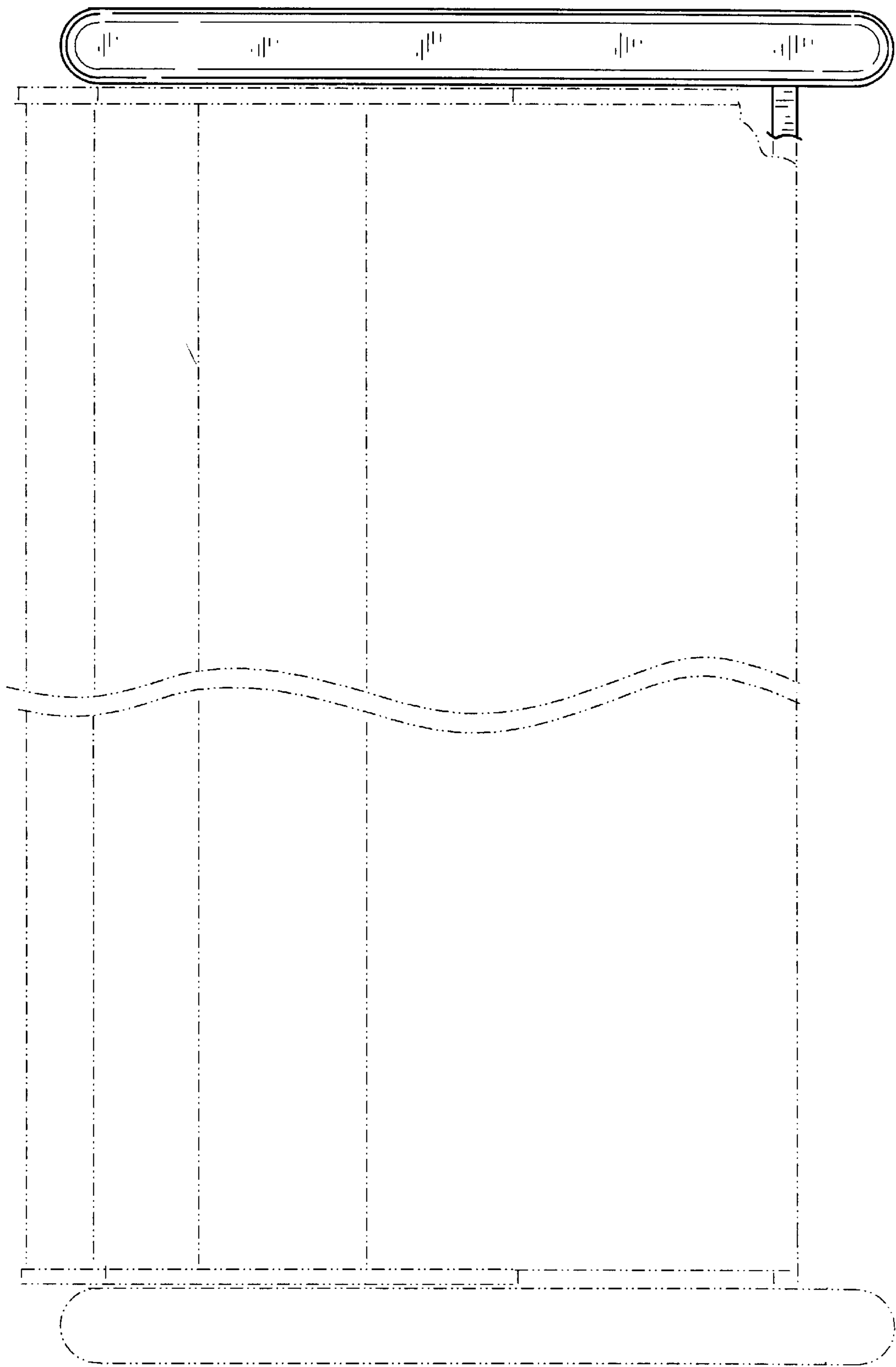


FIG. 6



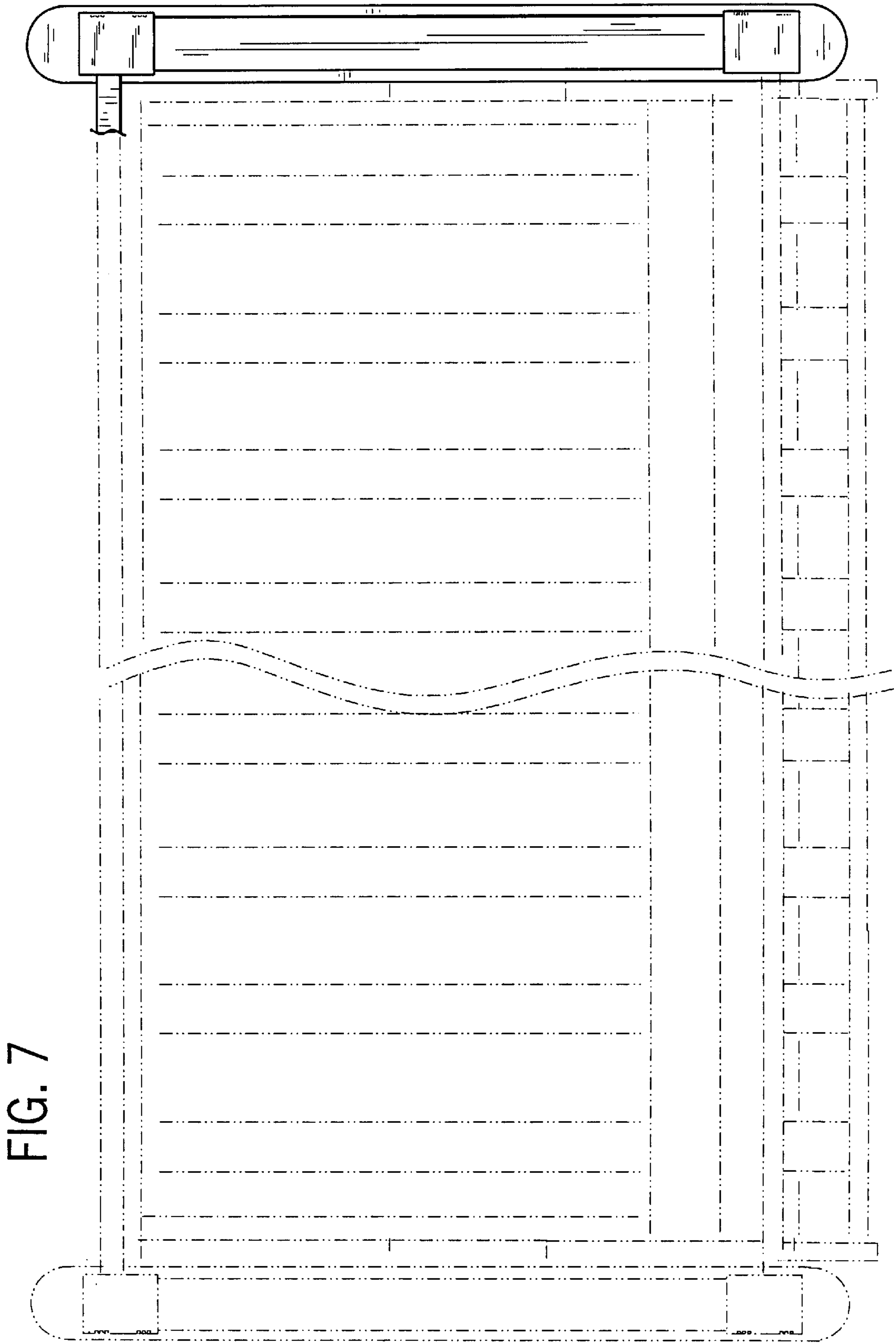


FIG. 7