



US00D423828S

# United States Patent [19] Wilkinson

[11] **Patent Number: Des. 423,828**  
[45] **Date of Patent: \*\* May 2, 2000**

[54] **WORKSTATION**  
[75] Inventor: **Clive Wilkinson**, Los Angeles, Calif.  
[73] Assignee: **Steelcase Development Inc.**, Grand Rapids, Mich.  
[\*\*] Term: **14 Years**  
[21] Appl. No.: **29/098,196**  
[22] Filed: **Dec. 23, 1998**

### Related U.S. Application Data

[62] Division of application No. 29/077,163, Jul. 30, 1997, Pat. No. Des. 409,419.  
[51] **LOC (7) Cl.** ..... **06-04**  
[52] **U.S. Cl.** ..... **D6/491; D6/421**  
[58] **Field of Search** ..... **D6/419-428, 332, D6/397, 486, 491, 492, 509-511; 512/194-196; 108/59, 60**

### References Cited

#### U.S. PATENT DOCUMENTS

D. 56,168 8/1920 Jones et al. .  
D. 100,703 8/1936 Lewis ..... D6/332  
D. 241,992 10/1976 Riswold .  
D. 286,233 10/1986 Schreiner ..... D6/397  
D. 288,157 2/1987 Sandor ..... D6/474  
D. 304,526 11/1989 Moss ..... D6/332  
D. 331,672 12/1992 Brodbeck ..... D6/421  
D. 349,608 8/1994 Savoie ..... D6/332  
D. 372,811 8/1996 Muller-Deisig et al. .... D6/399  
D. 394,963 6/1998 Gongora et al. .... D6/396  
D. 396,572 8/1998 Gongora et al. .... D6/397  
D. 400,376 11/1998 Hallenheim ..... D6/421  
D. 401,775 12/1998 Alexander et al. .... D6/422  
D. 405,976 2/1999 Beall ..... D6/396  
1,424,531 8/1922 Turbeville .  
3,217,672 11/1965 Haughey .  
3,326,147 6/1967 Toney .  
3,437,060 4/1969 Giambalvo .  
3,559,352 2/1971 Magnuson .  
3,629,960 12/1971 Roush .  
3,869,992 3/1975 Kramer ..... 108/60  
3,931,771 1/1976 Kramer .

4,214,392 7/1980 Virsen ..... 40/605  
4,365,561 12/1982 Tellier et al. .... 108/7  
4,504,892 3/1985 Zulfilar .  
4,725,106 2/1988 Shields et al. .  
4,936,228 6/1990 Capo-Bianco ..... 108/64  
5,065,832 11/1991 Mark .  
5,104,087 4/1992 Wentzloff et al. .  
5,291,700 3/1994 Chew .  
5,318,259 6/1994 Fussler .  
5,321,579 6/1994 Brown .  
5,401,095 3/1995 Williams et al. .... 312/249.9  
5,416,666 5/1995 Maguire, Jr. .... 361/681  
5,507,570 4/1996 Williams et al. .... 312/249.9  
5,699,225 12/1997 Yavitz et al. .  
5,715,761 2/1998 Frattini .  
5,775,919 7/1998 Gardner .  
5,833,332 11/1998 Marshall et al. .  
5,848,497 12/1998 Henderson .  
5,865,125 2/1999 Alexander et al. .

### FOREIGN PATENT DOCUMENTS

212679 3/1987 European Pat. Off. .  
1344434 10/1963 France .  
2670999 7/1992 France .  
WO 93/19653 10/1993 WIPO .

*Primary Examiner*—Carmen H. Vales-Lado  
*Attorney, Agent, or Firm*—Foley & Lardner

### [57] CLAIM

The ornamental design for a workstation, as shown and described.

### DESCRIPTION

FIG. 1 is a left front perspective view of a workstation embodying my new design.  
FIG. 2 is a left rear perspective view of the workstation.  
FIG. 3 is a top plan view of the workstation.  
FIG. 4 is a front elevation view of the workstation.  
FIG. 5 is a bottom plan view of the workstation.  
FIG. 6 is a rear elevation view of the workstation.  
FIG. 7 is a left side elevation view of the workstation; and,  
FIG. 8 is a right side elevation view of the workstation.  
The broken line disclosure is for illustrative purposes only and forms no part of the claimed design.

**1 Claim, 5 Drawing Sheets**

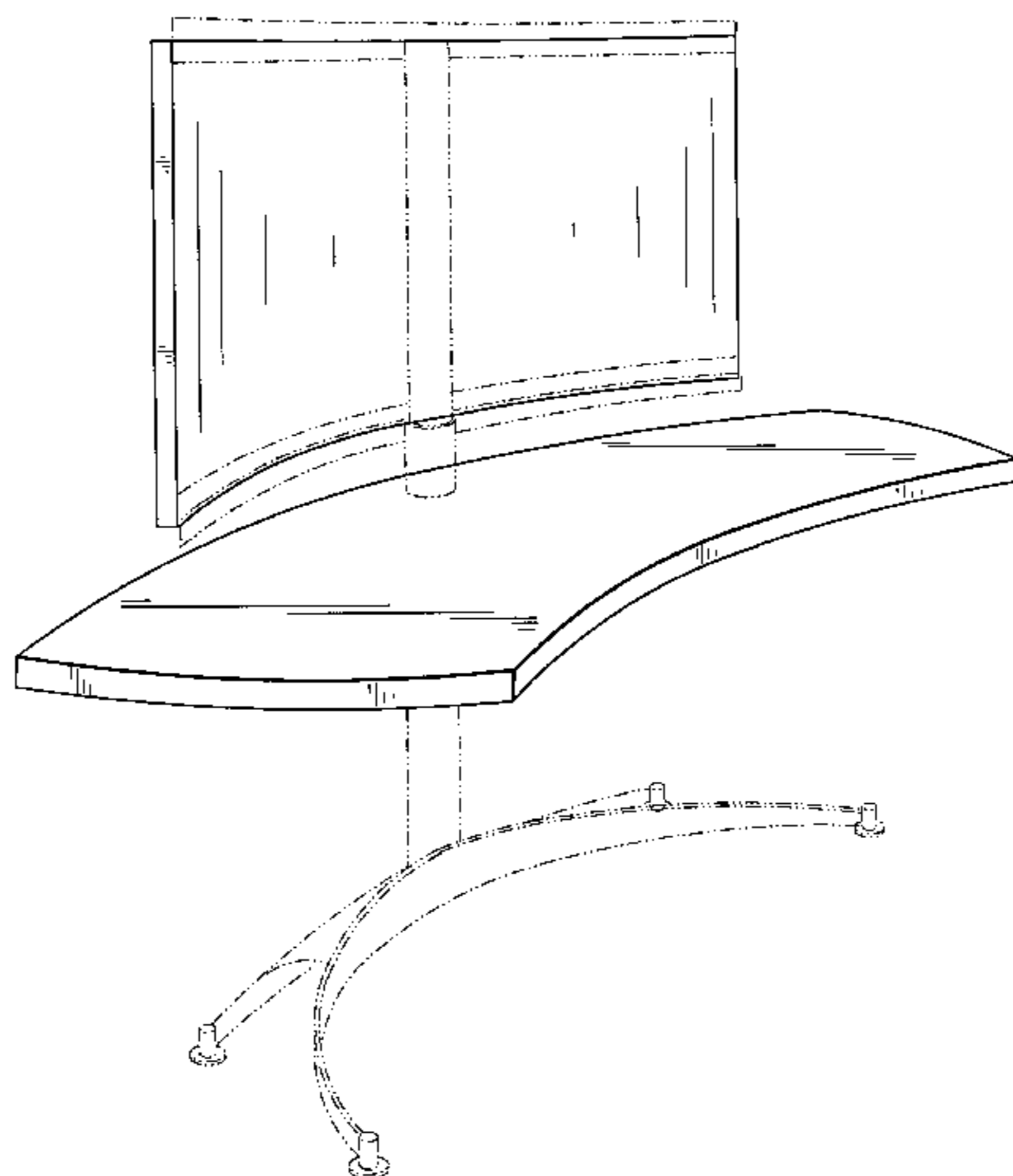


FIG. 1

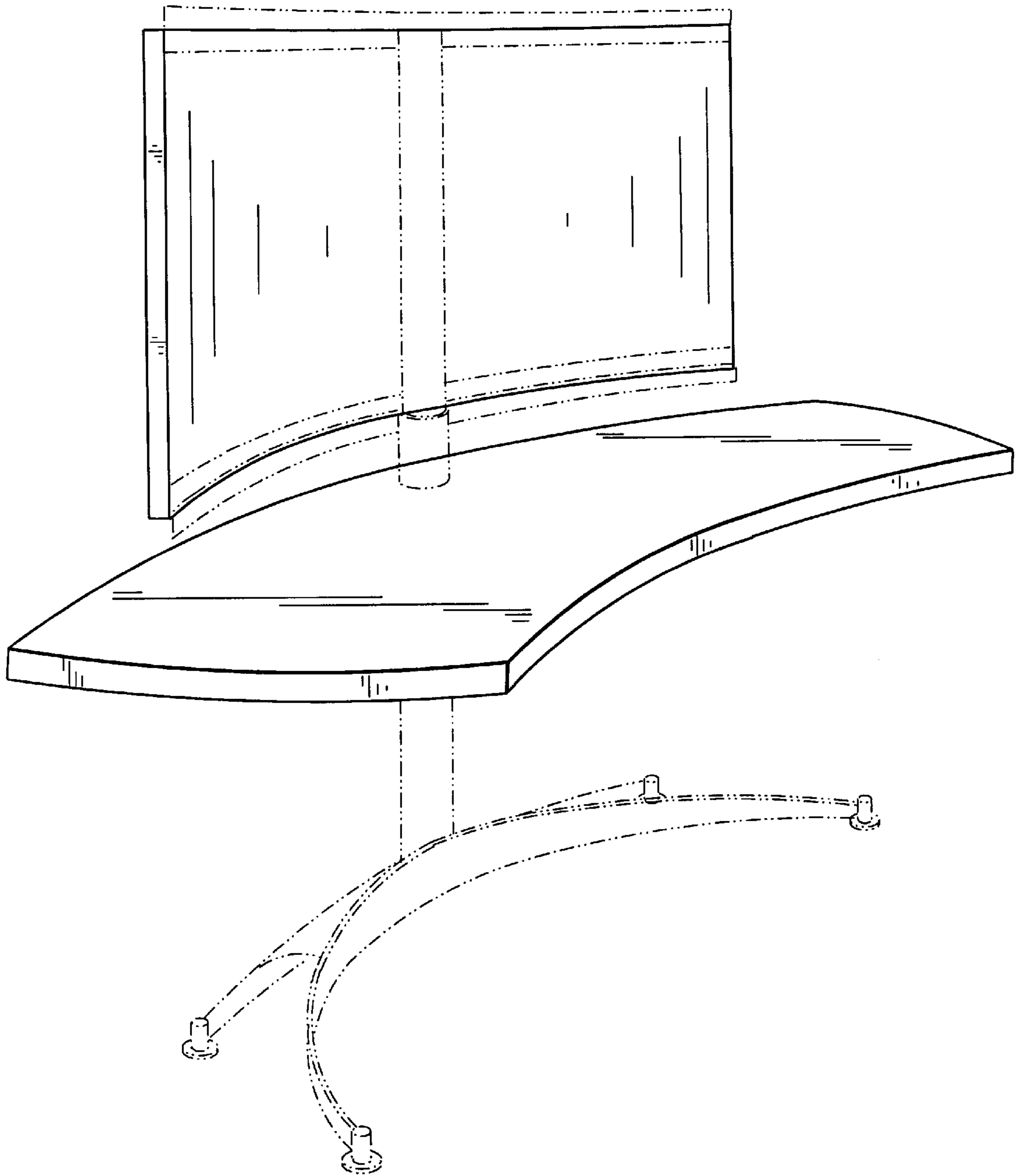


FIG. 2

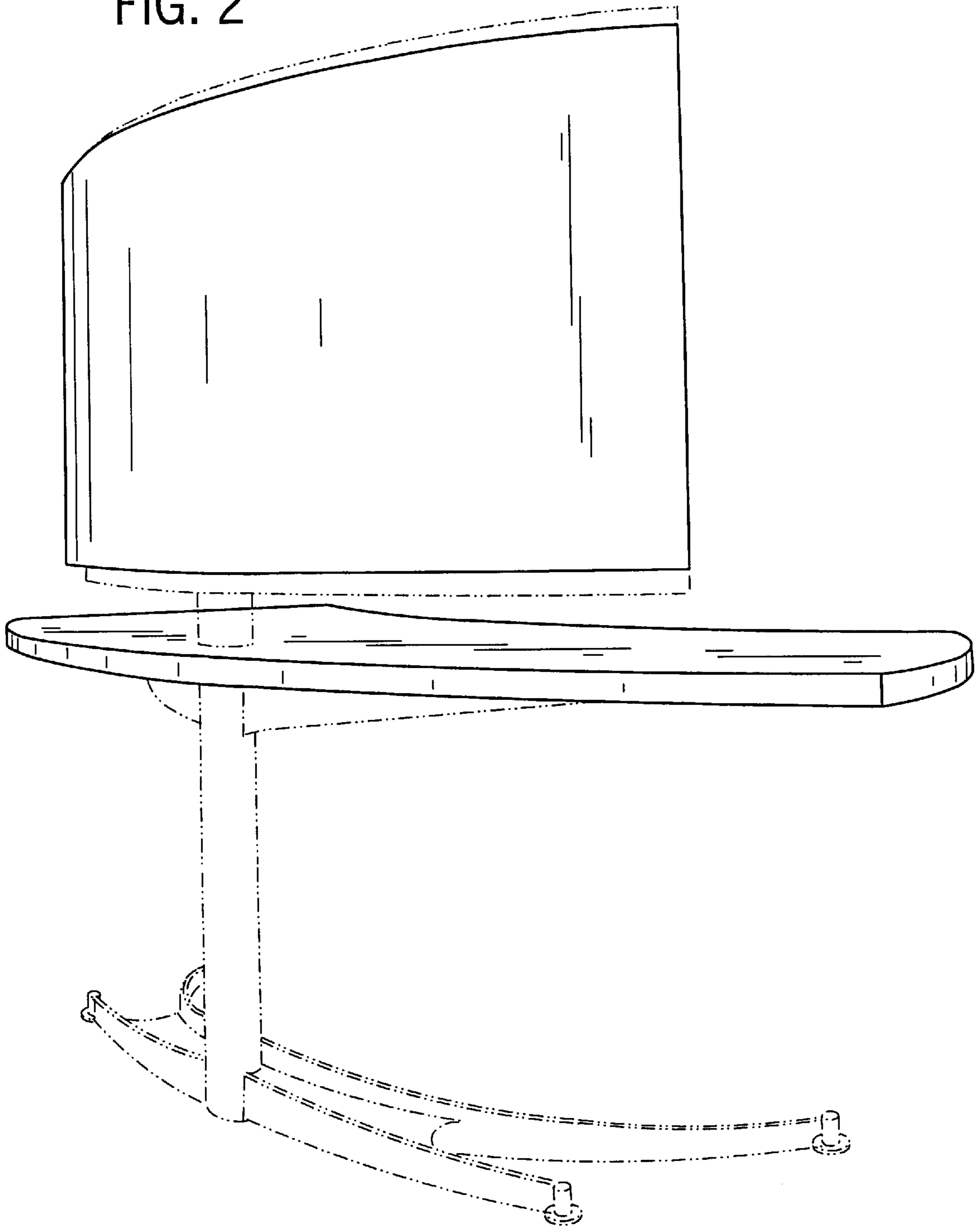


FIG. 3

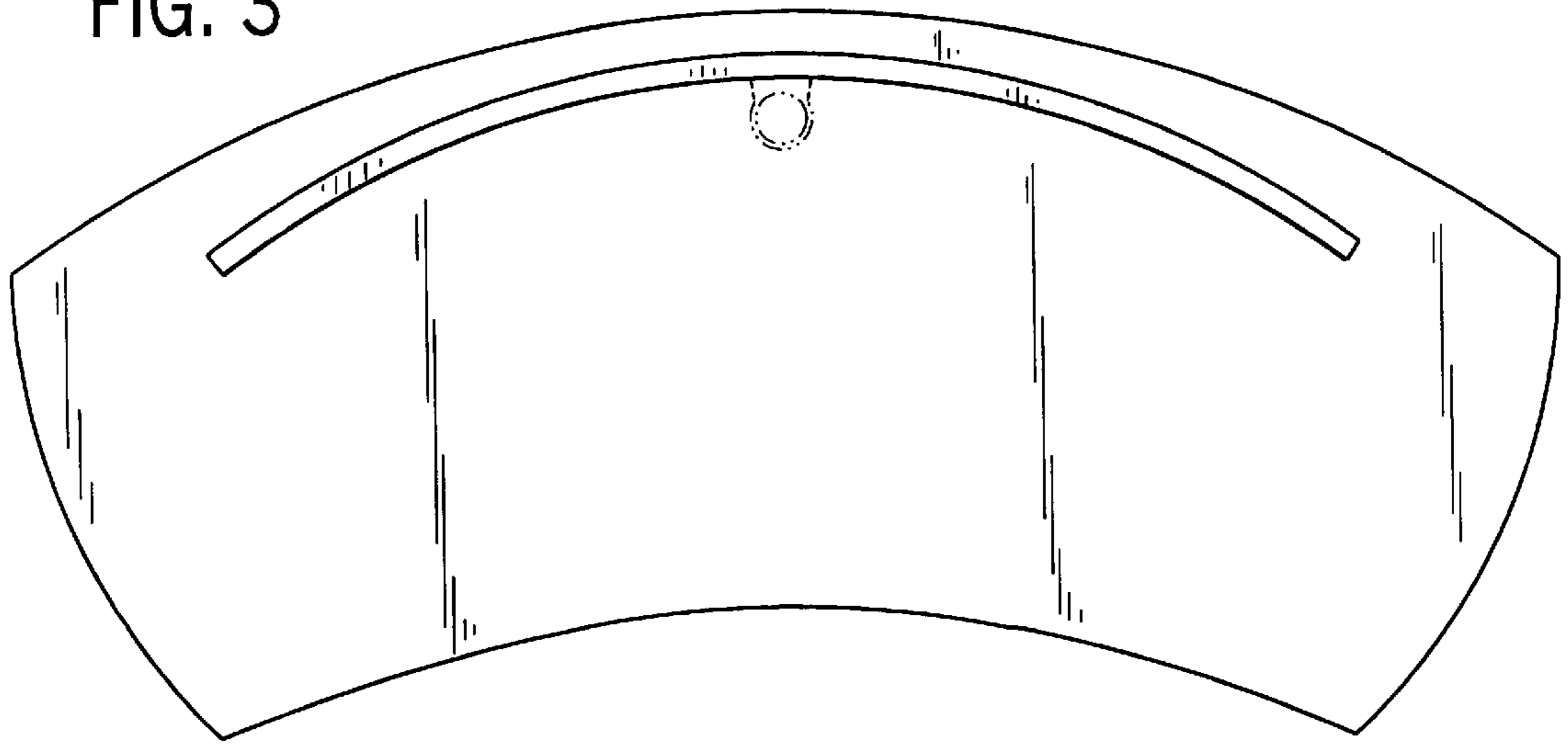


FIG. 4

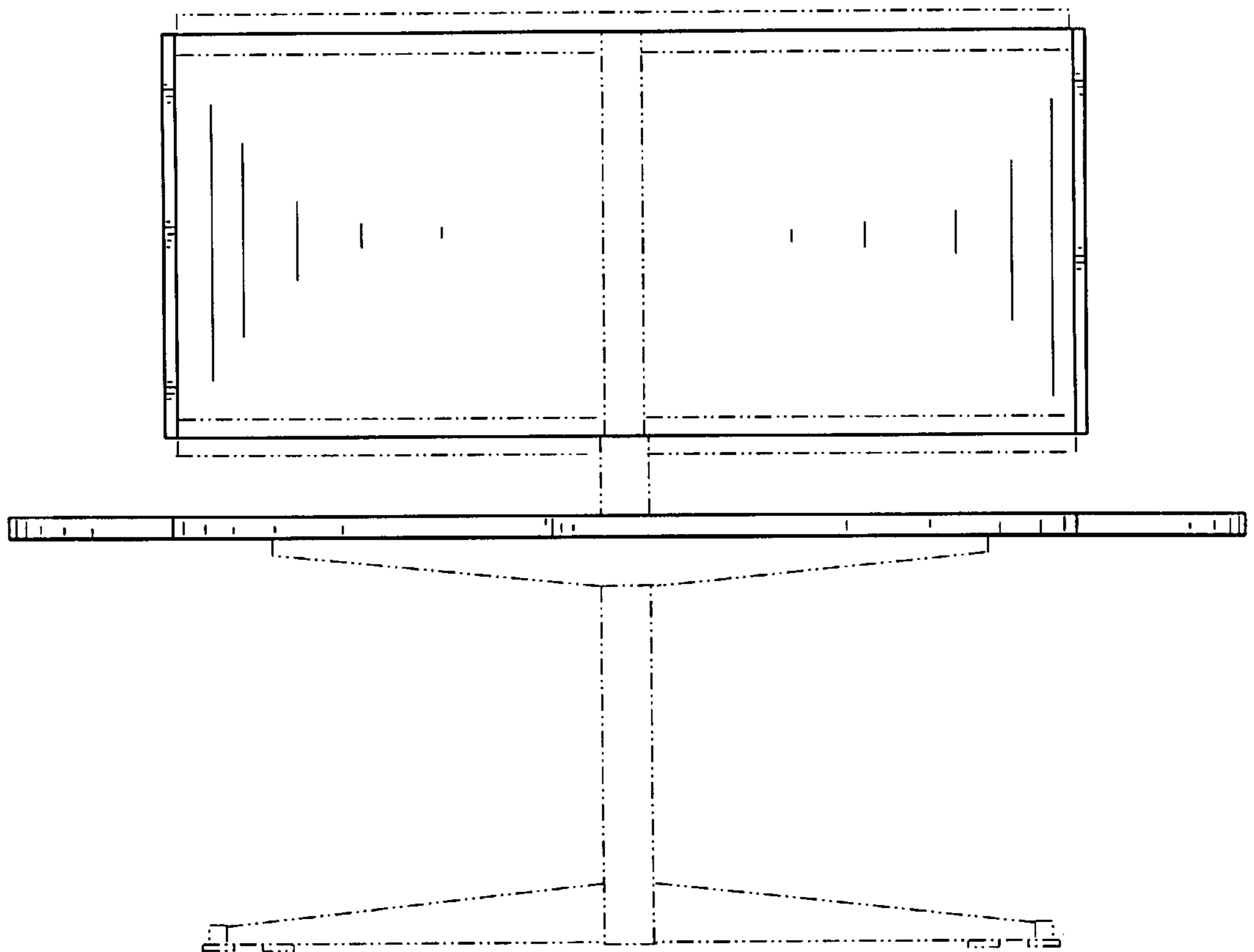


FIG. 5

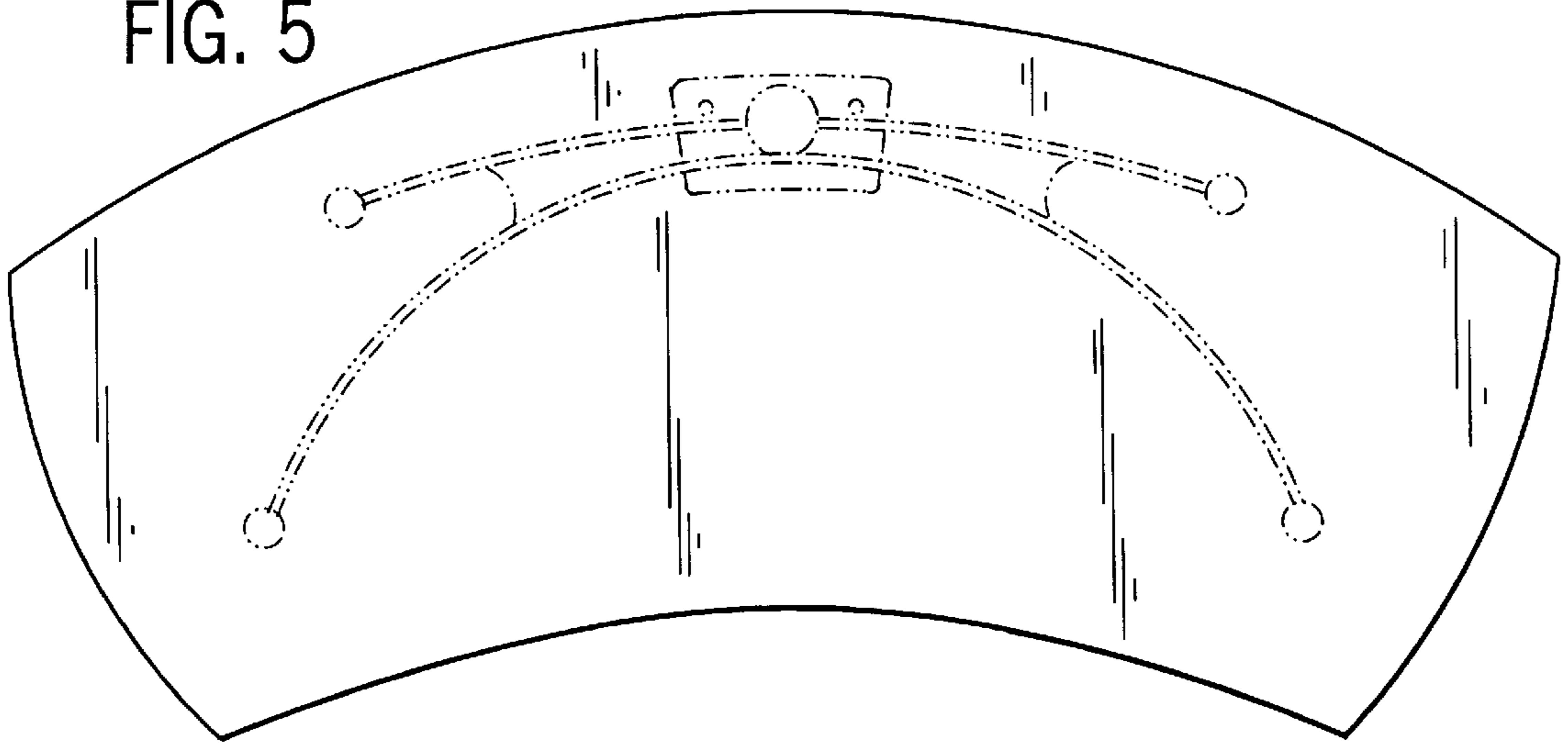


FIG. 6

