



US00D423827S

United States Patent [19] Tseng

[11] Patent Number: **Des. 423,827**

[45] Date of Patent: **** May 2, 2000**

[54] **DESK** 4,941,413 7/1990 Vanderminden 108/157

[75] Inventor: **Chuen-Jong Tseng**, Chiayi Hsien, Taiwan

[73] Assignee: **Shin Yen Enterprise Co., Ltd.**, Chiayi Hsien, Taiwan

[**] Term: **14 Years**

[21] Appl. No.: **29/106,230**

[22] Filed: **Jun. 10, 1999**

[51] **LOC (7) Cl.** **06-03**

[52] **U.S. Cl.** **D6/480; D6/488; D6/451**

[58] **Field of Search** D6/480-489, 495, D6/499, 451; 108/153.1, 155, 156, 161; 248/188, 188.1, 188.7, 188.8

[56] **References Cited**

U.S. PATENT DOCUMENTS

- D. 239,800 5/1976 Robertson D6/488
- D. 278,959 5/1985 Berry, Jr. D6/480
- D. 352,622 11/1994 Alchin D6/499

OTHER PUBLICATIONS

- Molla #53, c1952, p. 17, table in center.
- Lyon-Shaw, c1991, p. 42, Round KD table at right and center.
- Salterini, c1948, p. 18, table.

Primary Examiner—Janice E. Seeger
Attorney, Agent, or Firm—Ladas & Parry

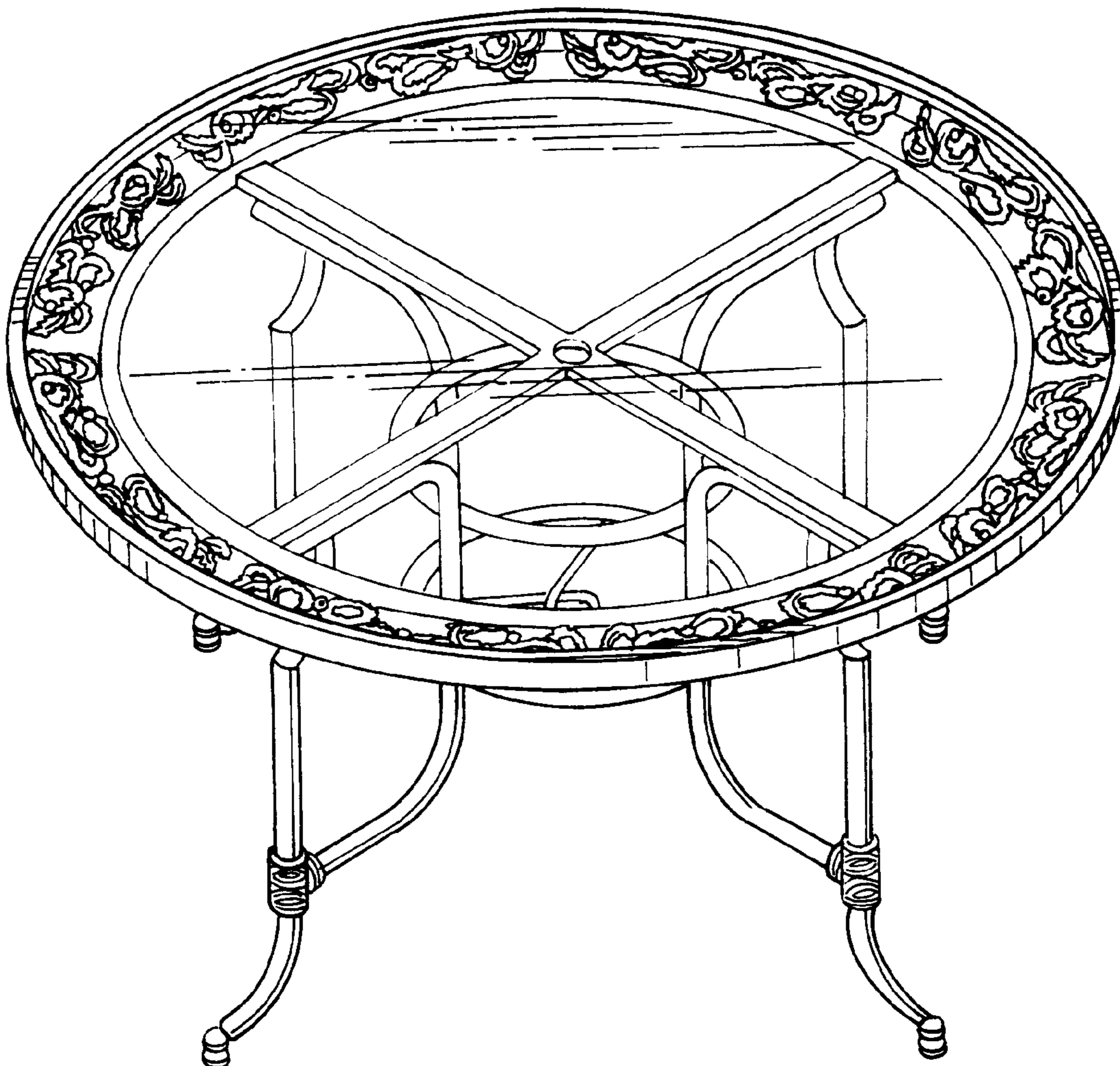
[57] **CLAIM**

The ornamental design for desk, as shown and described.

DESCRIPTION

- FIG. 1 is a perspective view of desk showing my new design;
- FIG. 2 is a front elevational view thereof;
- FIG. 3 is a rear elevational view thereof;
- FIG. 4 is a left side elevational view thereof;
- FIG. 5 is a right side elevational view thereof;
- FIG. 6 is a top plan view thereof; and,
- FIG. 7 is a bottom plan view thereof.

1 Claim, 4 Drawing Sheets



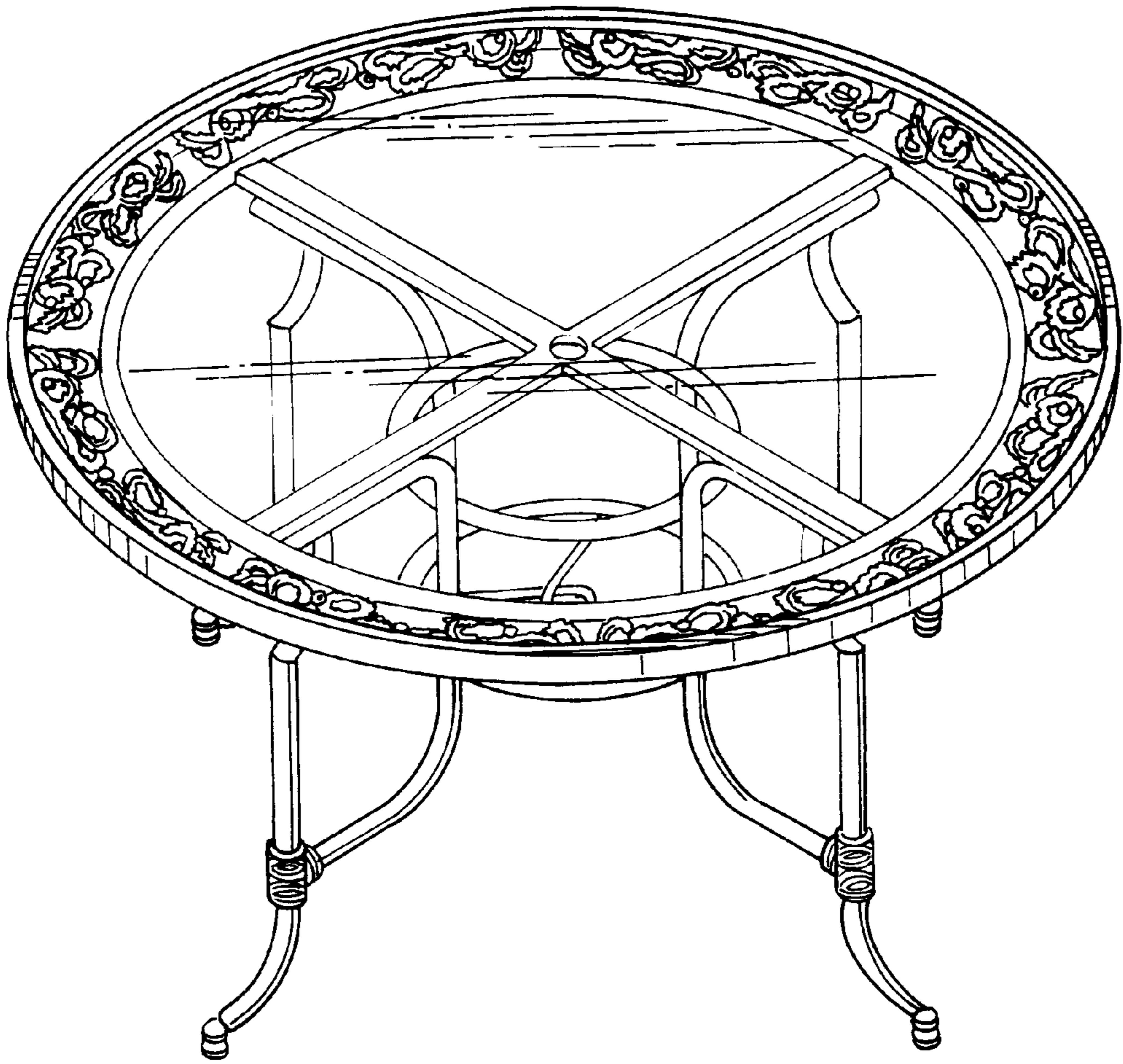


FIG. 1

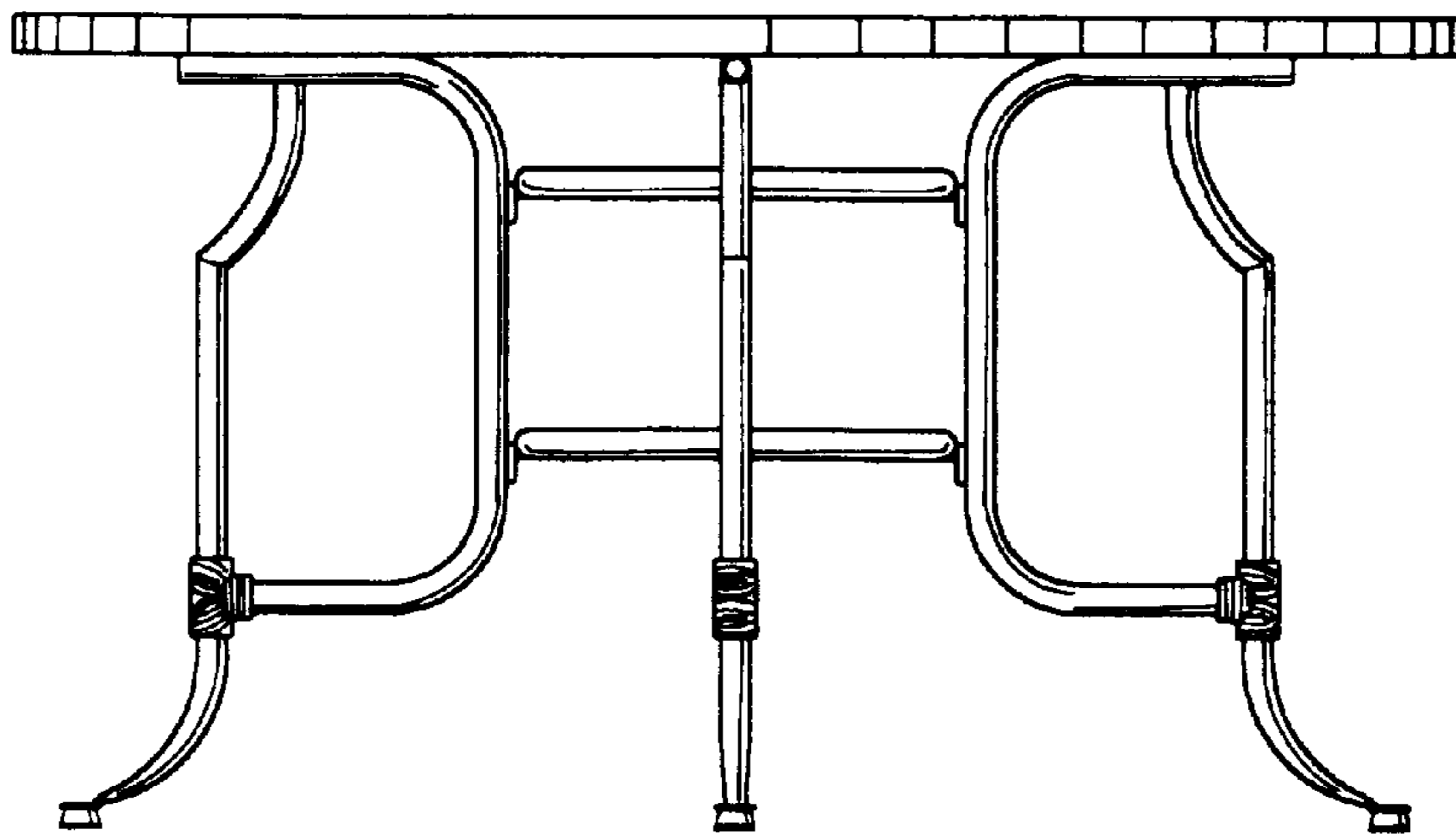


FIG. 2

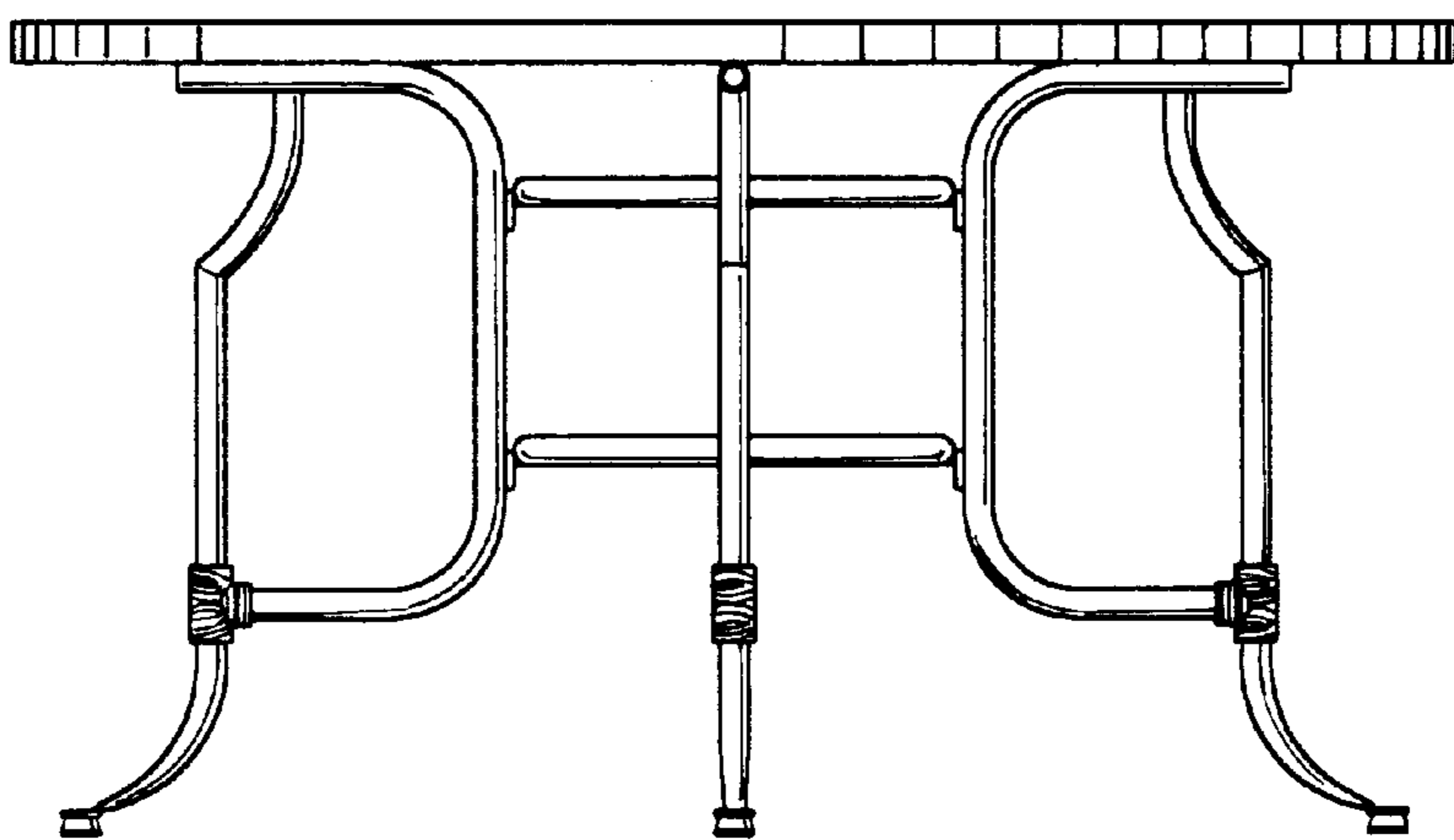


FIG. 3

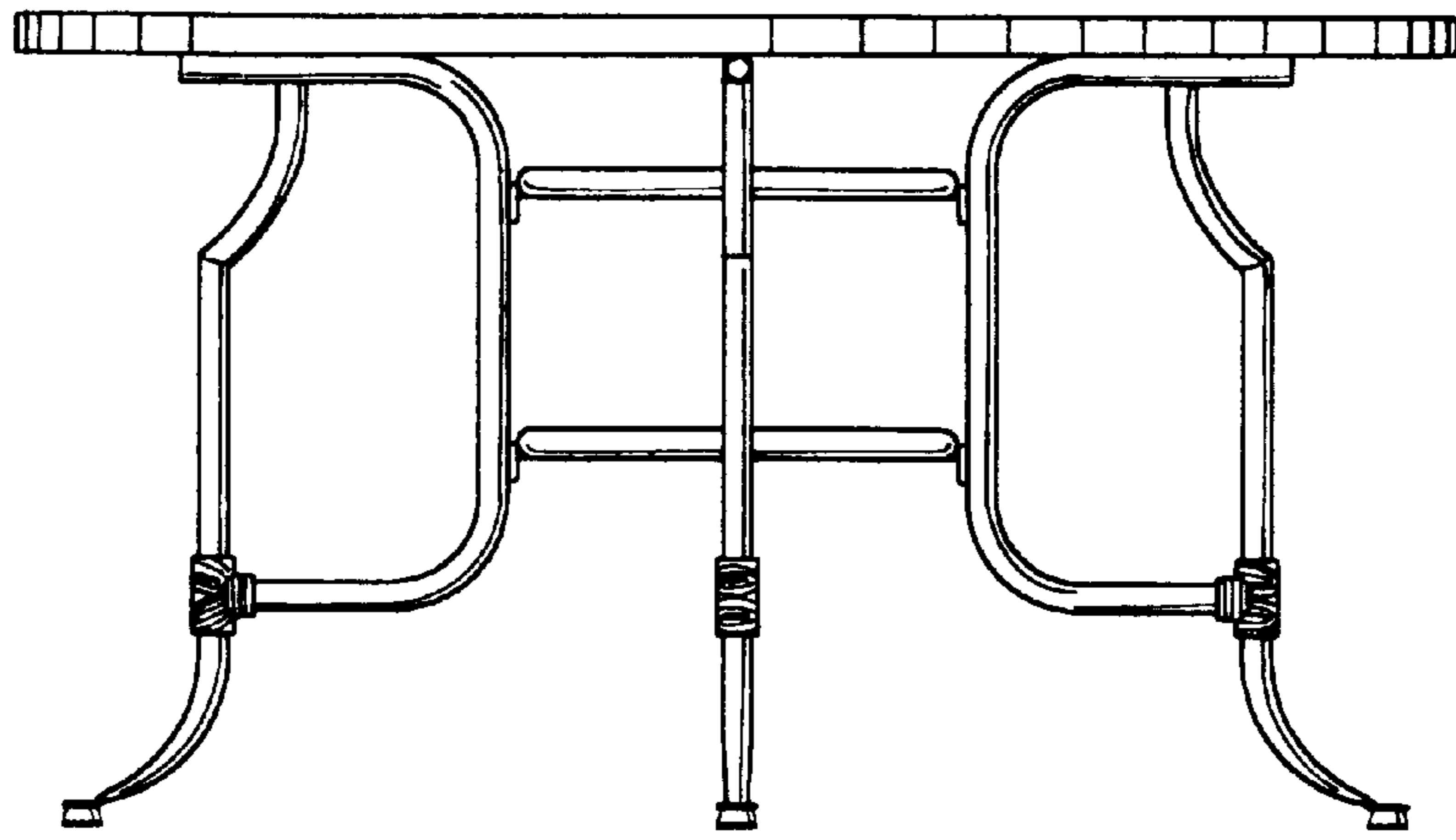


FIG. 4

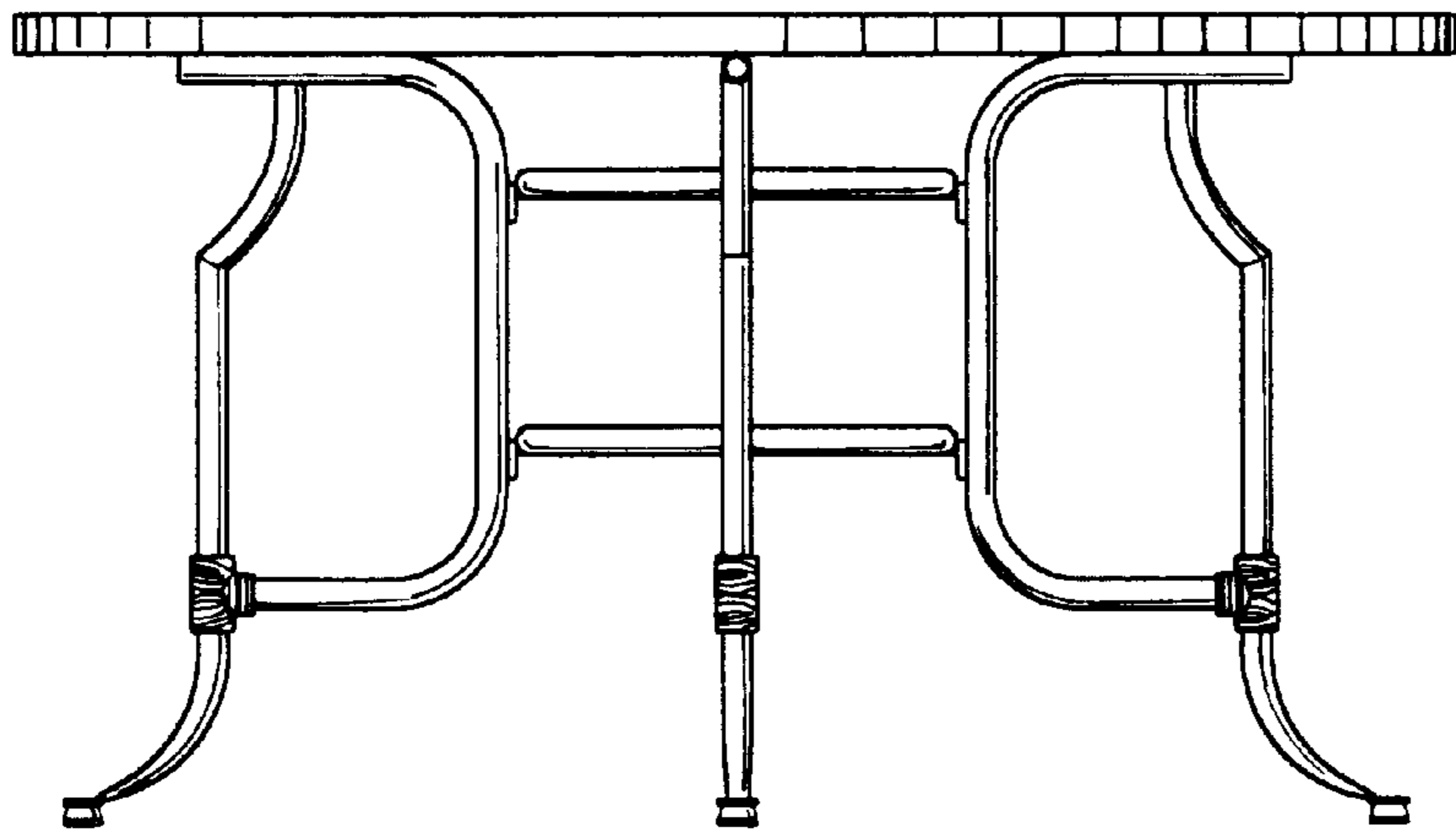


FIG. 5

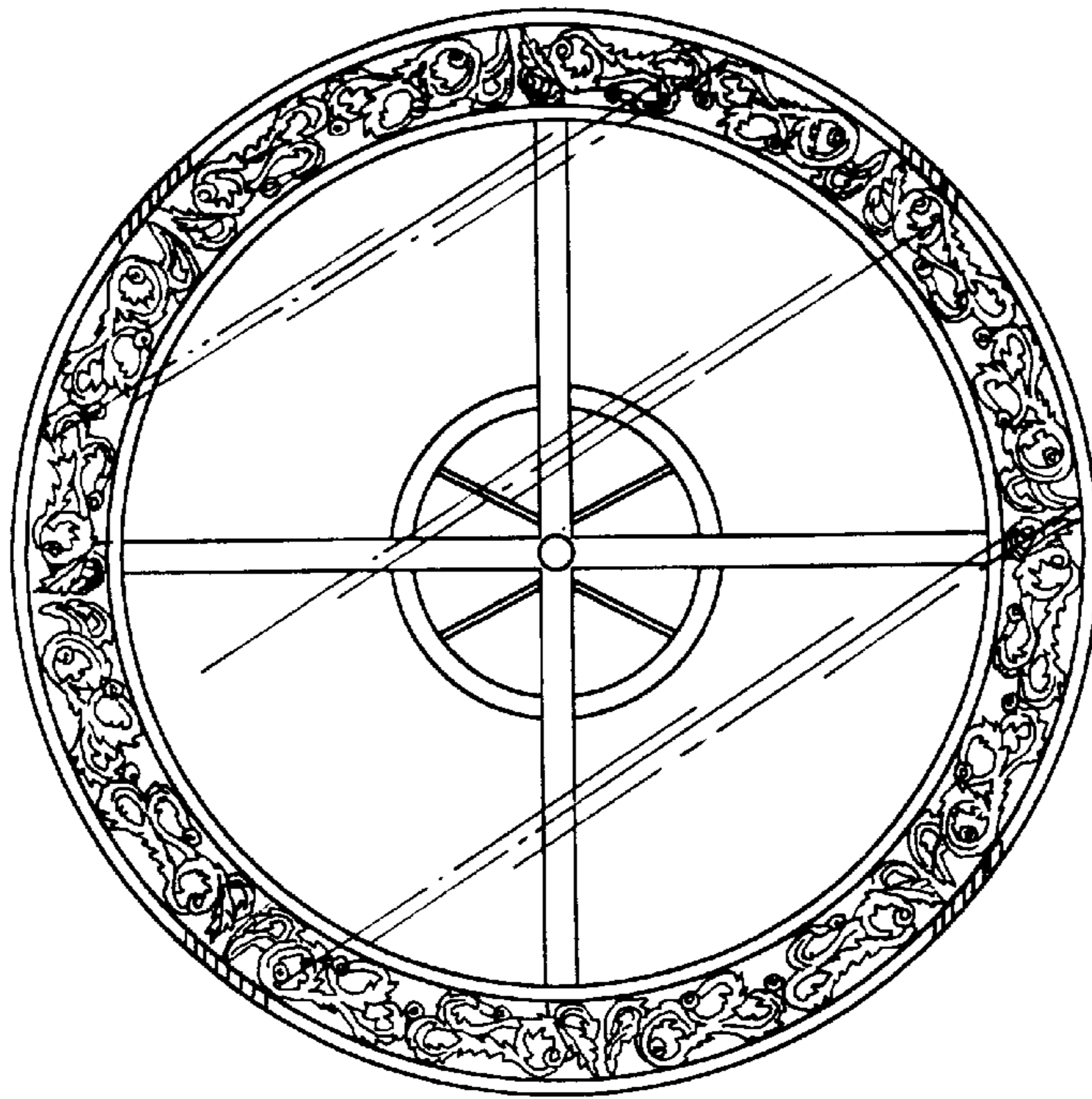


FIG. 6

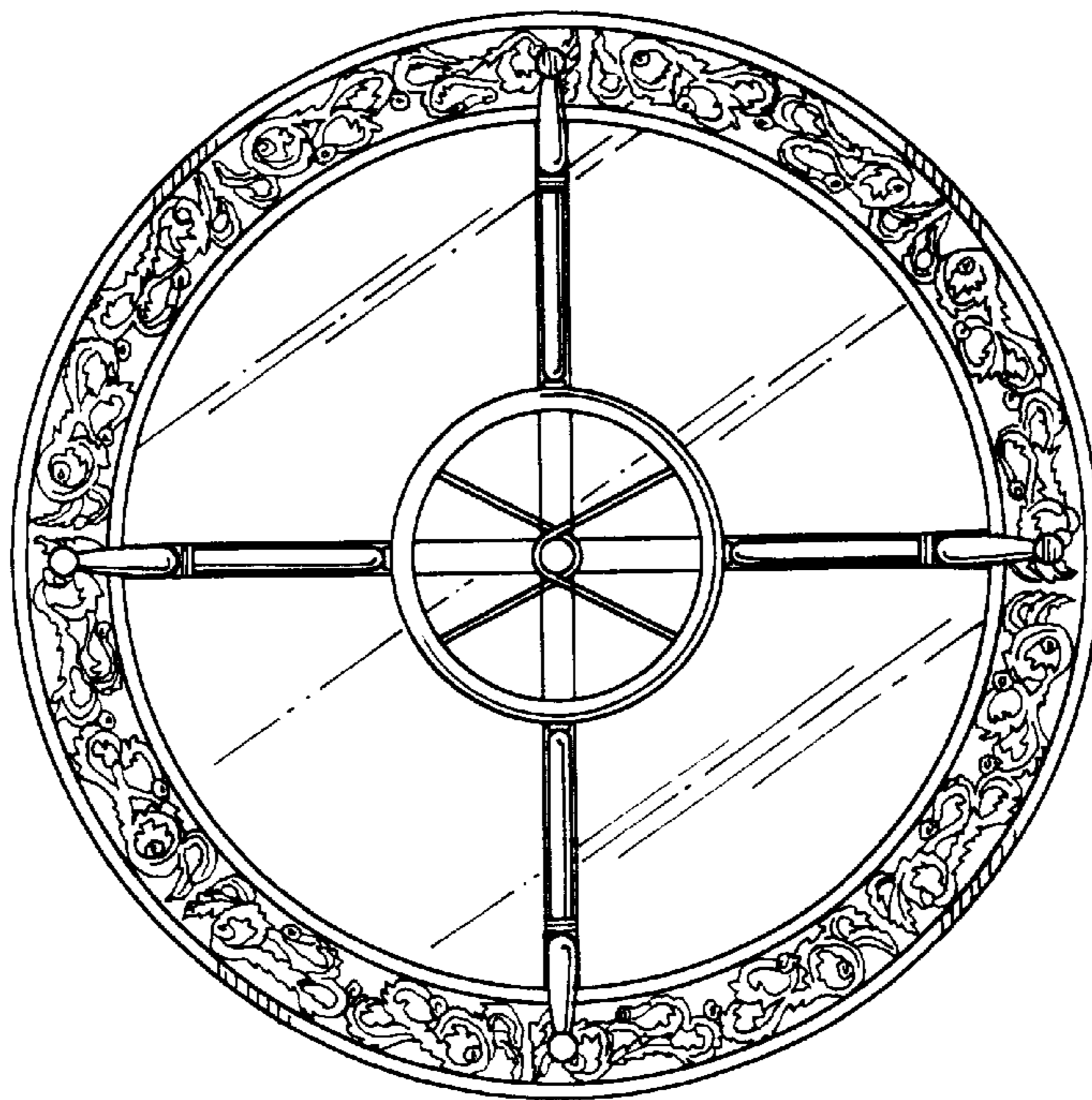


FIG. 7