



US00D423822S

United States Patent [19] Takemasa

[11] **Patent Number: Des. 423,822**

[45] **Date of Patent: ** May 2, 2000**

[54] **TELEVISION SET STAND**

820,336 5/1906 Bancroft 248/161

[75] Inventor: **Hirofumi Takemasa**, Osaka, Japan

OTHER PUBLICATIONS

Panasonic Model TH-42PM 1 catalogue issued Apr. 1998.

[73] Assignee: **Matsushita Electric Industrial Co., Ltd.**, Japan

Primary Examiner—Doris V. Coles

Assistant Examiner—Mimosa De

[**] Term: **14 Years**

Attorney, Agent, or Firm—Saidman DesignLaw Group

[21] Appl. No.: **29/102,088**

[57] CLAIM

[22] Filed: **Mar. 17, 1999**

The ornamental design for a television set stand, as shown and described.

[30] Foreign Application Priority Data

DESCRIPTION

Sep. 28, 1998 [JP] Japan 10-27742

[51] **LOC (7) Cl.** **06-06**

[52] **U.S. Cl.** **D6/466**

[58] **Field of Search** D6/329, 397, 491,
D6/492, 495, 499, 552, 396, 407, 449;
D20/40, 41; 248/121, 158, 159, 161, 188.1-188.9,
188.91; D14/133, 217, 224, 229, 299

FIG. 1 is a perspective view of the top, front and right side of a television set stand showing my new design;

FIG. 2 is a front view thereof;

FIG. 3 is a top plan view thereof;

FIG. 4 is a left side view thereof;

FIG. 5 is a right side view thereof;

FIG. 6 is a rear view thereof;

FIG. 7 is a bottom view thereof; and,

FIG. 8 is a perspective view thereof in position of use, it being understood that the broken line showing of the television is for illustrative purposes only and forms no part of the claimed design.

[56] References Cited

U.S. PATENT DOCUMENTS

D. 343,747 2/1994 Burdick et al. D6/495
D. 376,282 12/1996 Sandy D6/495
D. 379,411 5/1997 Funk D6/495
D. 380,632 7/1997 Schacht D6/495

1 Claim, 4 Drawing Sheets

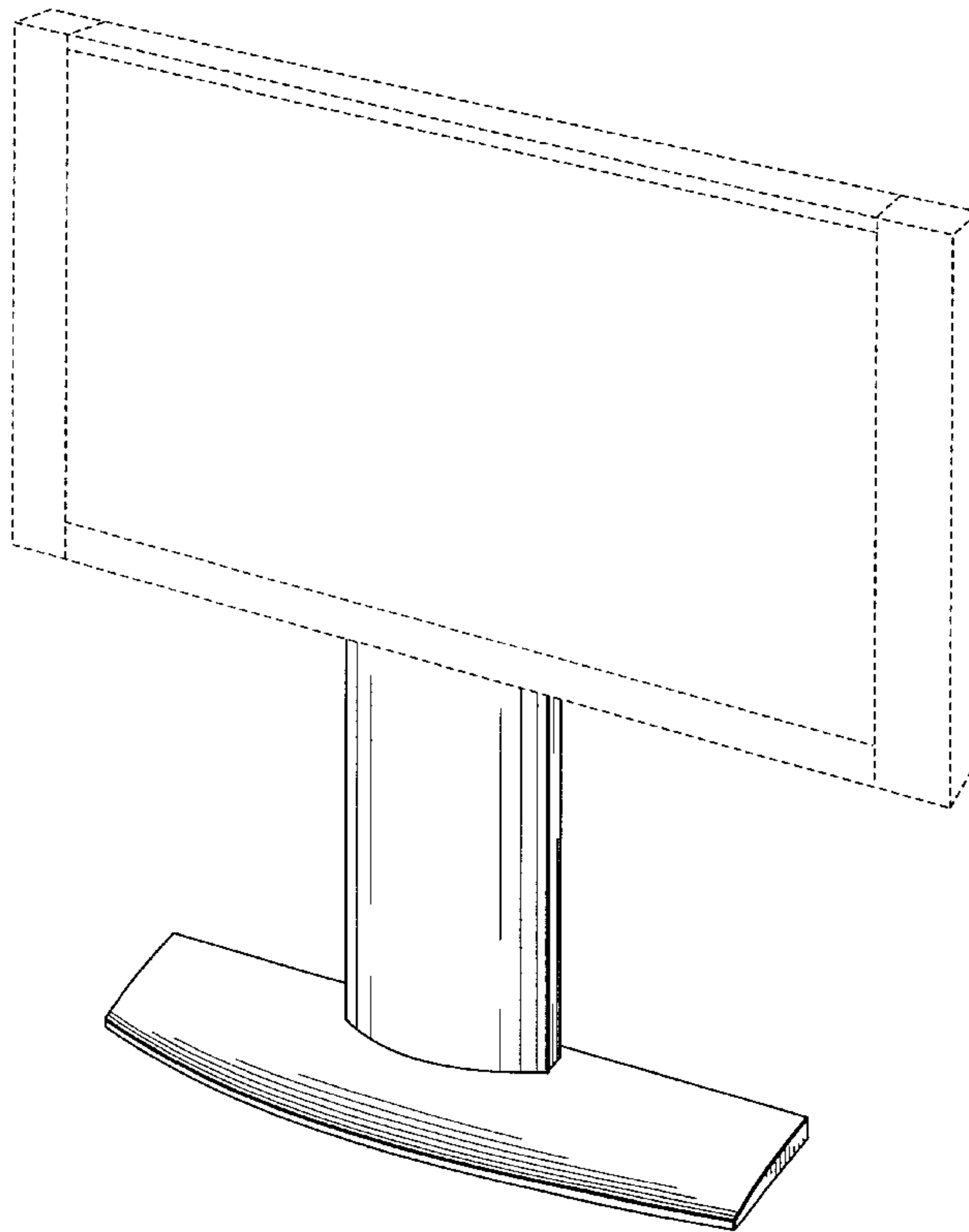
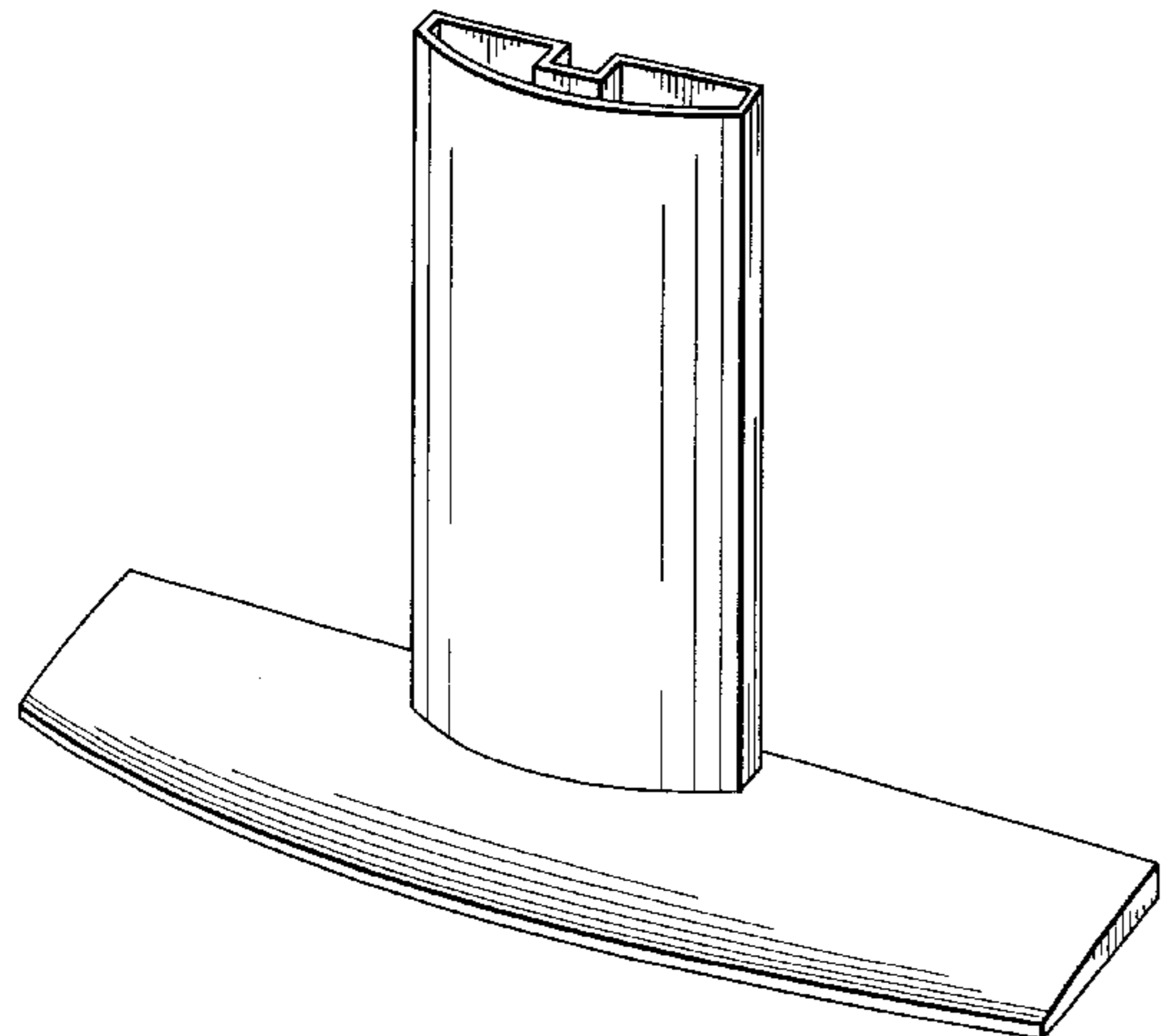


FIG. 1

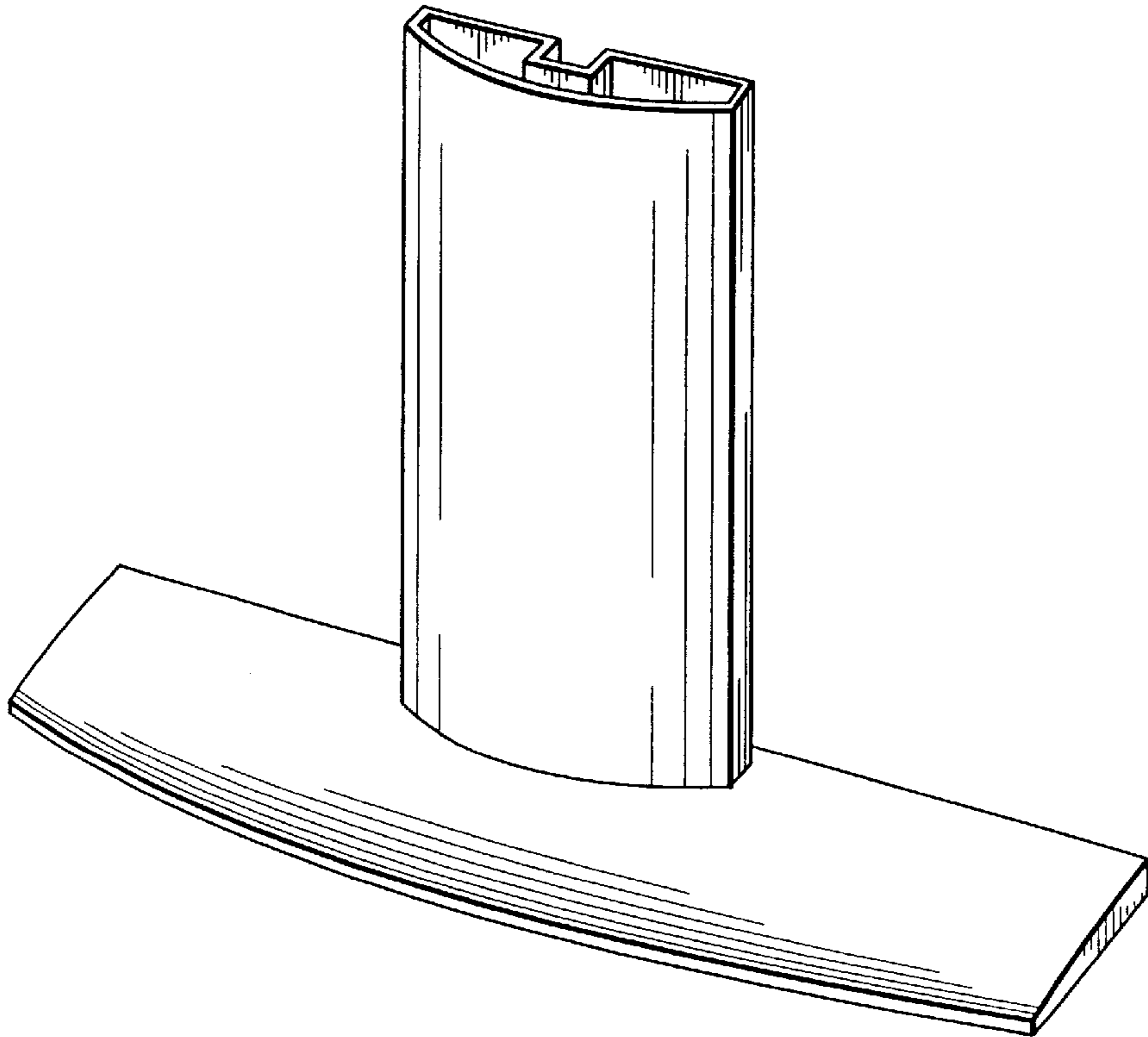


FIG. 2

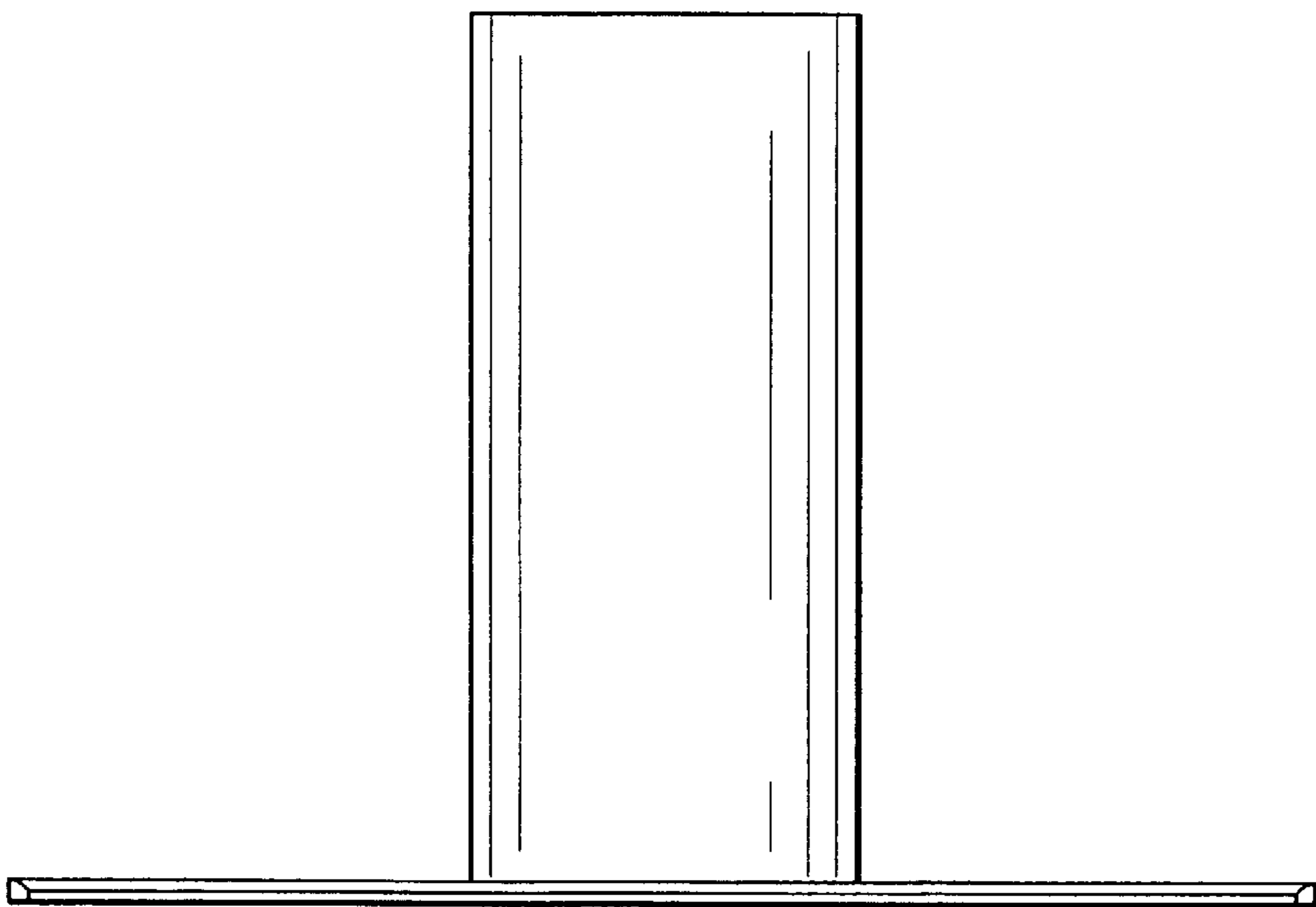


FIG. 3

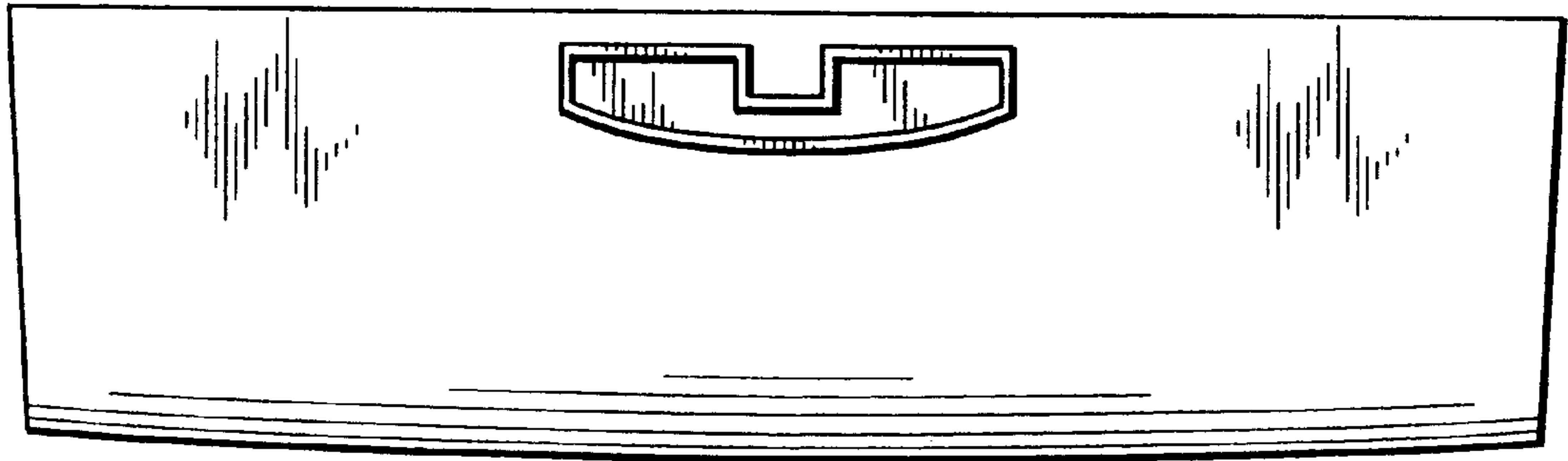


FIG. 4

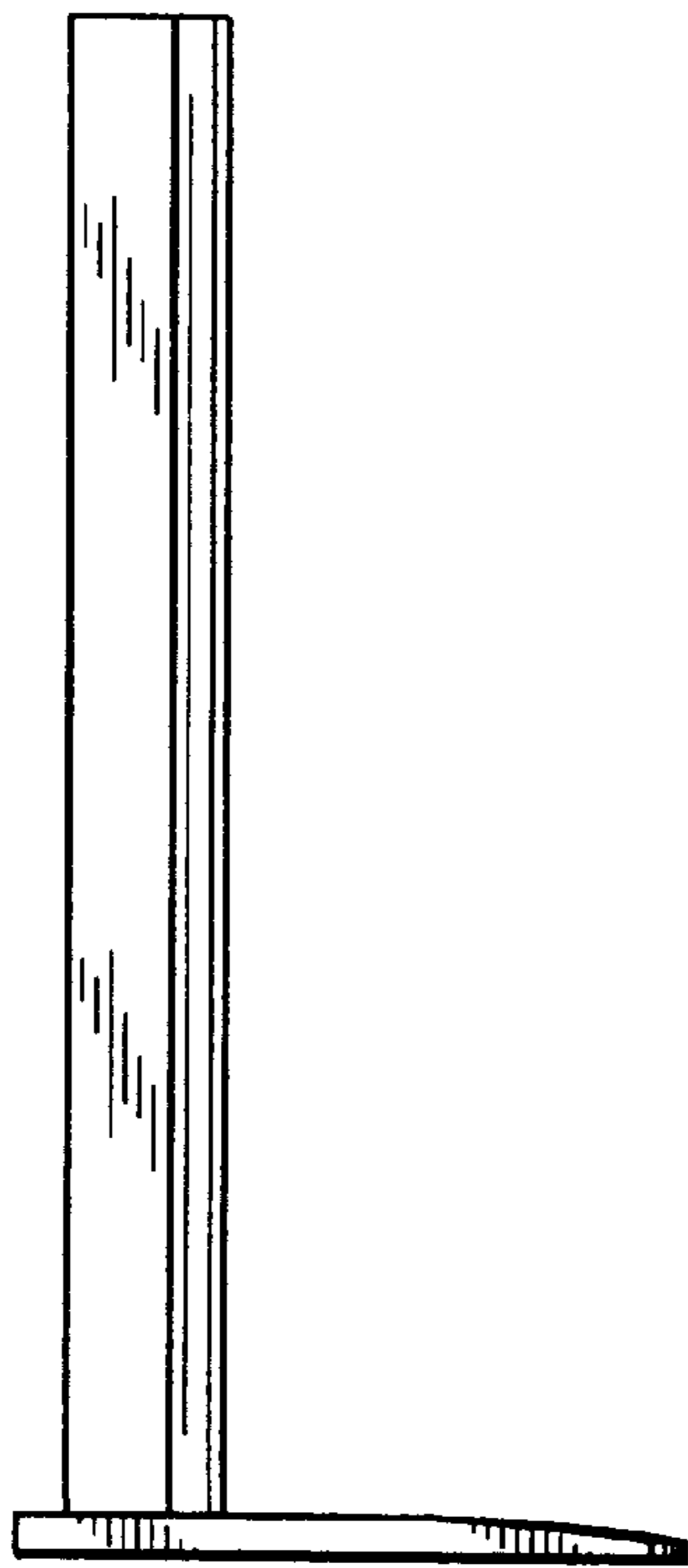


FIG. 5

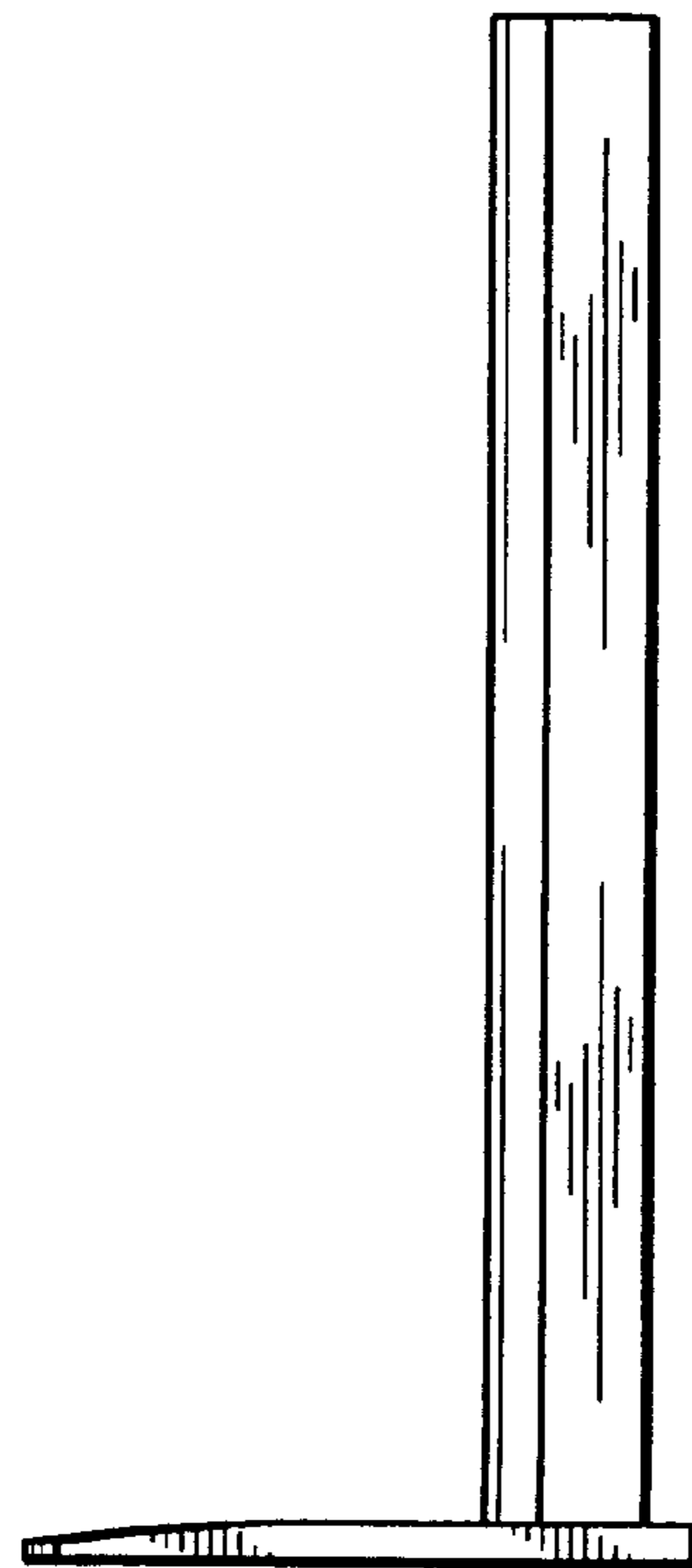


FIG. 6

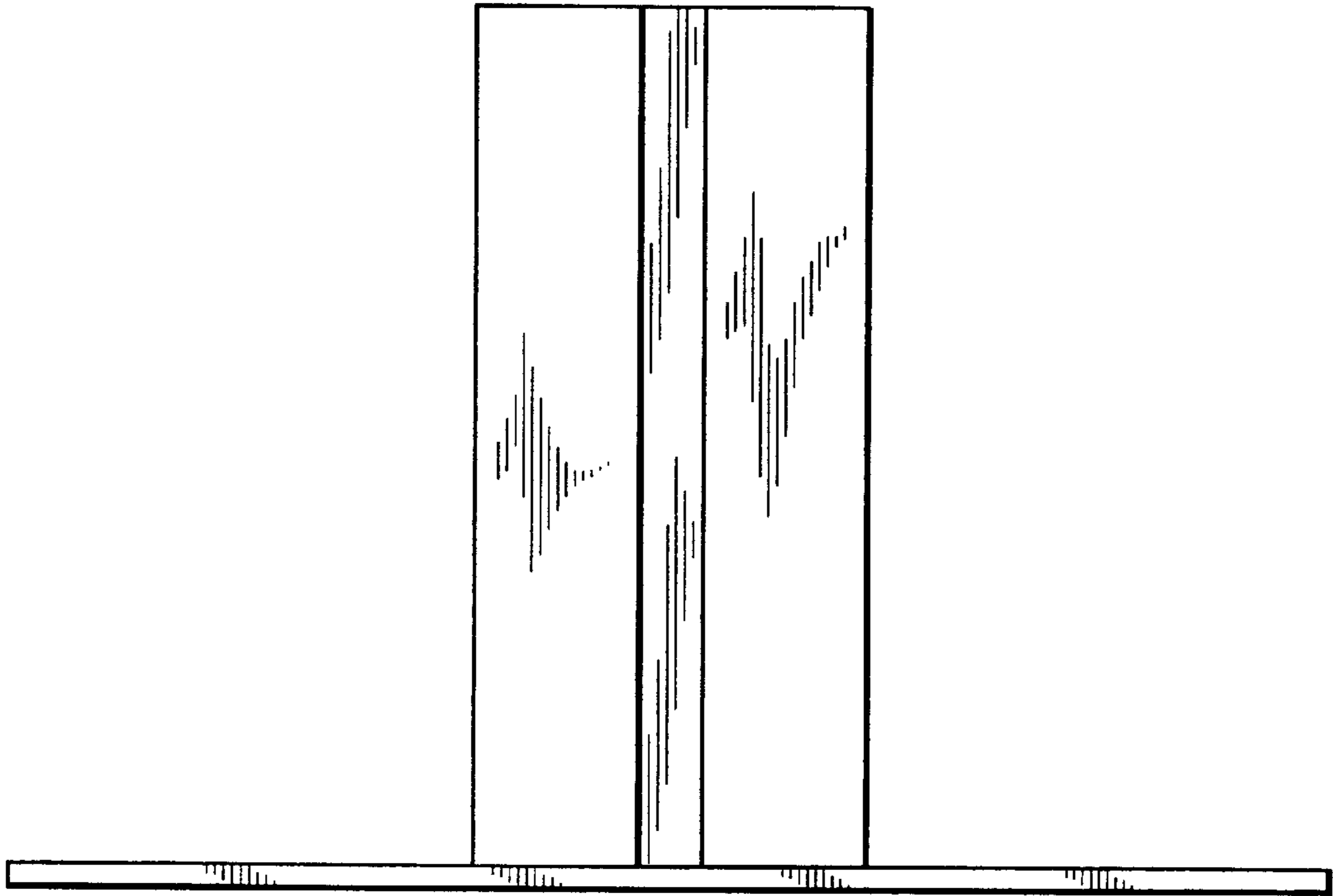


FIG. 7



FIG. 8

