



US00D423821S

United States Patent [19] Crump

[11] Patent Number: Des. 423,821

[45] Date of Patent: ** May 2, 2000

[54] REMOTE CONTROL STAND

[76] Inventor: **Phil C Crump**, 956 Lincoln Ave., #10,
Holland, Mich. 49423

[**] Term: **14 Years**

[21] Appl. No.: **29/098,878**

[22] Filed: **Jan. 7, 1999**

[51] LOC (7) Cl. **06-06**

[52] U.S. Cl. **D6/466; D14/299**

[58] Field of Search D6/329, 397, 429,
D6/457, 462, 466, 486, 491, 495-496, 499,
512; D20/40-41; D34/4; 221/26.1; 248/121,
125.1, 125.7, 161, 176.1, 371, 411.1; D14/217-218,
224, 229, 299; D13/168; 211/13.1, 26.1,
60.1

[56] **References Cited**

U.S. PATENT DOCUMENTS

D. 317,539	6/1991	Goldsmith	D6/495
D. 322,901	1/1992	Lowe	D6/457
D. 326,195	5/1992	Lowe	D6/466
D. 363,619	10/1995	Karnaze	D6/449
D. 400,735	11/1998	House et al.	D14/224

D. 409,018	5/1999	Deuschle	D14/217
4,278,223	7/1981	Fauteux	248/121
5,632,458	5/1997	Tollerud	248/125.1

Primary Examiner—Doris V. Coles

Assistant Examiner—Mimosa De

[57] **CLAIM**

The ornamental design for a remote control stand, as shown and described.

DESCRIPTION

FIG. 1 is a front elevational view of the remote control stand of the present invention;
 FIG. 2 is a rear elevational view of the remote control stand of FIG. 1;
 FIG. 3 is a left side elevational view of the remote control stand of FIG. 1;
 FIG. 4 is a right side elevational view of the remote control stand of FIG. 1;
 FIG. 5 is a top plan view of the remote control stand of FIG. 1; and,
 FIG. 6 is a bottom plan view of the remote control stand of FIG. 1.

1 Claim, 3 Drawing Sheets

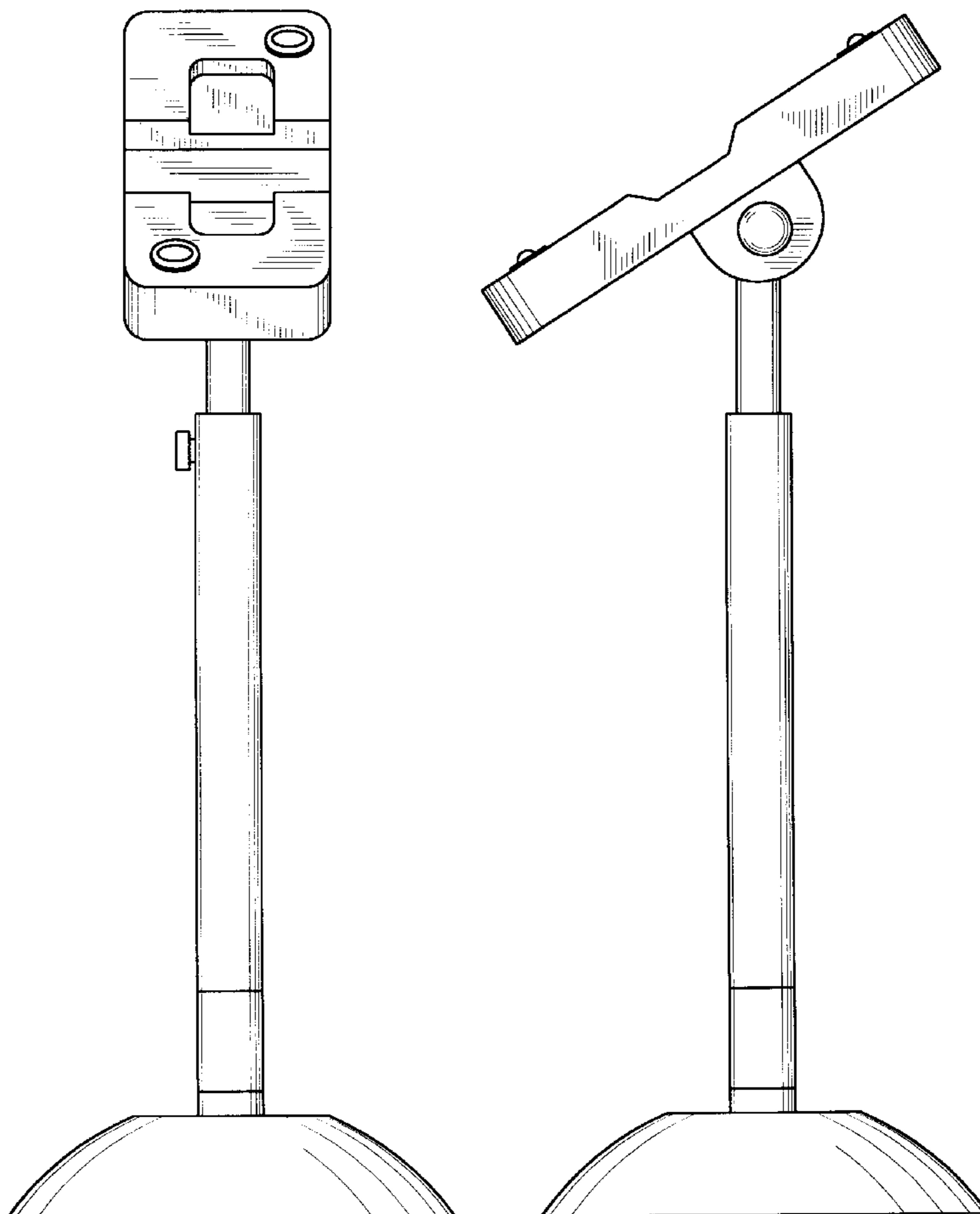


FIG. 1

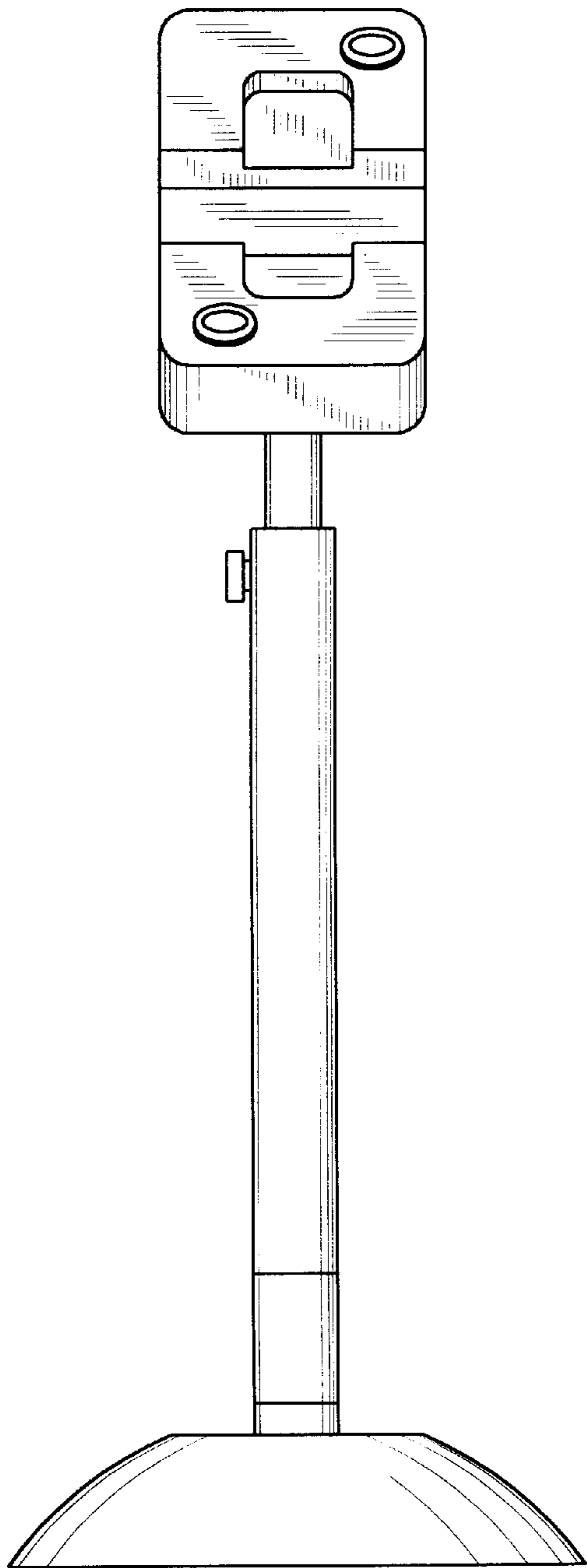


FIG. 2

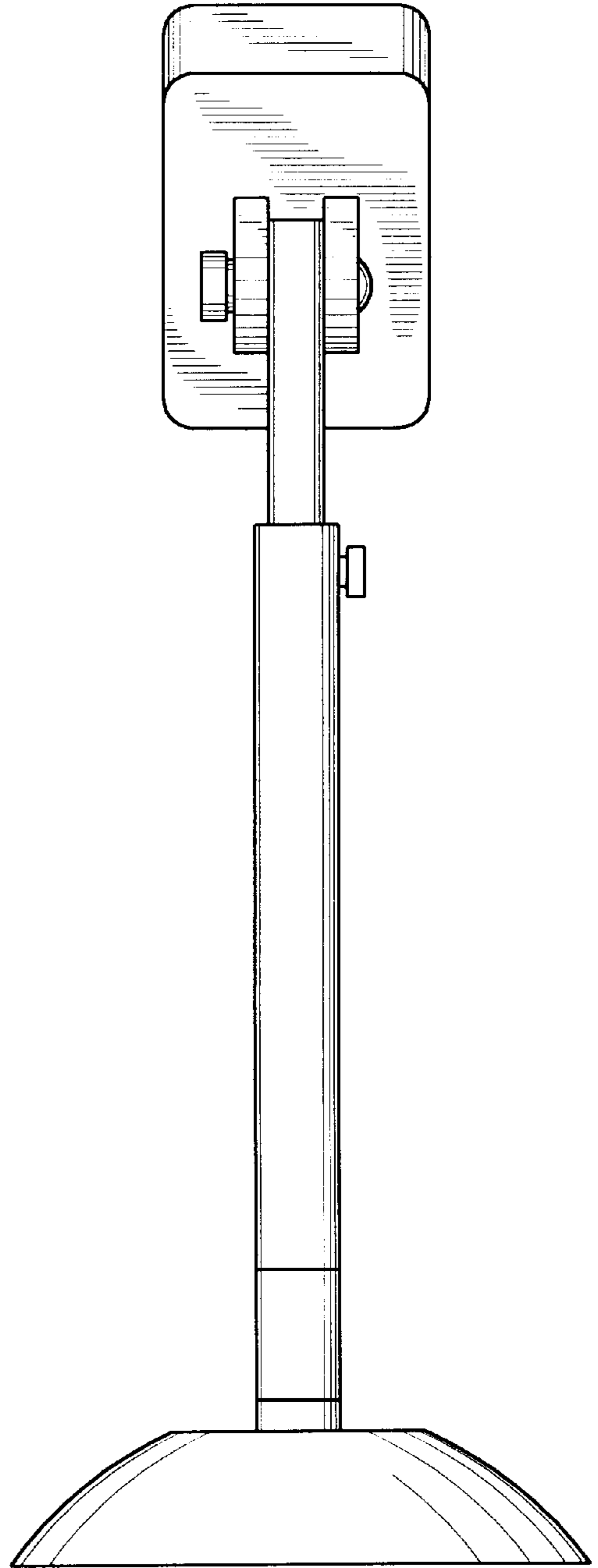


FIG. 3

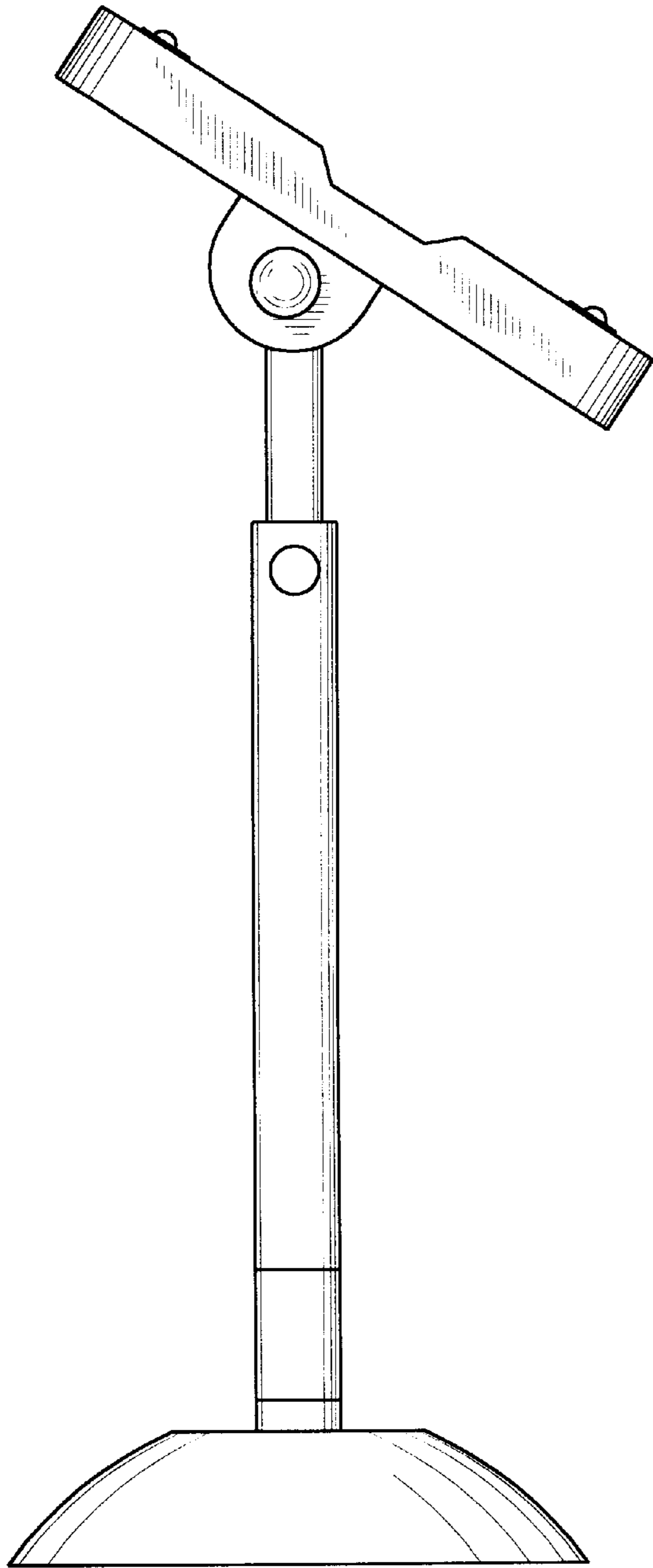
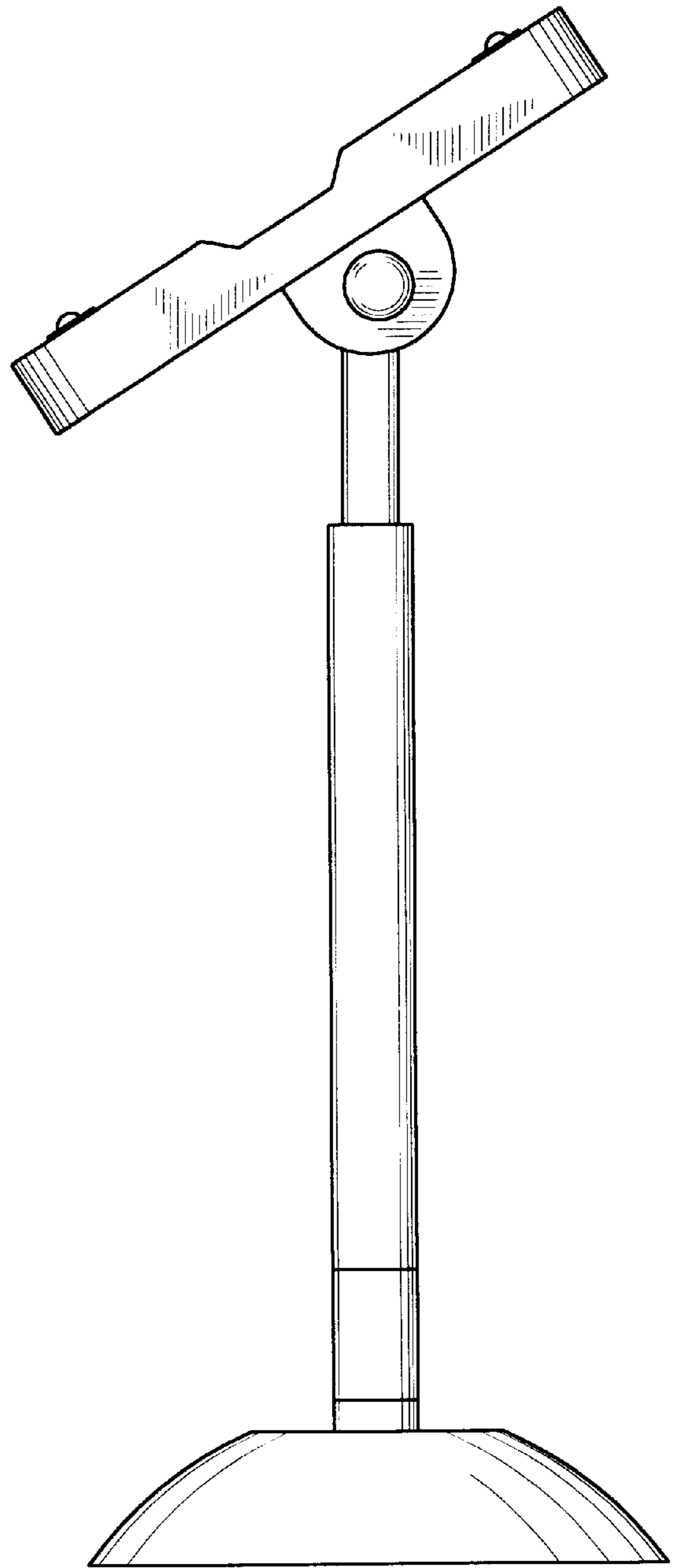


FIG. 4



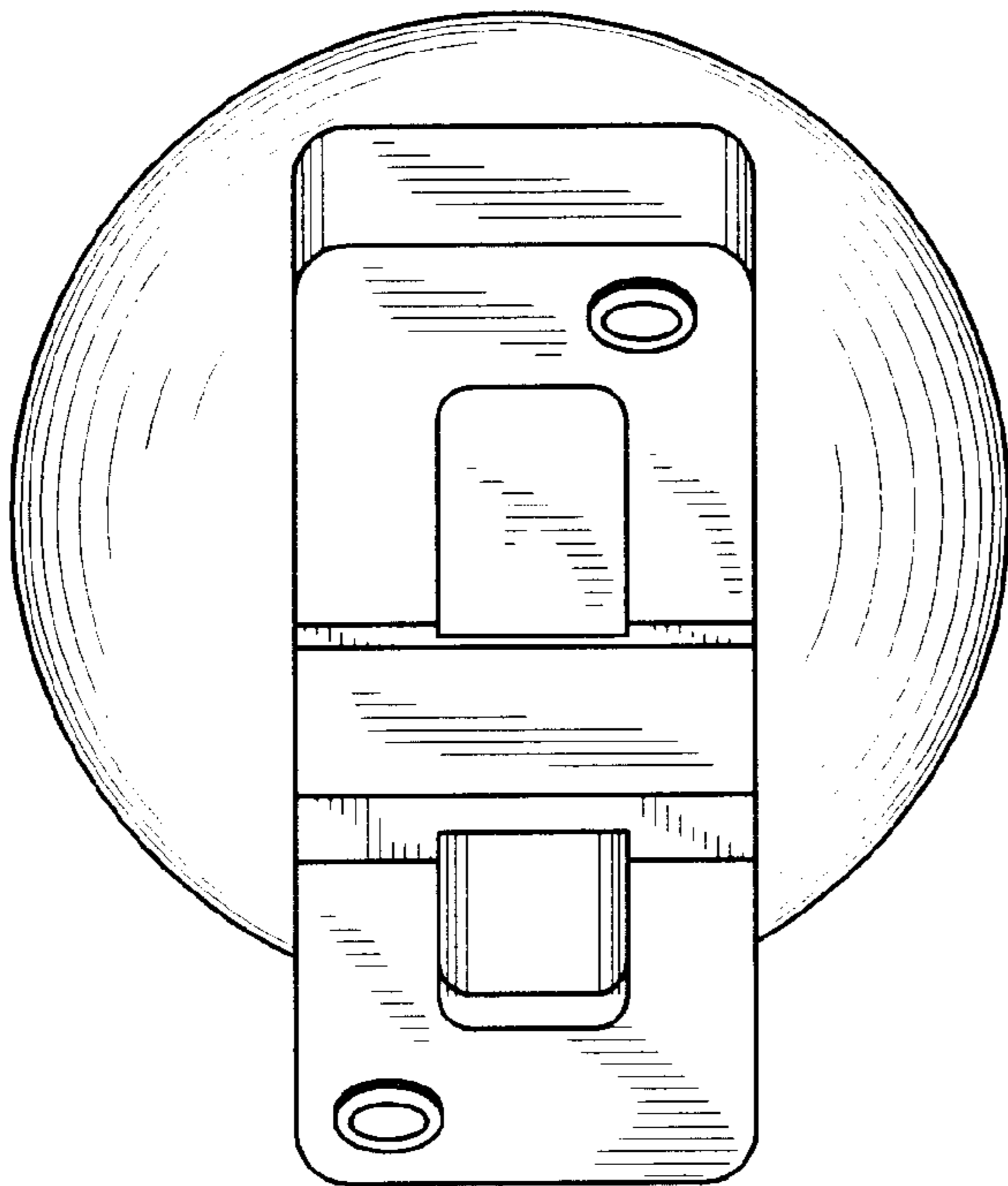


FIG. 5

FIG. 6

