



US00D423820S

# United States Patent [19]

Walters-Dowding et al.

[11] Patent Number: **Des. 423,820**

[45] Date of Patent: **\*\* May 2, 2000**

[54] **BAKER'S RACK**

[75] Inventors: **Andrea Walters-Dowding**, Dresden;  
**Lynn Lippert**, Newark, both of Ohio;  
**Durward L. Staten**, Mountain View,  
Ark.

[73] Assignee: **The Longaberger Company**, Newark,  
Ohio

[\*\*] Term: **14 Years**

[21] Appl. No.: **29/084,102**

[22] Filed: **Feb. 24, 1998**

### Related U.S. Application Data

[63] Continuation-in-part of application No. 29/075,904, Jul. 28, 1997, Pat. No. Des. 397,898, which is a continuation-in-part of application No. 29/069,526, Apr. 24, 1997, Pat. No. Des. 397,563, which is a continuation-in-part of application No. 29/068,271, Mar. 24, 1997, Pat. No. Des. 415,366.

[51] **LOC (7) Cl.** ..... **06-04**

[52] **U.S. Cl.** ..... **D6/464**

[58] **Field of Search** ..... D6/403-405, 450,  
D6/462-465; 211/85.4, 85.23, 181.1; 248/153,  
27.8; 47/39, 45-47; 108/92, 149

### [56] References Cited

#### U.S. PATENT DOCUMENTS

D. 174,647 5/1955 Maslow ..... D6/464

D. 308,776 6/1990 Yau Kee ..... D6/464  
D. 319,356 8/1991 Vukelich, Sr. .... D6/405  
D. 367,375 2/1996 Vukelich, Sr. .... D6/405

### OTHER PUBLICATIONS

Apple Basket Antiques and Gifts, Summer Catalog 1996 (Cookbook Holder).

Stone County Ironworks catalog, ©1997, pp. 32-34 (Waterbury Wall Unit; Sassafras, Brentwood and Tiara Baker's Racks).

*Primary Examiner*—Doris V. Coles

*Assistant Examiner*—Linda Brooks

*Attorney, Agent, or Firm*—Porter, Wright, Morris & Arthur

### [57] CLAIM

The ornamental design for a baker's rack, as shown and described.

### DESCRIPTION

FIG. 1 is a front perspective view of the baker's rack showing our new design;

FIG. 2 is a top plan view thereof;

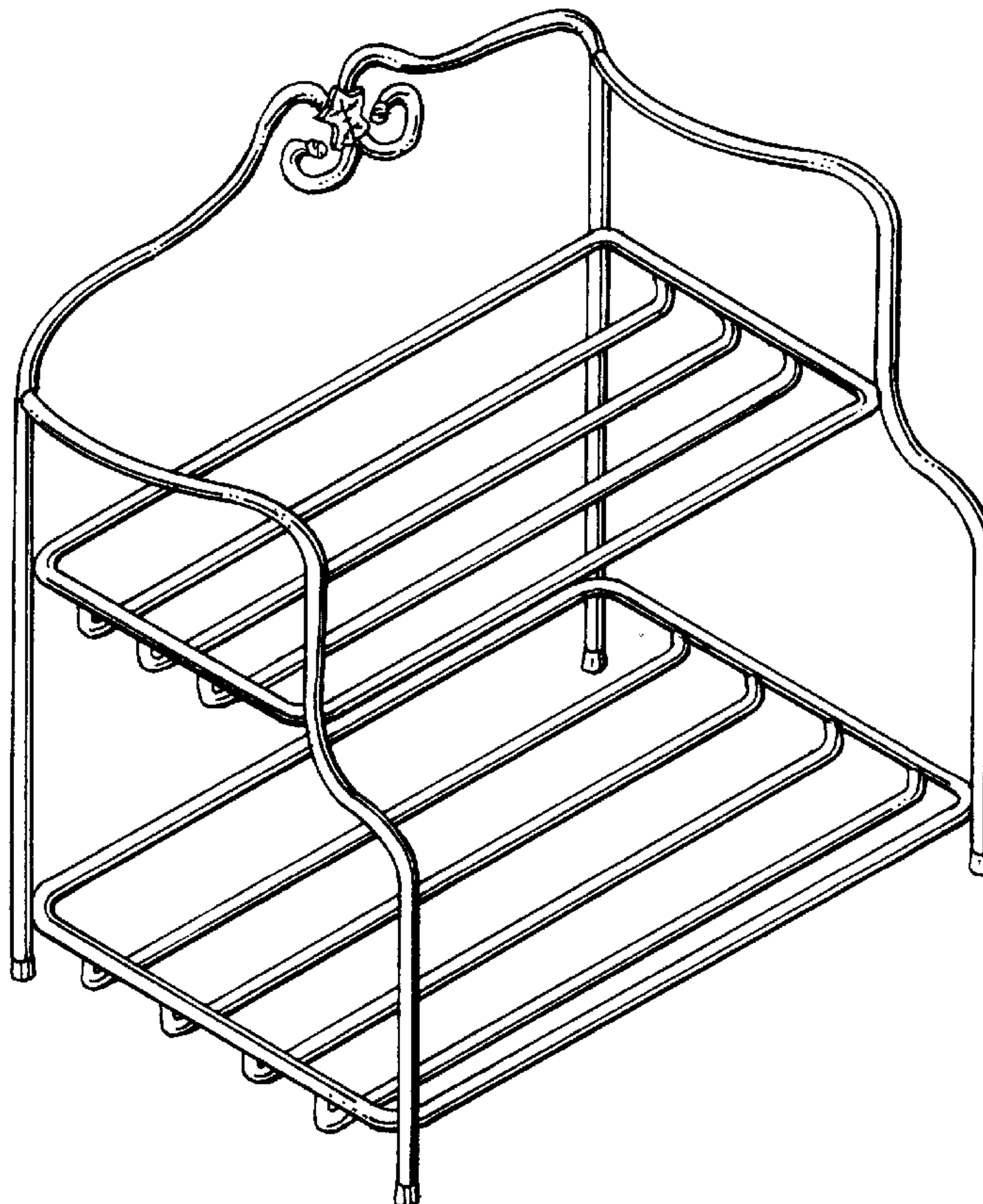
FIG. 3 is a front elevation view thereof;

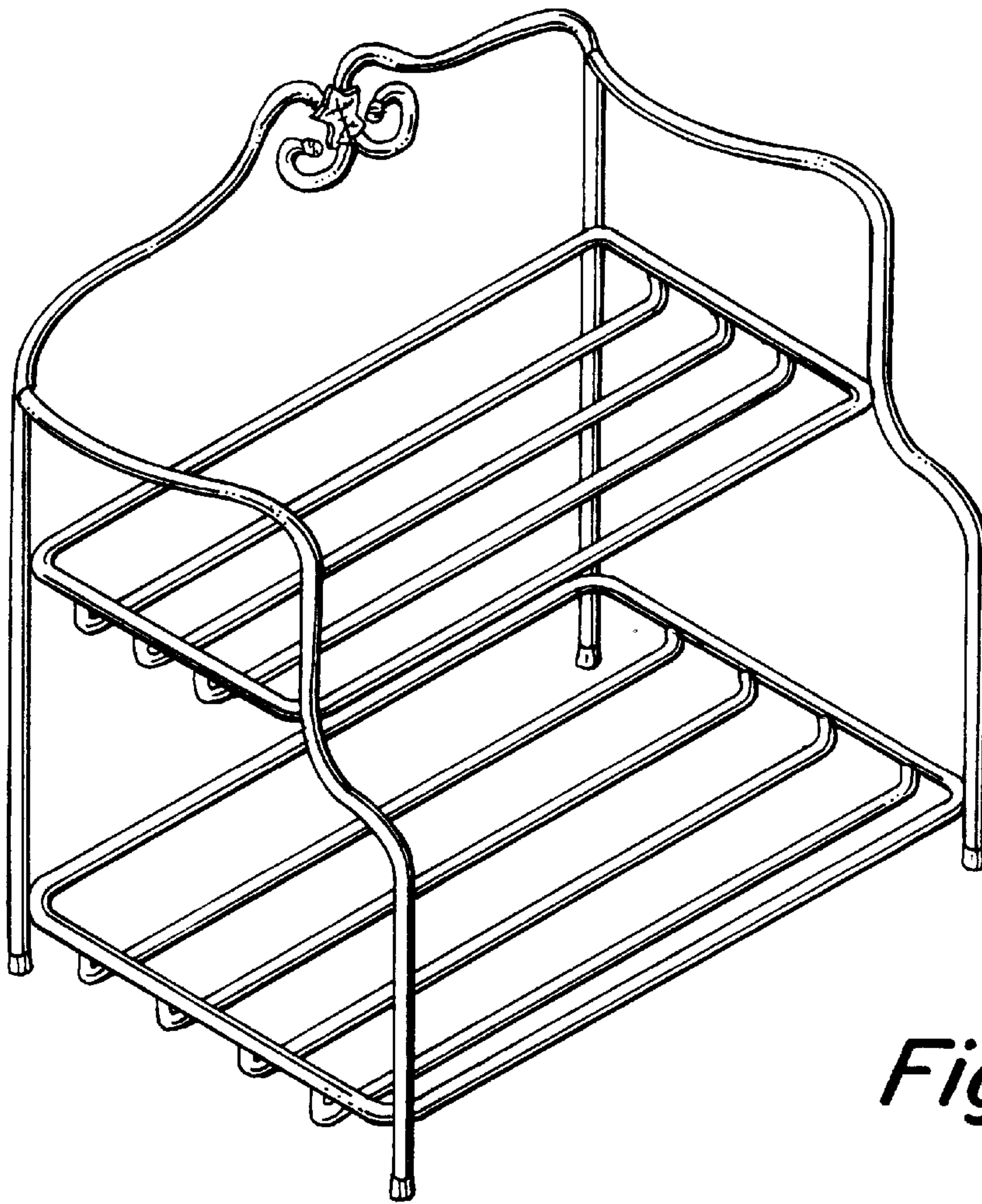
FIG. 4 is a side view thereof, the opposite side being a mirror image of this side; and

FIG. 5 is a rear elevation view thereof; and,

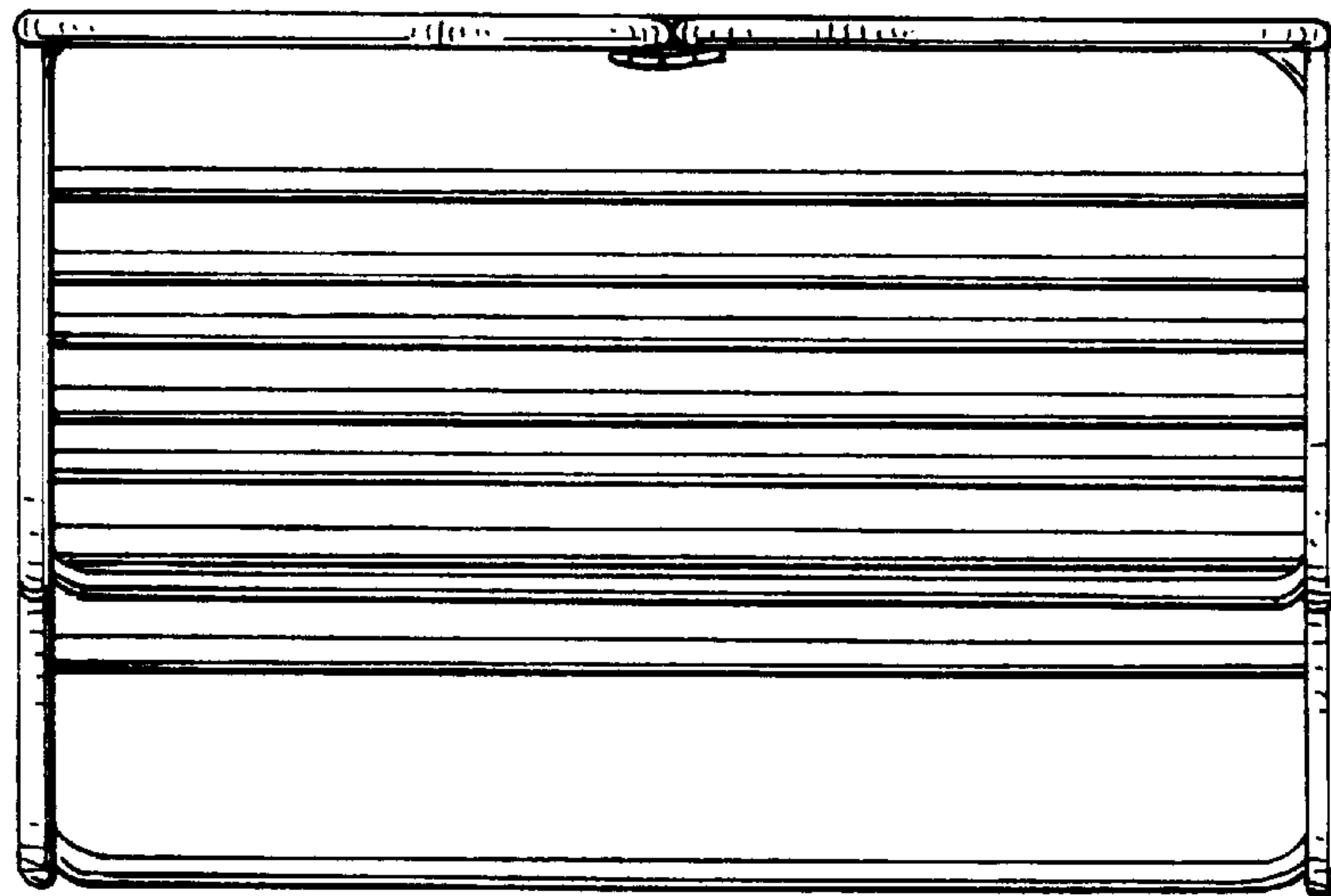
FIG. 6 is a bottom plan view thereof.

**1 Claim, 3 Drawing Sheets**

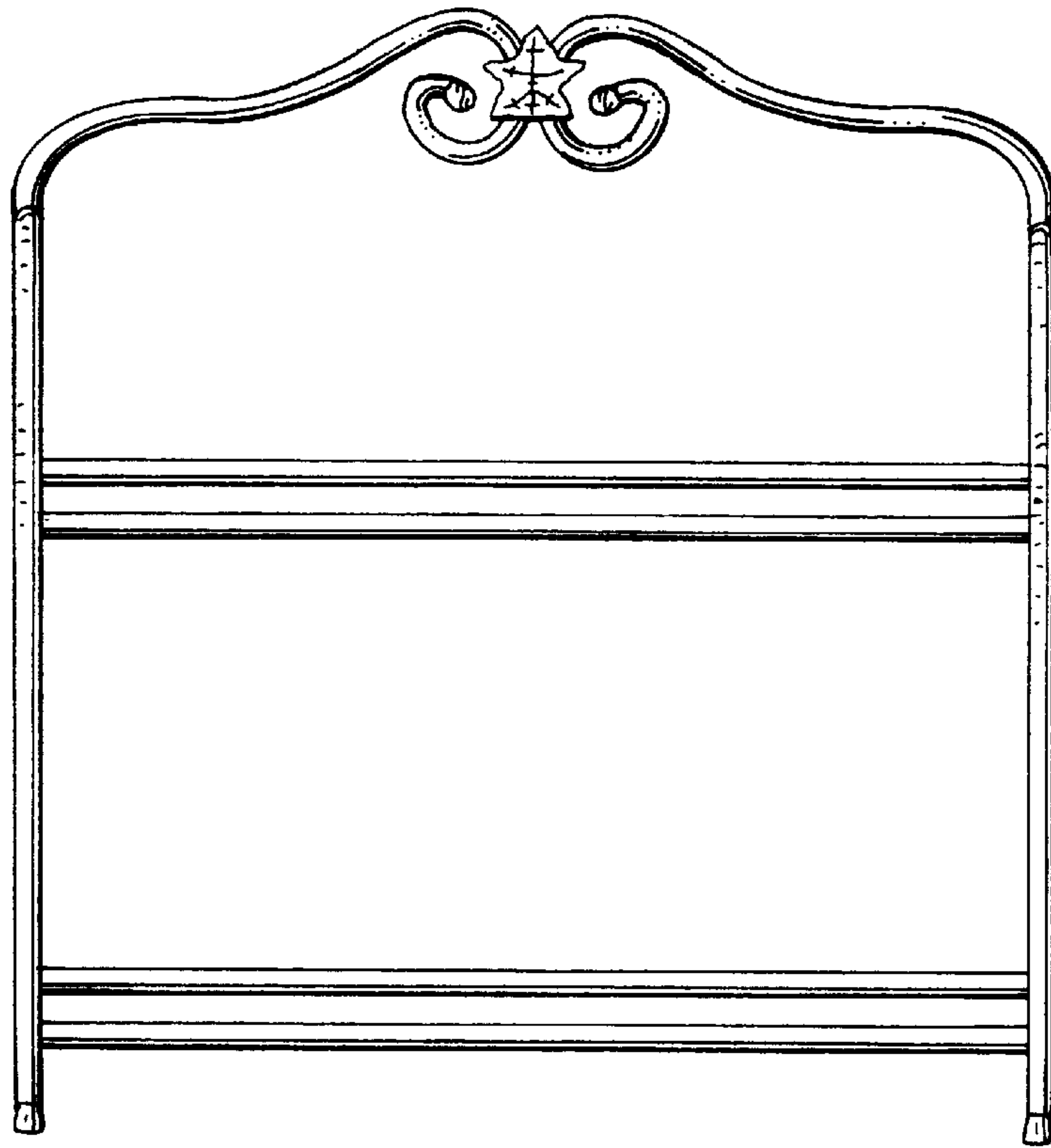




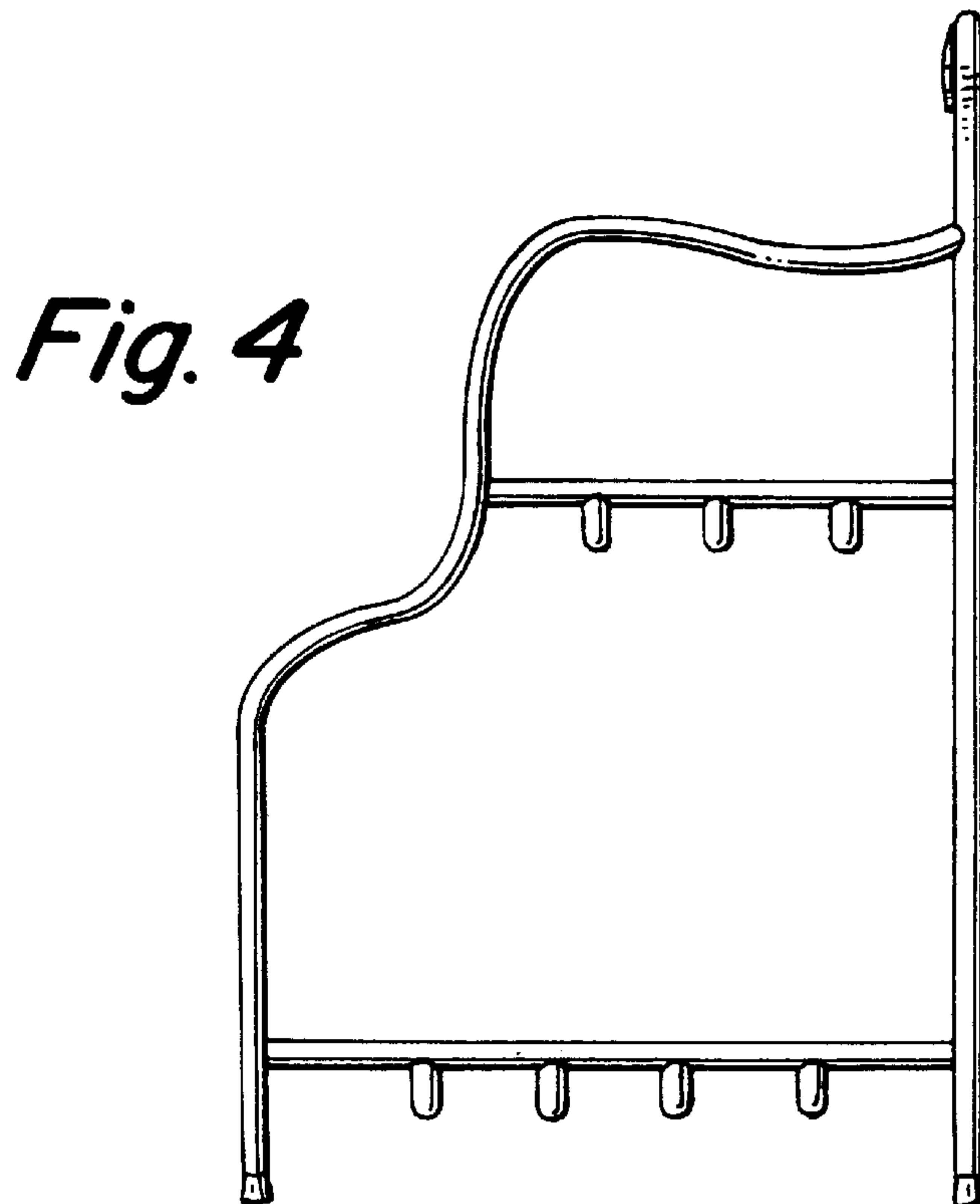
*Fig. 1*



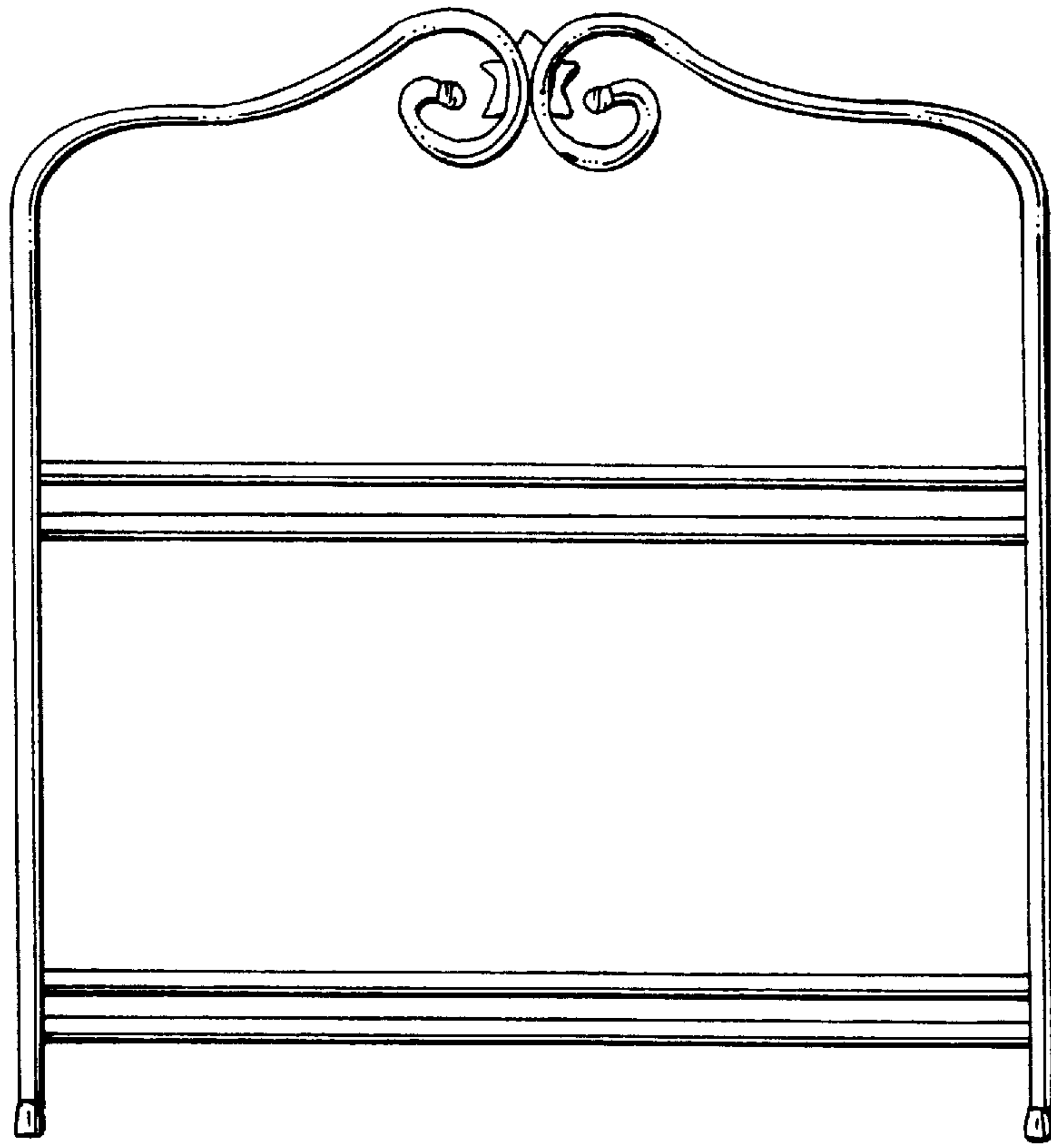
*Fig. 2*



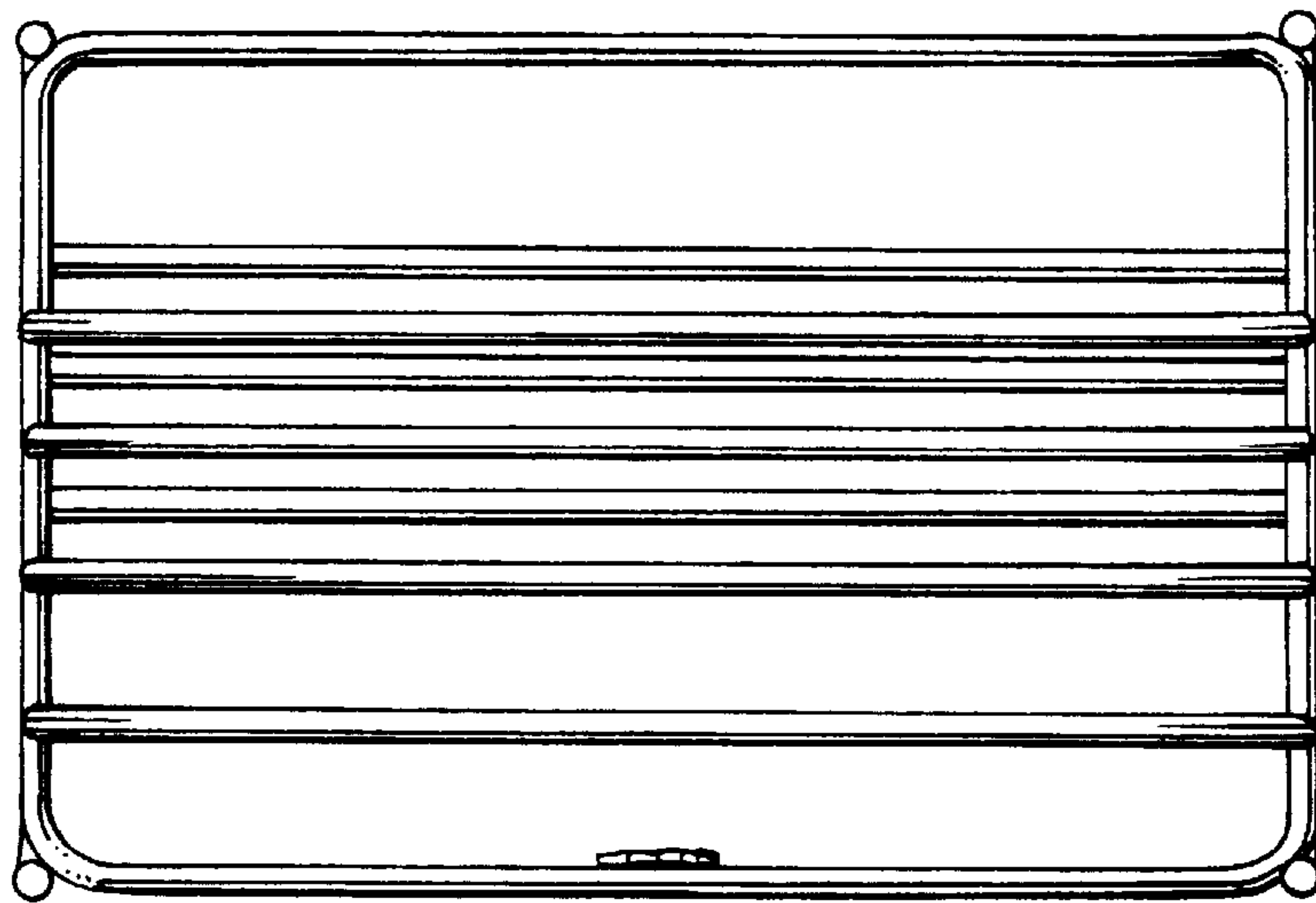
*Fig. 3*



*Fig. 4*



*Fig. 5*



*Fig. 6*