



US00D423811S

United States Patent [19] Smith

[11] **Patent Number: Des. 423,811**
[45] **Date of Patent: ** May 2, 2000**

[54] **DRAWER AND RACK FOR CASSETTE CABINET**

[75] Inventor: **Richard Smith**, Torrance, Calif.

[73] Assignee: **A.L.S. Industries, Inc.**, Torrance, Calif.

[**] Term: **14 Years**

[21] Appl. No.: **29/103,451**

[22] Filed: **Apr. 13, 1999**

- D. 338,573 8/1993 Mattikow .
- D. 338,786 8/1993 Mattikow .
- D. 341,268 11/1993 Osborne .
- D. 354,413 1/1995 Sedon et al. .
- D. 354,877 1/1995 Davis et al. .
- D. 356,921 4/1995 Wolff .
- D. 357,843 5/1995 Real et al. .
- D. 358,524 5/1995 Sedon et al. .
- D. 358,526 5/1995 Sedon et al. .
- D. 364,989 12/1995 Lin .
- 3,604,556 9/1971 Schwartz .
- 3,613,871 10/1971 Evans .

(List continued on next page.)

Related U.S. Application Data

[62] Division of application No. 29/085,996, Apr. 2, 1998, Pat. No. Des. 415,367.

[51] **LOC (7) Cl.** **06-07**

[52] **U.S. Cl.** **D6/407**

[58] **Field of Search** D6/407, 627-632, D6/466-468, 475, 476; 211/40, 41.12; 206/307, 307.1, 308.1, 387.1, 387.15; 312/9.1, 9.41, 9.47-9.56, 330.1

OTHER PUBLICATIONS

Supreme-Royce Enterprise Co., Ltd., "[ad re FL-CD32W]," Visual Musical Software A/V CD LD Catalog, p. 21, (1994).
BMG Music Service, "[ad re CD flip file at center left]," (Feb., 1996).

Atlantic, Inc., "[ad re item 1250]," (Oct., 1993).

Primary Examiner—Doris V. Coles
Assistant Examiner—Linda Brooks
Attorney, Agent, or Firm—Marshall A. Lerner, Esq; Bradford E. Mattes, Esq; Kleinberg & Lerner, LLP

[56] References Cited

U.S. PATENT DOCUMENTS

- D. 252,423 7/1979 Bokor .
- D. 252,424 7/1979 Bokor .
- D. 287,907 1/1987 Yu .
- D. 298,287 11/1988 Stravitz .
- D. 306,935 4/1990 Kirchner et al. .
- D. 307,680 5/1990 Ashkenazi .
- D. 317,079 5/1991 Schmidt et al. .
- D. 318,369 7/1991 Gilman .
- D. 320,514 10/1991 Smith .
- D. 321,279 11/1991 Mark .
- D. 321,802 11/1991 Smith .
- D. 327,183 6/1992 Meyer .
- D. 332,187 1/1993 Stravitz .
- D. 332,708 1/1993 Schmidt et al. .
- D. 337,451 7/1993 Mattikow .
- D. 338,572 8/1993 Mattikow .

[57] CLAIM

The ornamental design for a drawer and rack for cassette cabinet, as shown and described.

DESCRIPTION

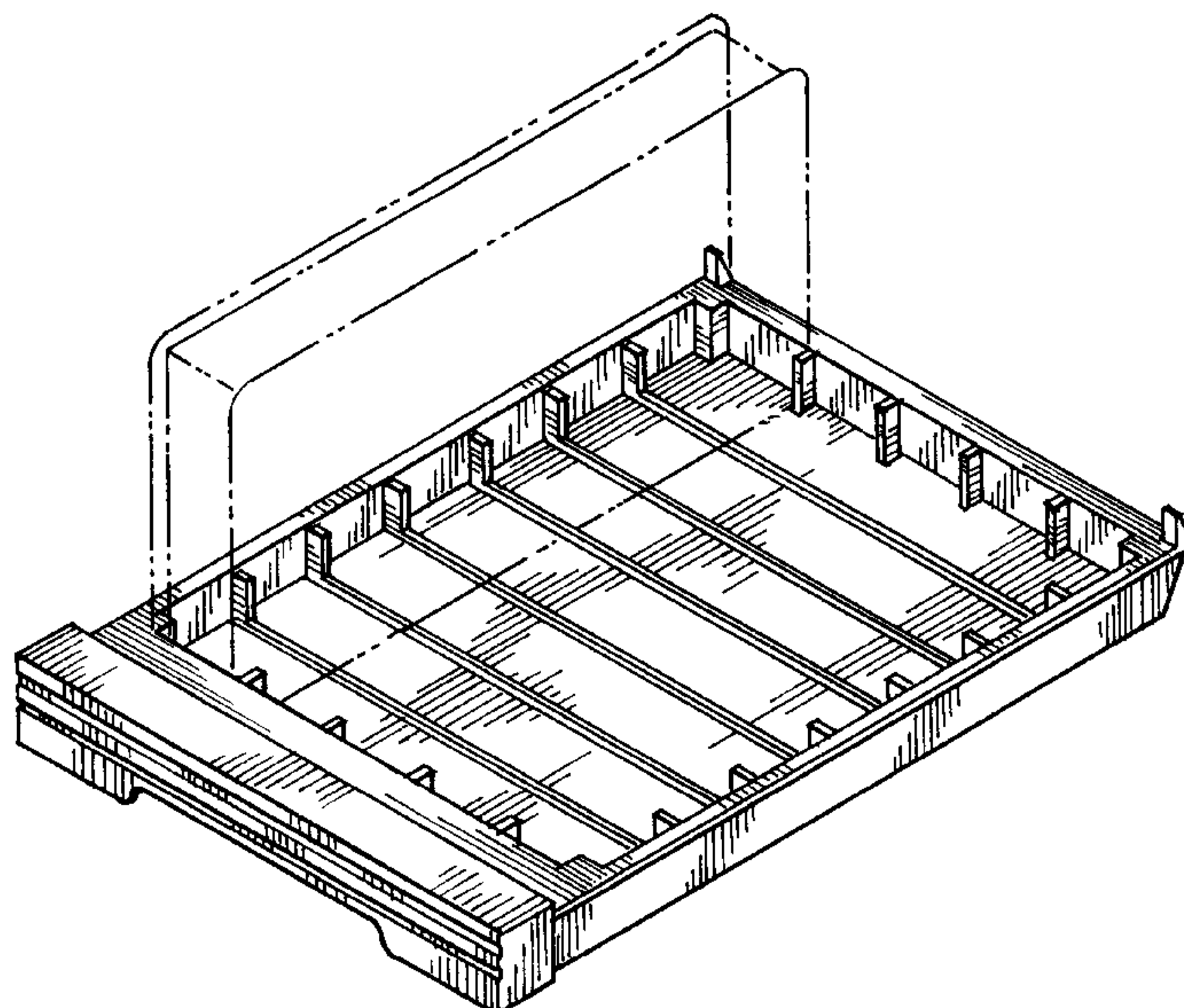
FIG. 1 is a perspective view showing the front, top, and right side of my design, the front, top, and left side perspective view being a mirror image;

FIG. 2 is a perspective view showing the front, bottom and left side thereof; and,

FIG. 3 is a perspective view showing the rear, bottom, and right side thereof.

The broken line feature is for illustrative purposes only and forms no part of the claimed design.

1 Claim, 2 Drawing Sheets



Des. 423,811

Page 2

U.S. PATENT DOCUMENTS

3,627,113	12/1971	Di Ioia .	3,763,994	10/1973	Somers .
3,640,379	2/1972	Weingarden .	3,777,881	12/1973	Schwartz .
3,642,337	2/1972	Manheim .	4,850,477	7/1989	Gelardi et al. .
3,677,396	7/1972	Staar .	4,960,205	10/1990	Wang .
3,743,081	7/1973	Roberg et al. .	5,005,708	4/1991	Posso .
3,743,374	7/1973	Glass .	5,558,235	9/1996	Hunt .
3,754,639	8/1973	Gellert .	5,597,216	1/1997	Real et al. .
3,756,383	9/1973	Kryter .	5,873,458	2/1999	Kao 206/308.1

FIG. 1

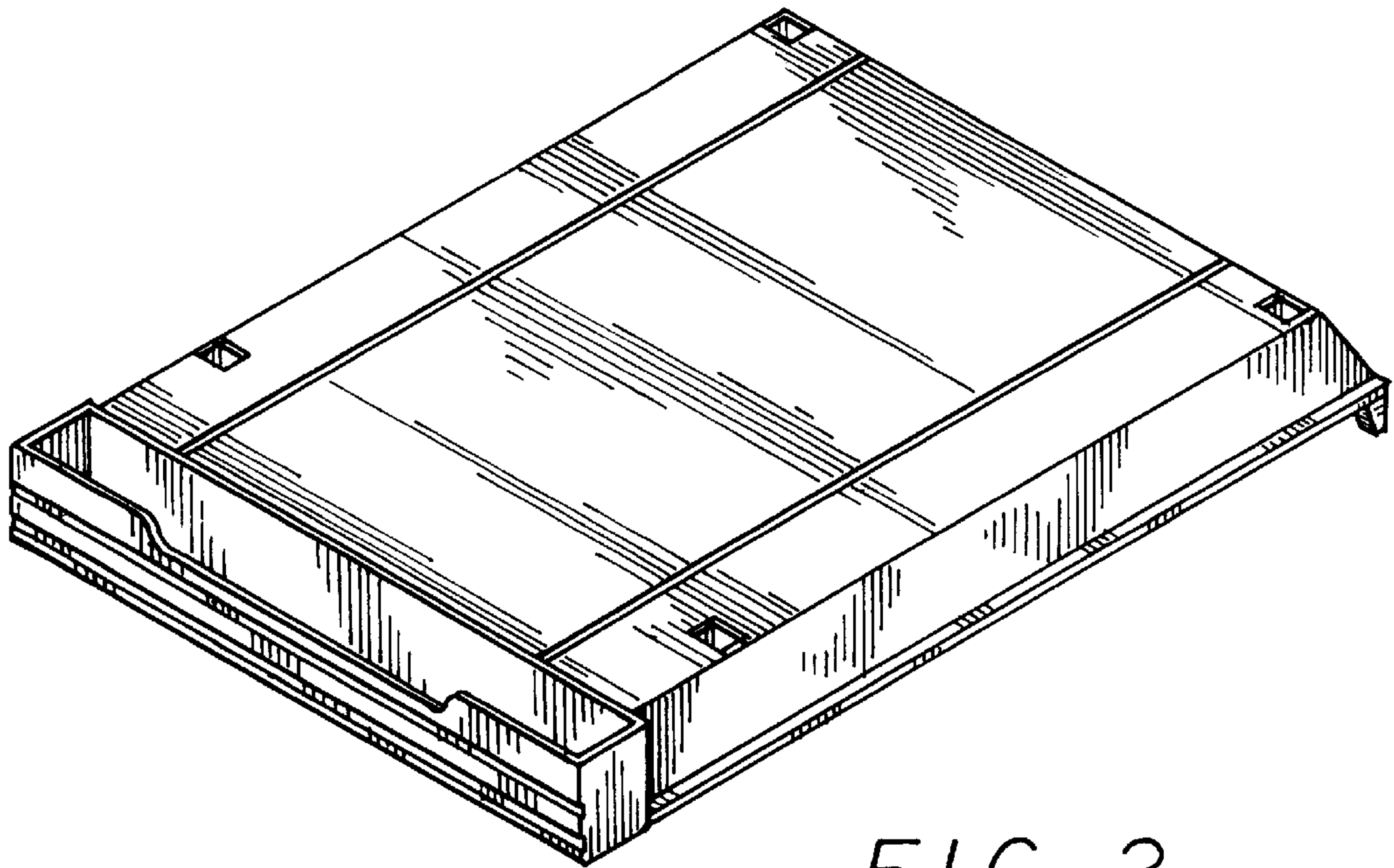
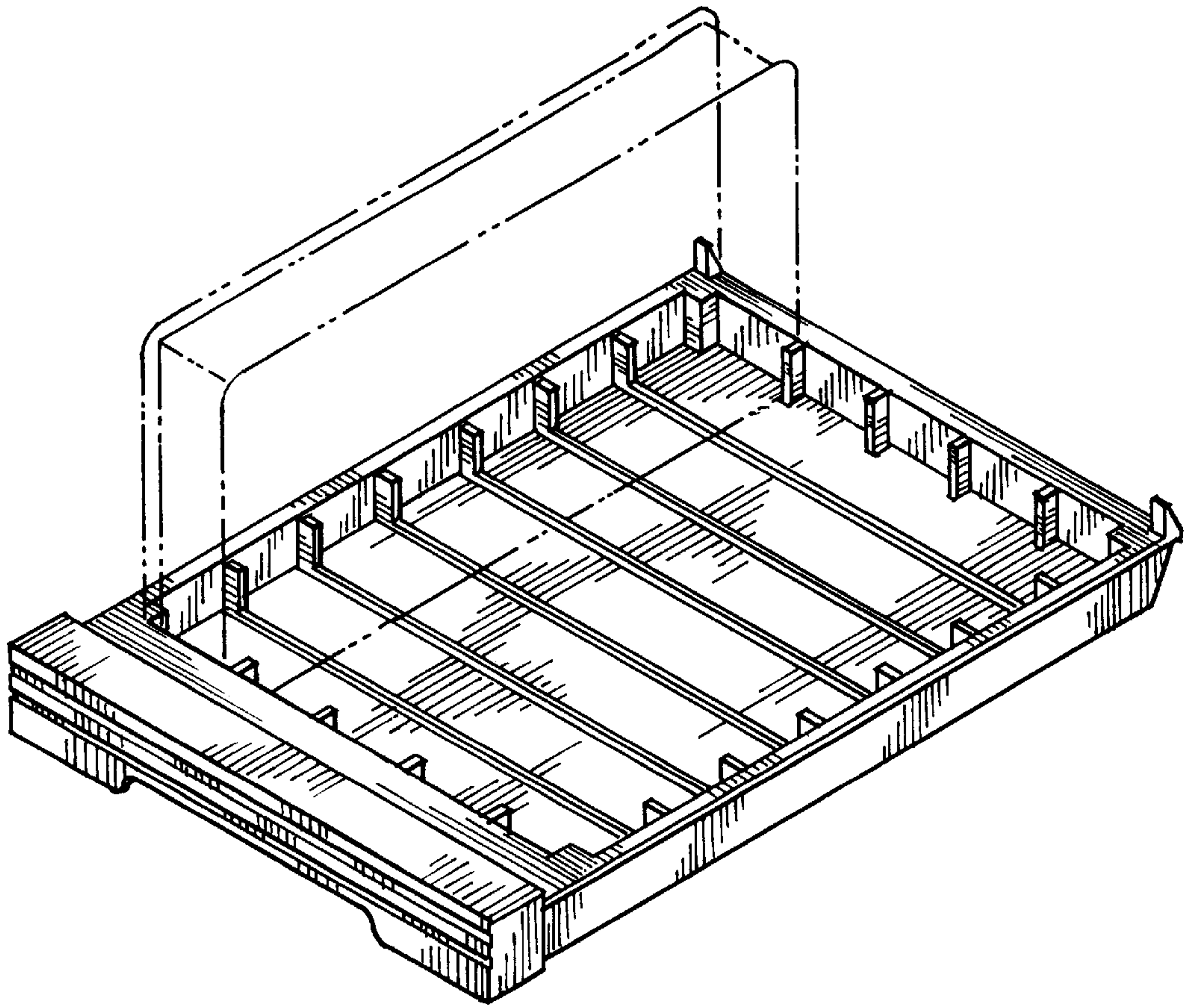


FIG. 2

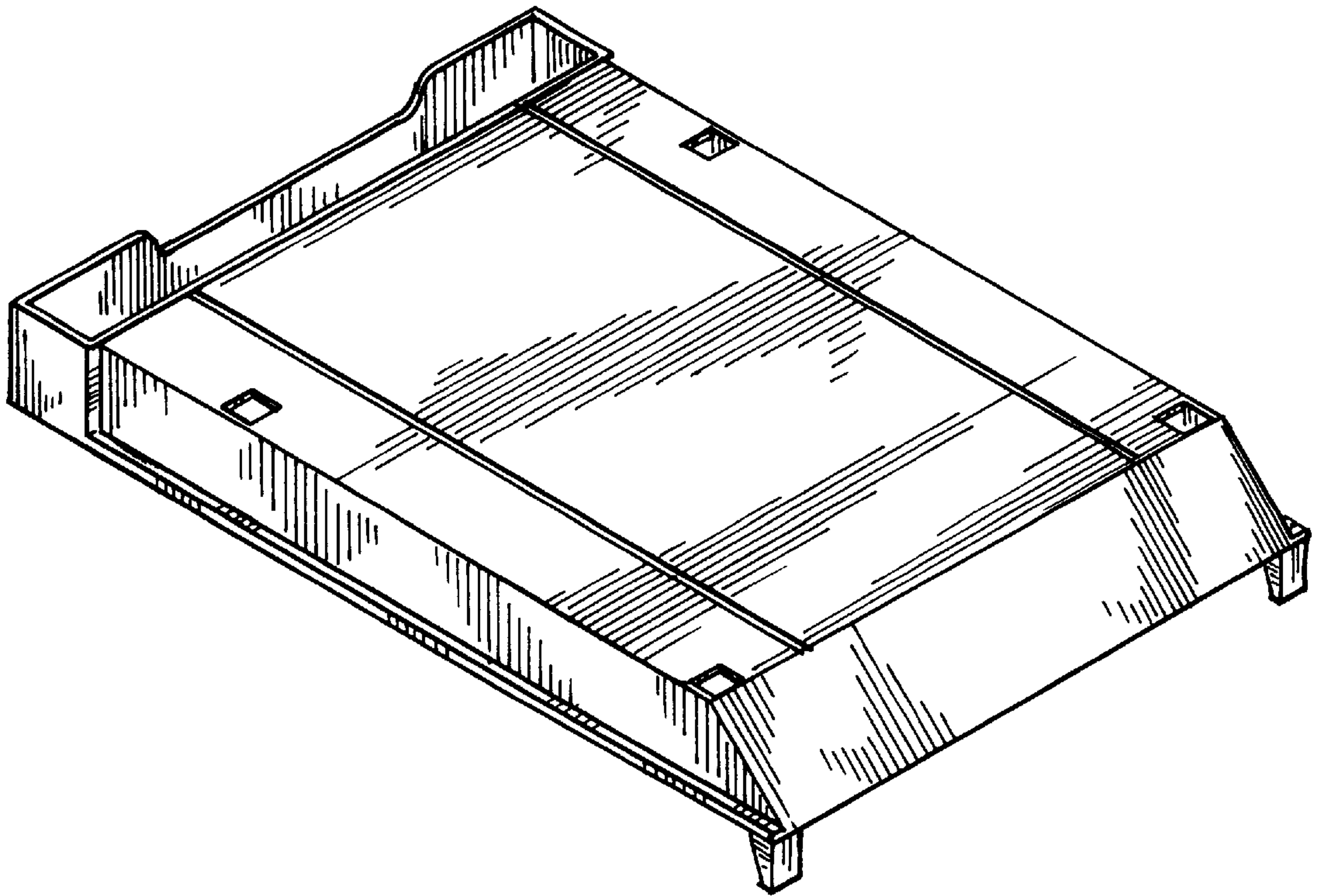


FIG. 3