



US00D423810S

# United States Patent [19]

[11] Patent Number: **Des. 423,810**

**Dorst**

[45] Date of Patent: **\*\* May 2, 2000**

[54] **FIREPLACE ENTERTAINMENT CENTER**

[76] Inventor: **Robert V. Dorst**, 3318 N. 92nd St., Milwaukee, Wis. 53222

[\*\*] Term: **14 Years**

[21] Appl. No.: **29/090,687**

[22] Filed: **Jul. 14, 1998**

[51] **LOC (7) Cl.** ..... **06-04**

[52] **U.S. Cl.** ..... **D6/397; D6/434**

[58] **Field of Search** ..... D6/432-448, 397; 312/204, 205, 237, 285, 287, 289; D23/343, 345, 349, 403, 404

1,164,024	12/1915	Smith et al. .
1,435,036	11/1922	Weis .
1,783,703	5/1930	Crowell et al. .
2,476,542	7/1949	Gauss .
2,737,649	3/1956	Pifer .
3,268,282	8/1966	Harvey .
3,360,317	12/1967	MacLennan ..... 312/204
3,446,546	5/1969	D'Adamo .
3,467,455	9/1969	Caldemeyer .
5,138,462	8/1992	Skovgaard .

### FOREIGN PATENT DOCUMENTS

3416462 4/1984 Germany .

*Primary Examiner*—Carmen H. Vales-Lado  
*Attorney, Agent, or Firm*—Ryan Kromholz & Manion, S.C.

### [56] References Cited

#### U.S. PATENT DOCUMENTS

D. 57,769	5/1921	Cooley .	
D. 80,961	2/1930	Luxa et al. .	
D. 83,361	12/1931	Stettner .	
D. 84,932	4/1931	Gubitosi .	
D. 100,988	8/1936	Colen .....	D6/397
D. 121,110	4/1940	Williams .	
D. 140,507	3/1945	Kuchta .....	D6/397
D. 156,227	2/1949	Gannuscio .	
D. 200,539	3/1965	Wilkin .	
D. 238,277	12/1975	Zaitlin .	
D. 301,735	6/1989	Meyers .	
D. 311,830	11/1990	Huffstetler .	
D. 401,346	6/1999	Kerr .....	D6/397
D. 407,577	4/1999	Dorst .....	D6/434
425,492	4/1890	Carsley .	
1,078,795	11/1913	Meinel .	

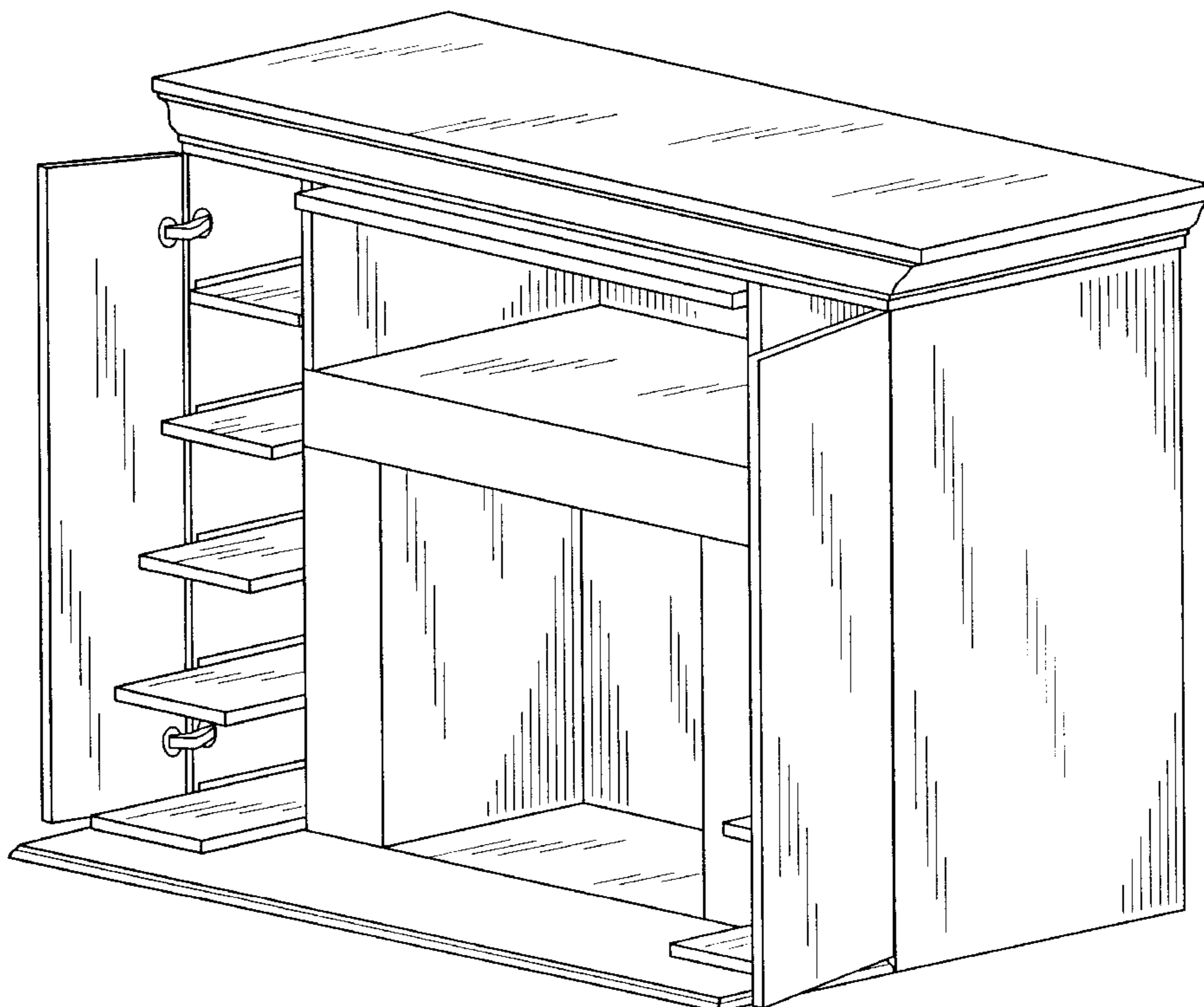
### [57] CLAIM

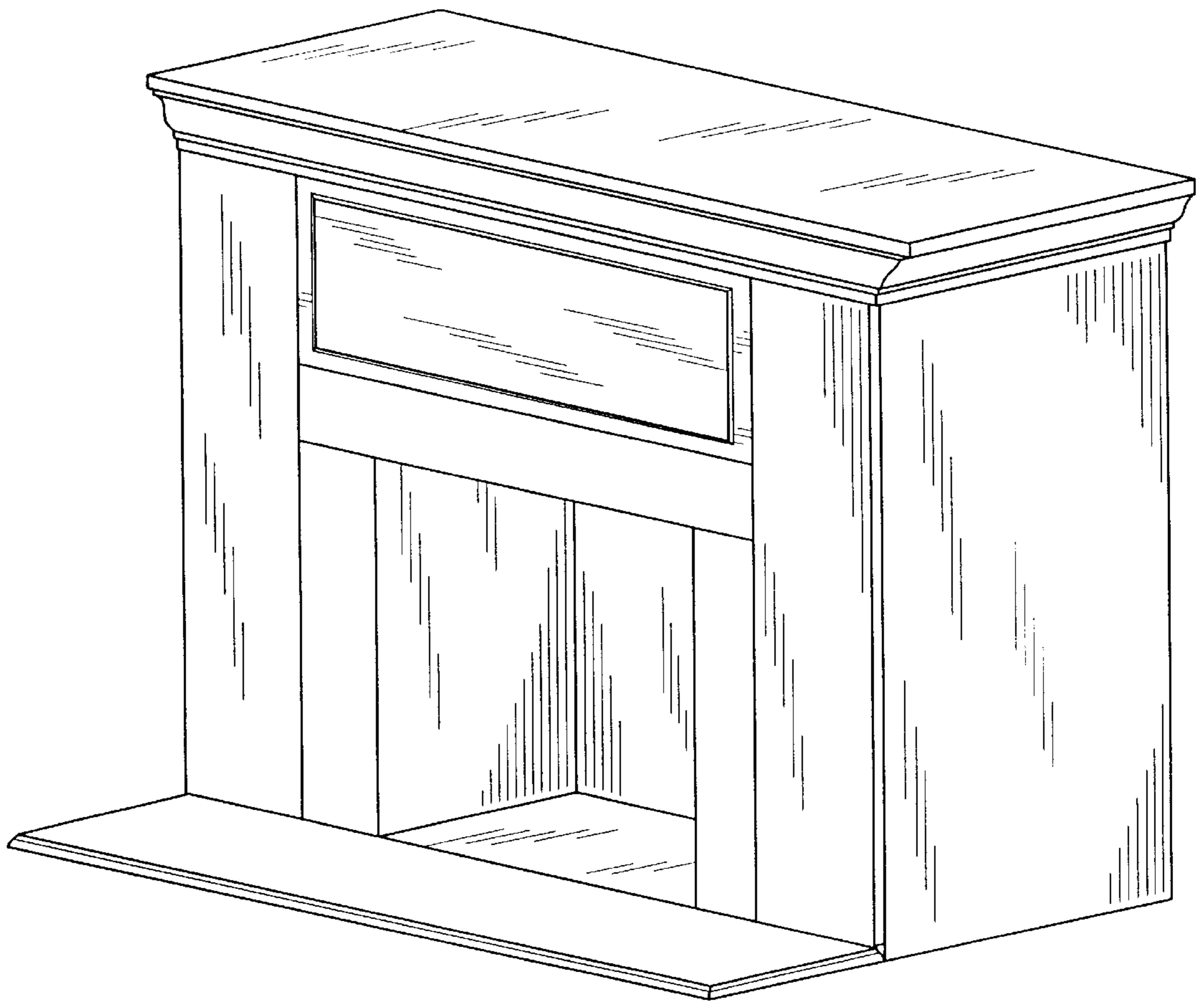
The ornamental design of fireplace entertainment center, as shown and described.

### DESCRIPTION

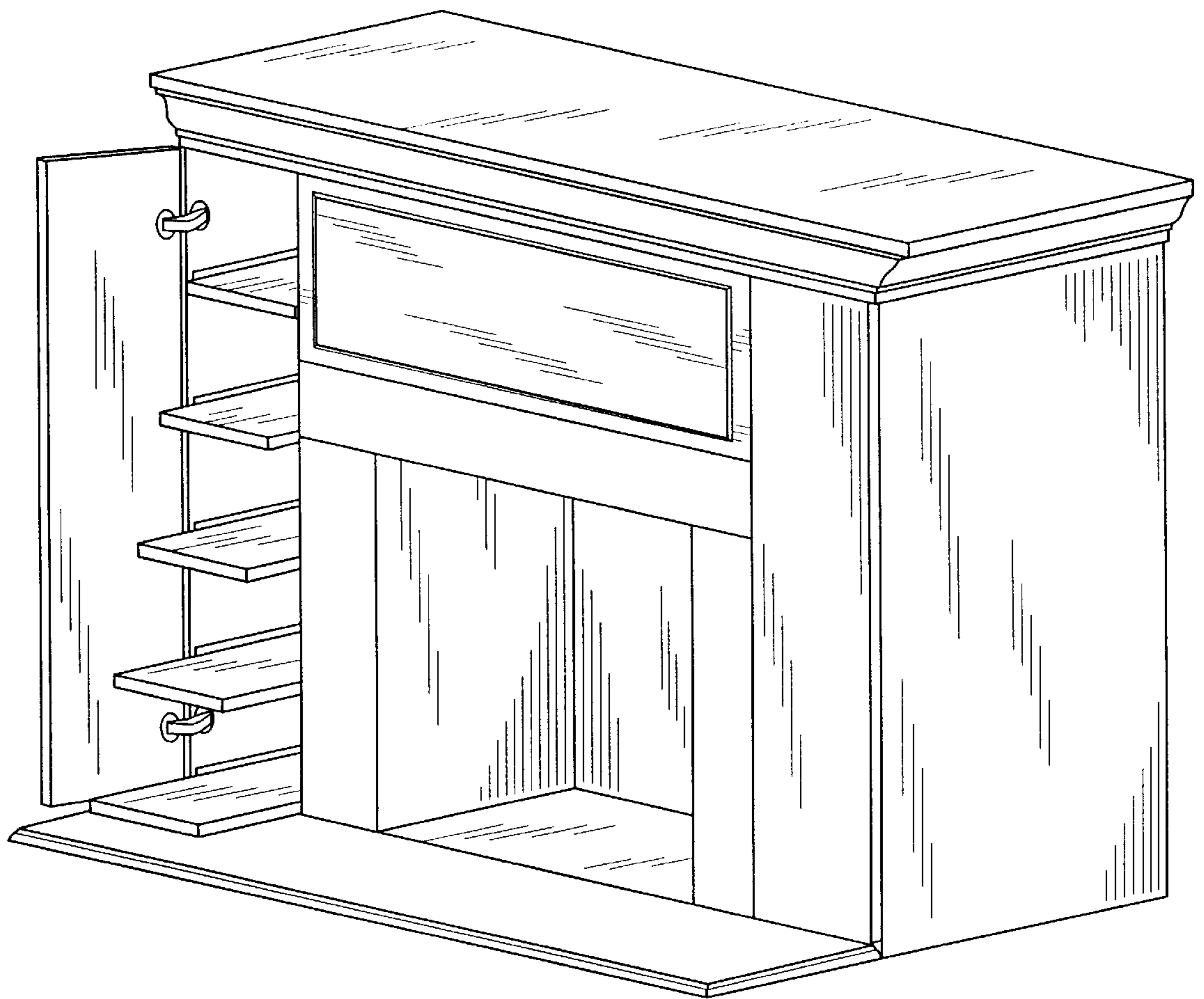
FIG. 1 is a right side perspective view of the fireplace entertainment center showing my new design, the opposite side being a mirror image thereof; FIG. 2 is a perspective view with the left side compartment in open position and some shelves in extended position; and, FIG. 3 is a perspective view with all the compartments in open position, the other side being a mirror image thereof. The rear and bottom of the center not shown in the drawing or described in the specification form no part of the claimed design.

**1 Claim, 3 Drawing Sheets**

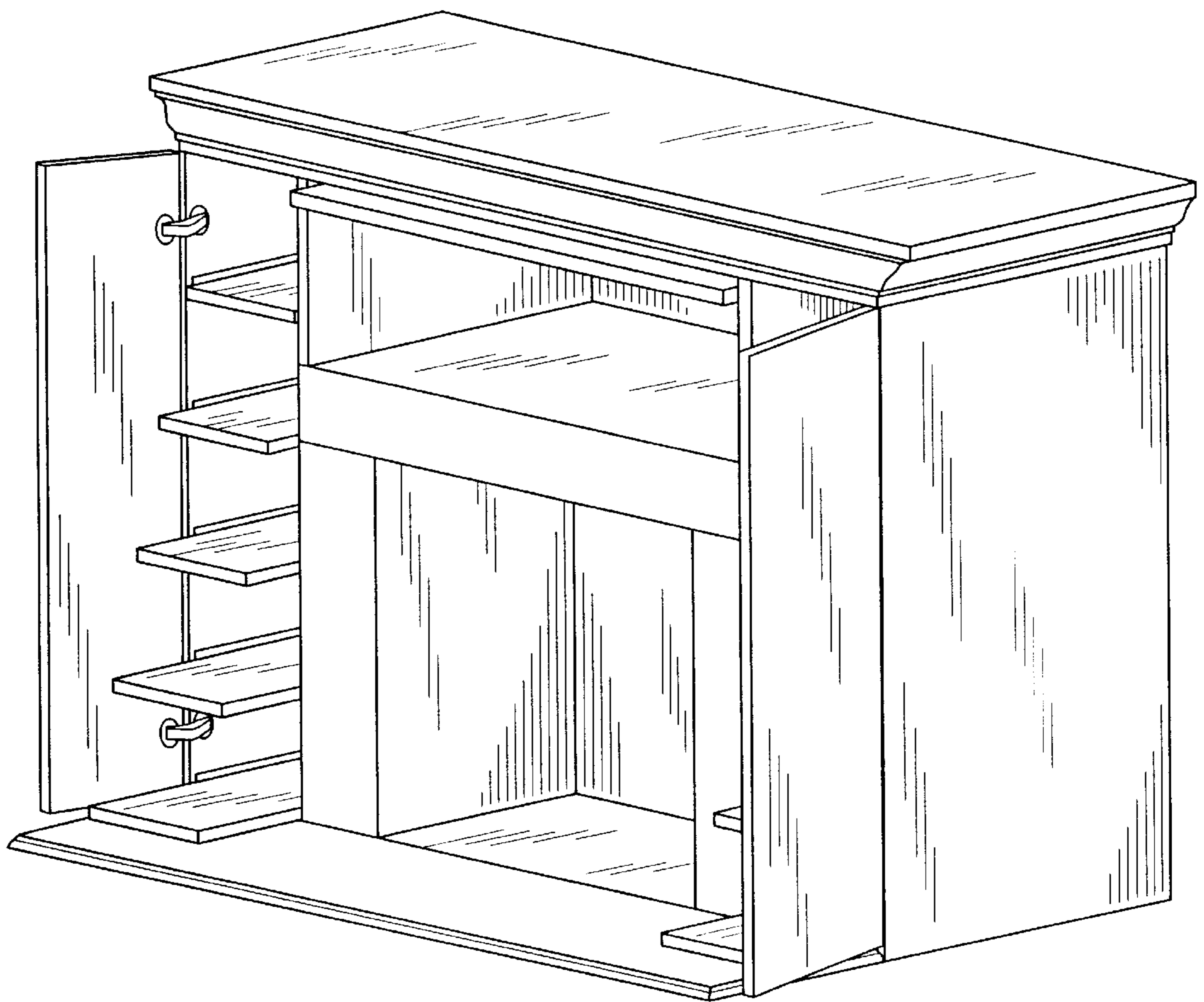




*Fig. 1*



*Fig. 2*



*Fig. 3*