



US00D423802S

United States Patent [19] Tseng

[11] Patent Number: **Des. 423,802**

[45] Date of Patent: **** May 2, 2000**

[54] **SWING FRAME**

[75] Inventor: **Chuen-Jong Tseng**, Chiayi Hsien, Taiwan

[73] Assignee: **Shin Yen Enterprise Co., Ltd.**, Chiayi Hsien, Taiwan

[**] Term: **14 Years**

[21] Appl. No.: **29/106,170**

[22] Filed: **Jun. 10, 1999**

[51] **LOC (7) Cl.** **06-01**

[52] **U.S. Cl.** **D6/347; D6/344**

[58] **Field of Search** D6/334, 335, 344, D6/346, 347, 374, 375, 500, 501, 502; 297/273, 277, 280, 281, 452.13, 452.19; 472/118, 125

[56] **References Cited**

U.S. PATENT DOCUMENTS

D. 260,110	8/1981	Gomes	D6/347
D. 396,564	8/1998	Tseng	D6/347
664,933	1/1901	Durnell, Jr.	297/277
4,351,524	9/1982	Gomes	297/280

4,917,378	4/1990	Girecky et al.	472/125
5,564,987	10/1996	Ayrolles	297/281
5,842,741	12/1998	Onorini	297/273
5,876,289	3/1999	Liu	472/125

OTHER PUBLICATIONS

Resine swing: 4600, Bonzato Inc. catalog, outdoor, 1995.

Primary Examiner—Doris V. Coles
Assistant Examiner—Mimosa De
Attorney, Agent, or Firm—Ladas & Parry

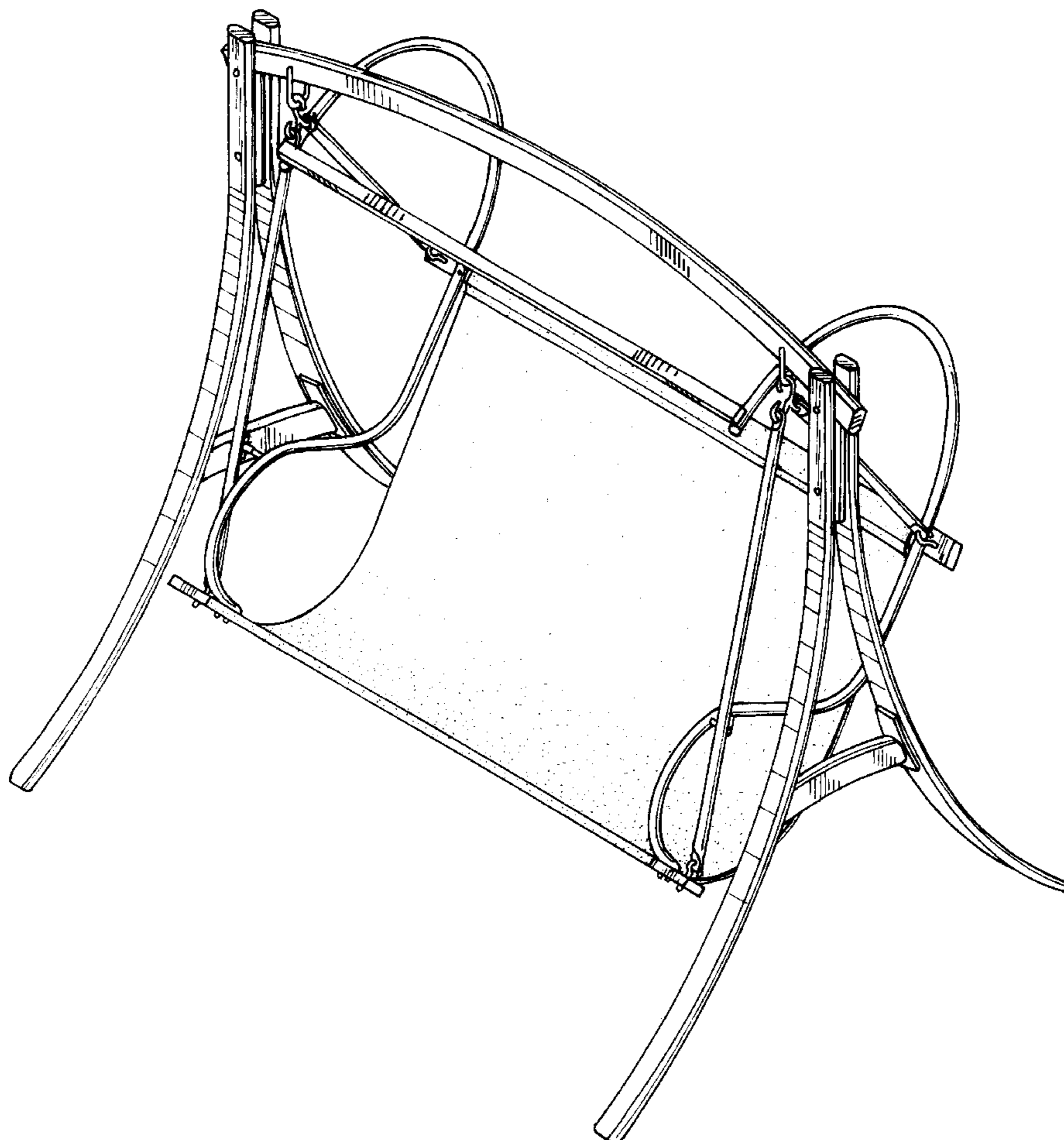
[57] **CLAIM**

The ornamental design for swing frame, as shown and described.

DESCRIPTION

FIG. 1 is a perspective view of swing frame showing my new design;
FIG. 2 is a front elevational view thereof;
FIG. 3 is a rear elevational view thereof;
FIG. 4 is a left side elevational view thereof;
FIG. 5 is a right side elevational view thereof;
FIG. 6 is a top plan view thereof; and,
FIG. 7 is a bottom plan view thereof.

1 Claim, 6 Drawing Sheets



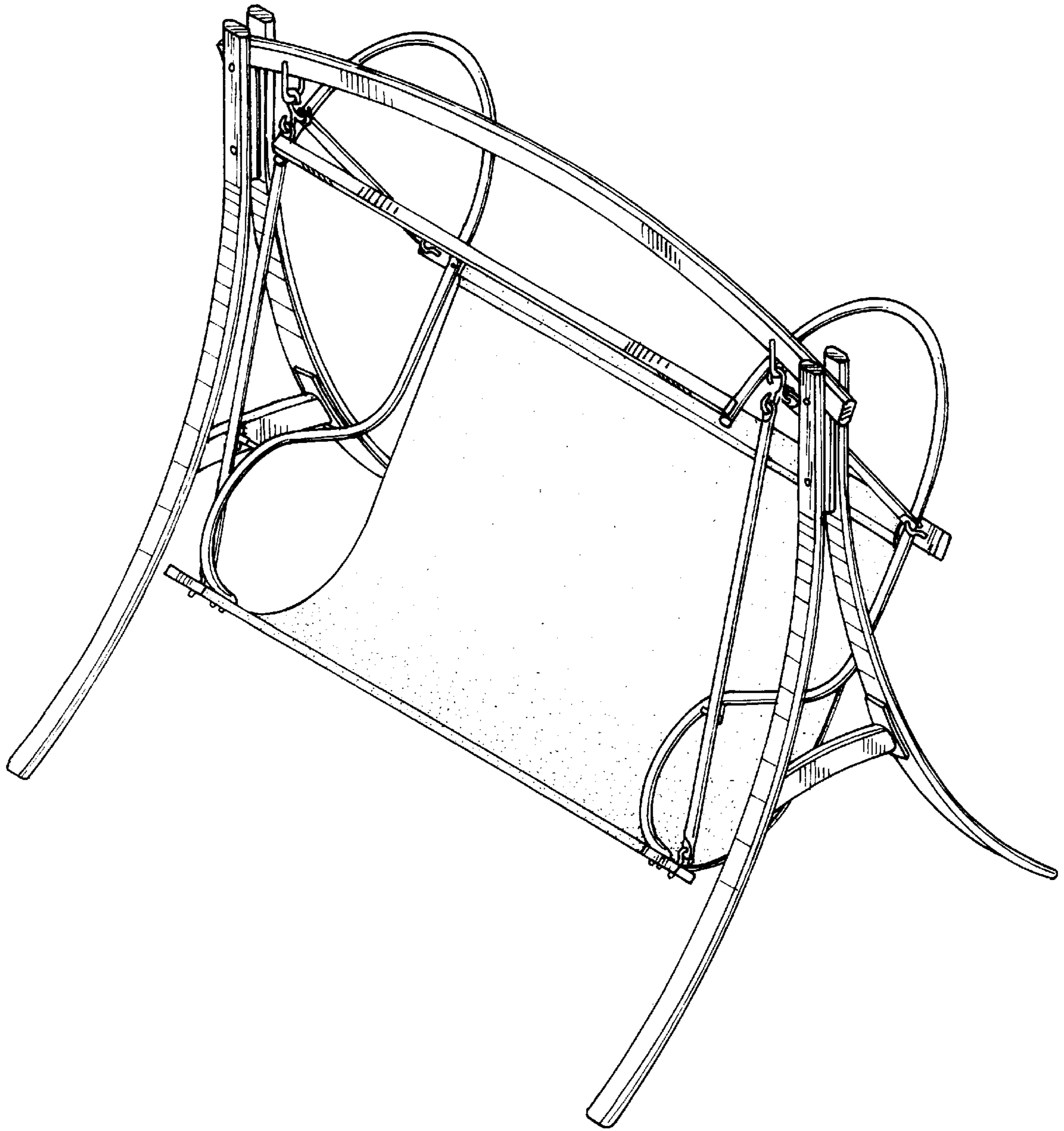


FIG. 1

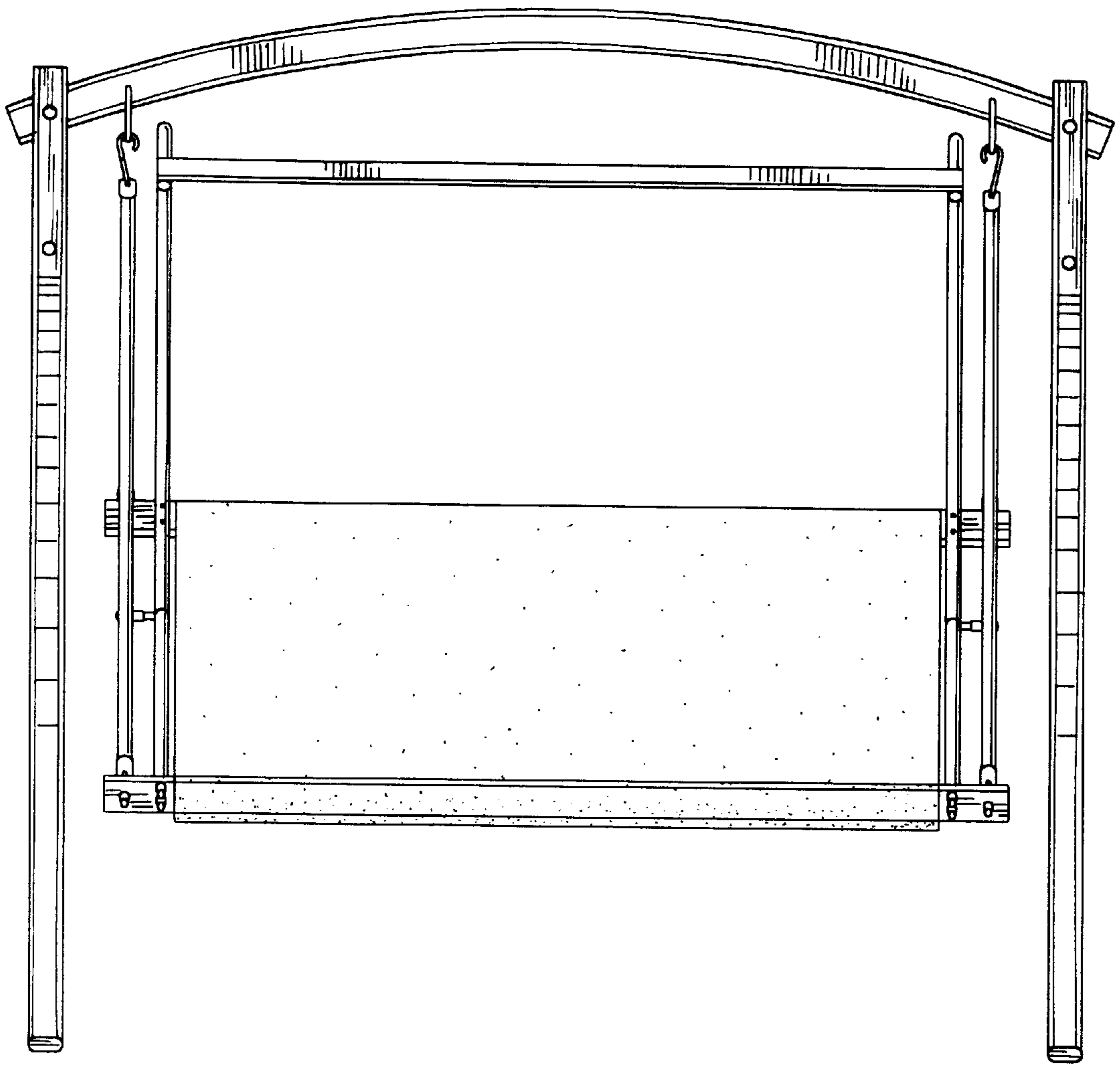


FIG. 2

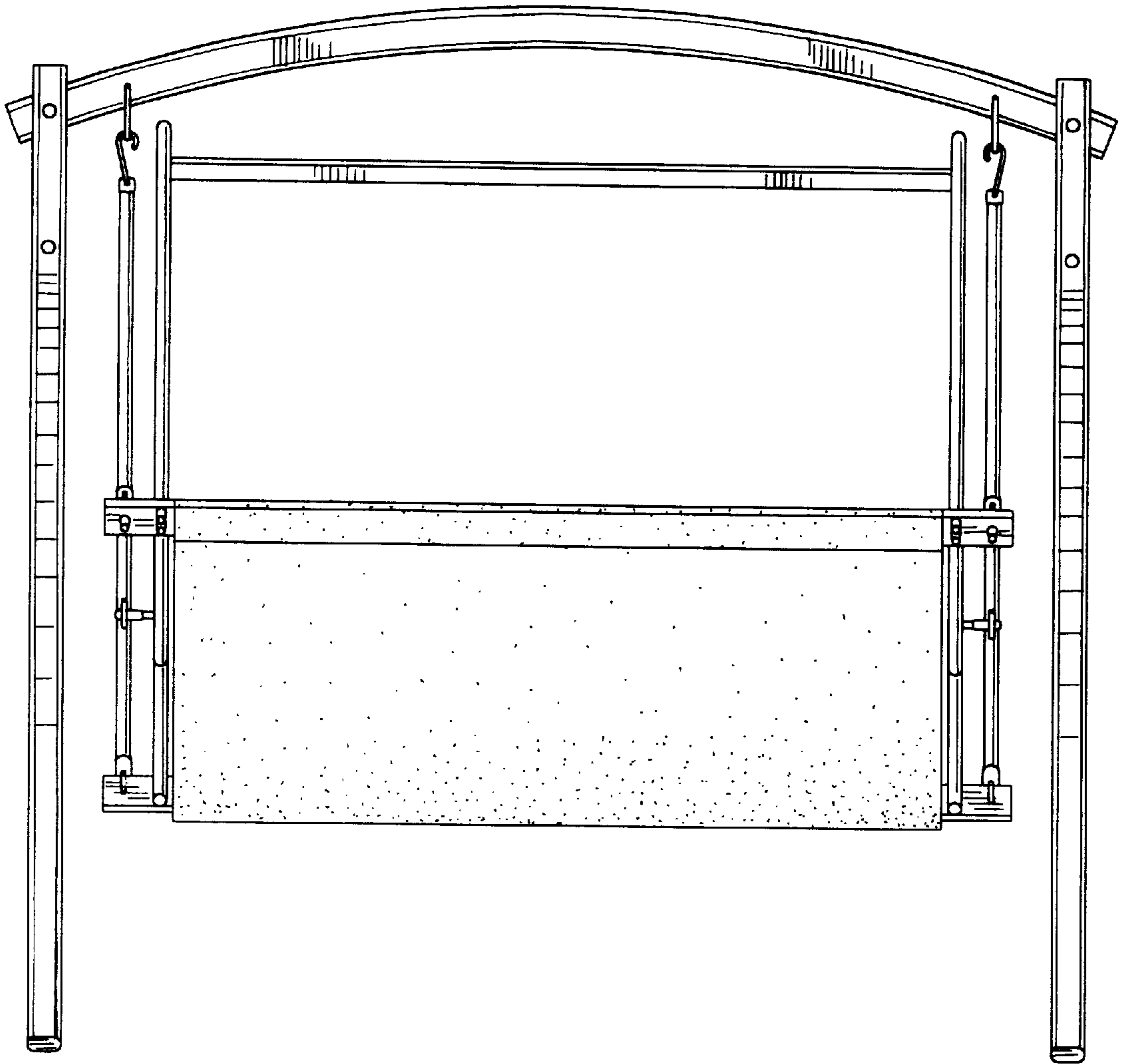


FIG. 3

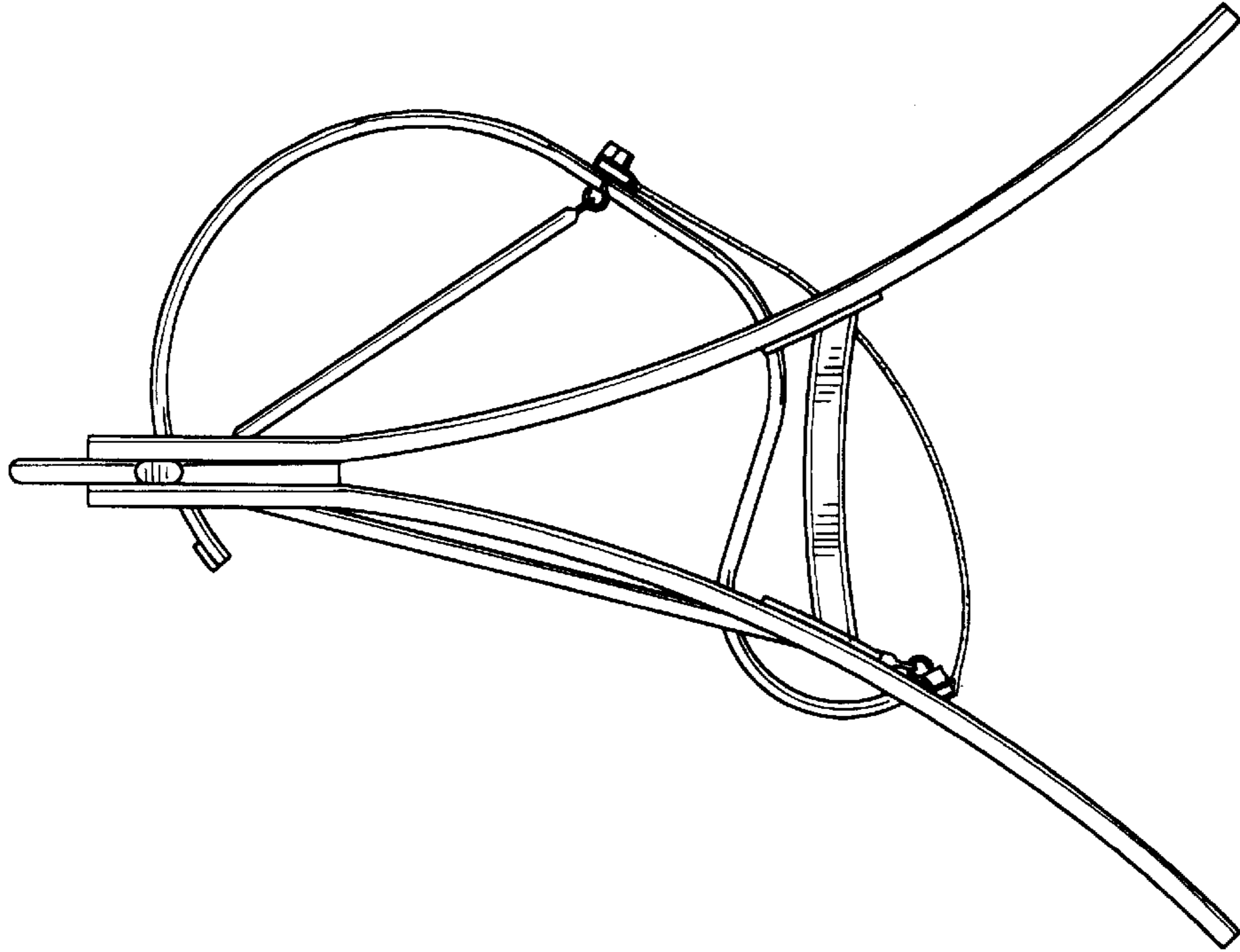


FIG. 5

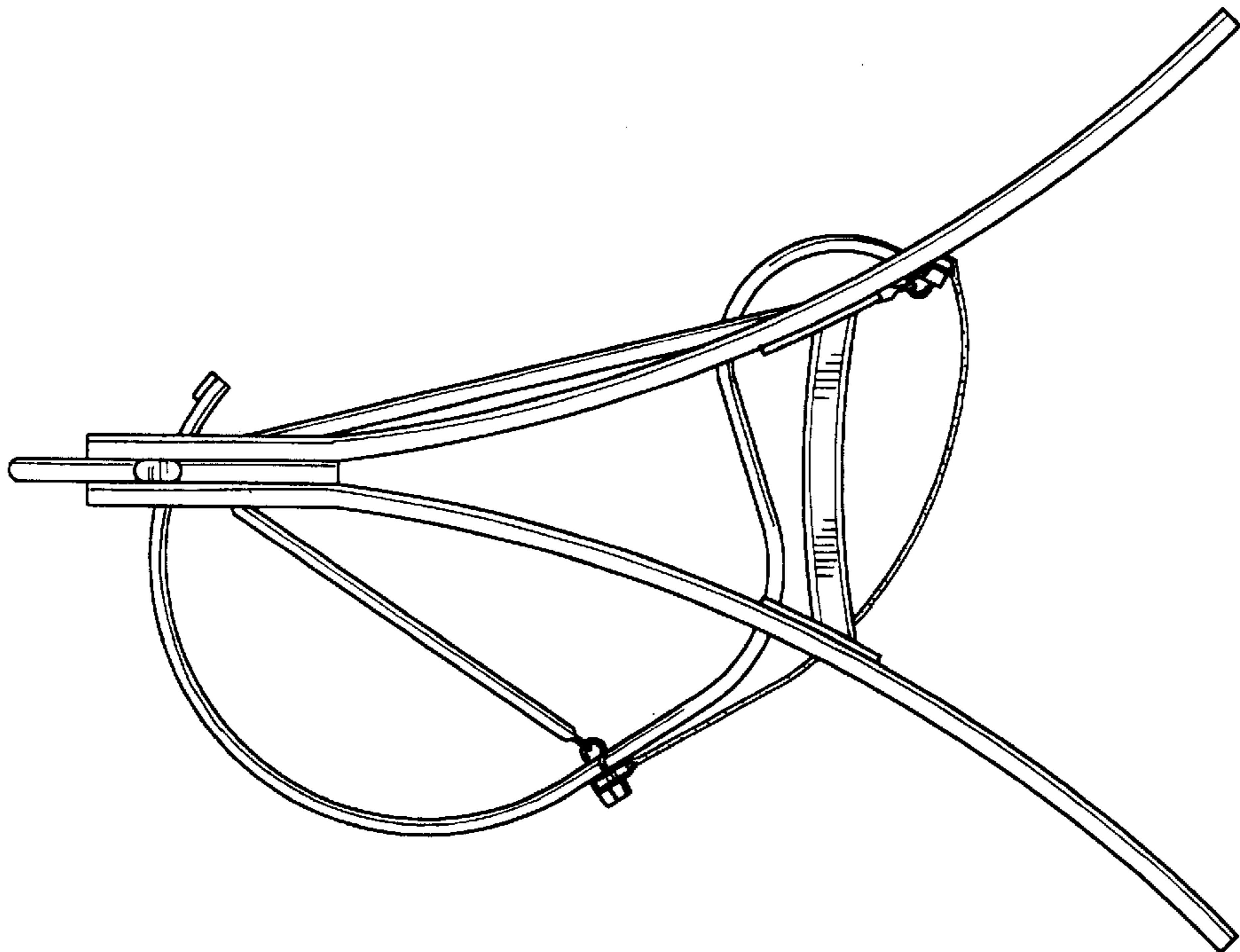


FIG. 4

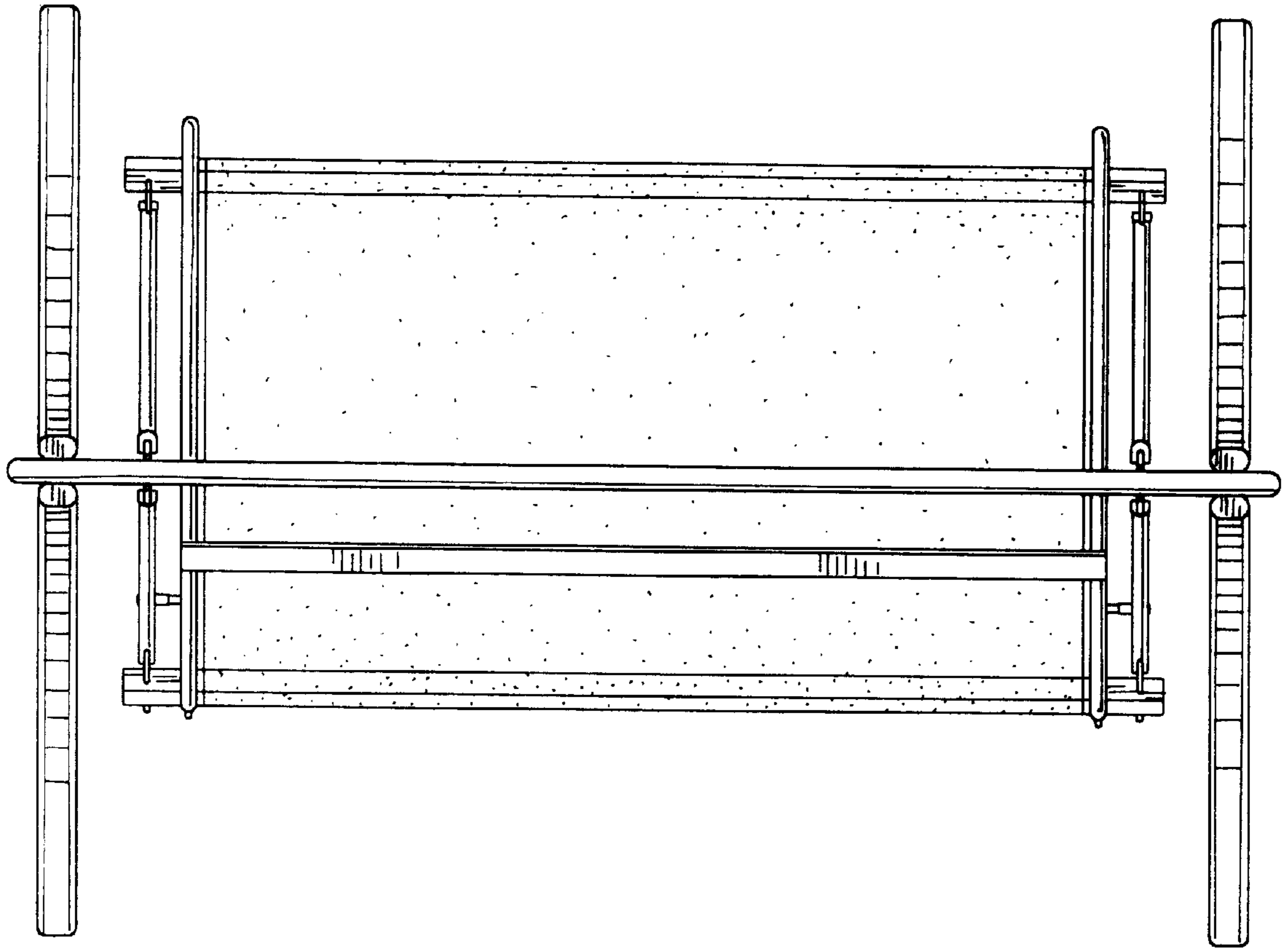


FIG. 6

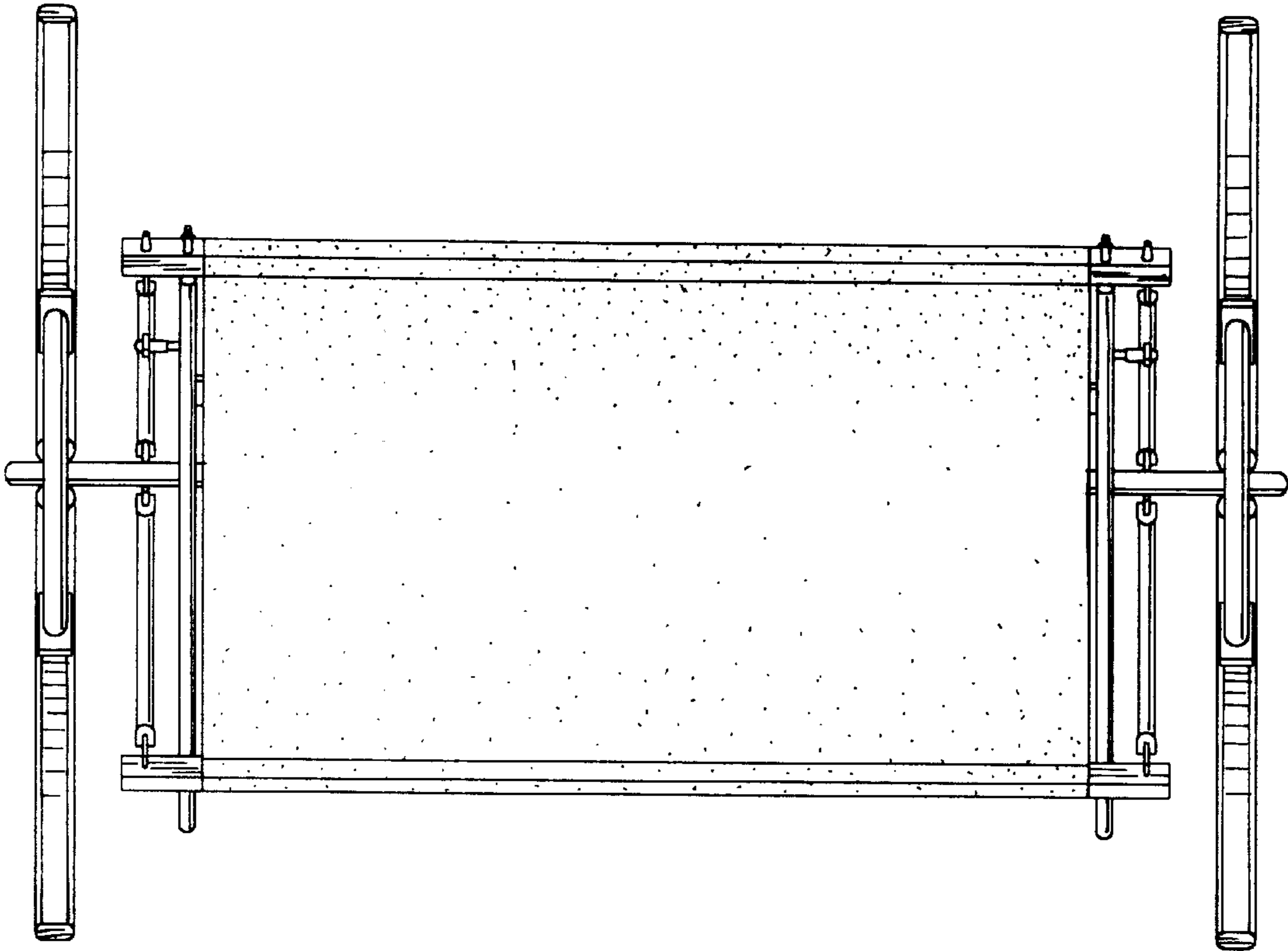


FIG. 7