



US00D423801S

United States Patent [19] Noll

[11] Patent Number: **Des. 423,801**

[45] Date of Patent: **** May 2, 2000**

[54] **GLIDER**

3,994,468 11/1976 Carter et al. .
5,667,273 9/1997 Noll 297/273

[76] Inventor: **Ronald C. Noll**, 25 Fairway Trail,
Moreland Hills, Ohio 44022

OTHER PUBLICATIONS

Grand Isle Brochure, Deluxe Glider LGL-48TZ, 2 pages.
Grand Isle Brochure, LGL-51HBZ, LGL-51Z, 2 pages.
Grand Isle Brochure, Glider Chair, LGL-22Z, 2 pages.

[**] Term: **14 Years**

Primary Examiner—Doris V. Coles
Assistant Examiner—Mimosa De
Attorney, Agent, or Firm—Pearne, Gordon, McCoy &
Granger LLP

[21] Appl. No.: **29/105,481**

[22] Filed: **May 26, 1999**

[51] **LOC (7) Cl.** **06-01**

[52] **U.S. Cl.** **D6/344**

[58] **Field of Search** D6/334, 335, 336,
D6/344, 346, 347, 370, 374, 375, 379,
381, 500, 501, 502; 297/281, 282, 273,
452.63

[57] CLAIM

The ornamental design for a glider, as shown and described.

[56] References Cited

U.S. PATENT DOCUMENTS

D. 121,462	7/1940	Tabb .	
D. 141,705	6/1945	Slaughter .	
D. 165,835	2/1952	Glass .	
D. 290,911	7/1987	Pomeroy et al.	D6/370
D. 325,823	5/1992	Pomeroy et al.	D6/335
D. 328,197	7/1992	Braxton, III .	
D. 399,064	10/1998	Noll	D6/347
D. 399,065	10/1998	Noll	D6/347
D. 400,720	11/1998	Pomeroy et al.	D6/344
D. 403,516	1/1999	Noll	D6/344
D. 406,948	3/1999	Noll	D6/344

DESCRIPTION

FIG. 1 is a perspective view of a glider, showing my new design.

FIG. 2 is a top plan view thereof.

FIG. 3 is a front elevational view thereof.

FIG. 4 is a side elevational view thereof, the other side elevational view being a mirror image.

FIG. 5 is a rear elevational view thereof; and,

FIG. 6 is a bottom plan view thereof.

The broken line showing of the wood grain patterns is for illustrative purposes only and forms no part of the claimed design.

1 Claim, 4 Drawing Sheets

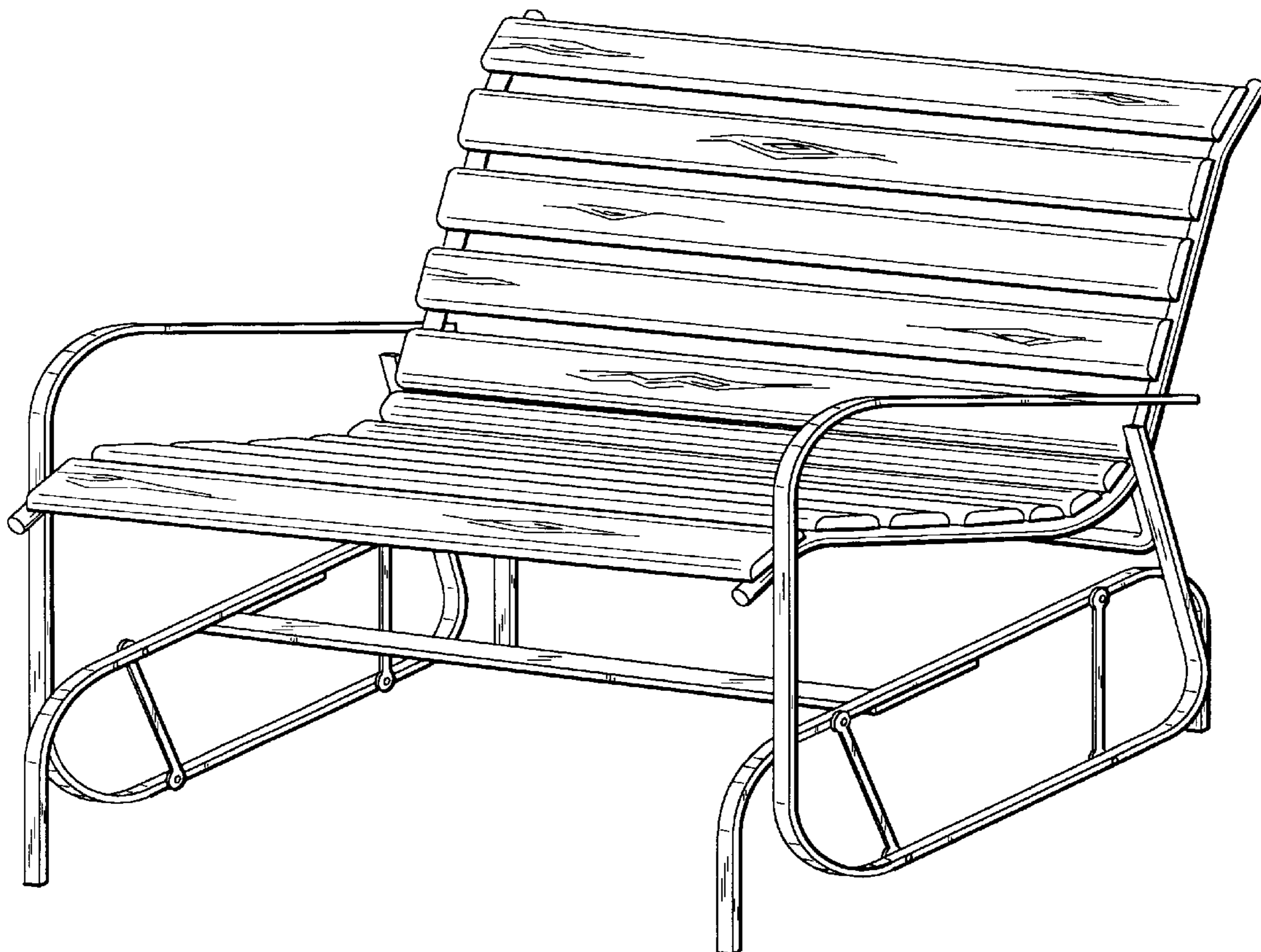
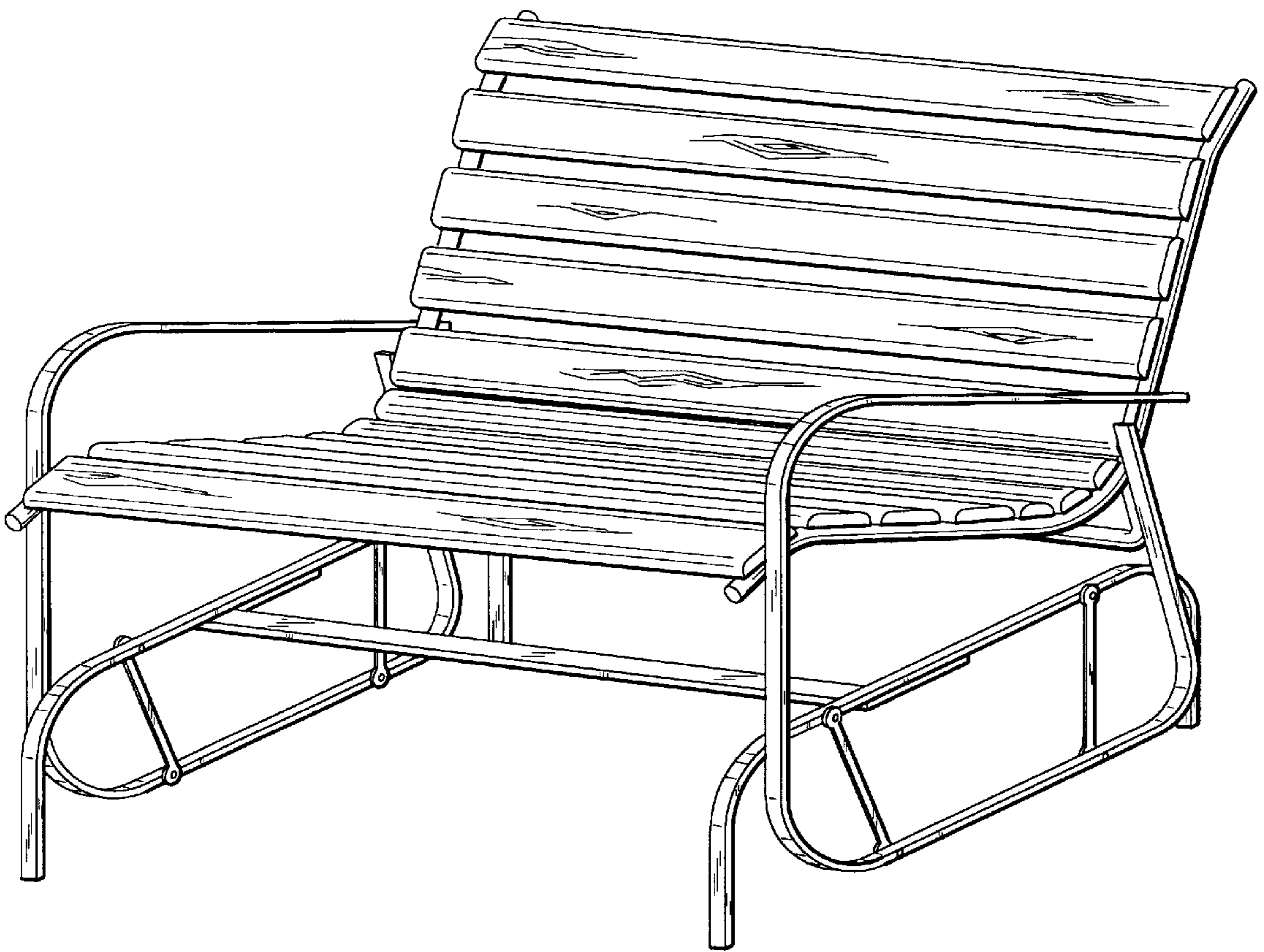


Fig. 1



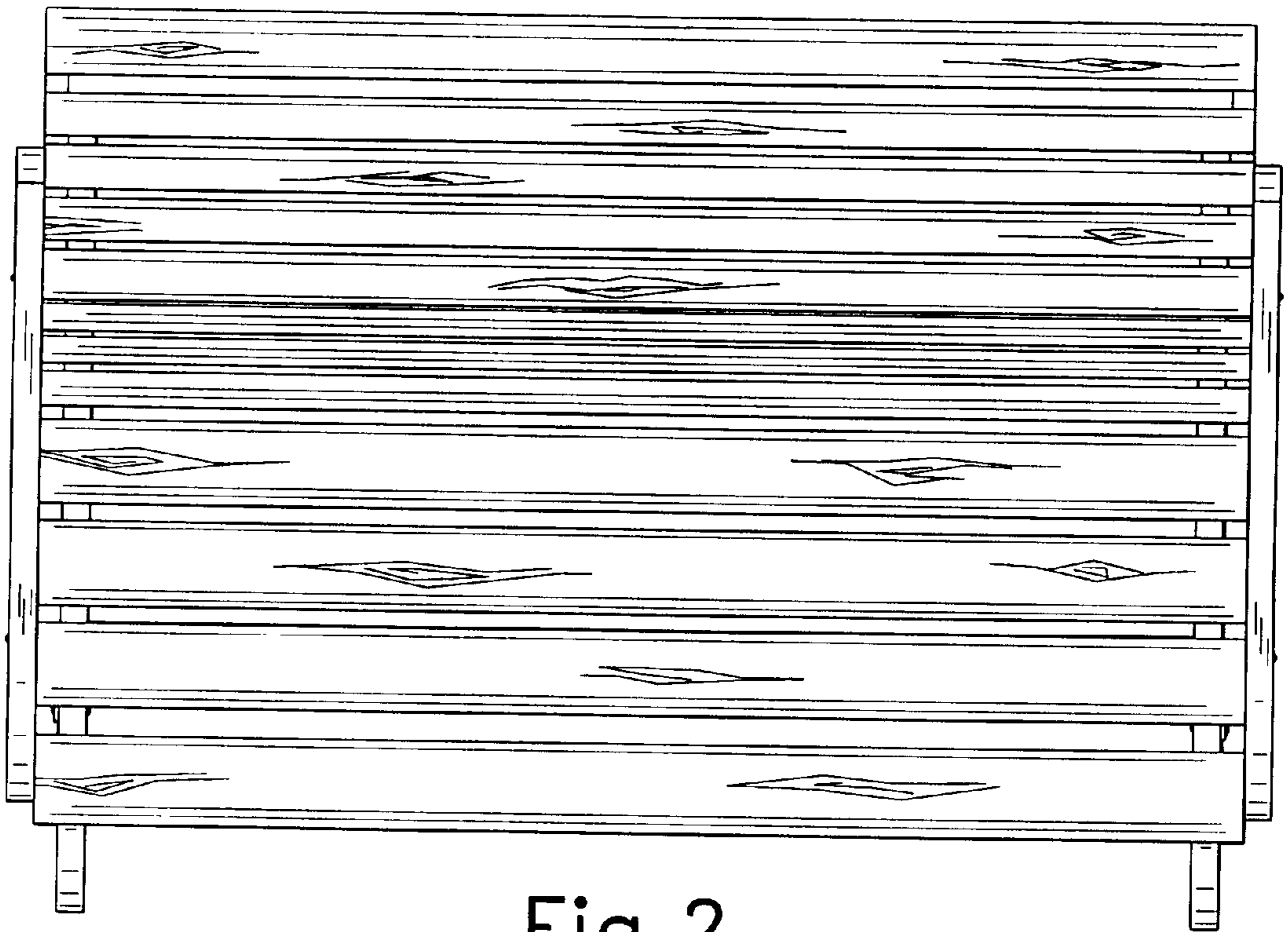


Fig. 2

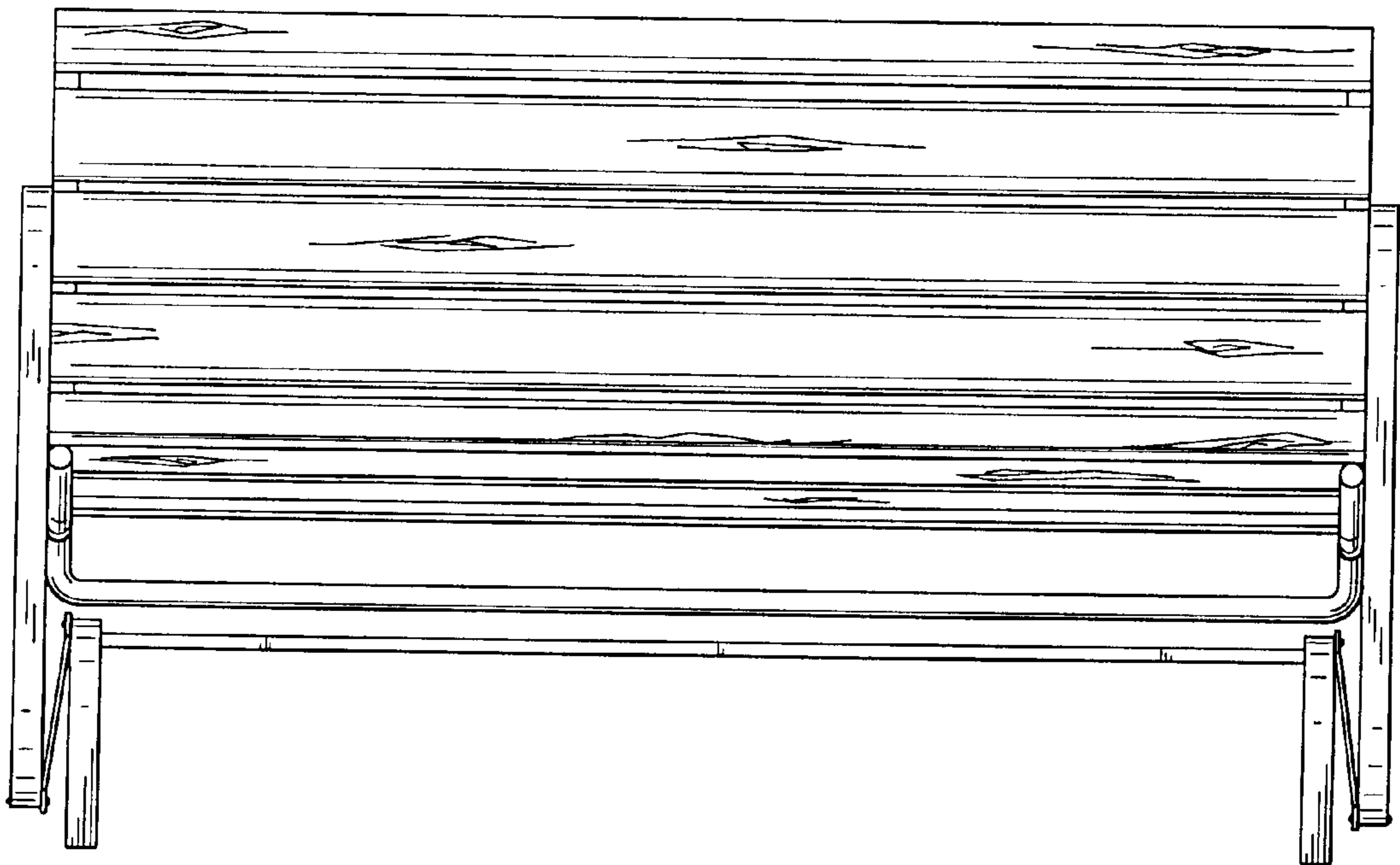


Fig. 3

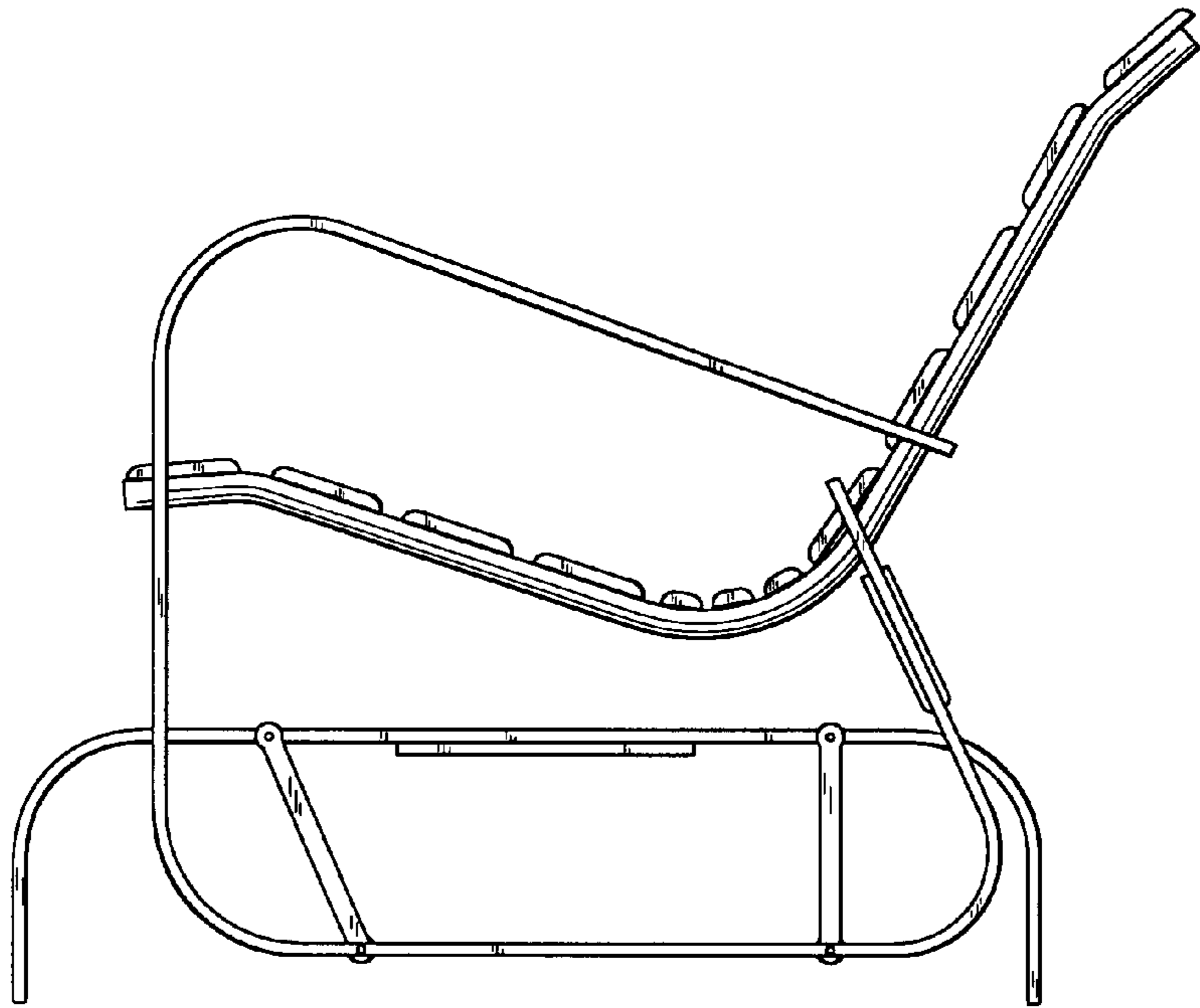


Fig. 4

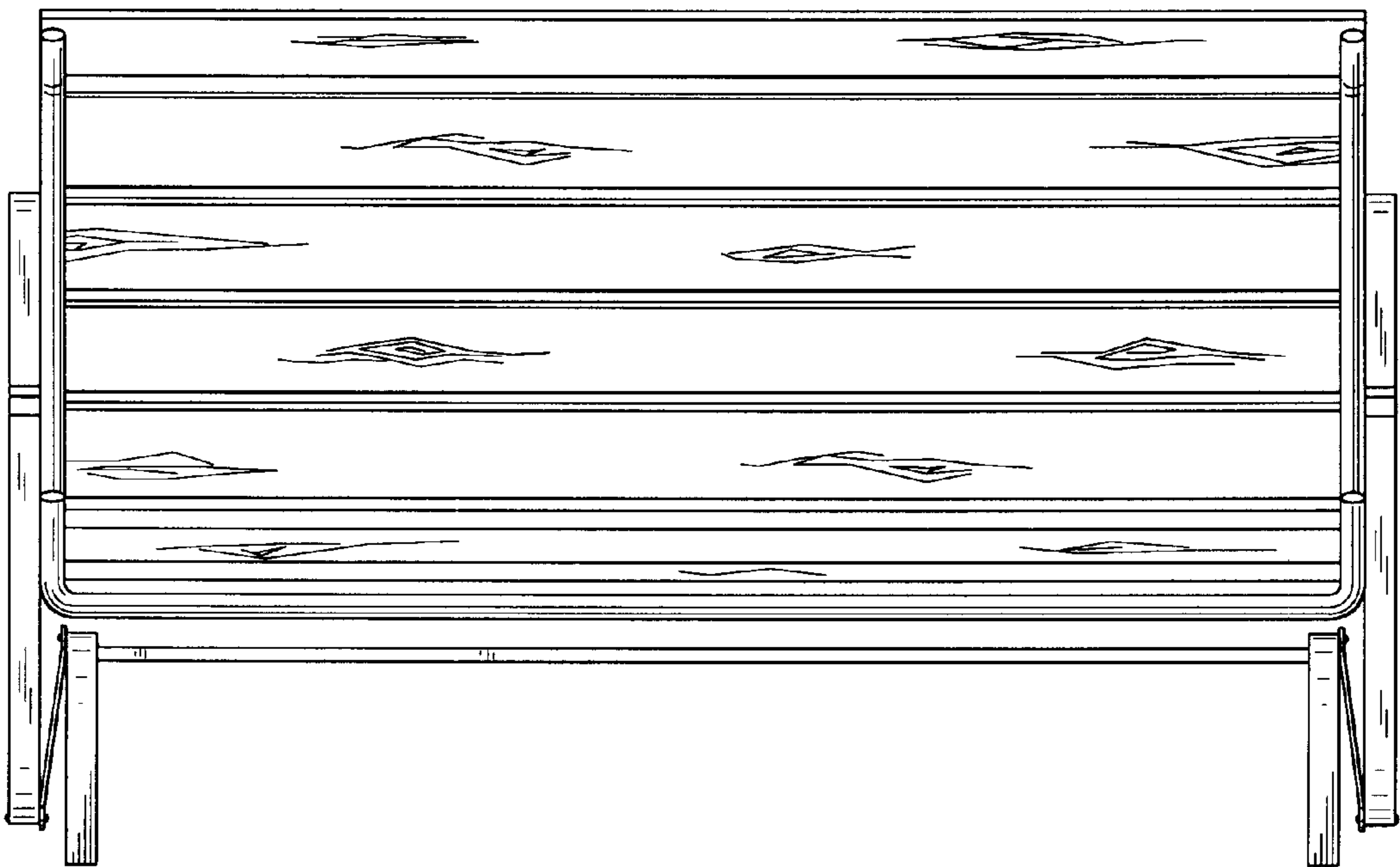


Fig. 5

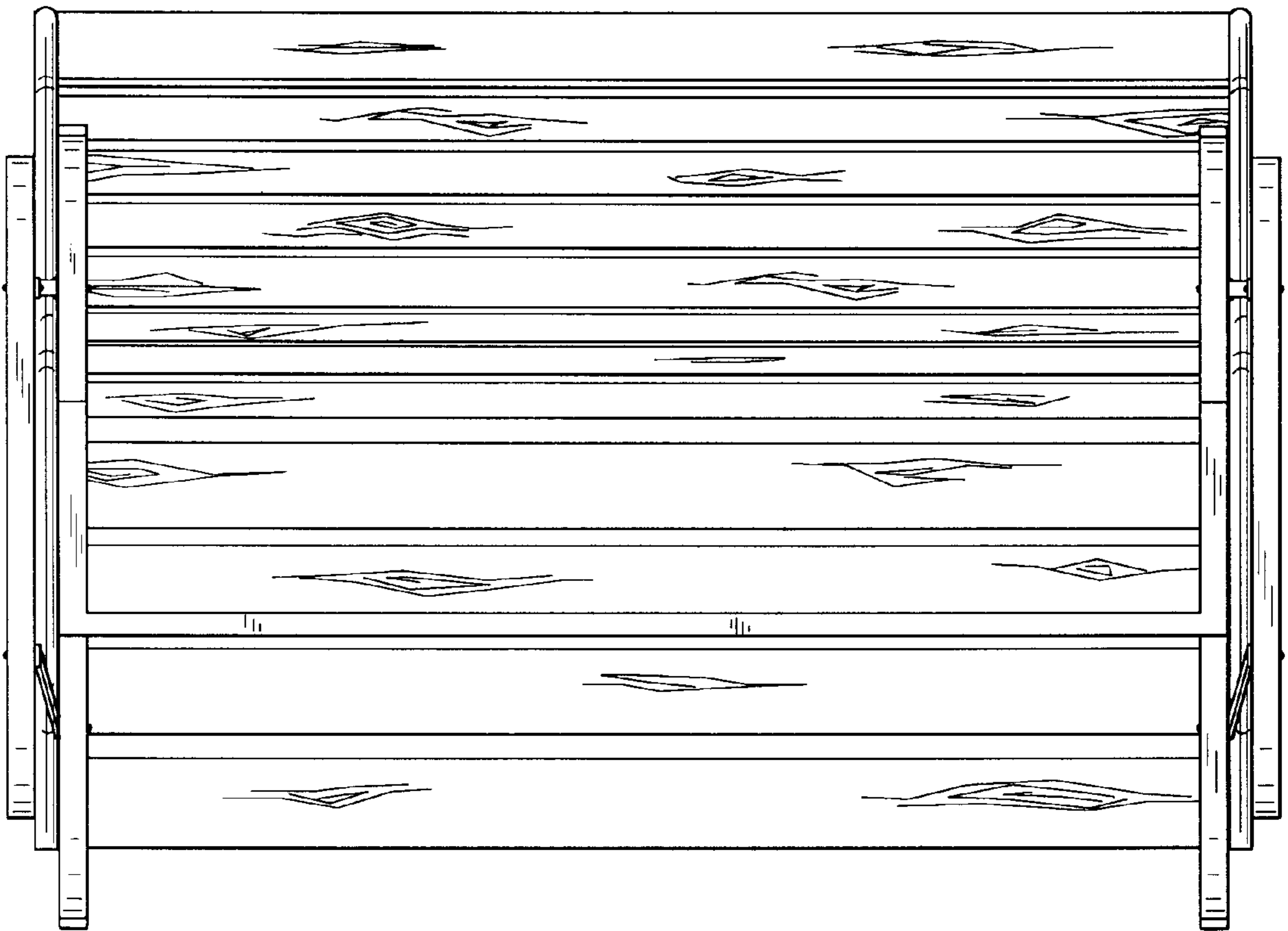


Fig.6

UNITED STATES PATENT AND TRADEMARK OFFICE
CERTIFICATE OF CORRECTION

PATENT NO. : D,423,801
DATED : May 2, 2000
INVENTOR(S) : Noll

Page 1 of 5

It is certified that error appears in the above-identified patent and that said Letters Patent is hereby corrected as shown below:

In the Drawings, new drawings were filed January 21, 2000 and should be included in Patent, (Sheet 1 of 4, Sheet 2 of 4, Sheet 3 of 4, and Sheet 4 of 4). Copies of these drawings are attached.

Signed and Sealed this

Tenth Day of July, 2001

Nicholas P. Godici

Attest:

Attesting Officer

NICHOLAS P. GODICI
Acting Director of the United States Patent and Trademark Office

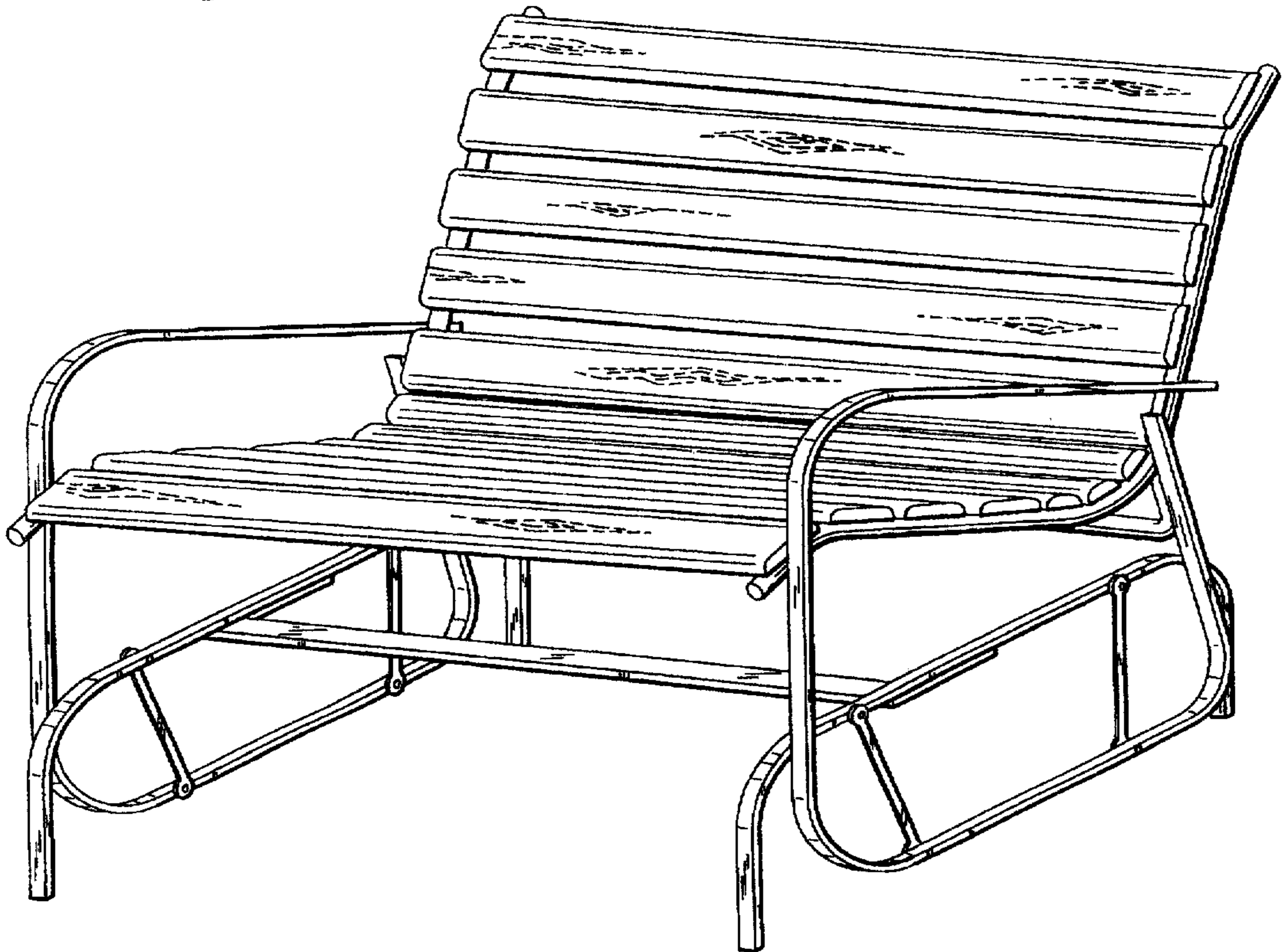
UNITED STATES PATENT AND TRADEMARK OFFICE
CERTIFICATE OF CORRECTION

PATENT NO. : D,423,801
DATED : May 2, 2000
INVENTOR(S) : Noll

Page 2 of 5

It is certified that error appears in the above-identified patent and that said Letters Patent is hereby corrected as shown below:

Fig. 1



UNITED STATES PATENT AND TRADEMARK OFFICE
CERTIFICATE OF CORRECTION

PATENT NO. : D,423,801
DATED : May 2, 2000
INVENTOR(S) : Noll

Page 3 of 5

It is certified that error appears in the above-identified patent and that said Letters Patent is hereby corrected as shown below:

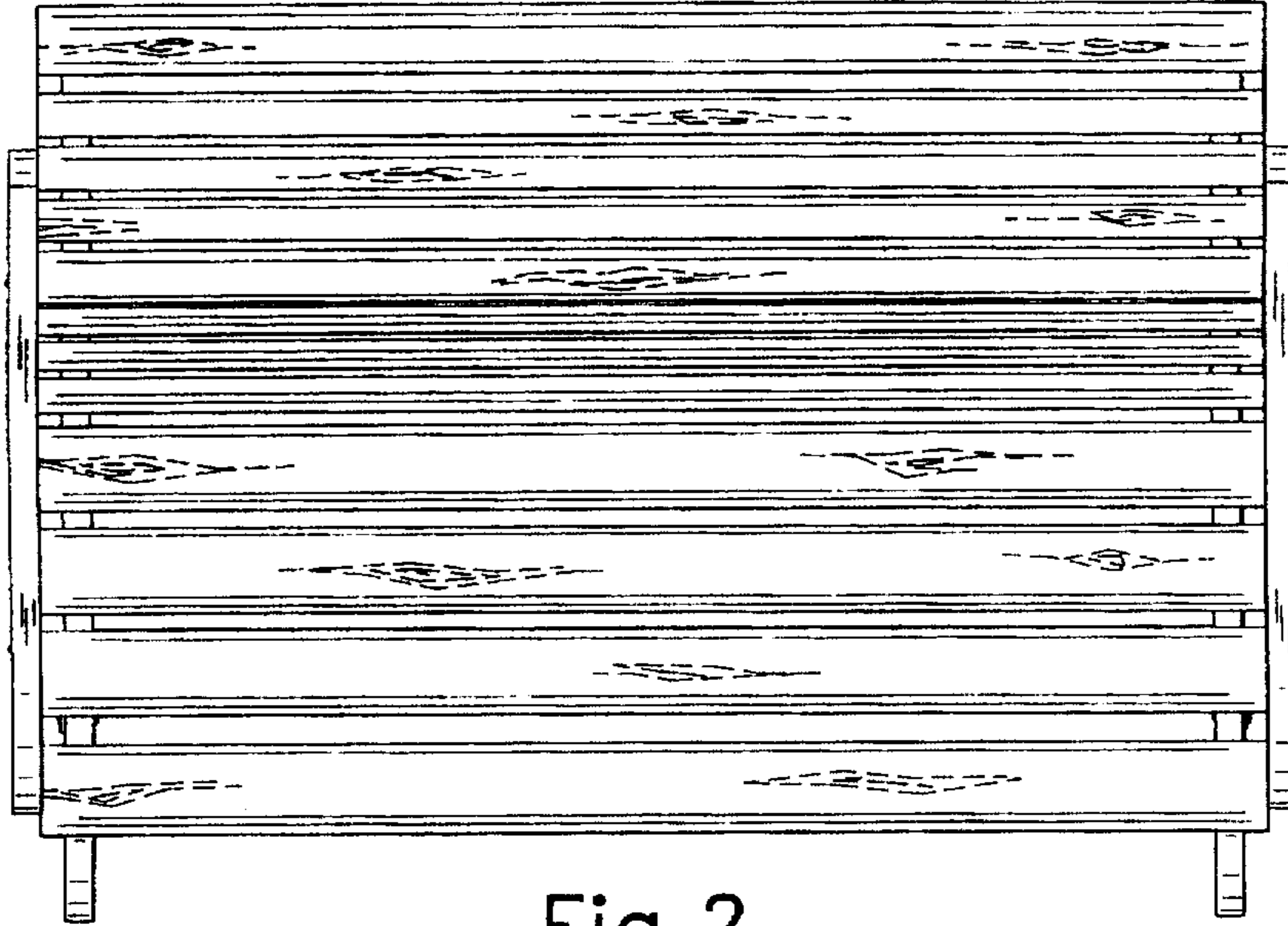
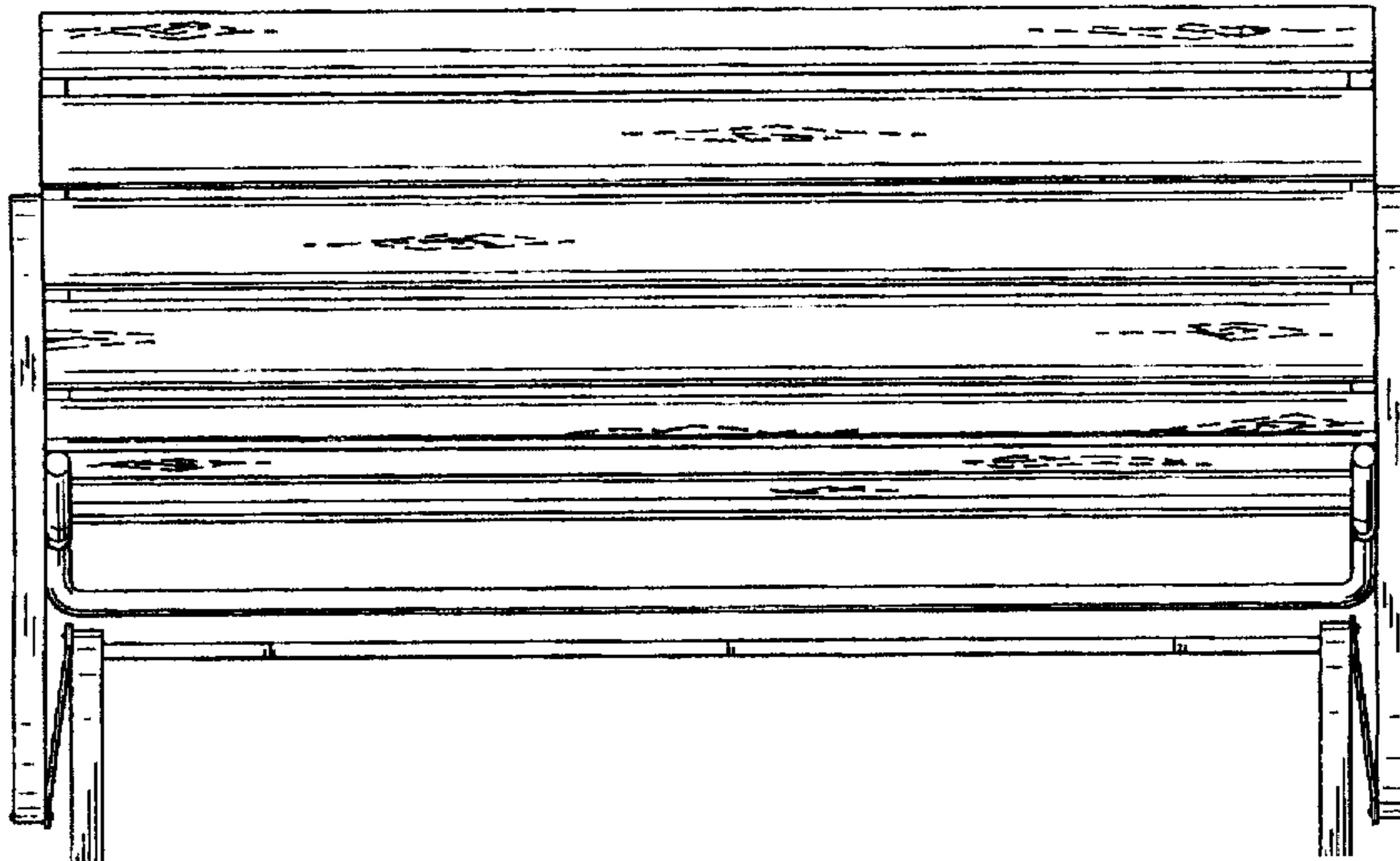


Fig. 2



UNITED STATES PATENT AND TRADEMARK OFFICE
CERTIFICATE OF CORRECTION

PATENT NO. : D,423,801
DATED : May 2, 2000
INVENTOR(S) : Noll

Page 4 of 5

It is certified that error appears in the above-identified patent and that said Letters Patent is hereby corrected as shown below:

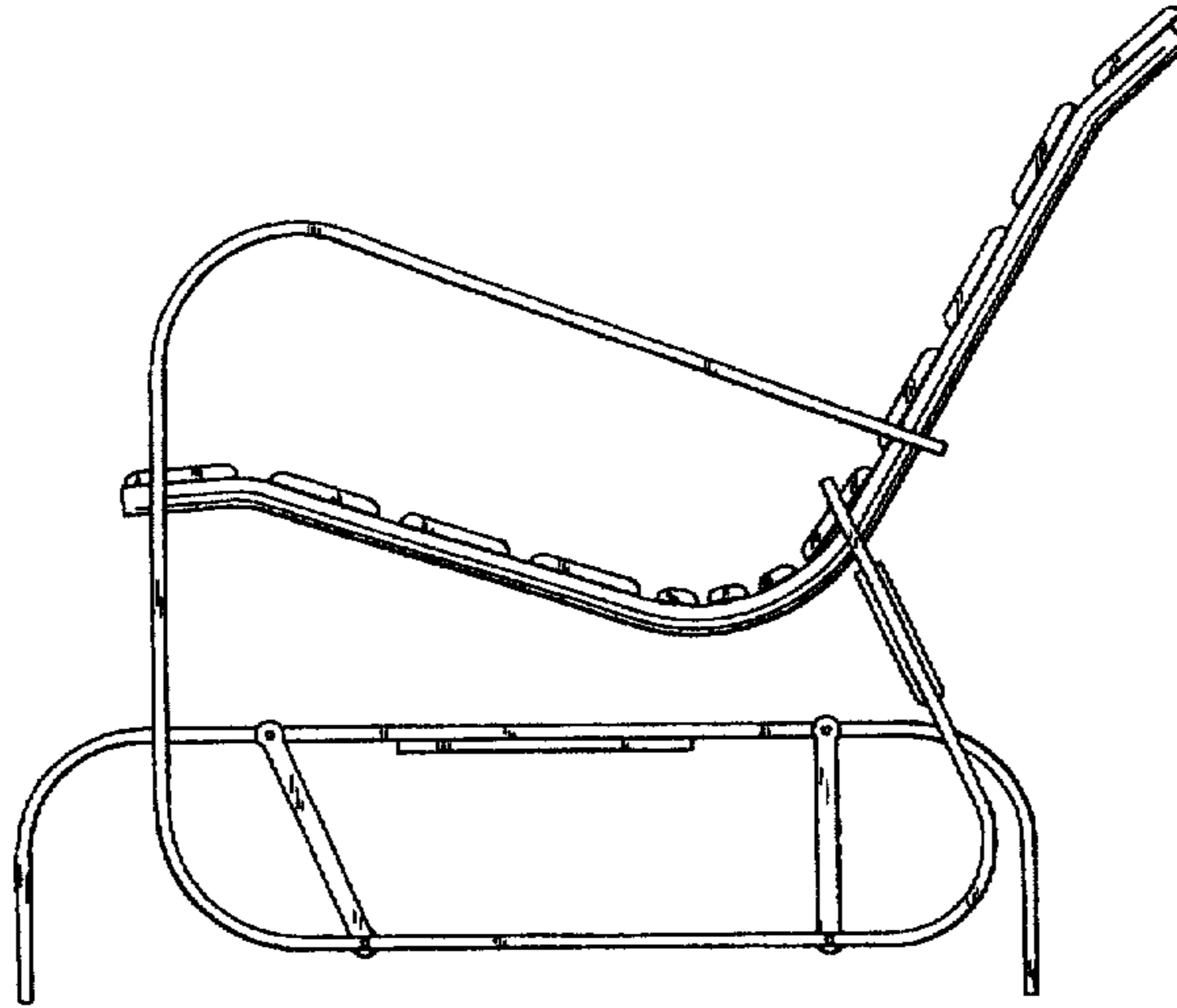


Fig.4

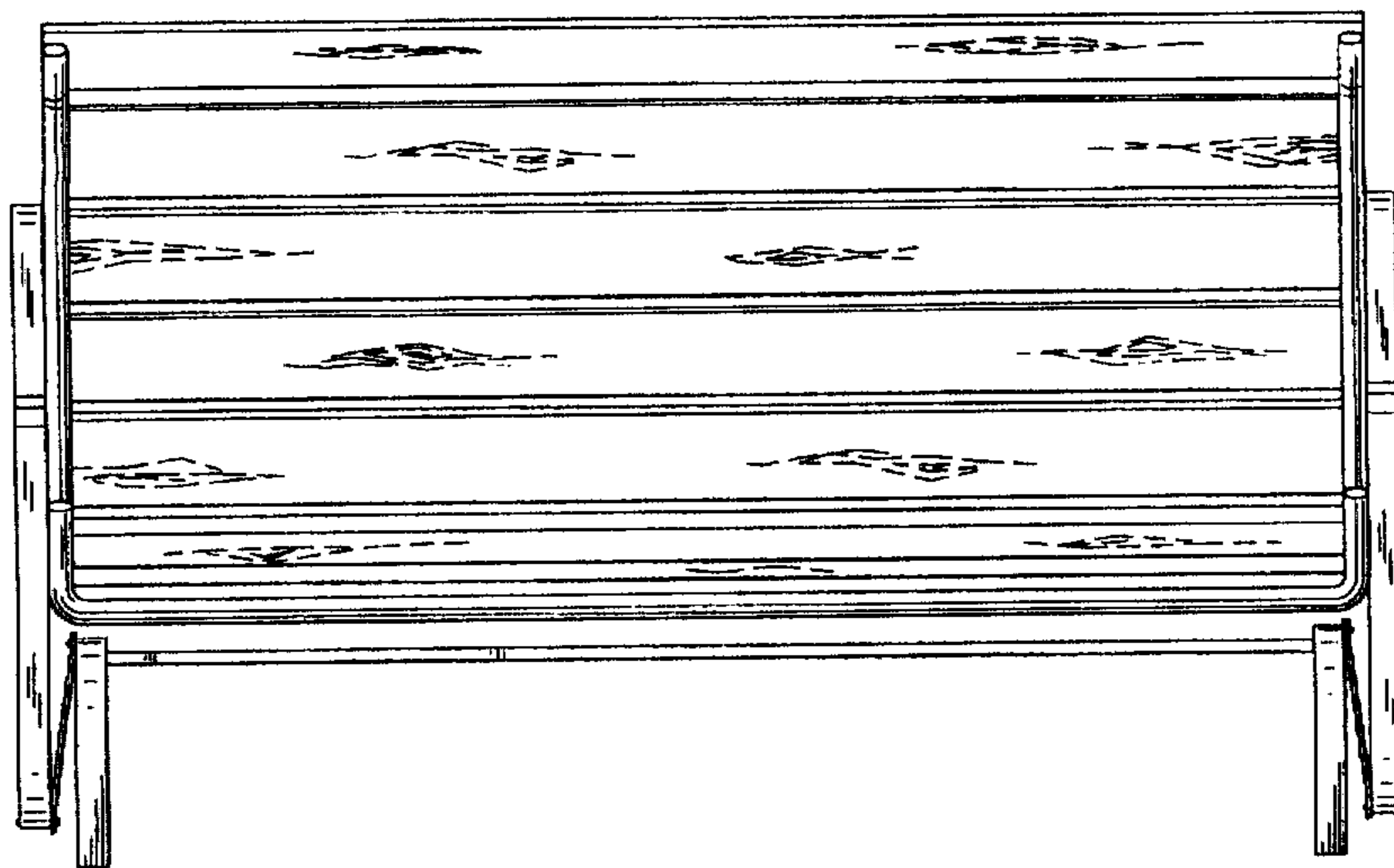


Fig.5

UNITED STATES PATENT AND TRADEMARK OFFICE
CERTIFICATE OF CORRECTION

PATENT NO. : D,423,801
DATED : May 2, 2000
INVENTOR(S) : Noll

Page 5 of 5

It is certified that error appears in the above-identified patent and that said Letters Patent is hereby corrected as shown below:

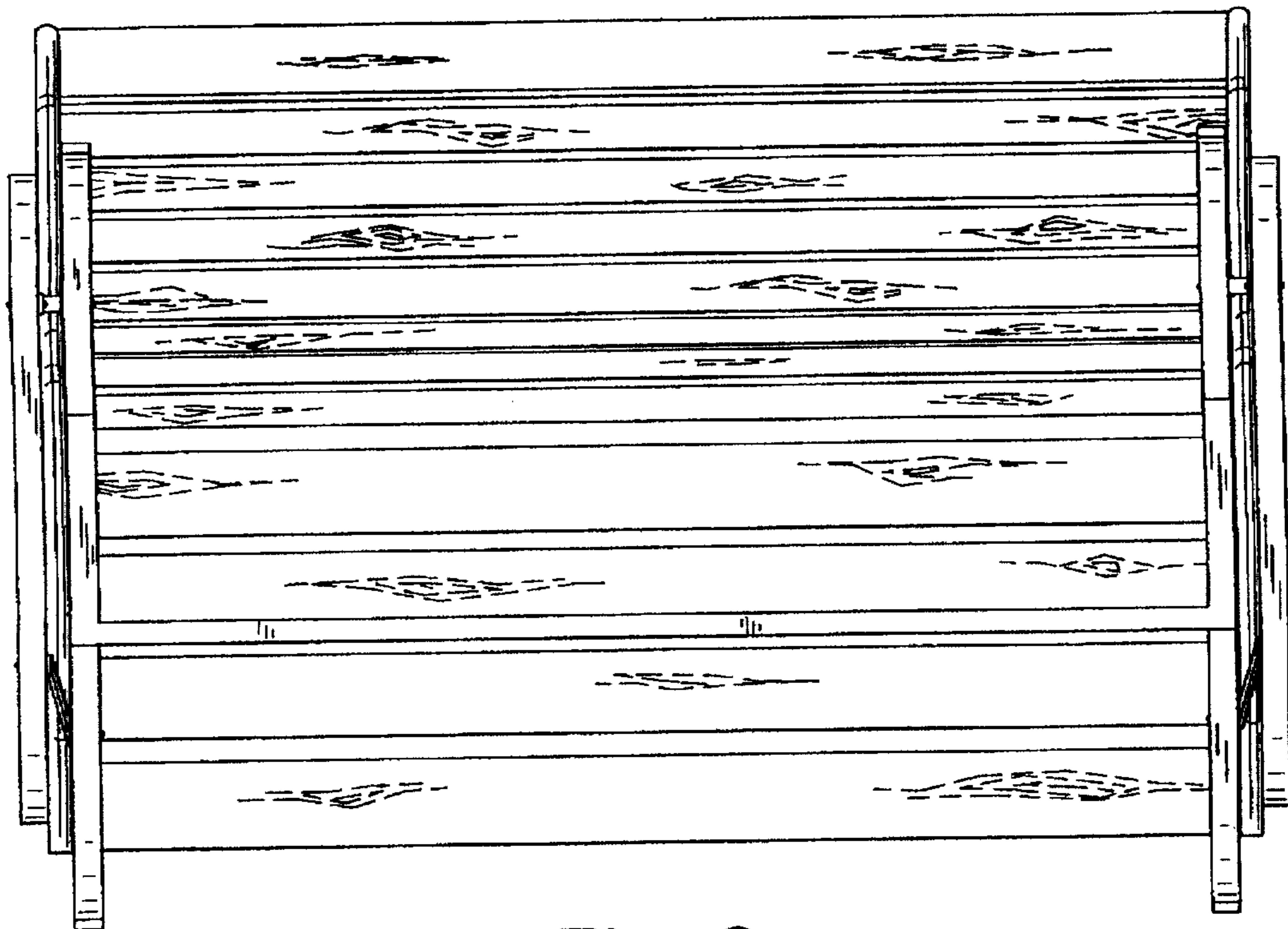


Fig. 6