



US00D423798S

United States Patent [19]
Willardson

[11] **Patent Number: Des. 423,798**

[45] **Date of Patent: ** May 2, 2000**

[54] **APPAREL DESIGNATOR**

4,198,773	4/1980	Batts	40/316
4,679,340	7/1987	Johansson	40/322
5,586,697	12/1996	Johansson	223/85

[75] Inventor: **Donald J. Willardson**, Provo, Utah

[73] Assignee: **DBW Marketing, Inc.**, Provo, Utah

[**] Term: **14 Years**

Primary Examiner—B. J. Bullock
Attorney, Agent, or Firm—Lloyd W. Sadler

[21] Appl. No.: **29/107,370**

[22] Filed: **Jun. 30, 1999**

[57] **CLAIM**

The ornamental design for an apparel designator, as shown and described.

[51] **LOC (7) Cl.** **06-08**

[52] **U.S. Cl.** **D6/328; D20/28**

[58] **Field of Search** D6/328; D20/28;
40/322, 316; 223/85, 87-89, 91-94, 96

DESCRIPTION

FIG. 1 is a perspective view of the apparel designator in use. FIG. 2 is an enlarged perspective view of the apparel designator alone.

FIG. 3 is a top plan view thereof.

FIG. 4 is a front side elevation view.

FIG. 5 is a rear side elevation view.

FIG. 6 is a right side elevation view, the left side elevation views being the same as the rear side elevation view; and,

FIG. 7 is a bottom plan view.

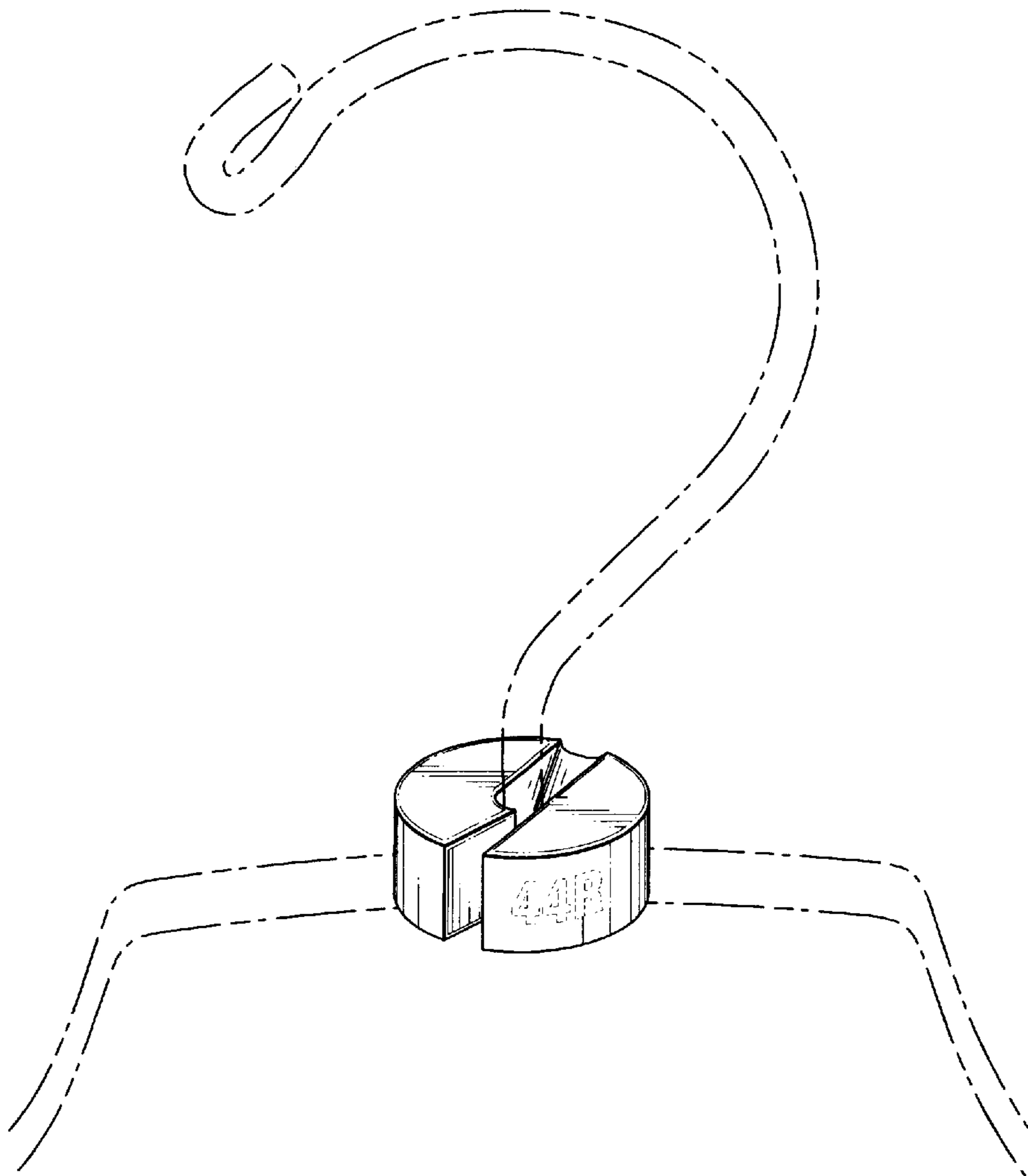
The broken lines in FIG. 1 are for illustrative purposes only and form no part of the claimed design.

[56] **References Cited**

U.S. PATENT DOCUMENTS

D. 244,197	5/1977	Ostroll	D20/28
1,575,775	3/1926	Lesser .	
2,850,819	9/1958	Payne .	
3,535,808	10/1970	Morrish .	
3,898,754	8/1975	Johansson	40/322
4,045,899	9/1977	Richardson	40/322

1 Claim, 2 Drawing Sheets



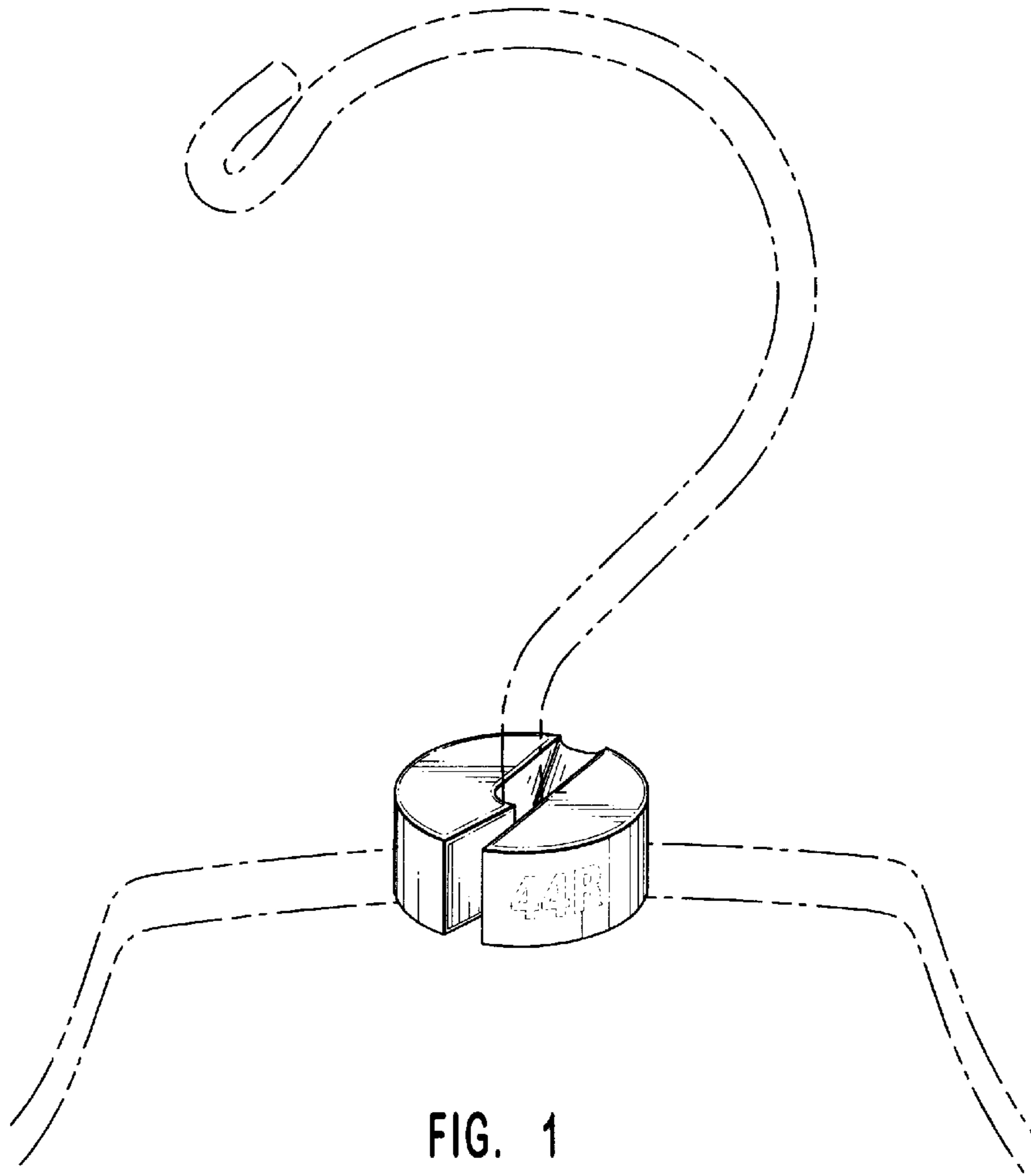


FIG. 1

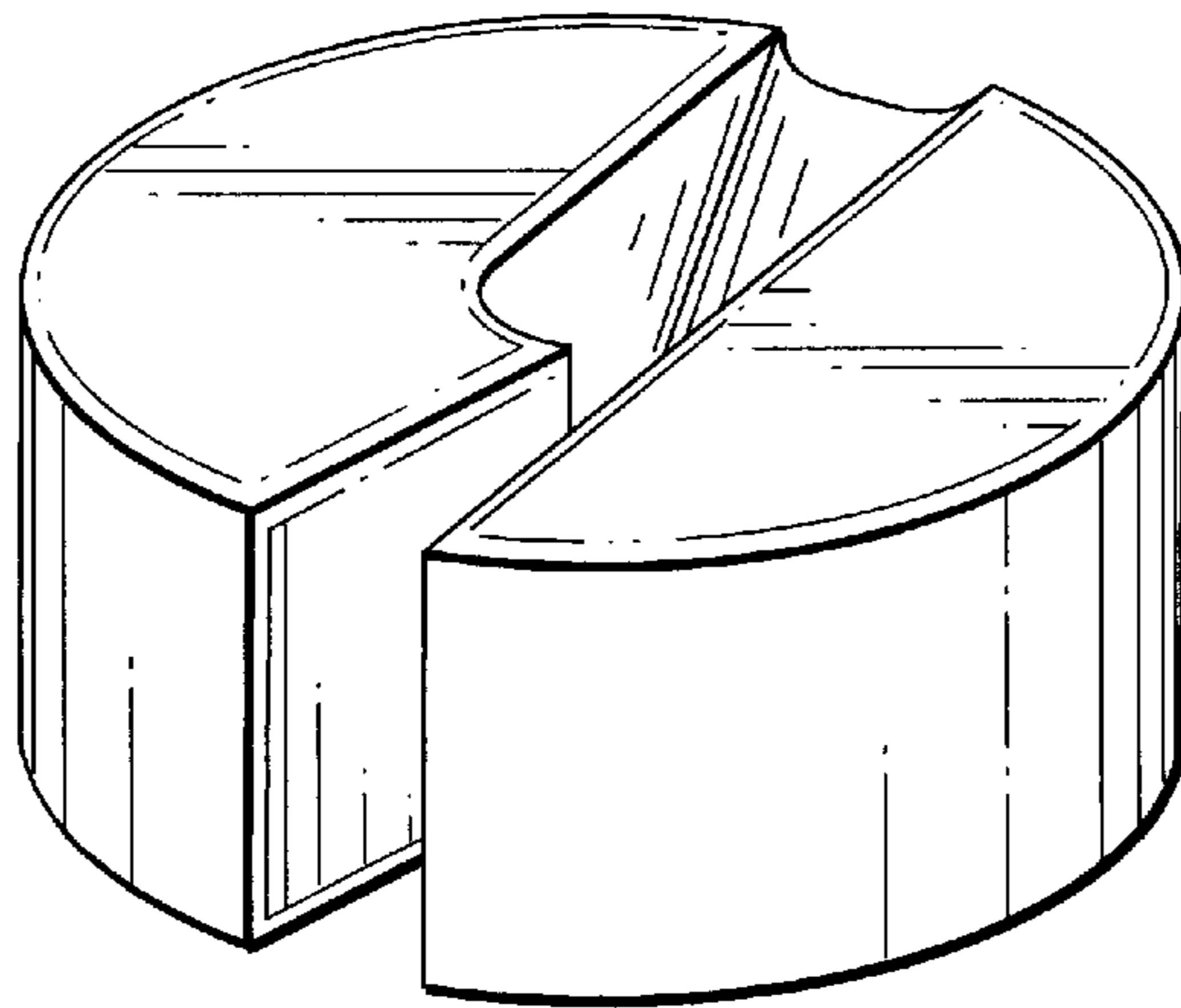


FIG. 2

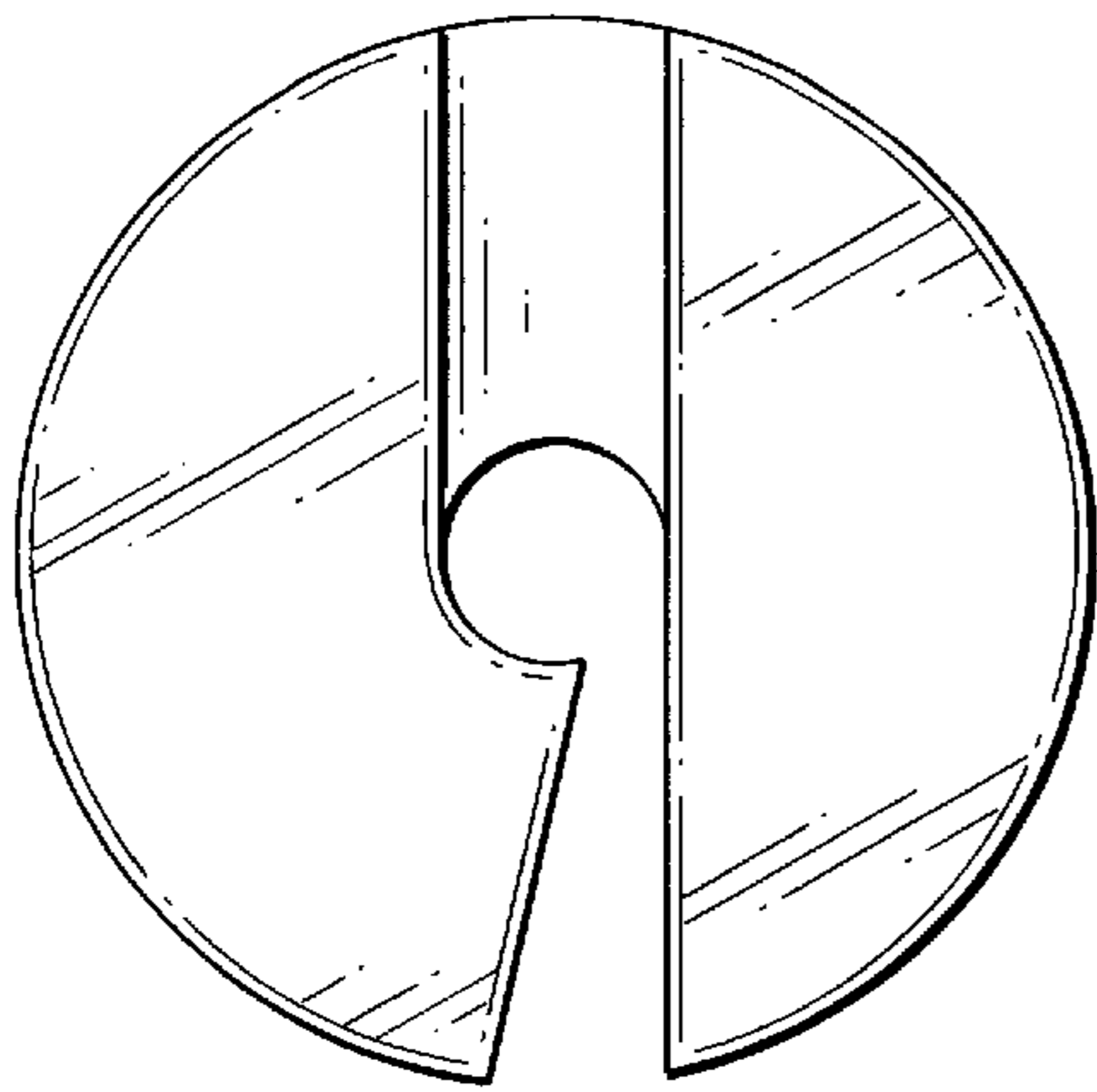


FIG. 3

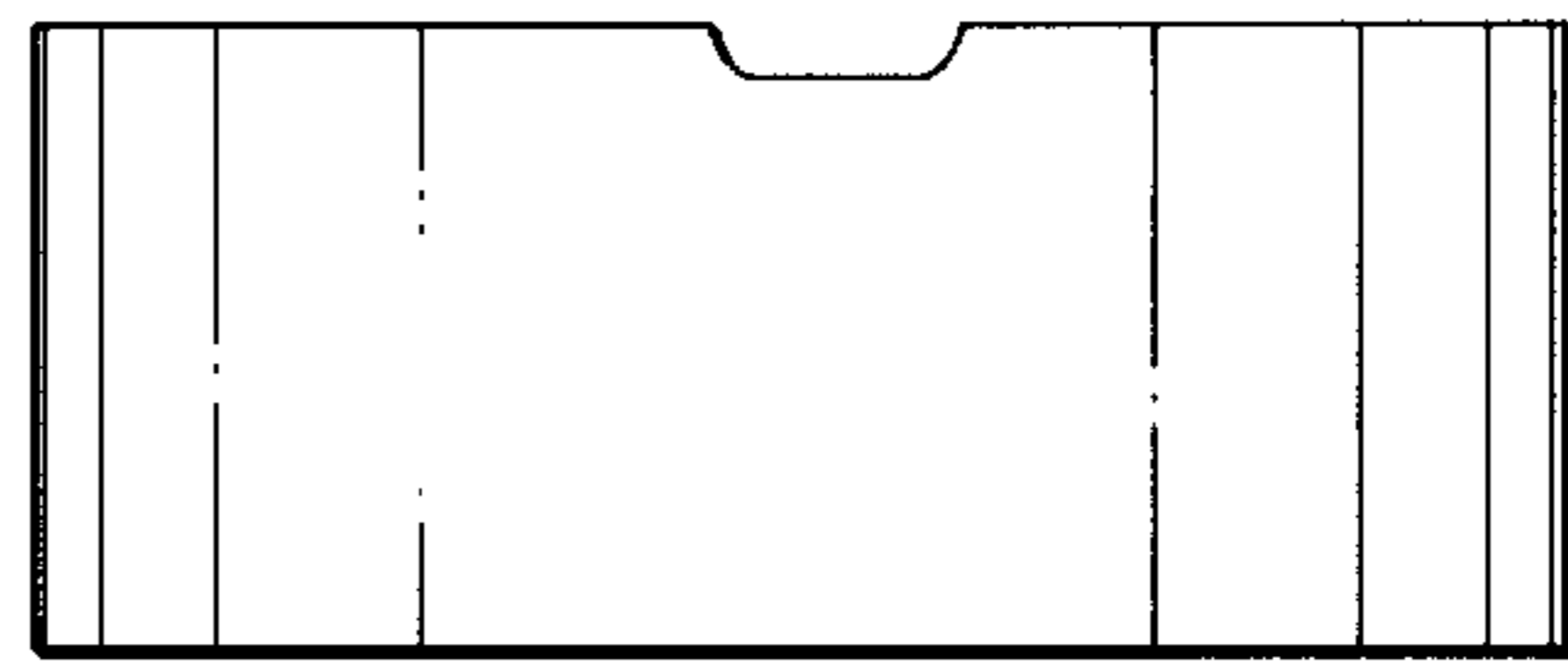


FIG. 5

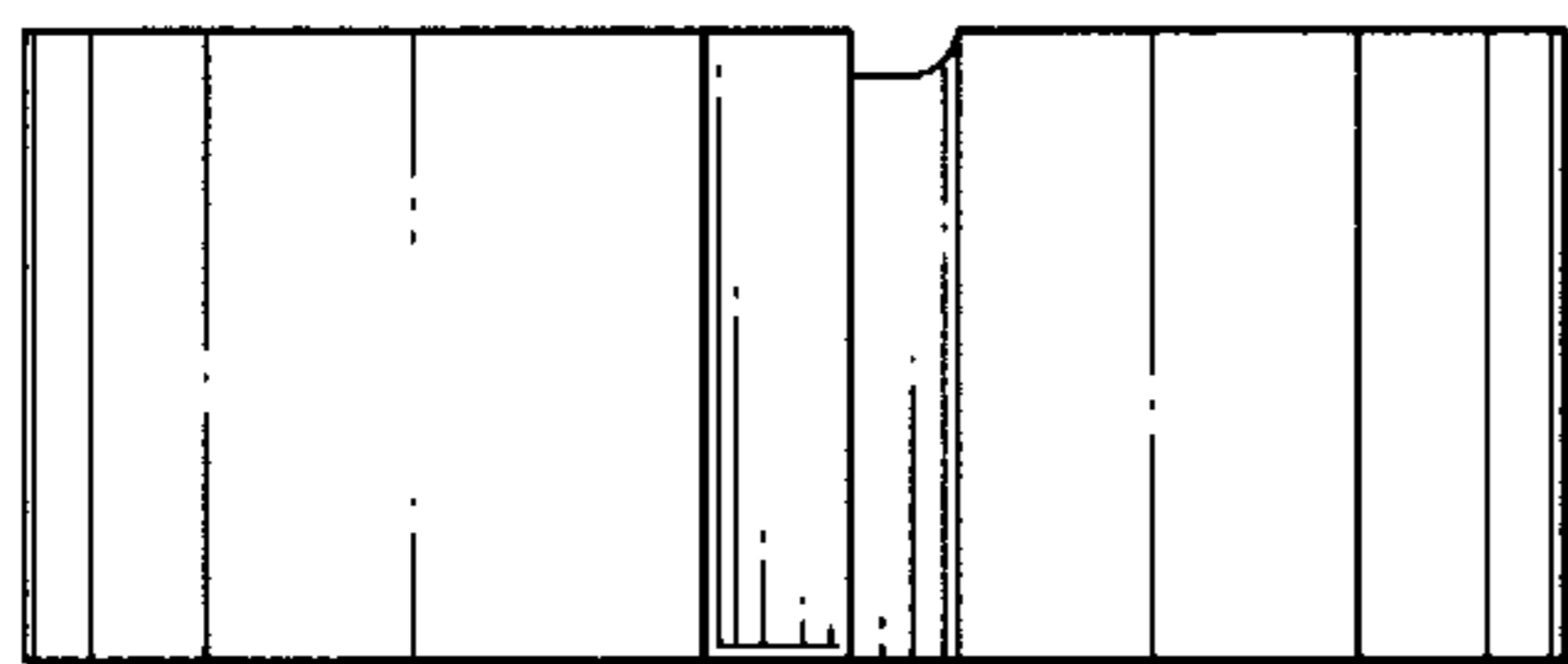


FIG. 4

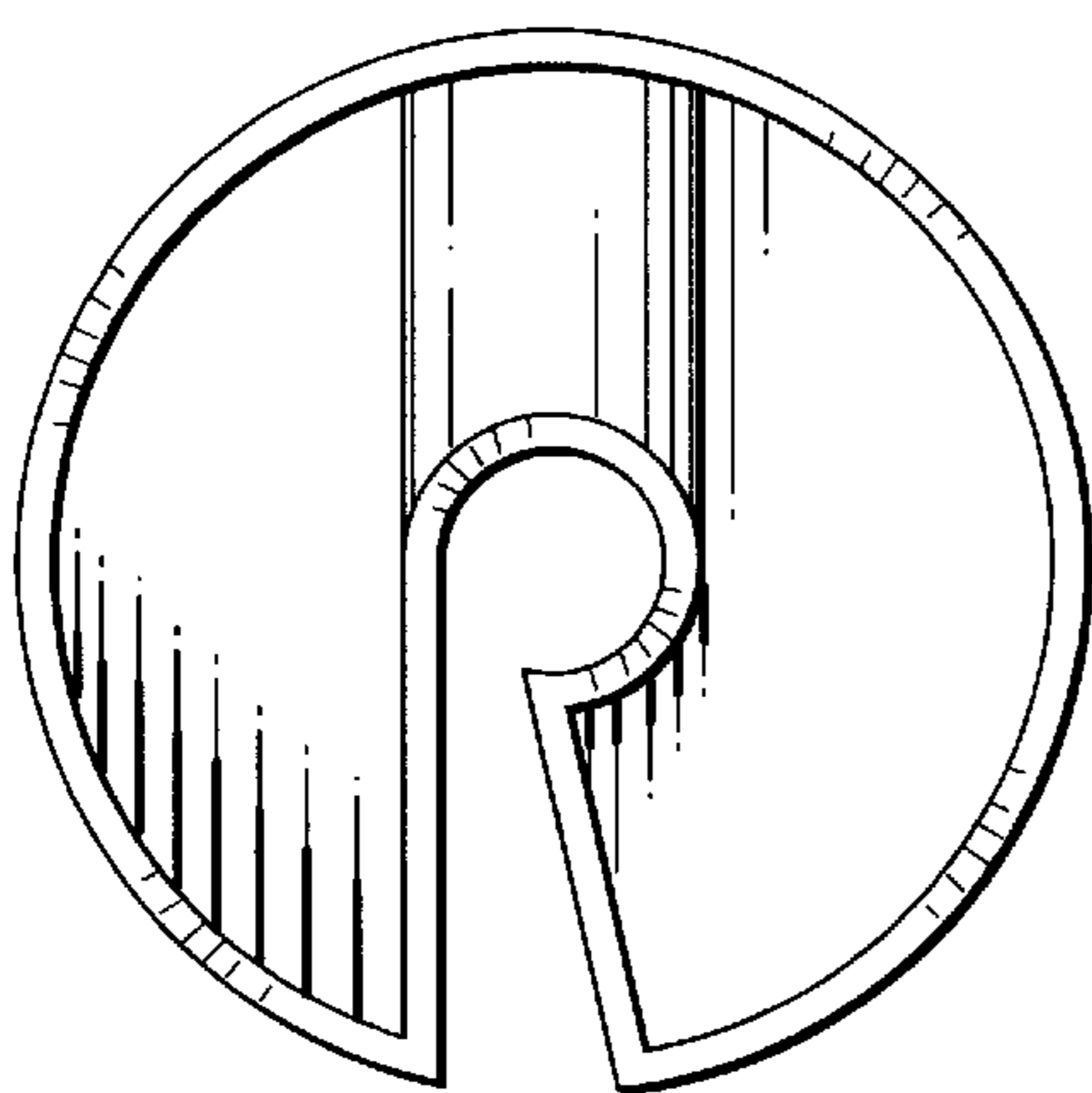


FIG. 7

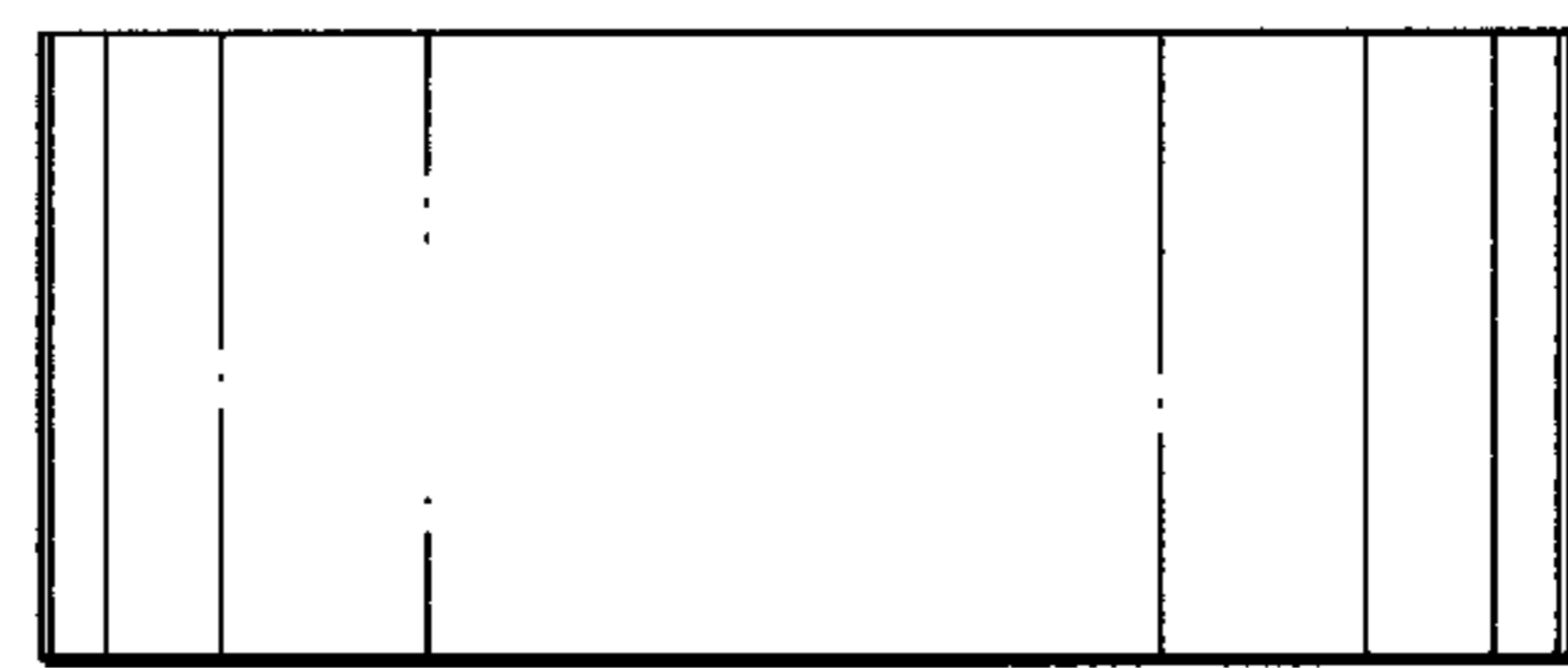


FIG. 6