



US00D423796S

**United States Patent** [19]  
**Kwan**

[11] **Patent Number: Des. 423,796**

[45] **Date of Patent: \*\* May 2, 2000**

[54] **CARD HOLDER AND STAND**

[76] Inventor: **Patrick P. Kwan**, 88 Cascade Key,  
Bellevue, Wash. 98006

[\*\*] Term: **14 Years**

[21] Appl. No.: **29/105,686**

[22] Filed: **Jun. 1, 1999**

[51] **LOC (7) Cl.** ..... **06-07**

[52] **U.S. Cl.** ..... **D6/314; D6/300**

[58] **Field of Search** ..... D6/300-314; D20/10,  
D20/40; 40/661, 700, 711, 732, 735, 745,  
765, 768, 769, 771, 780, 790, 798

[56] **References Cited**

**U.S. PATENT DOCUMENTS**

D. 139,166	10/1944	Cushman	.....	D6/312
D. 396,562	8/1998	Kenney	.....	D6/314
D. 409,246	5/1999	Fereday et al.	.....	D19/96
4,594,802	6/1986	Field	.....	40/661

**OTHER PUBLICATIONS**

Exposures Summer II, 1991, p. 34, #C frame at lower left corner.

Exposures Holiday 1994, p. 13, #J frame at center and right.

*Primary Examiner*—Janice E. Seeger

*Attorney, Agent, or Firm*—Lyon & Lyon LLP

[57] **CLAIM**

The ornamental design for a card holder and stand, as shown and described.

**DESCRIPTION**

FIG. 1 is a perspective view of a card holder showing my design;

FIG. 2 is a front view thereof;

FIG. 3 is a rear view thereof;

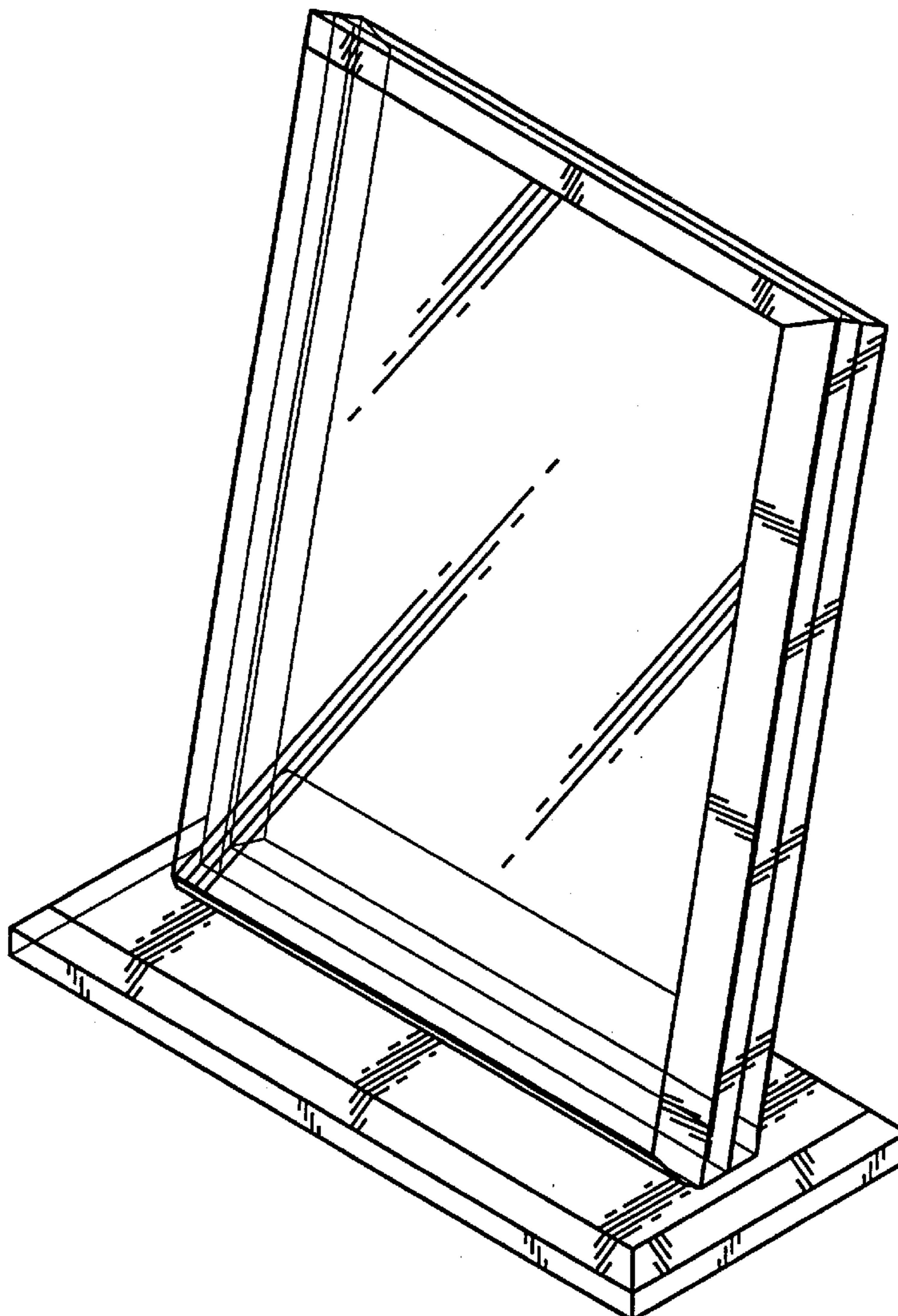
FIG. 4 is a right side view thereof;

FIG. 5 is a left side view thereof;

FIG. 6 is a top view thereof; and,

FIG. 7 is a bottom view thereof.

**1 Claim, 2 Drawing Sheets**



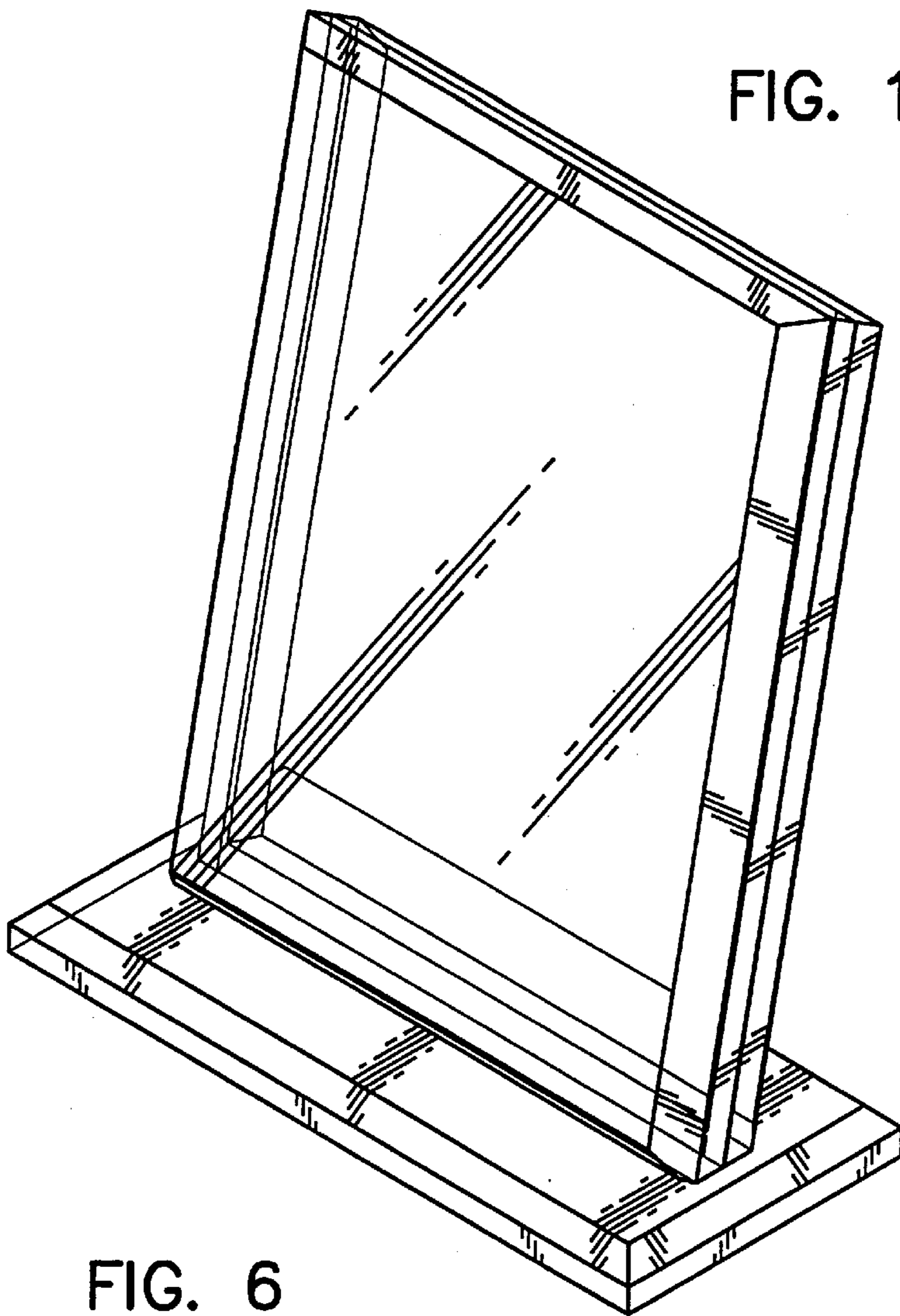


FIG. 1

FIG. 6

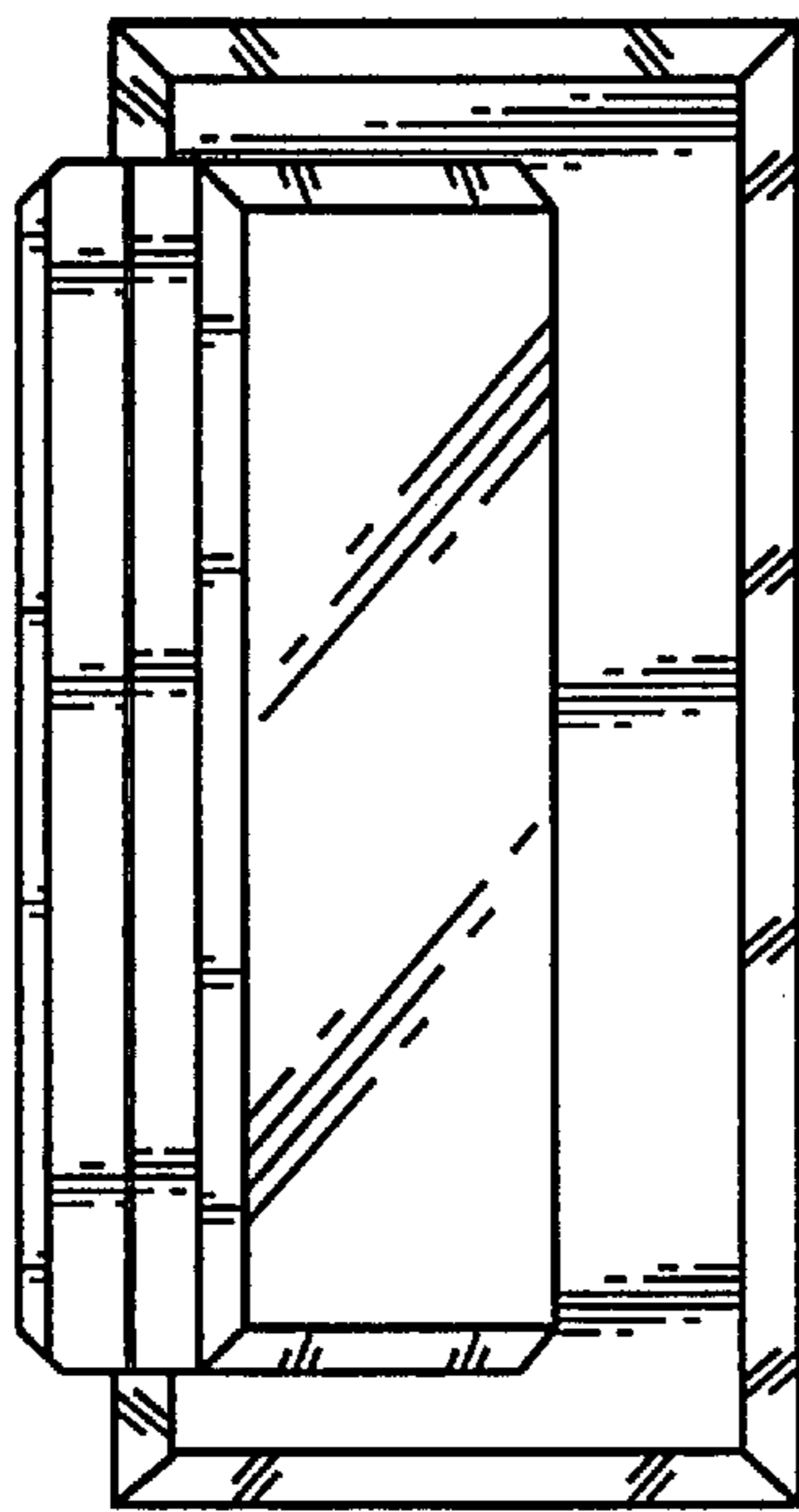


FIG. 7

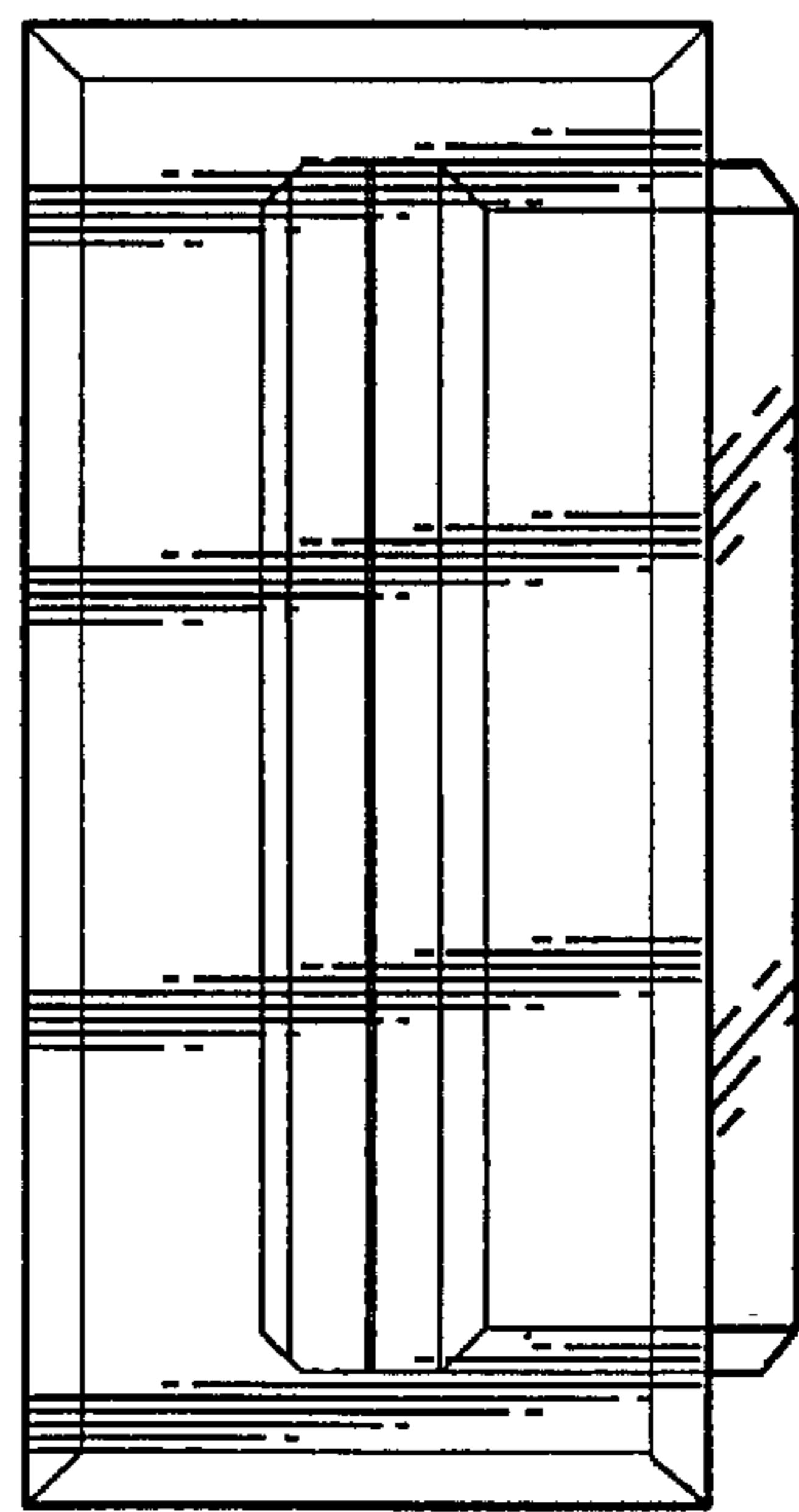


FIG. 2

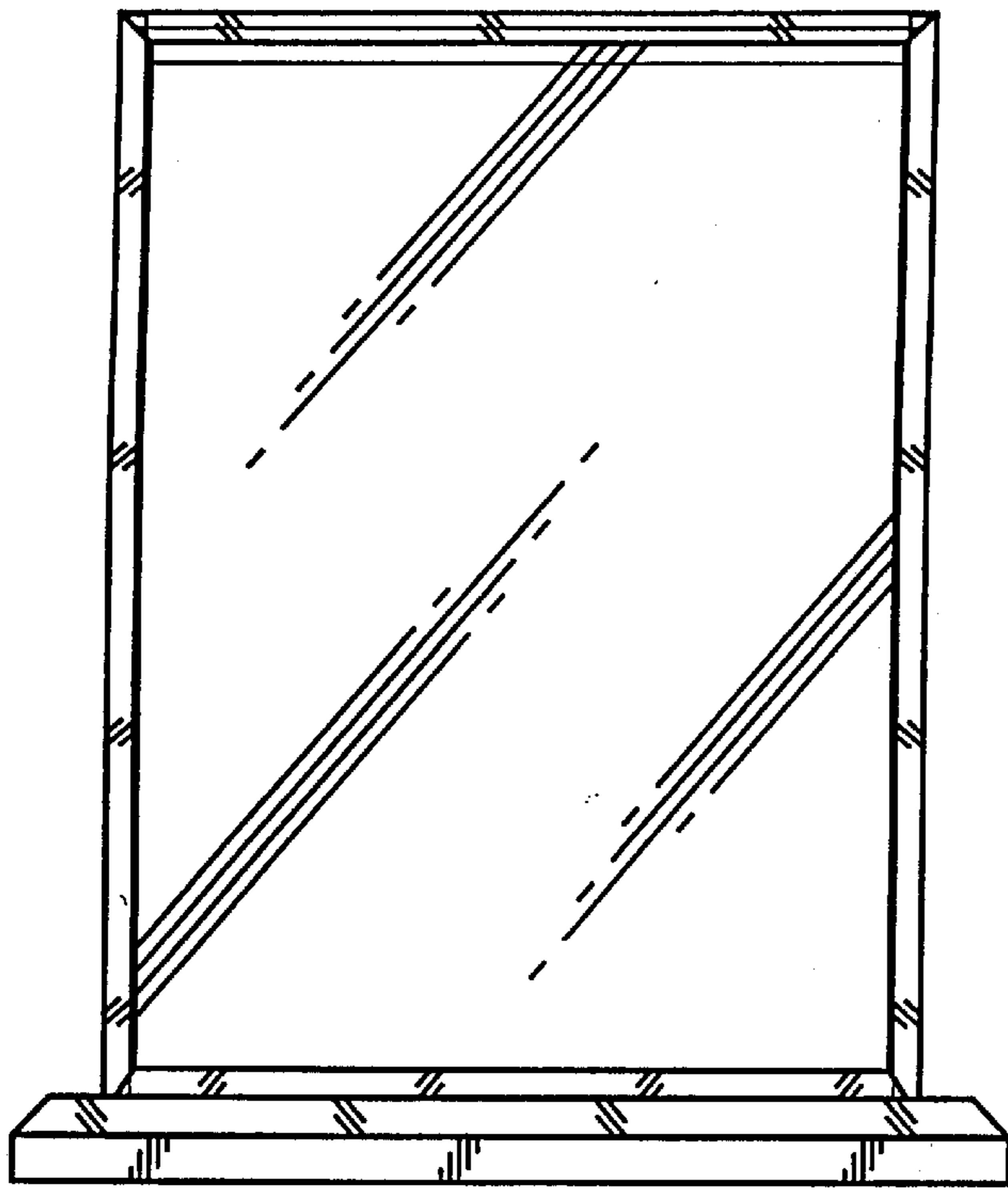


FIG. 4

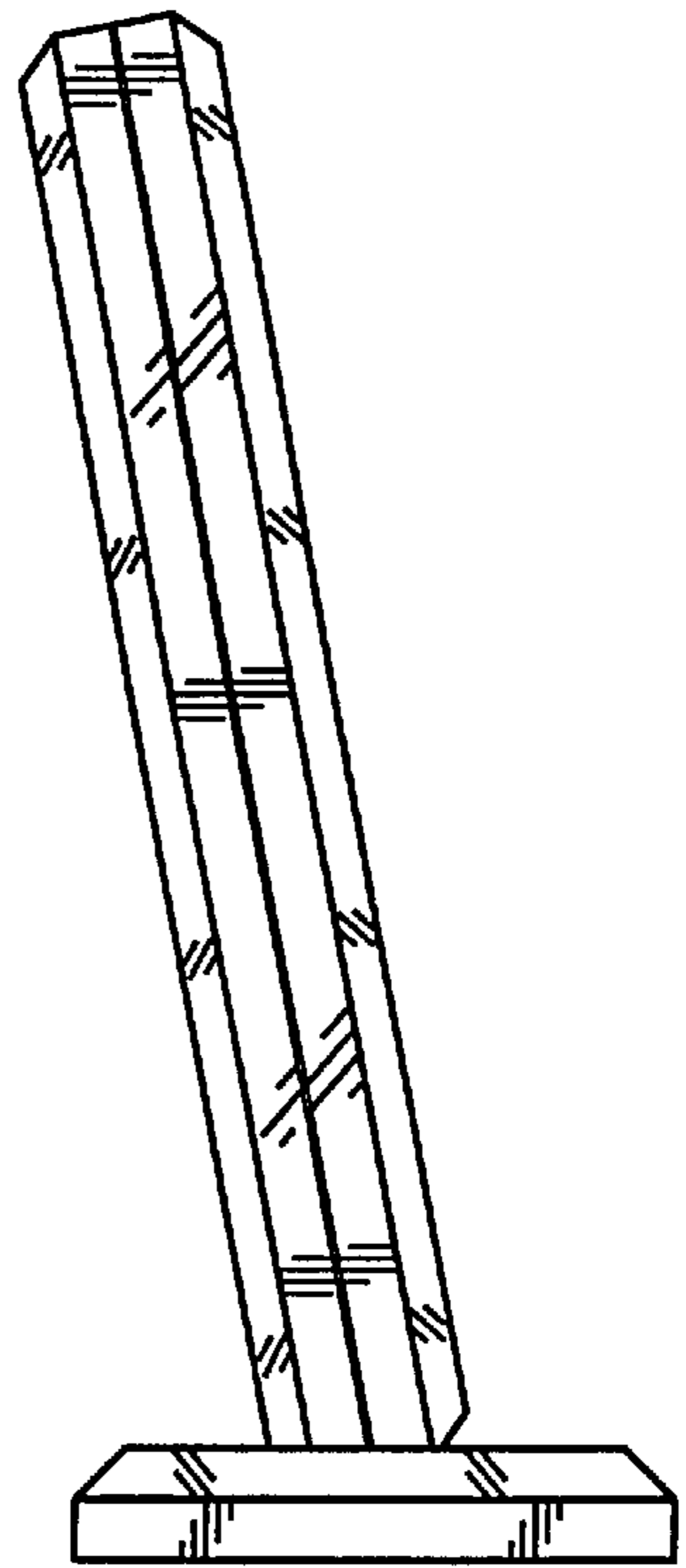


FIG. 3

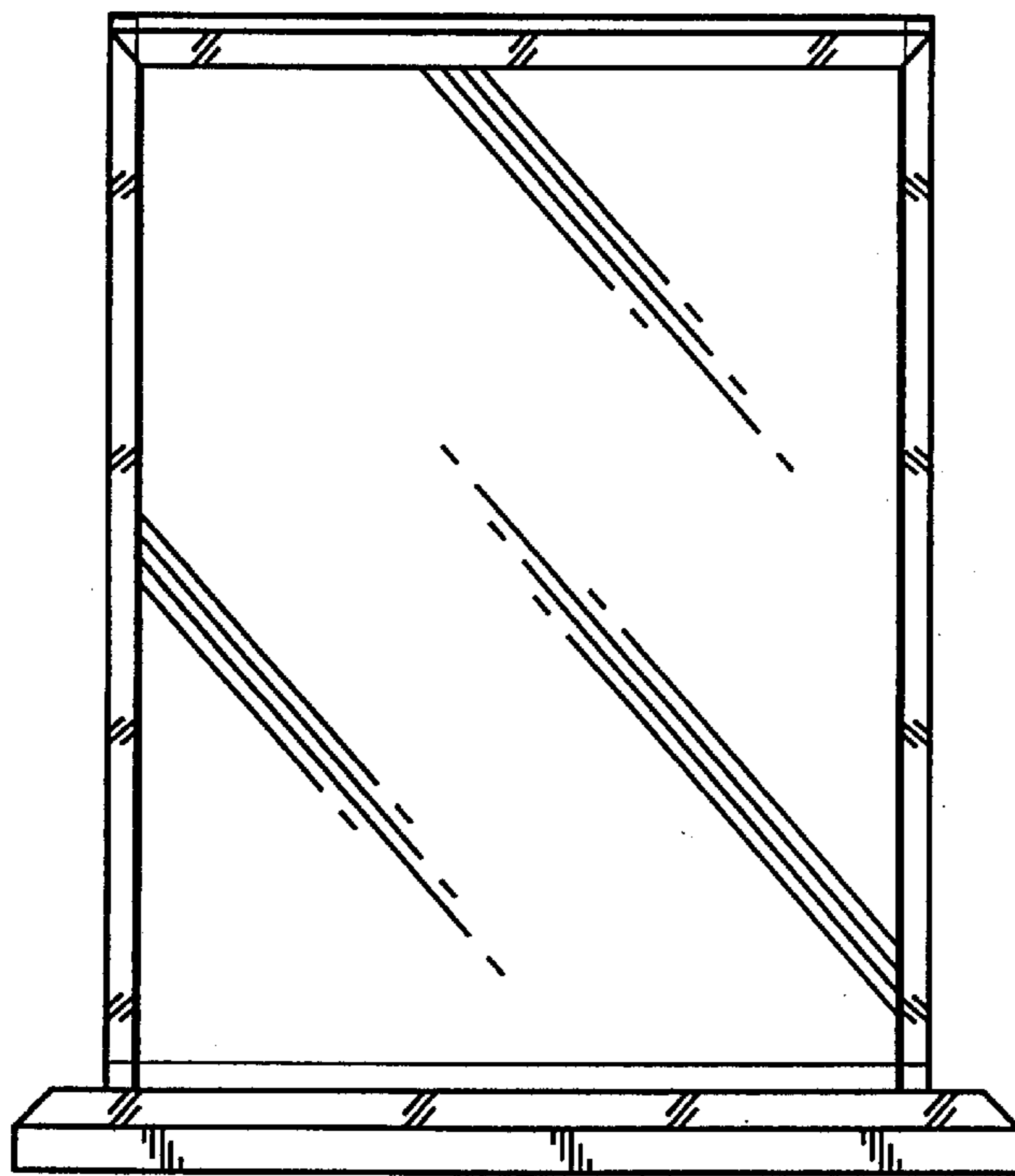


FIG. 5

