



US00D423794S

**United States Patent** [19]  
**Brownfield**

[11] **Patent Number: Des. 423,794**

[45] **Date of Patent: \*\* May 2, 2000**

[54] **FRAME FOR AN ART OBJECT**

D. 369,042 4/1996 Kinar ..... D6/470  
2,960,786 11/1960 Wagner ..... D20/10

[76] Inventor: **Timothy M. Brownfield**, 16661  
Townhouse Dr., Tustin, Calif. 92680

*Primary Examiner*—Janice E. Seeger  
*Attorney, Agent, or Firm*—Edward E. Roberts

[\*\*] Term: **14 Years**

[57] **CLAIM**

[21] Appl. No.: **29/104,667**

The ornamental design for a frame for an art object, as shown and described.

[22] Filed: **May 10, 1999**

**DESCRIPTION**

[51] **LOC (7) Cl.** ..... **06-07**

[52] **U.S. Cl.** ..... **D6/300**

[58] **Field of Search** ..... D6/300–314, 470;  
D20/10, 40; 40/700, 711, 714, 716, 723,  
732, 735, 745, 765, 768, 769, 771, 780,  
790, 798

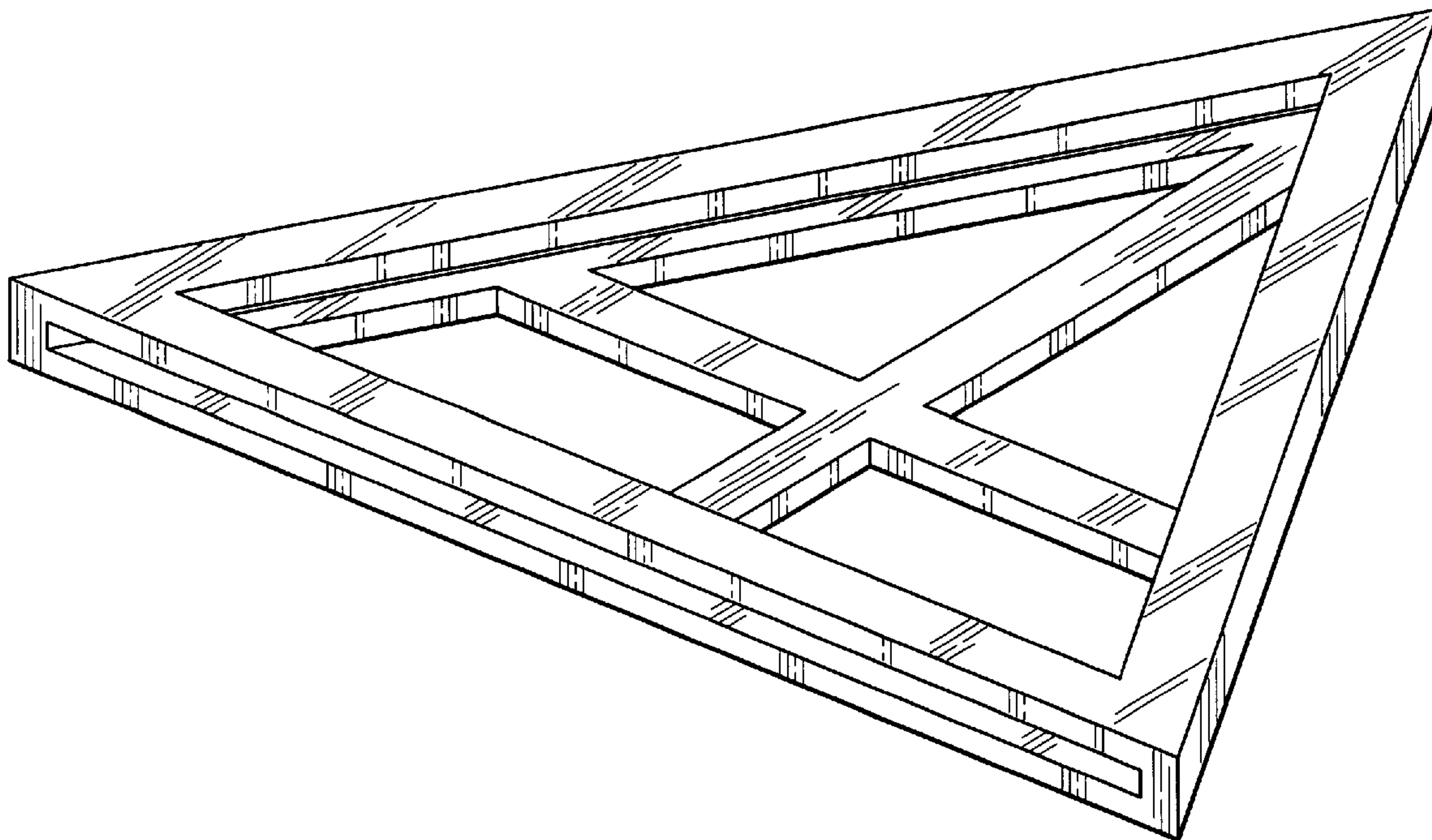
FIG. 1 is a perspective view of a frame for an art object showing my new design;  
FIG. 2 is a back elevational view thereof;  
FIG. 3 is a cross-sectional view taken along lines 3–3 I of FIG. 2;  
FIG. 4 is a front elevational view thereof;  
FIG. 5 is a right side elevational view thereof;  
FIG. 6 is a top view thereof; and,  
FIG. 7 is a bottom view thereof.

[56] **References Cited**

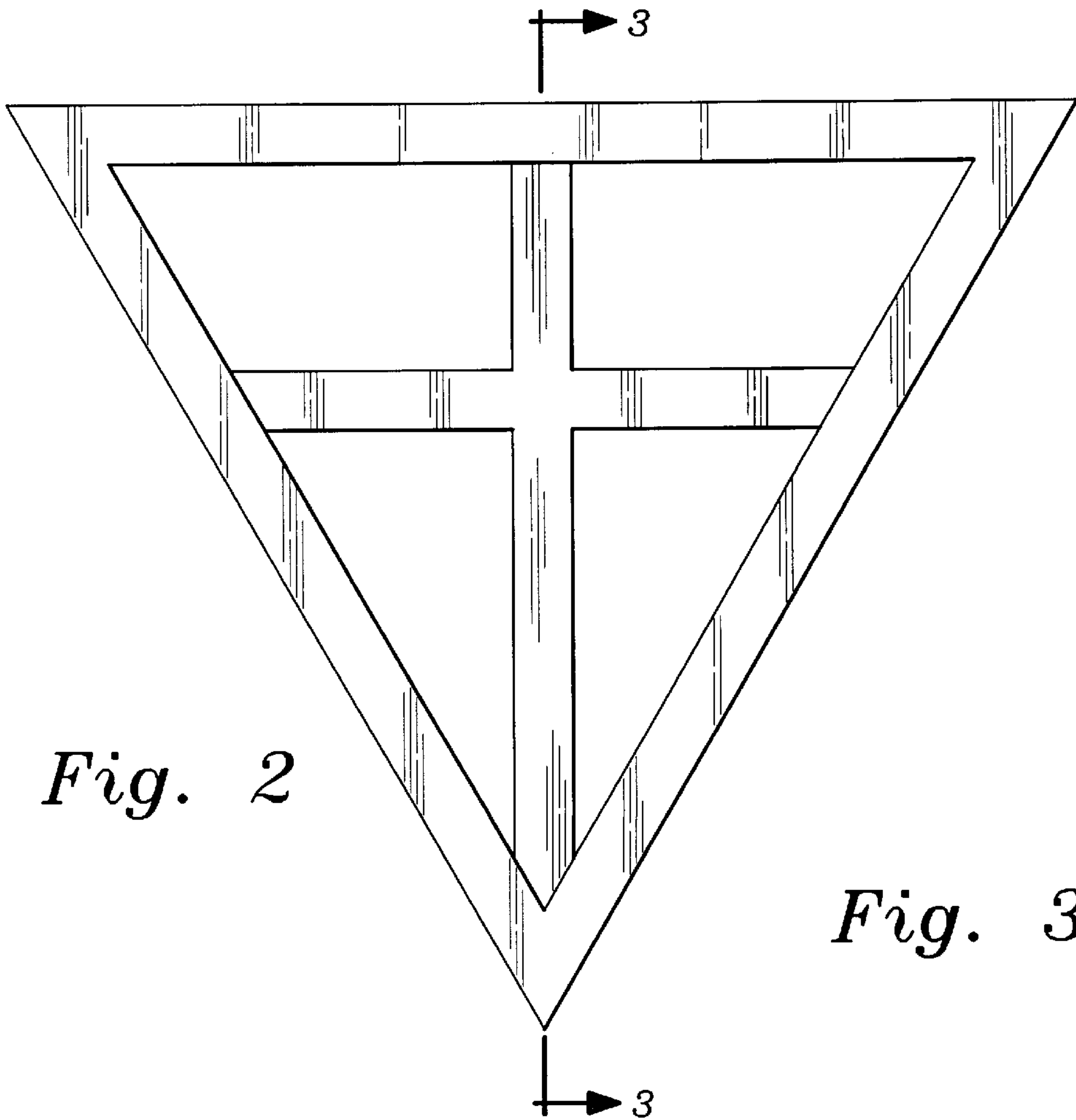
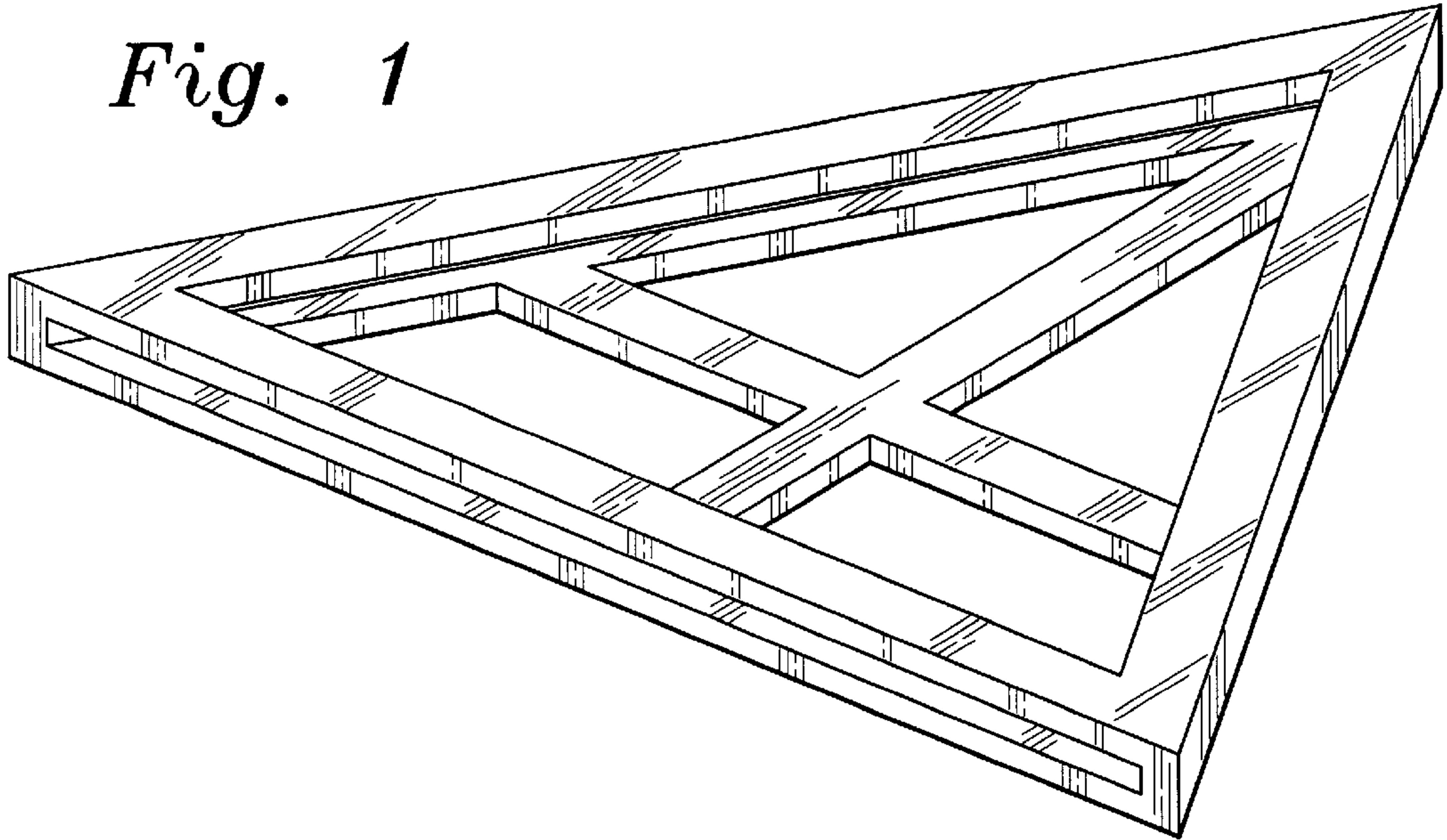
**U.S. PATENT DOCUMENTS**

D. 344,188 2/1994 Dominguez et al. .... D6/303  
D. 356,420 3/1995 Burke, Jr. .... D6/302 X

**1 Claim, 2 Drawing Sheets**



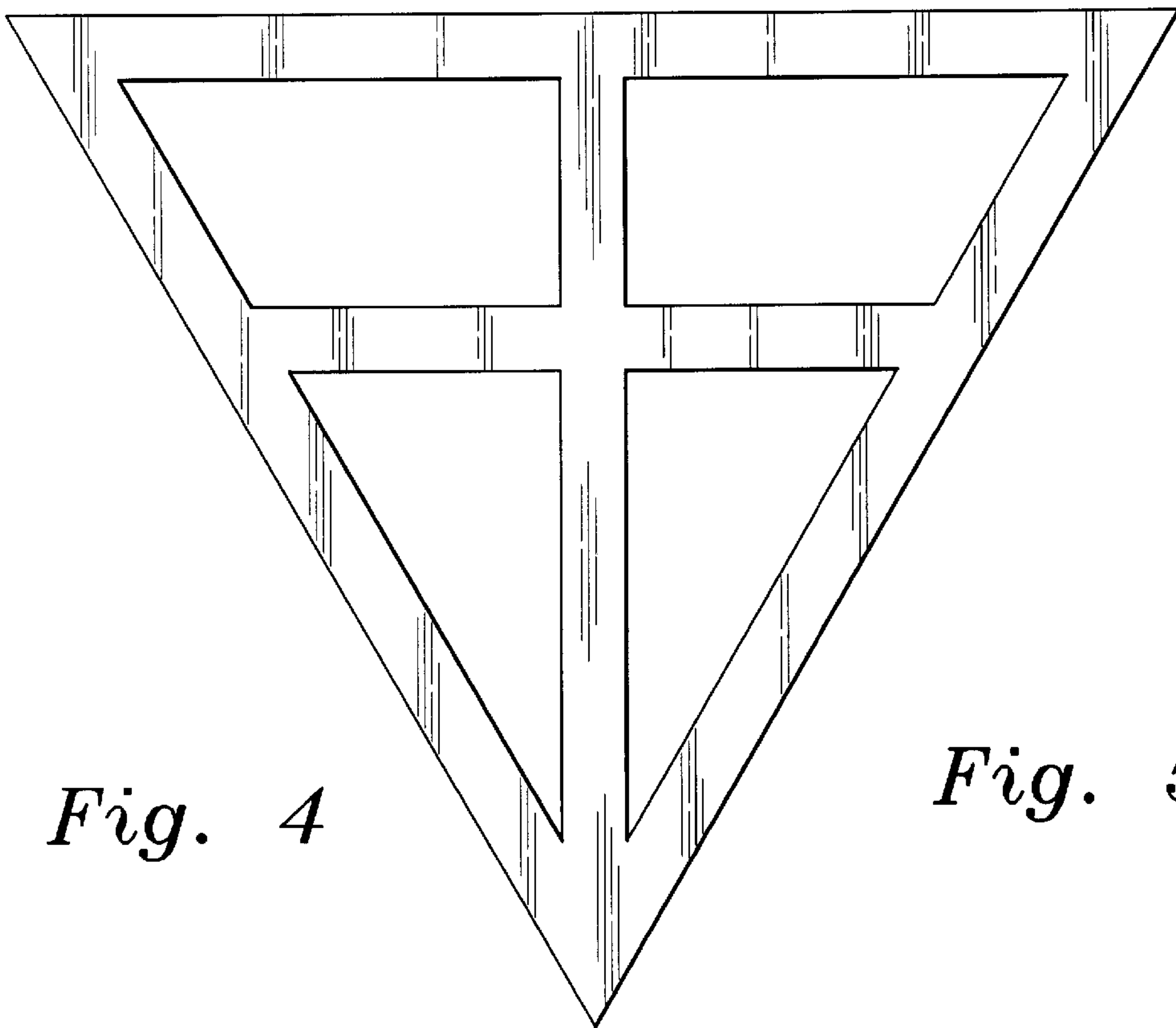
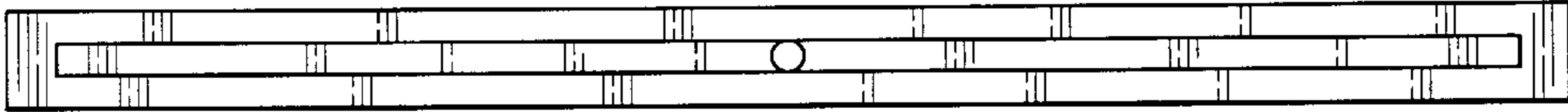
*Fig. 1*



*Fig. 2*

*Fig. 3*

*Fig. 6*



*Fig. 4*

*Fig. 5*

*Fig. 7*

