



US00D423793S

# United States Patent [19] Jackson

[11] Patent Number: Des. 423,793

[45] Date of Patent: \*\* May 2, 2000

[54] PICTURE DISPLAY APPARATUS

[76] Inventor: David Aubrey Jackson, 14435 Benefit St. Unit One, Sherman Oaks, Calif. 91423

[\*\*] Term: 14 Years

[21] Appl. No.: 29/100,724

[22] Filed: Feb. 17, 1999

[51] LOC (7) Cl. .... 06-07

[52] U.S. Cl. .... D6/300; D6/313

[58] Field of Search ..... D6/300-304, 308-314; D20/10, 40; 40/700, 711, 745, 765, 768-770, 780, 790, 798; 248/144.1

[56] References Cited

U.S. PATENT DOCUMENTS

D. 227,848	7/1973	Schneider	.....	D6/300
D. 265,786	8/1982	Angell	.....	D6/313
D. 361,897	9/1995	Jackson	.....	D6/300

Primary Examiner—Janice E. Seeger

[57] CLAIM

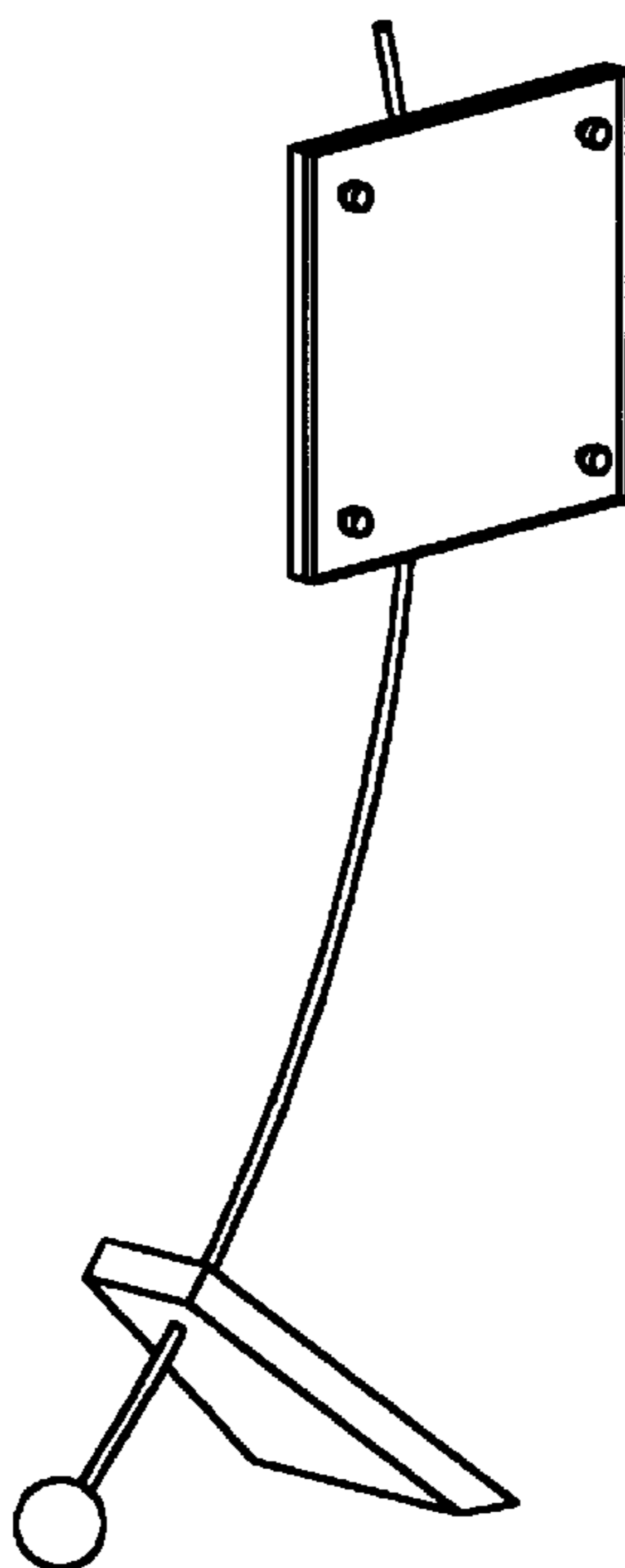
The ornamental design for a picture display apparatus, as shown and described.

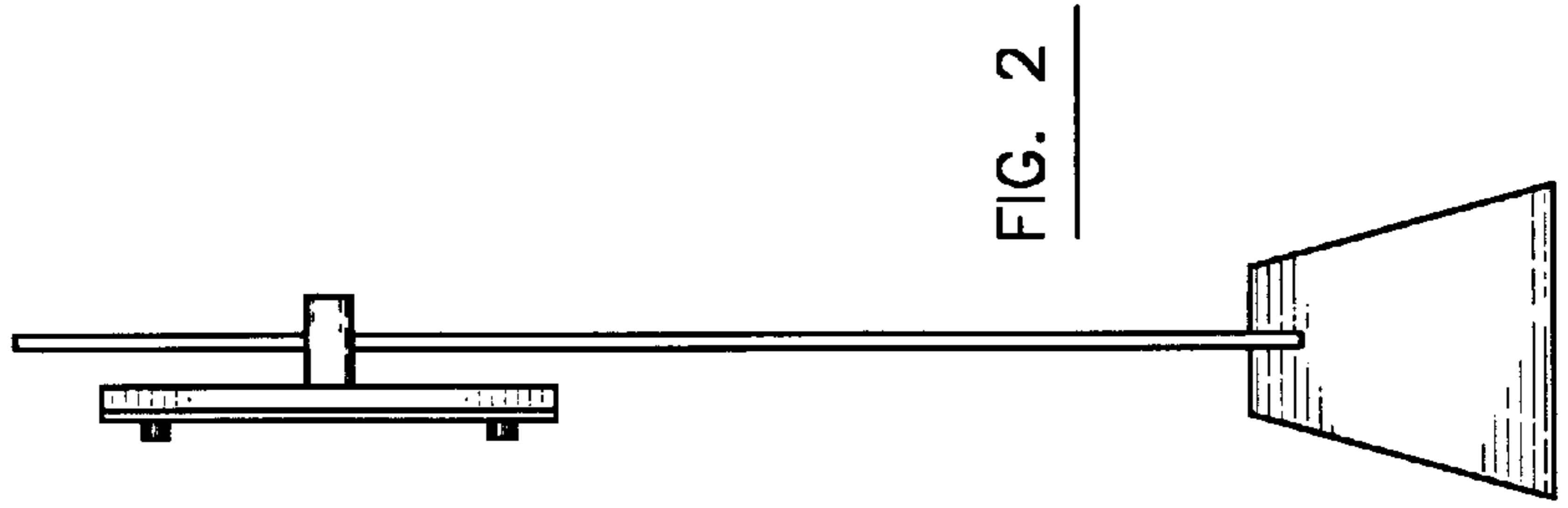
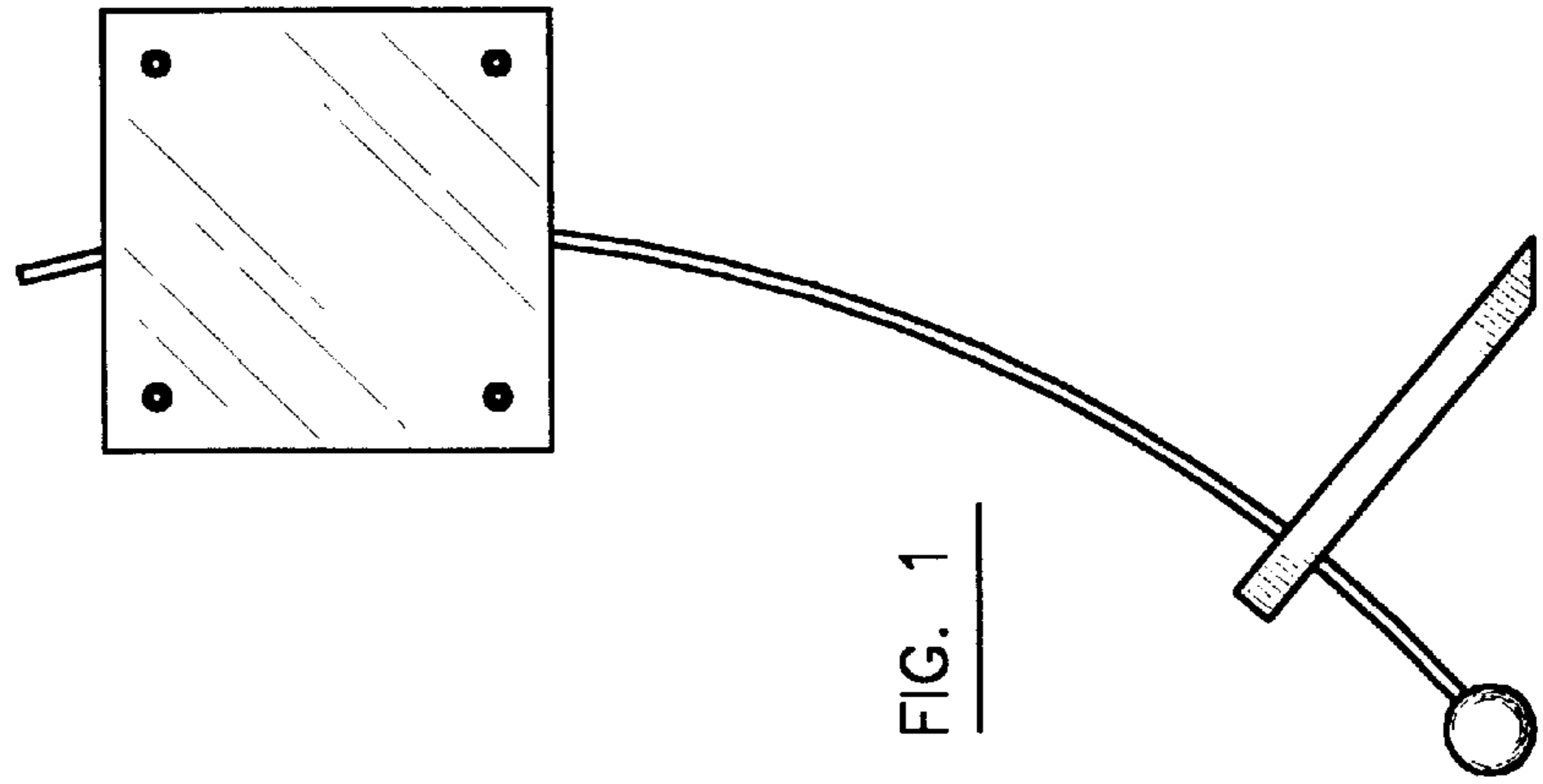
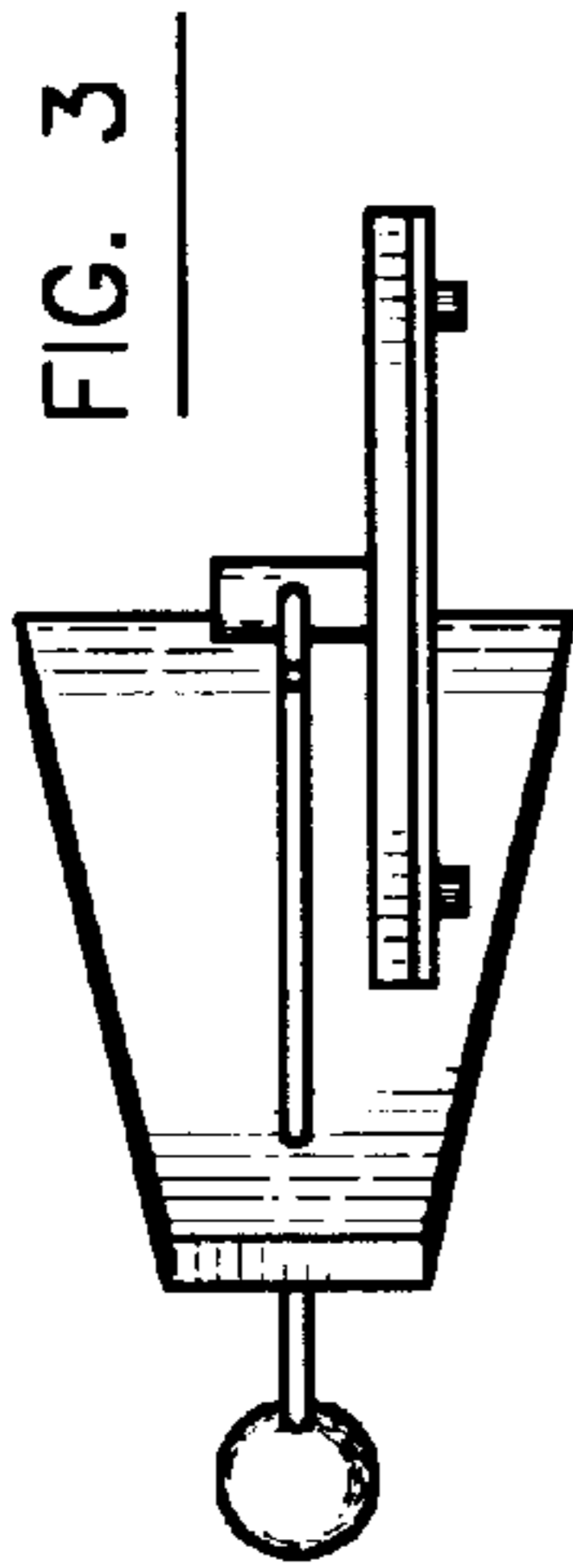
DESCRIPTION

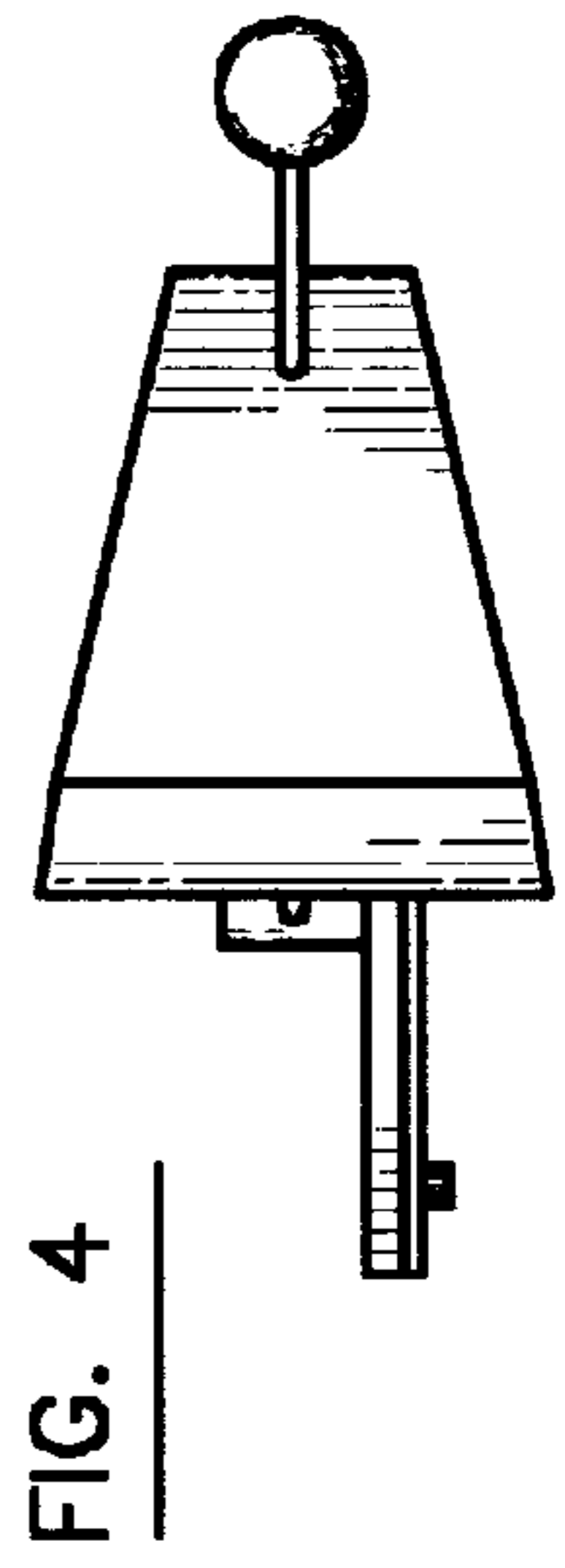
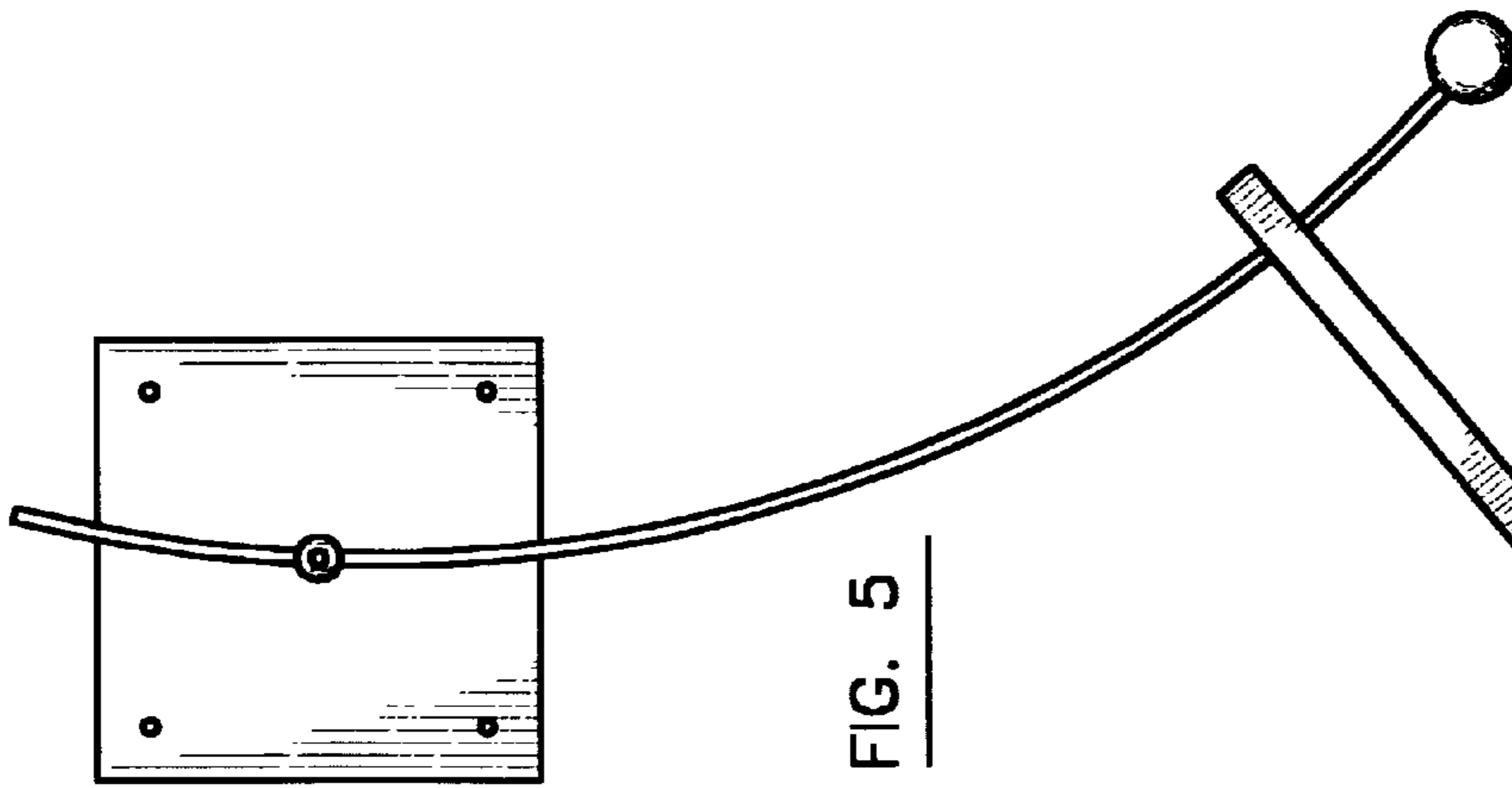
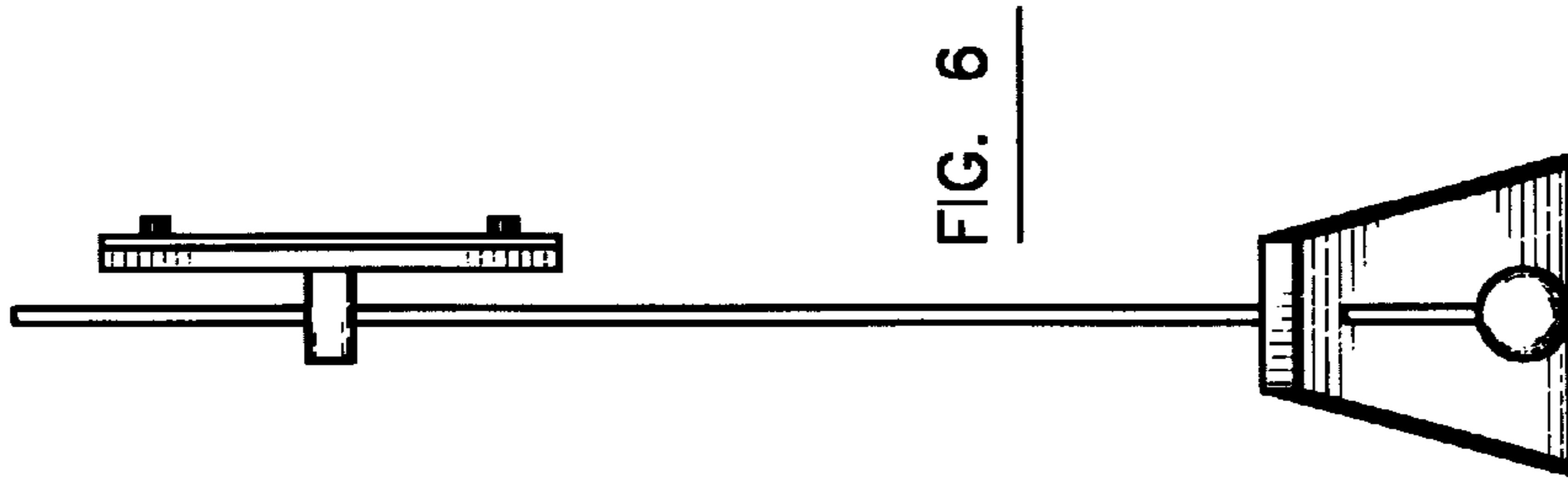
FIG. 1 is a front elevation view of a picture display apparatus;  
FIG. 2 is one side view thereof;  
FIG. 3 is a top view thereof;  
FIG. 4 is a bottom view thereof;  
FIG. 5 is a rear view thereof;  
FIG. 6 is the opposite side view thereof;

FIG. 7 is a rear perspective view thereof;  
FIG. 8 is a front perspective view thereof;  
FIG. 9 is a front elevation view of an alternate embodiment of a picture display apparatus;  
FIG. 10 is one side of the apparatus of FIG. 9;  
FIG. 11 is a top view of the apparatus of FIG. 9;  
FIG. 12 is a bottom of the apparatus of FIG. 9;  
FIG. 13 is a rear view of the apparatus of FIG. 9;  
FIG. 14 is the opposite side view of the apparatus of FIG. 9;  
FIG. 15 is a rear perspective view of the apparatus of FIG. 9;  
FIG. 16 is a front perspective view of the apparatus of FIG. 9;  
FIG. 17 is a front elevation view of another alternate embodiment of a picture display apparatus;  
FIG. 18 is one side of the apparatus of FIG. 17;  
FIG. 19 is a top view of the apparatus of FIG. 17;  
FIG. 20 is a bottom of the apparatus of FIG. 17;  
FIG. 21 is a rear view of the apparatus of FIG. 17;  
FIG. 22 is the opposite side view of the apparatus of FIG. 17;  
FIG. 23 is a rear perspective view of the apparatus of FIG. 17;  
FIG. 24 is a front perspective view of the apparatus of FIG. 17;  
FIG. 25 is a front elevation view of another alternate embodiment of a picture display apparatus;  
FIG. 26 is one side of the apparatus of FIG. 25;  
FIG. 27 is a top view of the apparatus of FIG. 25;  
FIG. 28 is a bottom of the apparatus of FIG. 25;  
FIG. 29 is a rear view of the apparatus of FIG. 25;  
FIG. 30 is the opposite side view of the apparatus of FIG. 25;  
FIG. 31 is rear perspective view of the apparatus of FIG. 25;  
and,  
FIG. 32 is a front perspective view of the apparatus of FIG. 25.

1 Claim, 12 Drawing Sheets







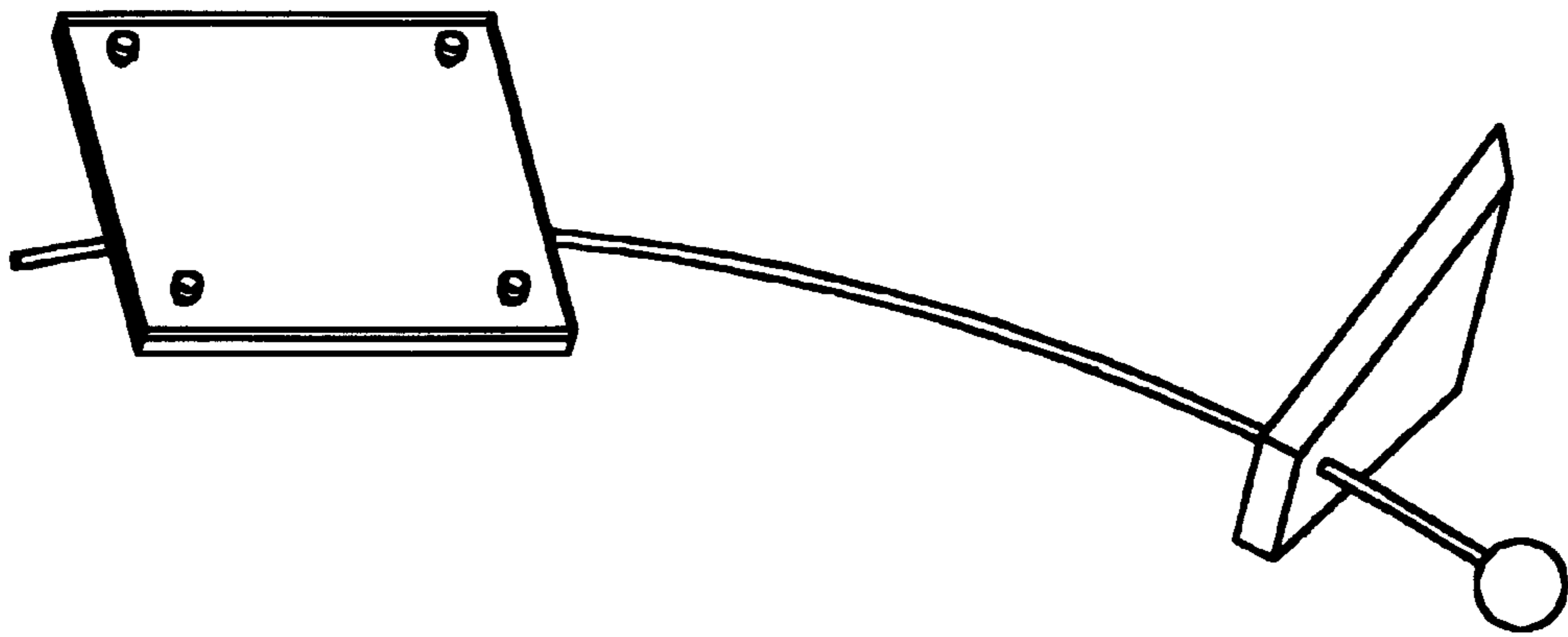


FIG. 8

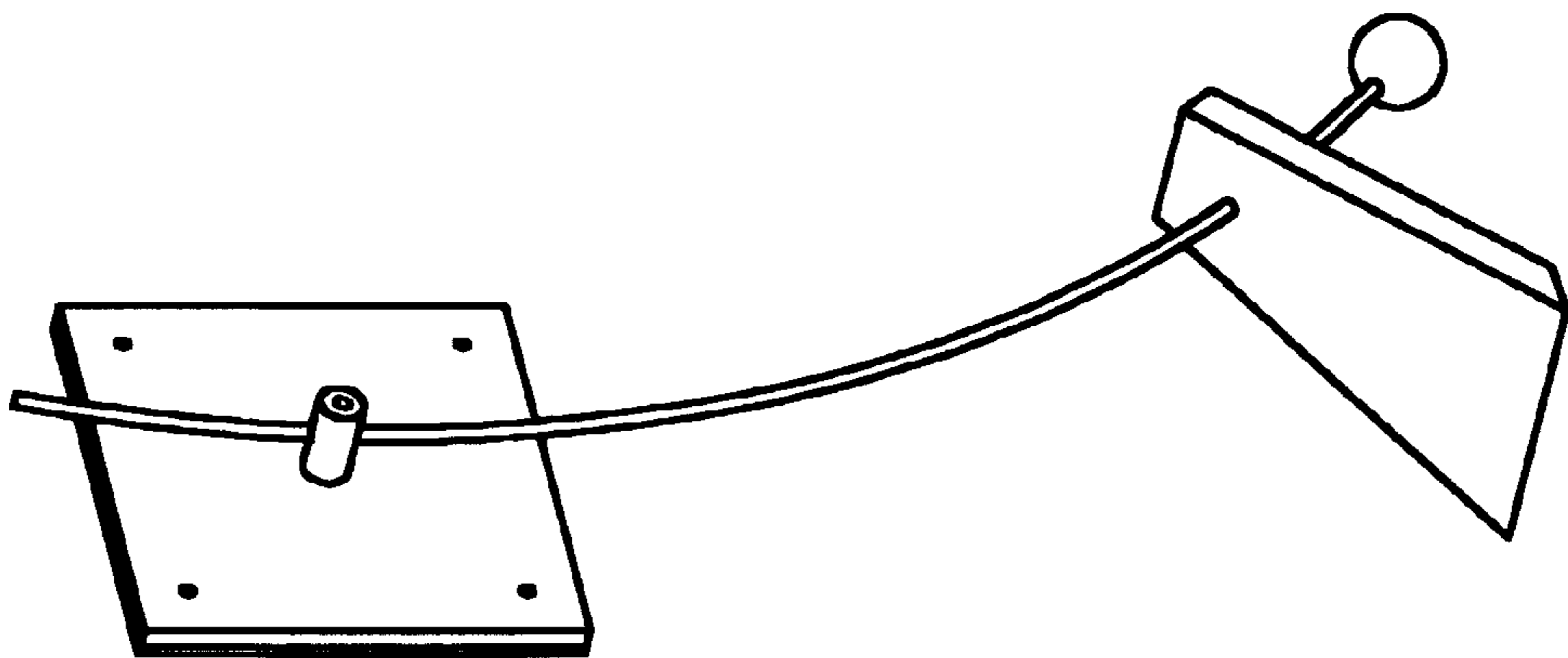


FIG. 7

FIG. 11

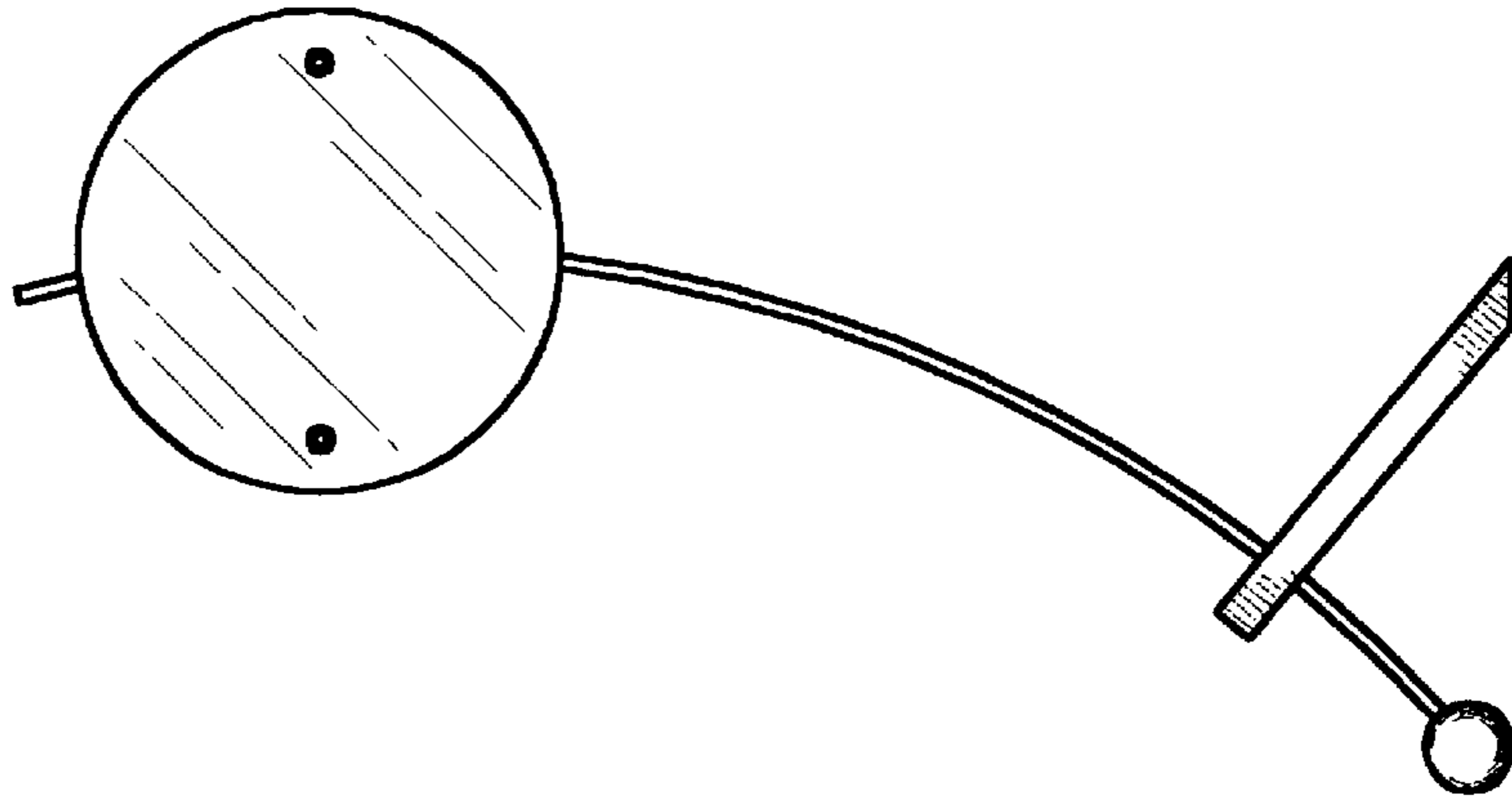
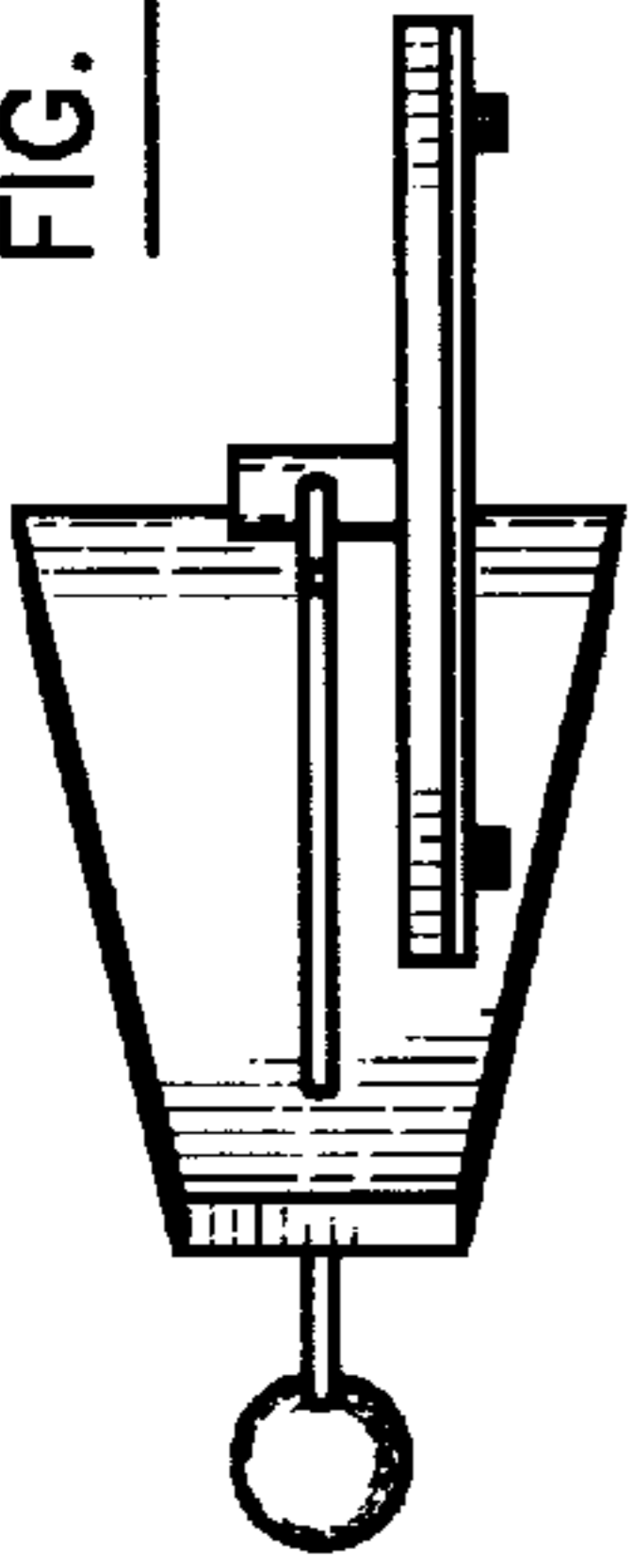


FIG. 9

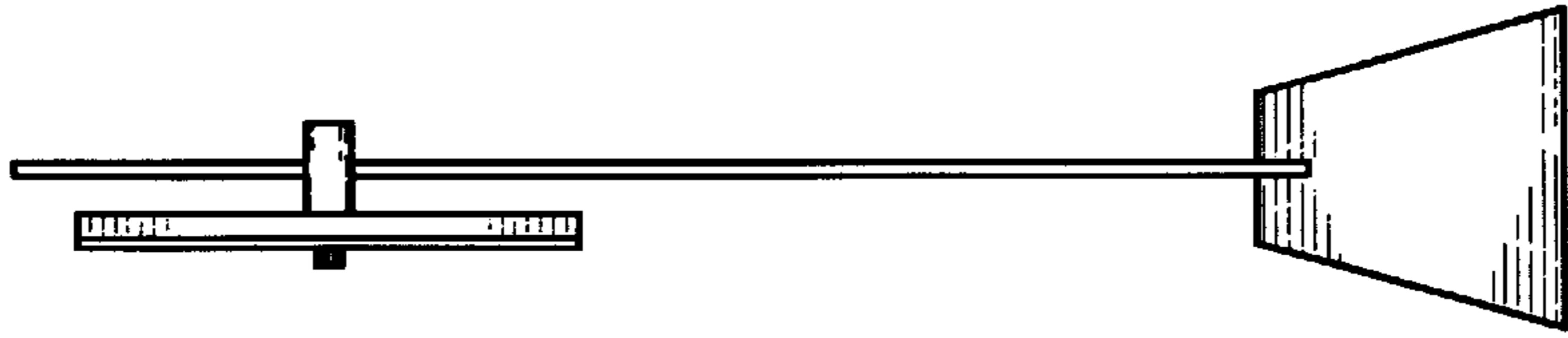


FIG. 10

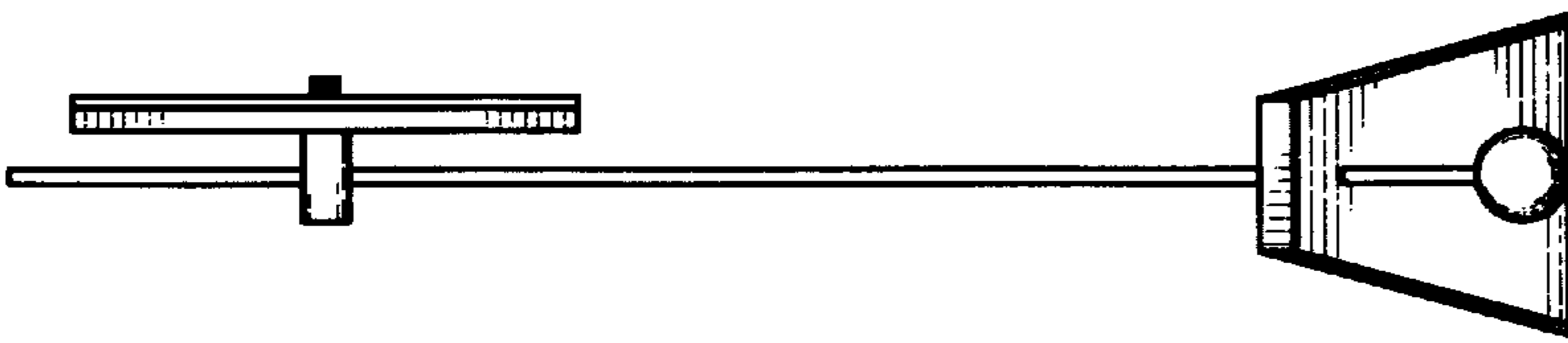


FIG. 14

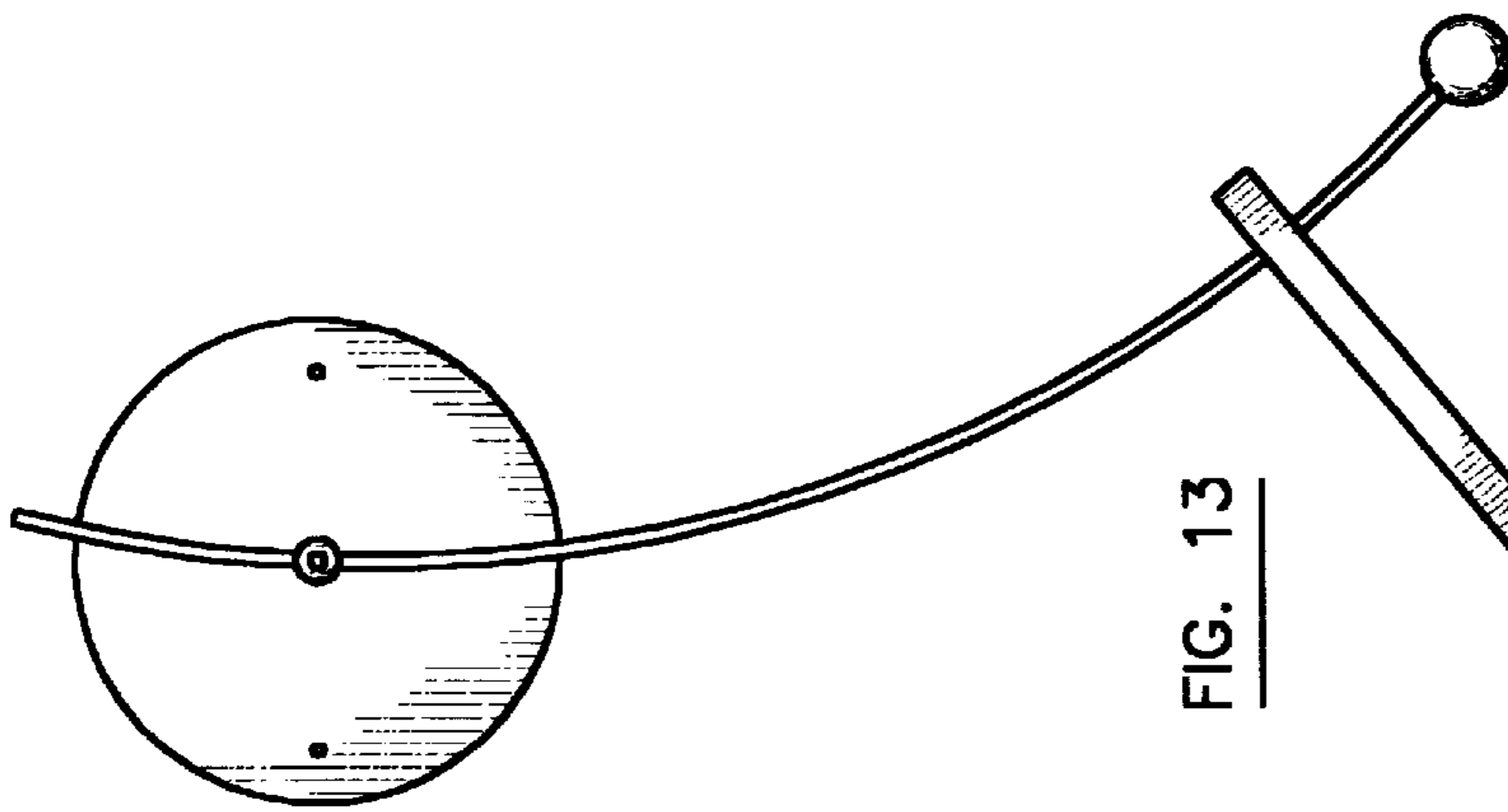


FIG. 13

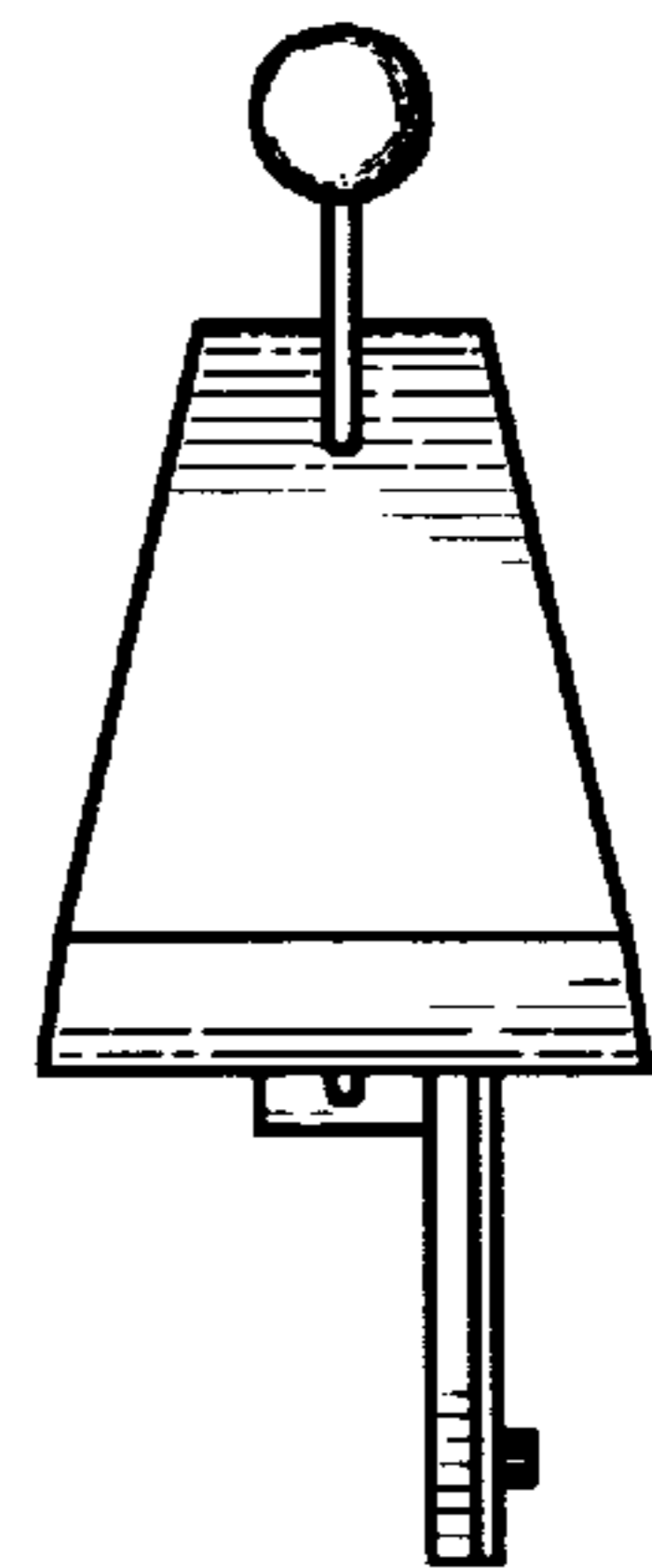


FIG. 12

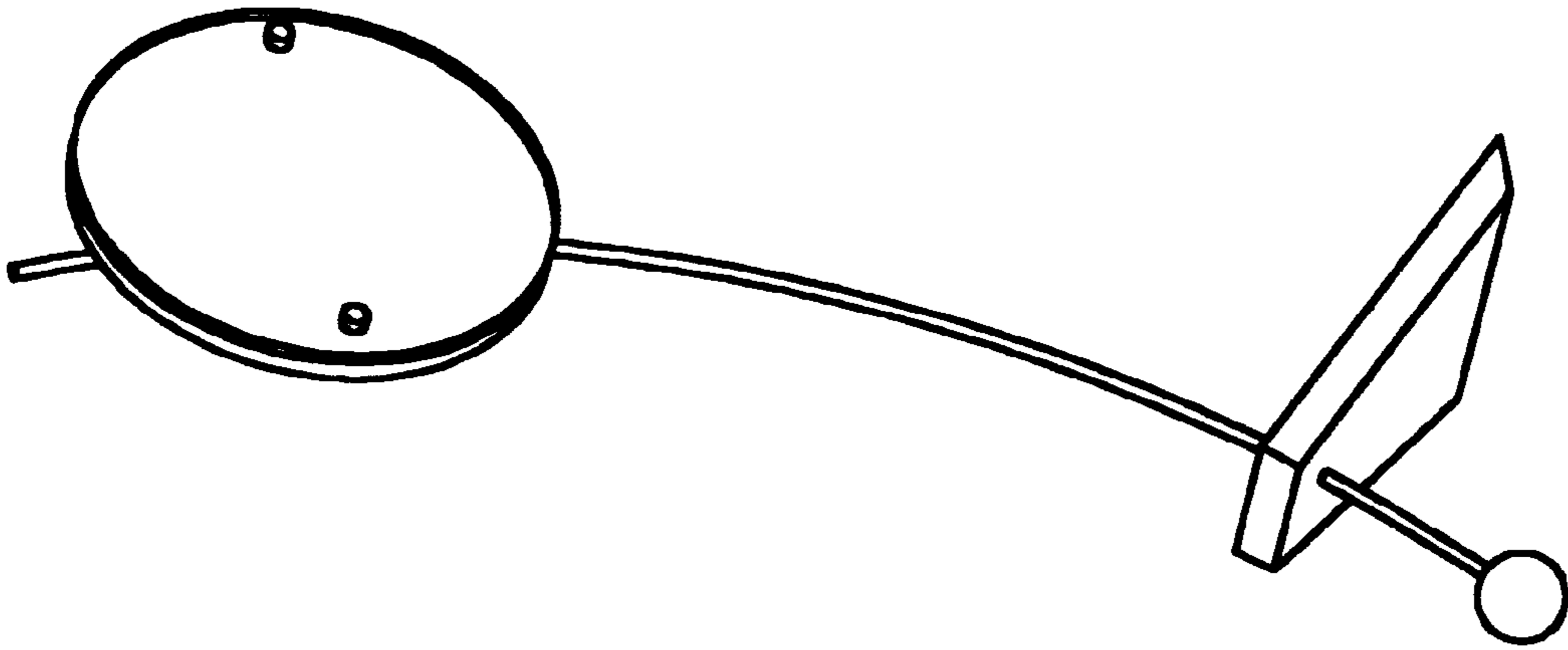


FIG. 16

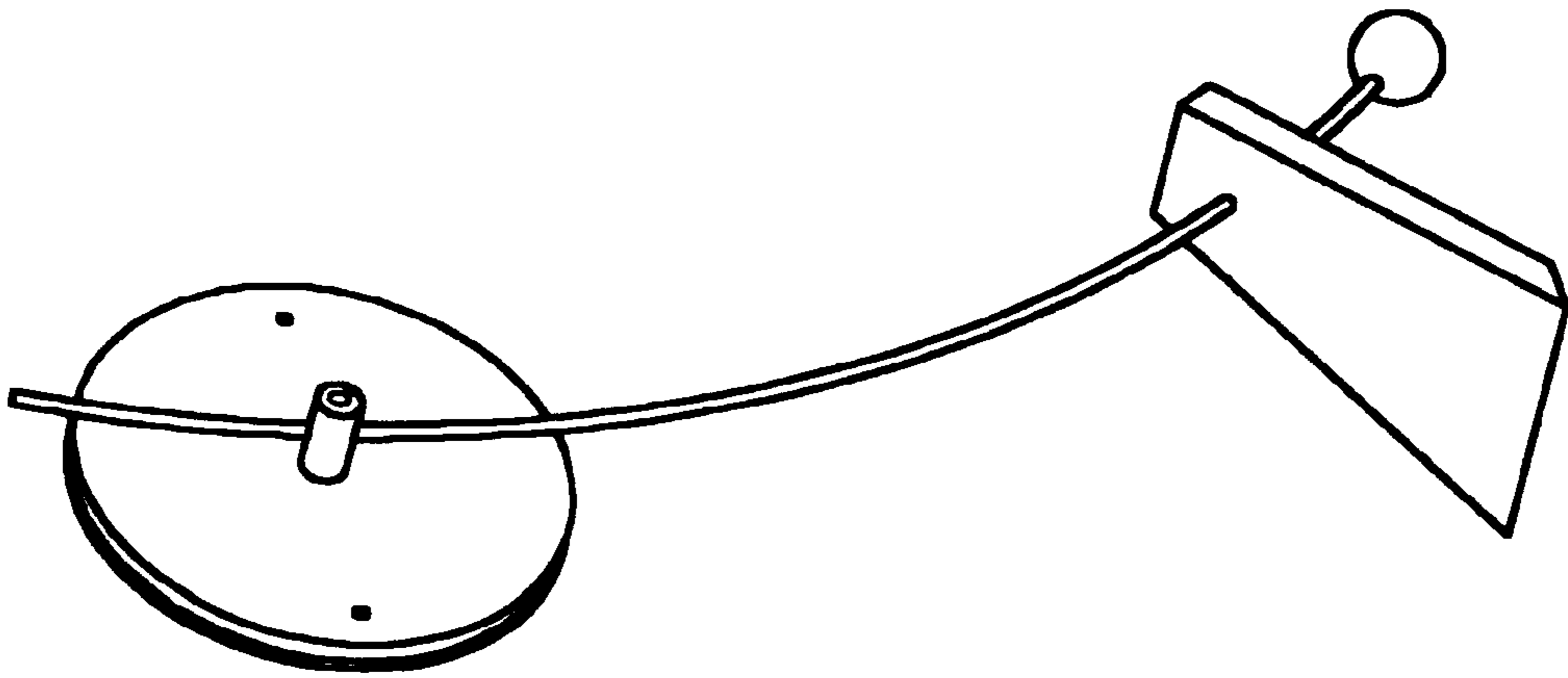


FIG. 15

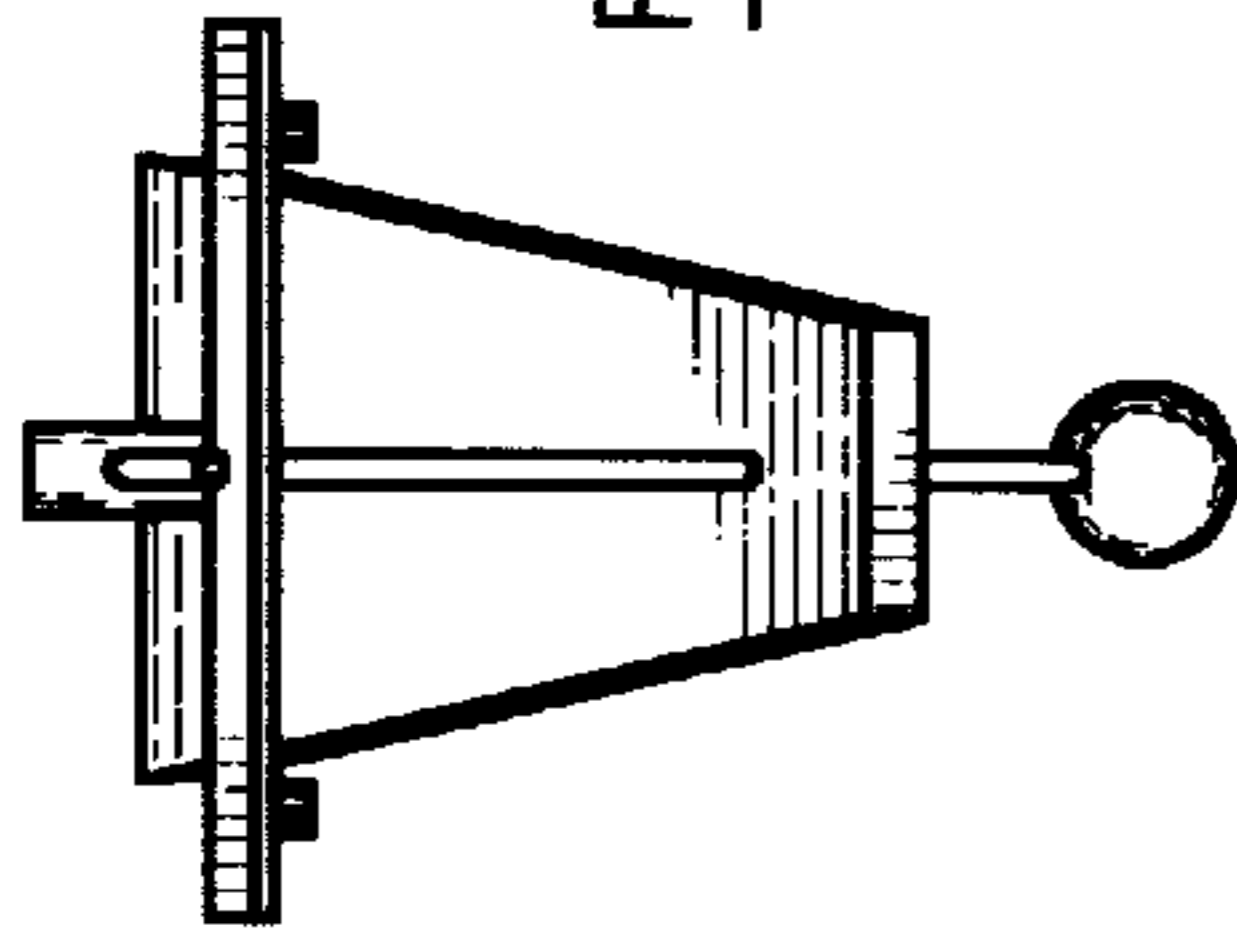


FIG. 19

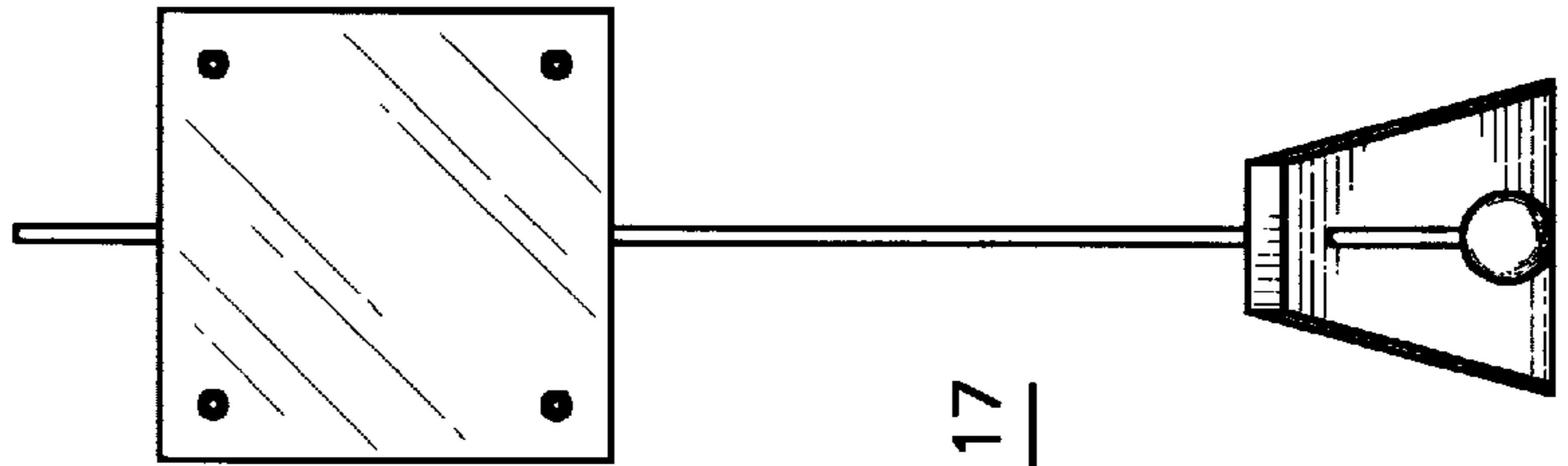


FIG. 17

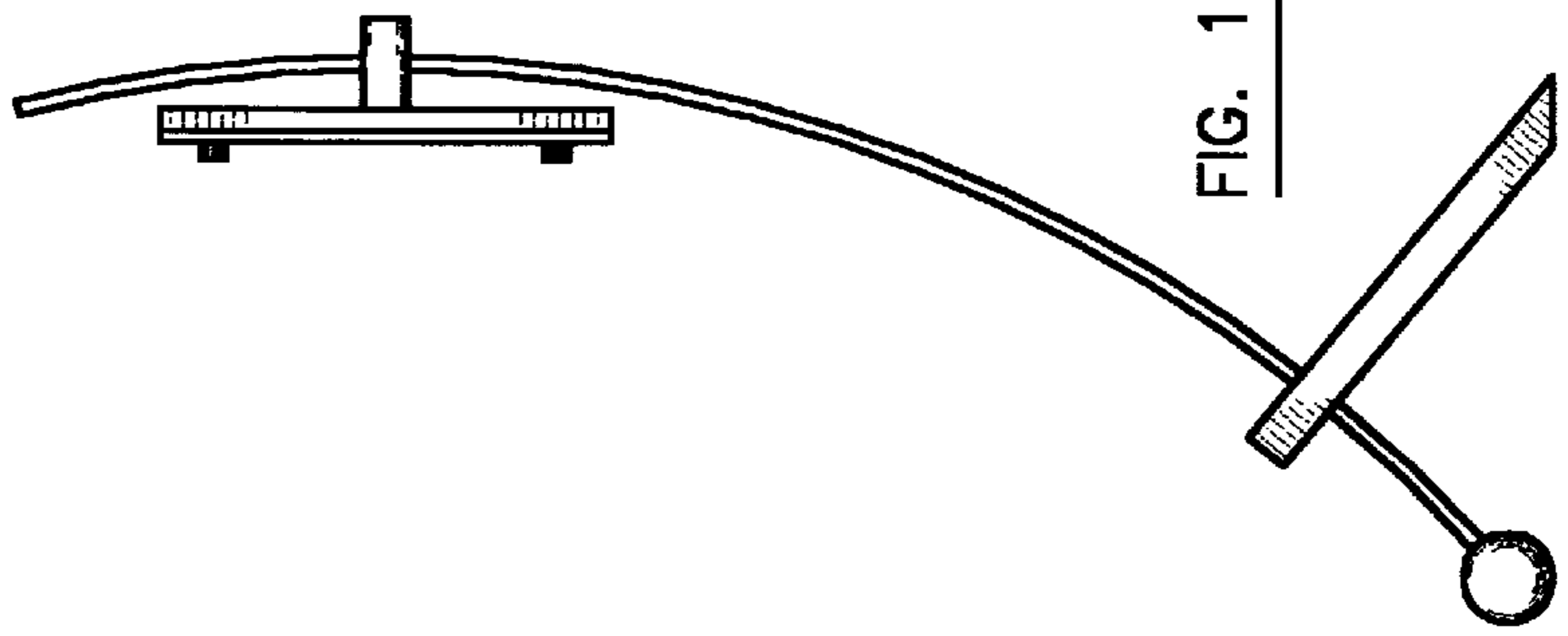


FIG. 18



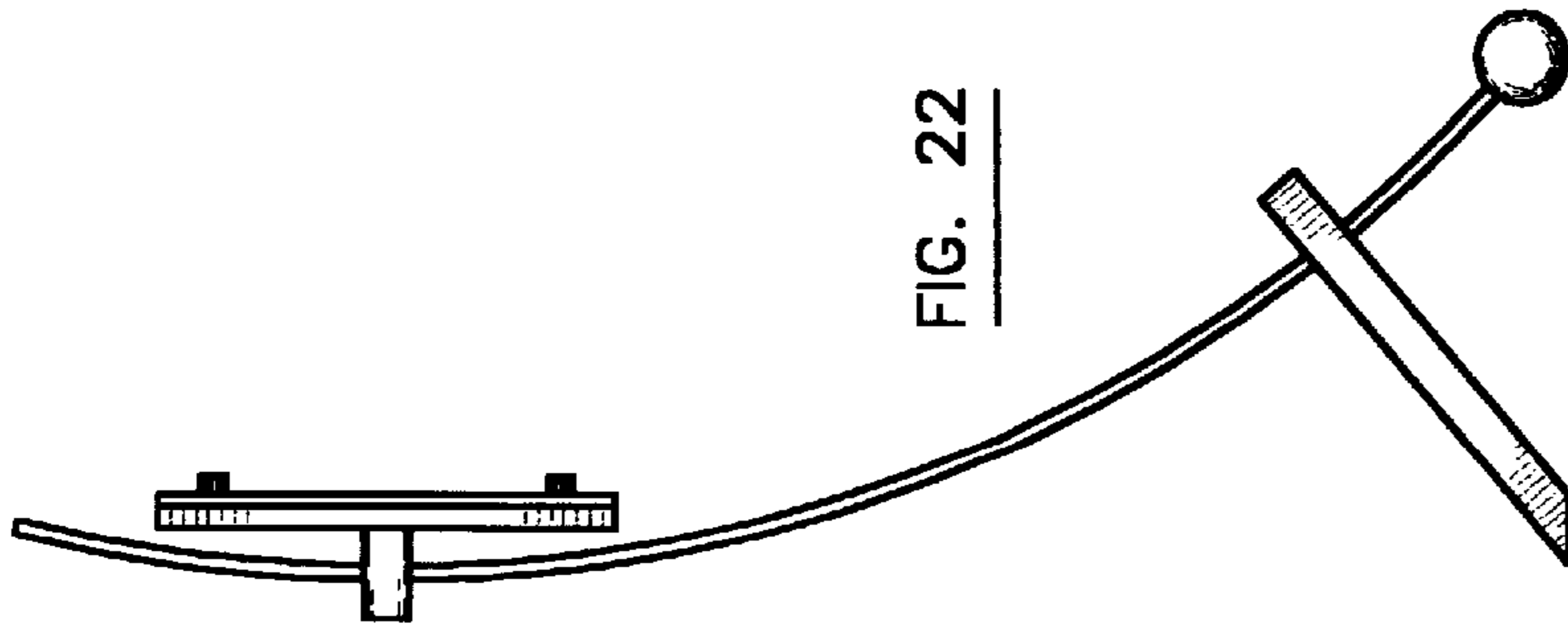


FIG. 22

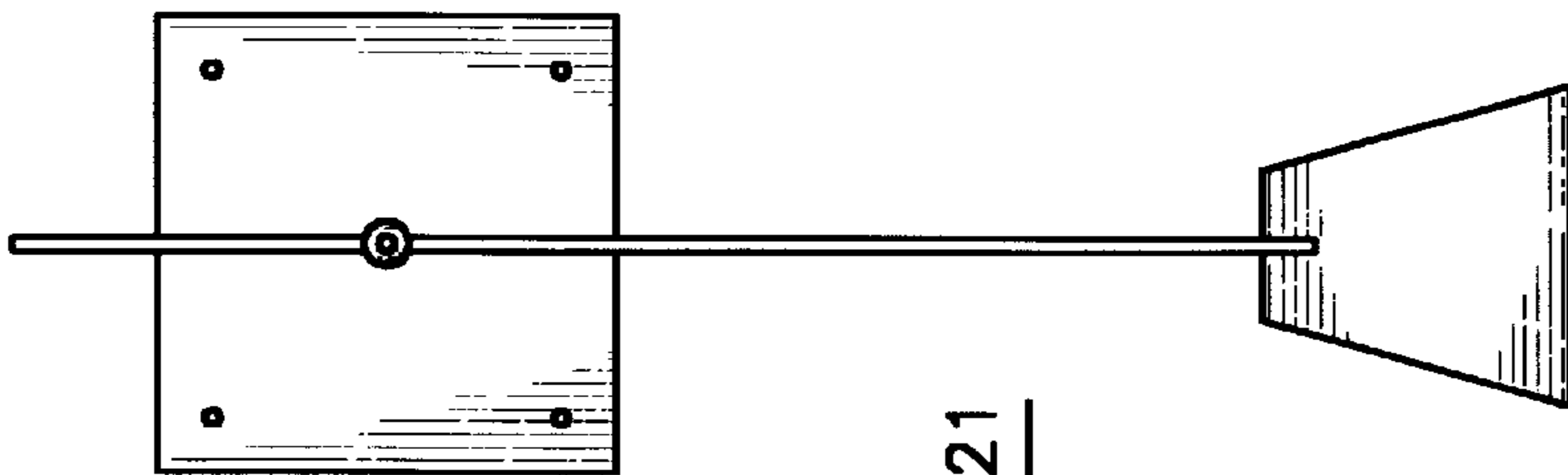


FIG. 21

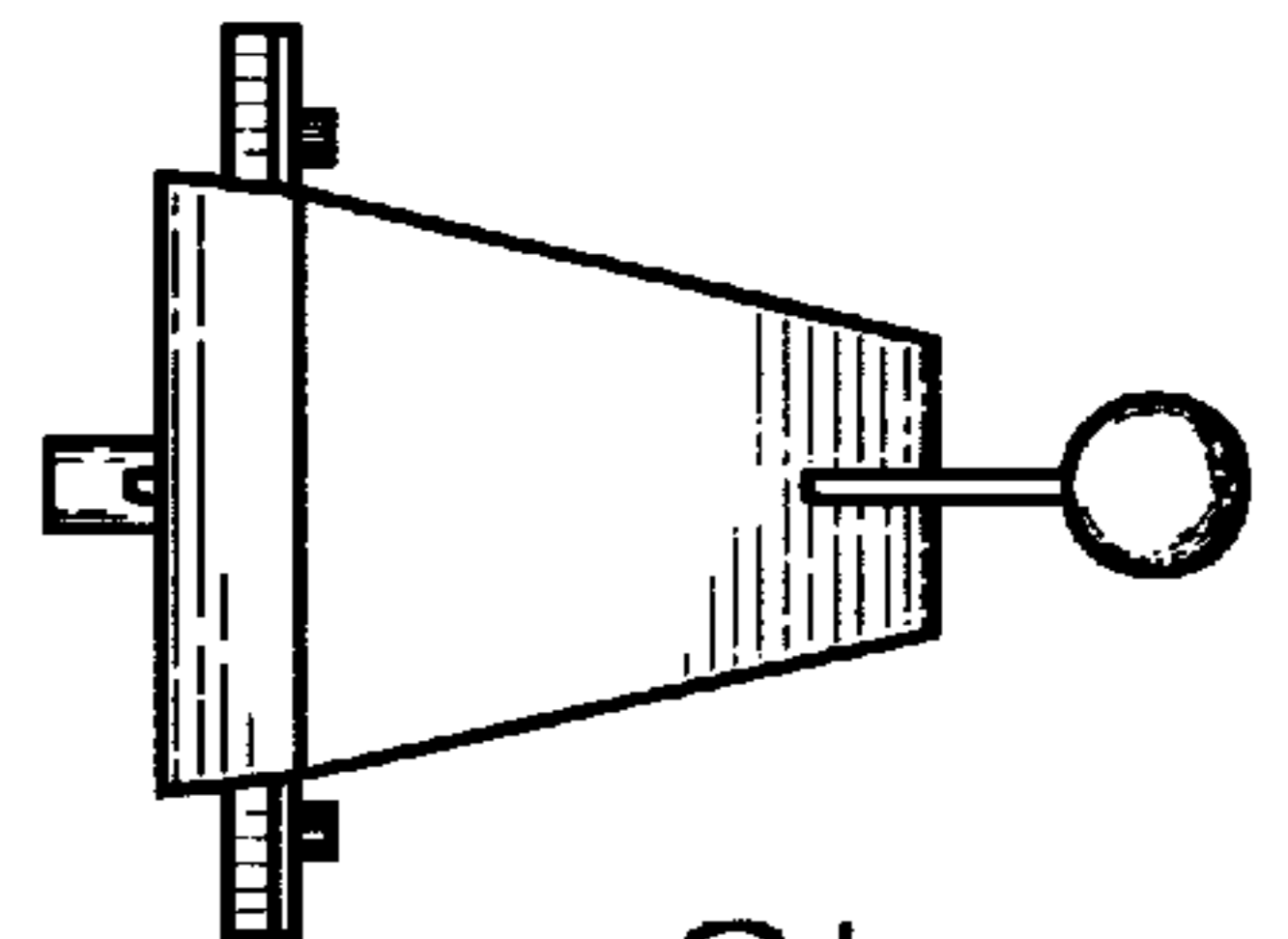


FIG. 20

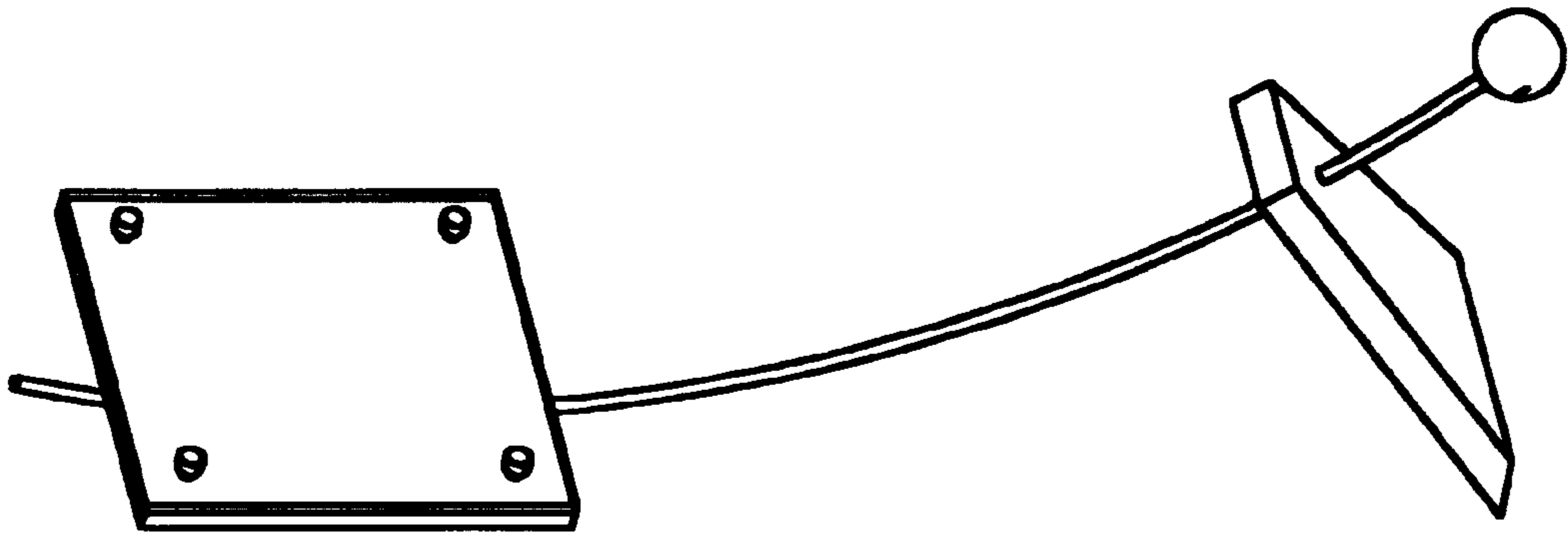


FIG. 24

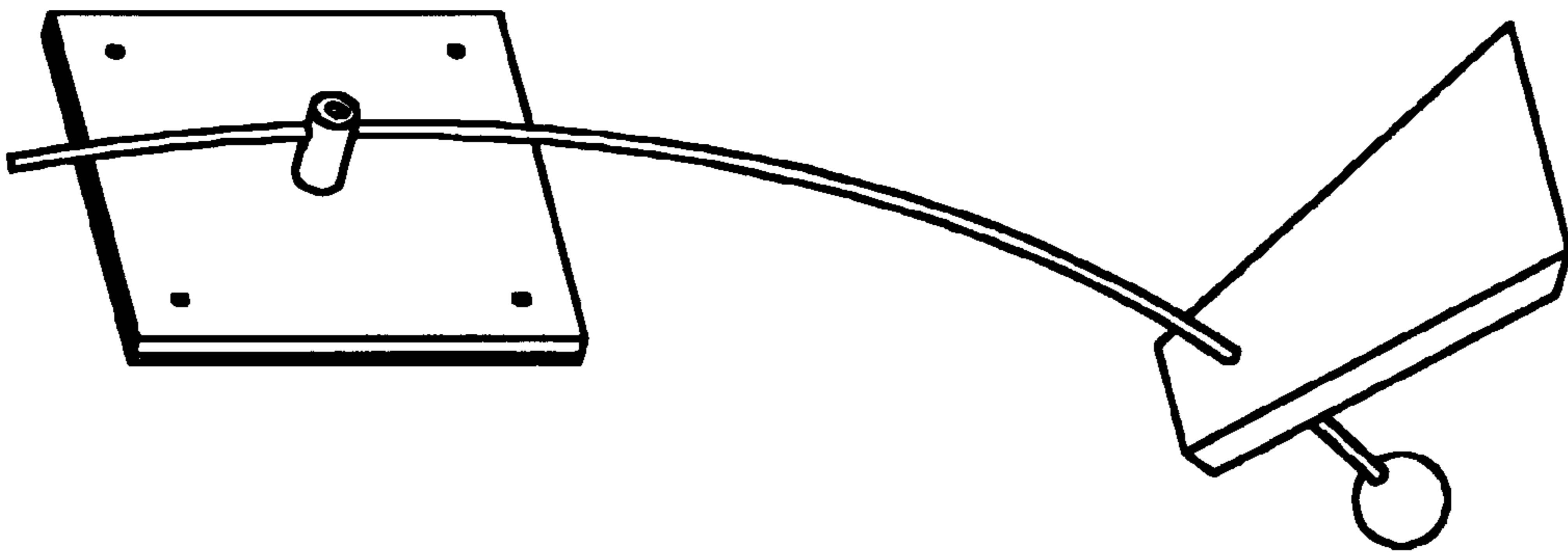
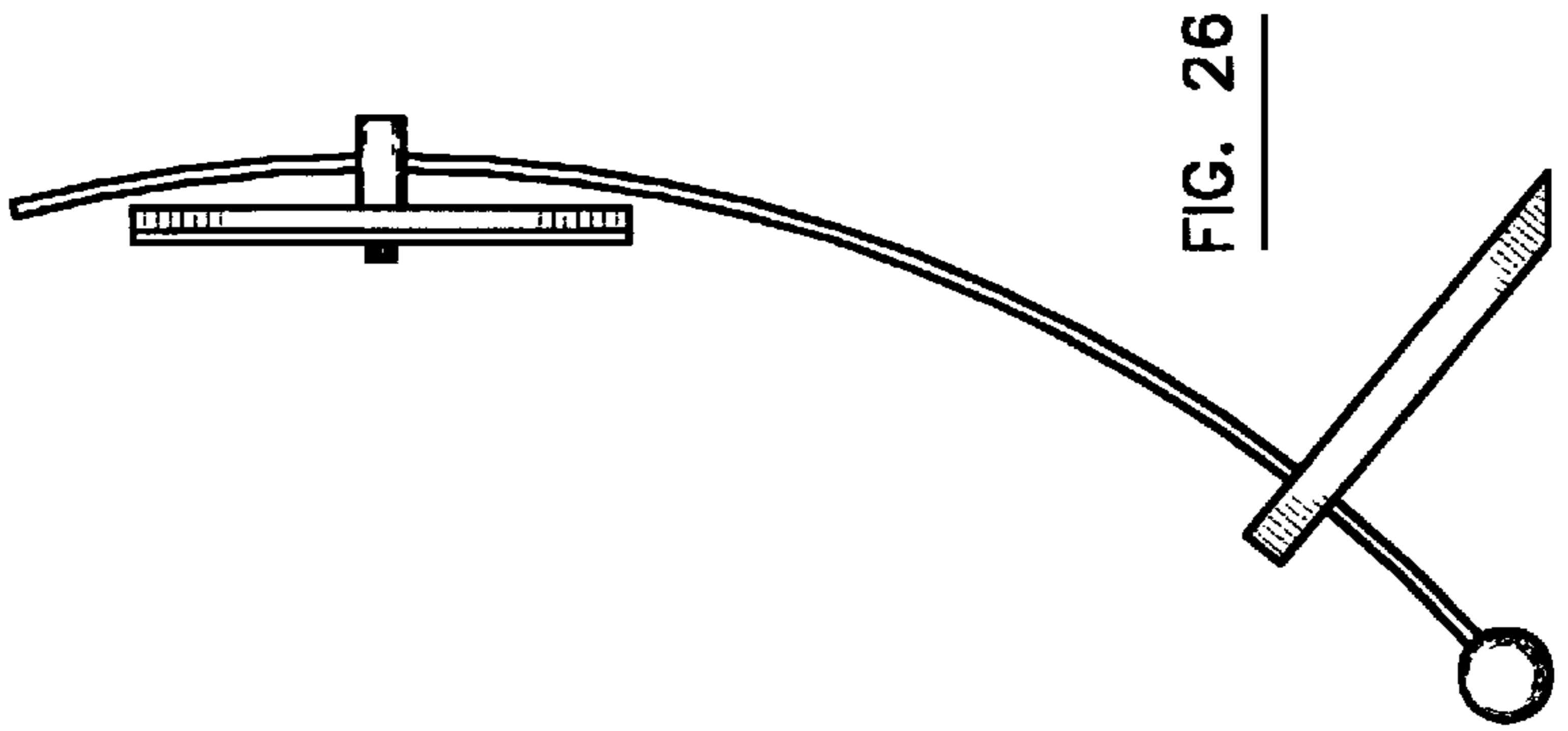
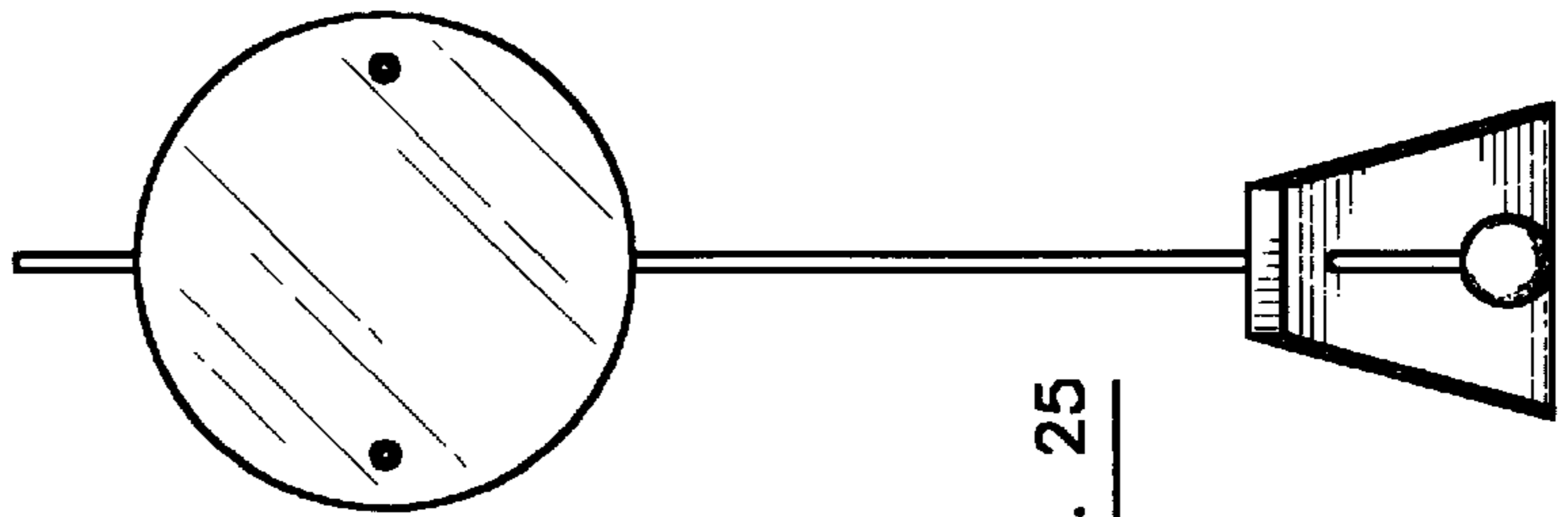
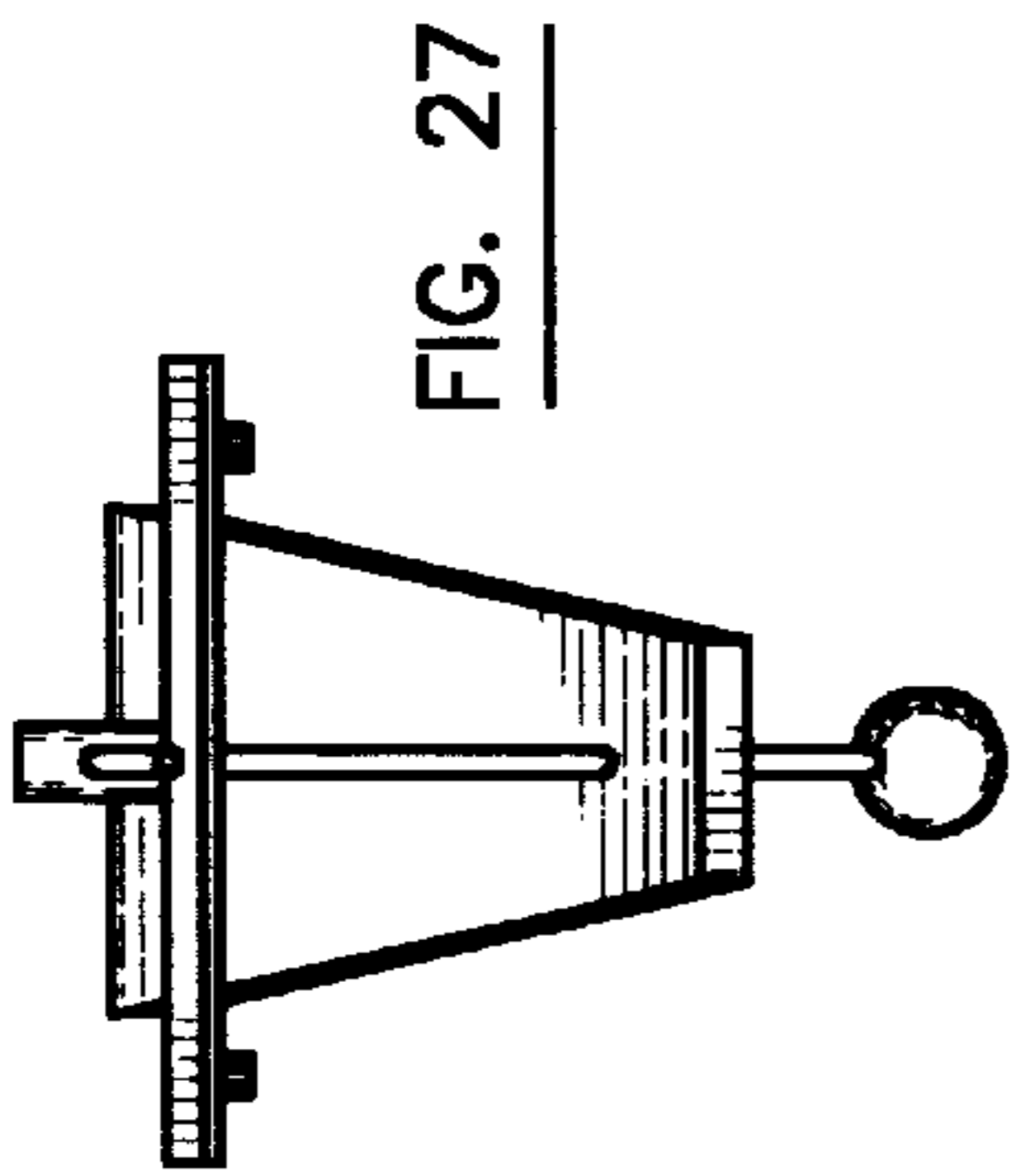


FIG. 23



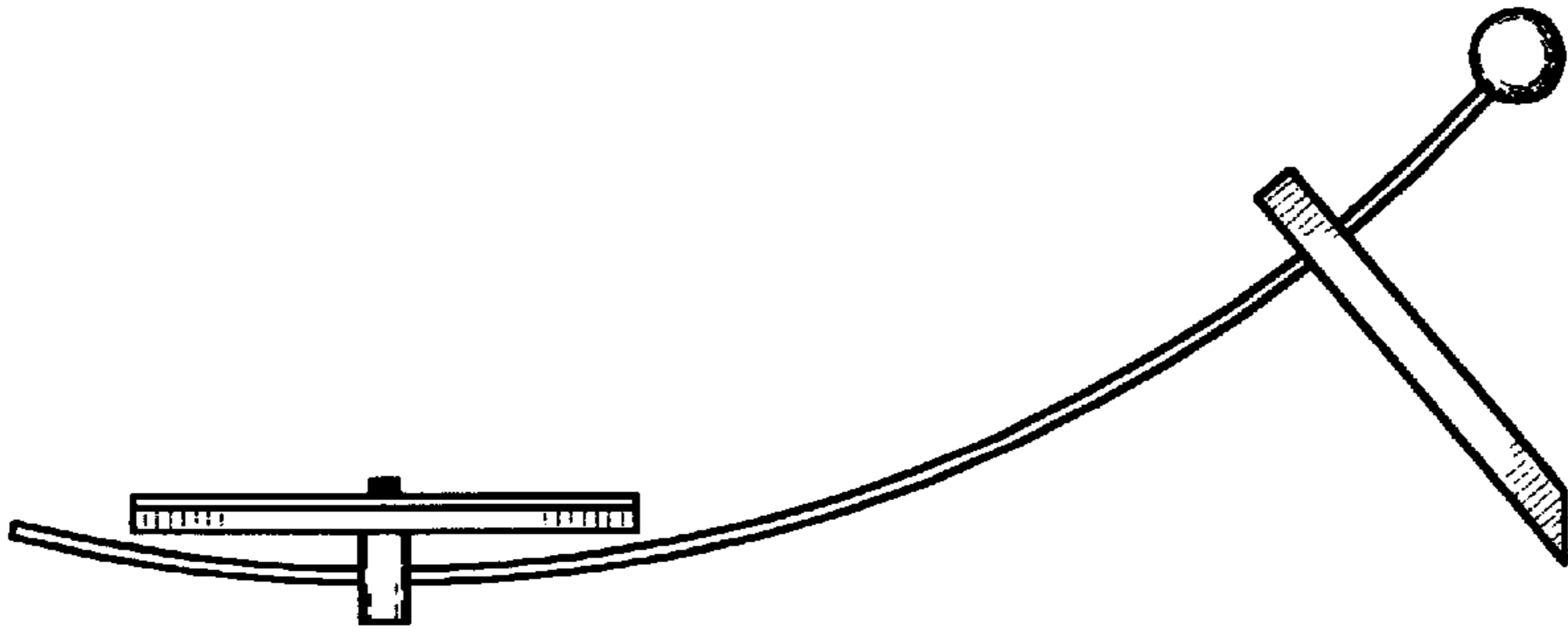


FIG. 30

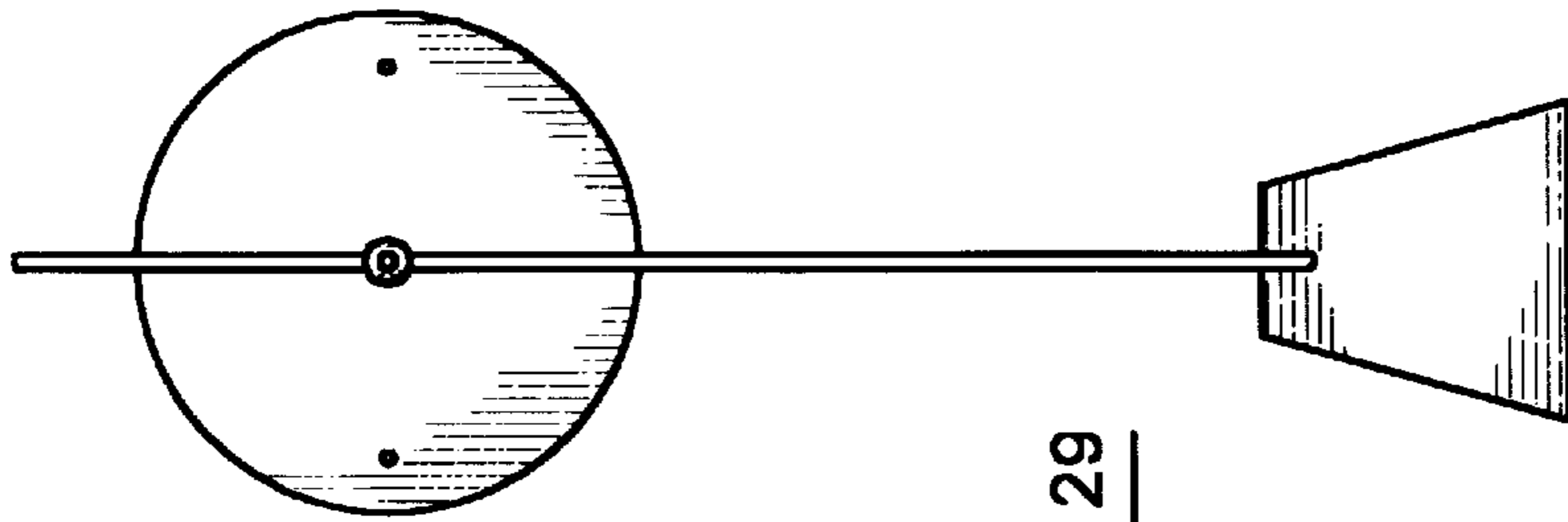


FIG. 29

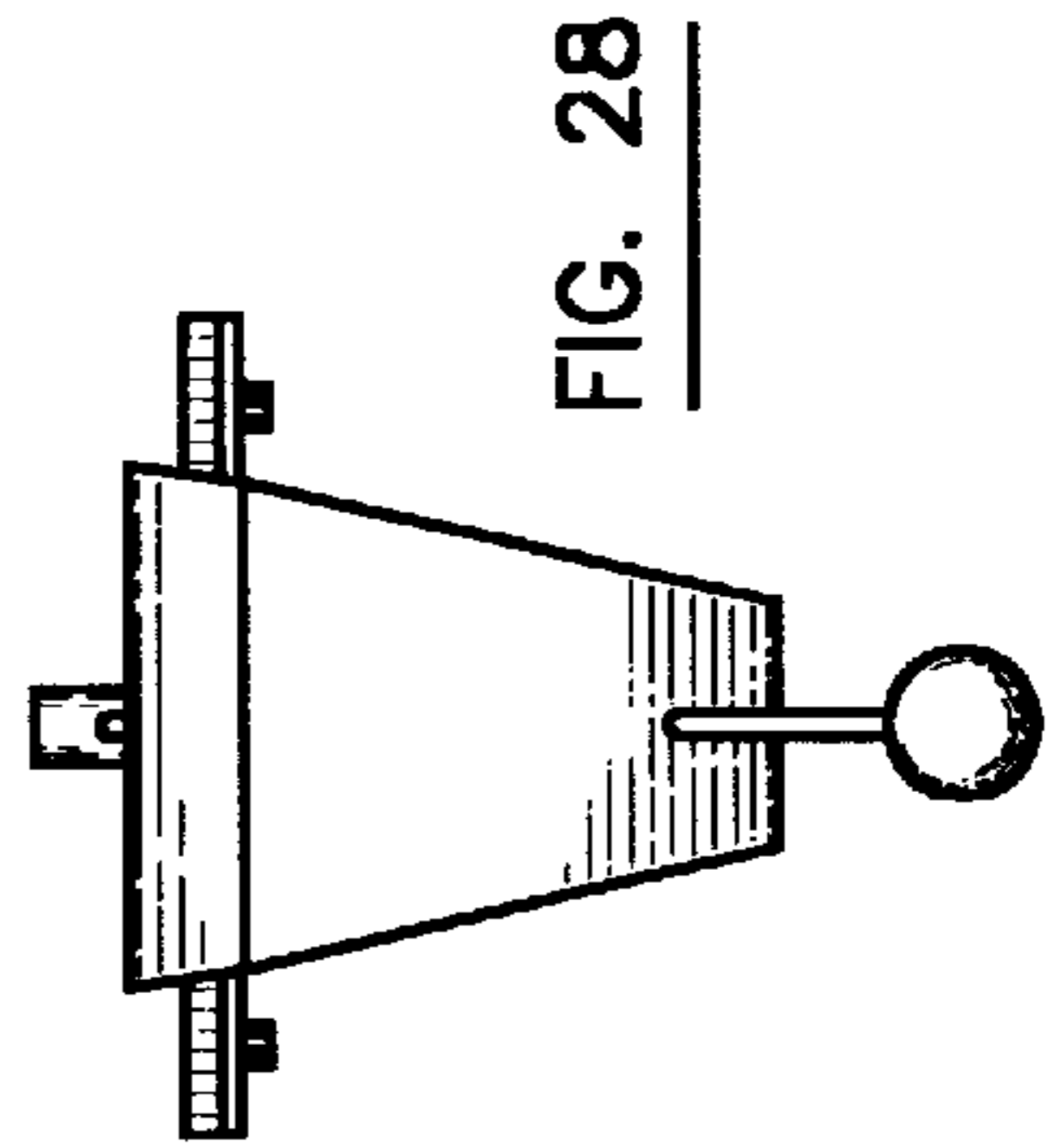


FIG. 28

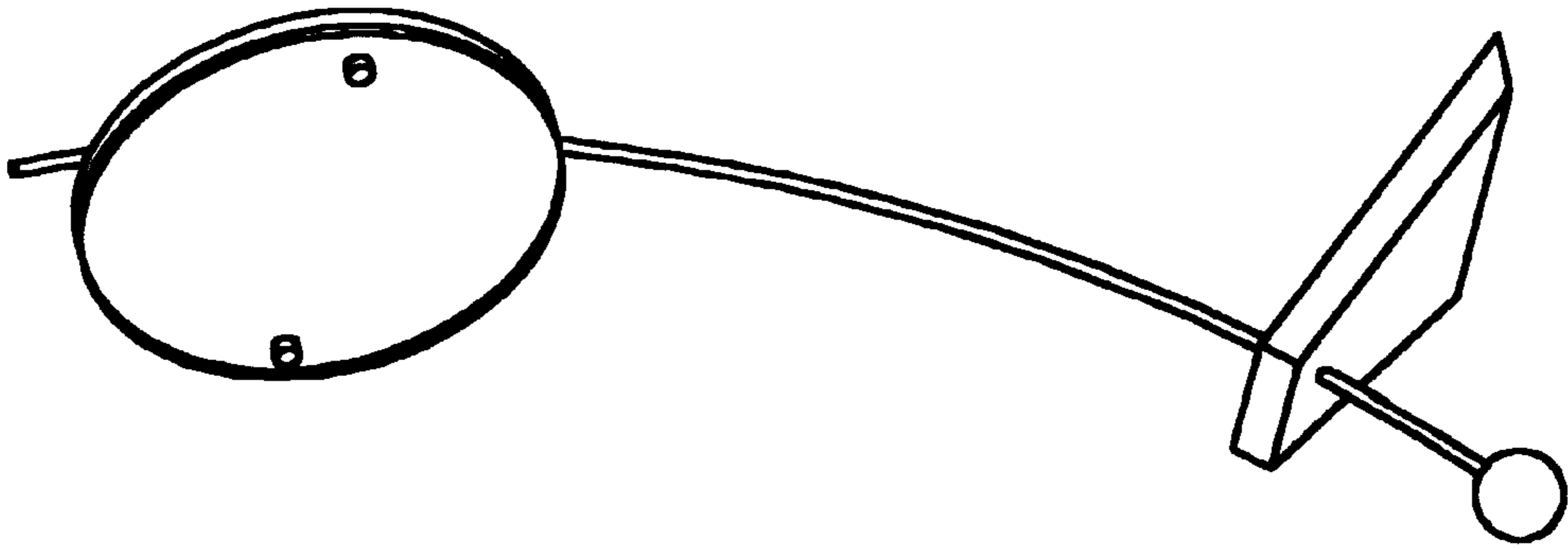


FIG. 31

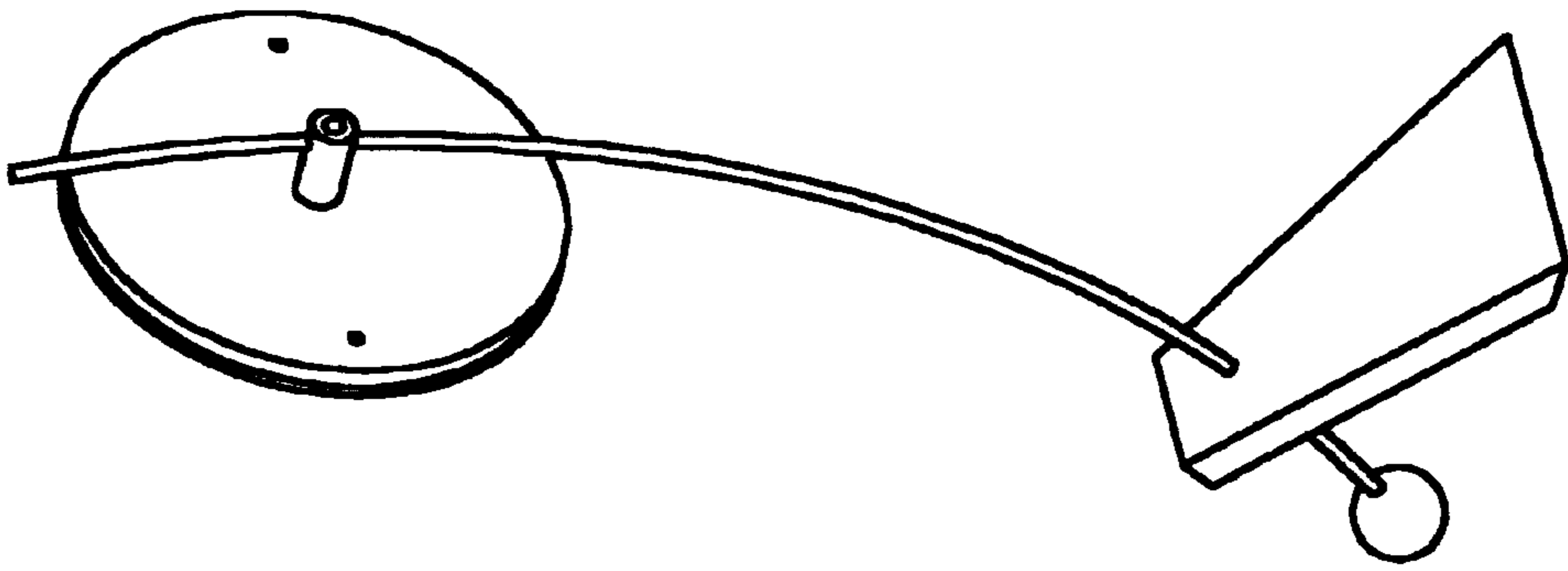


FIG. 32