



US00D423792S

United States Patent [19]

[11] **Patent Number: Des. 423,792**

Amante et al.

[45] **Date of Patent: ** May 2, 2000**

[54] **HAIRBRUSH**

[76] Inventors: **Jacqueline Amante**, 2608 Parkview Pl.;
Kimberly Aurelio, 839 Lincoln Ave.,
both of Baldwin, N.Y. 11510

[**] Term: **14 Years**

[21] Appl. No.: **29/111,844**

[22] Filed: **Oct. 5, 1999**

[51] **LOC (7) Cl.** **04-02**

[52] **U.S. Cl.** **D4/133**

[58] **Field of Search** D4/128, 130, 133,
D4/138; 15/143.1, 159.1, 160, 186, 187,
191.1, 192, 193; 132/120, 271, 313

[56] **References Cited**

U.S. PATENT DOCUMENTS

D. 134,720	1/1943	Herschensohn	D4/133
D. 152,203	12/1948	Mayer	D4/133
D. 251,517	4/1979	Baudon	D4/128
D. 270,381	8/1983	Muller et al.	D4/128 X
4,076,032	2/1978	Miscercola	15/160 X

Primary Examiner—Alan P. Douglas
Assistant Examiner—Lavone D. Tabor
Attorney, Agent, or Firm—Collard & Roe, PC.

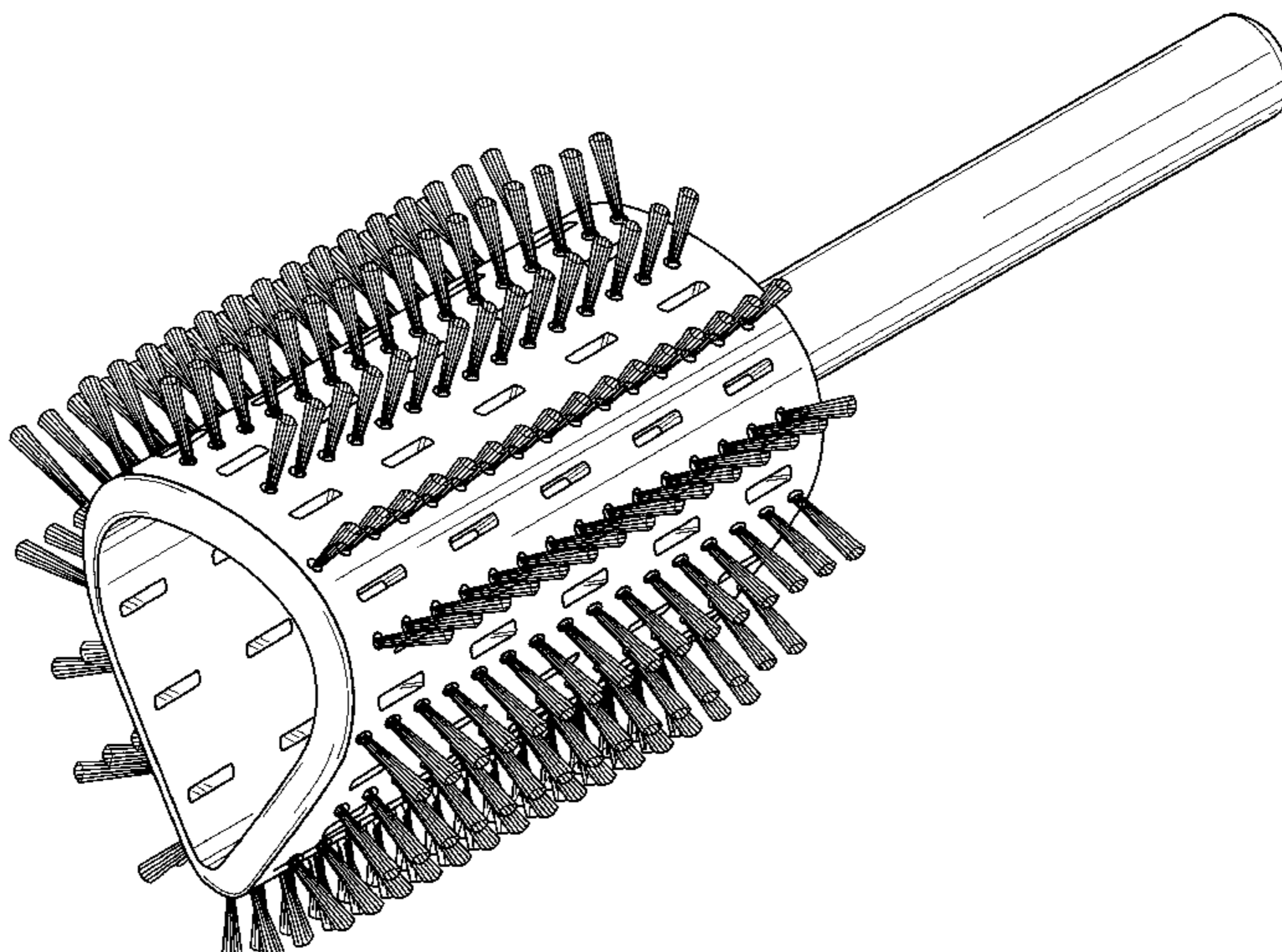
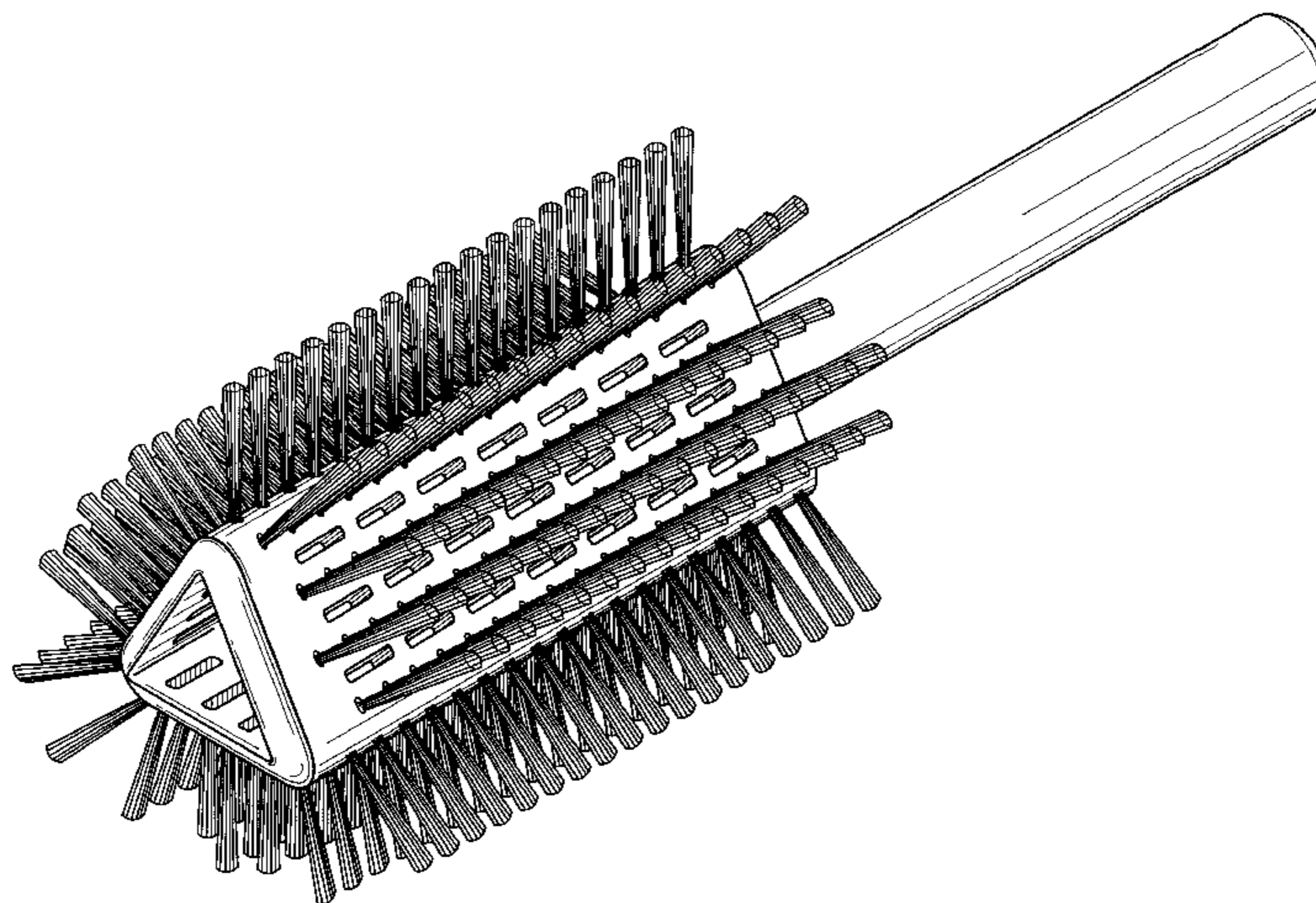
[57] **CLAIM**

The ornamental design for a hairbrush, as shown and described.

DESCRIPTION

FIG. 1 shows a perspective view of an embodiment of our design for a hairbrush;
FIG. 2 shows a side view thereof;
FIG. 3 shows a side view thereof rotated 90°;
FIG. 4 shows a side view thereof rotated 180° from FIG. 3;
FIG. 5 shows a front end view thereof;
FIG. 6 shows a rear end view thereof;
FIG. 7 shows a perspective view of another embodiment of our design for a hairbrush;
FIG. 8 shows a side view thereof;
FIG. 9 shows a side view thereof rotated 90°;
FIG. 10 shows a side view thereof rotated 180° from FIG. 9;
FIG. 11 shows a front end view thereof; and,
FIG. 12 shows a rear end view thereof.

1 Claim, 6 Drawing Sheets



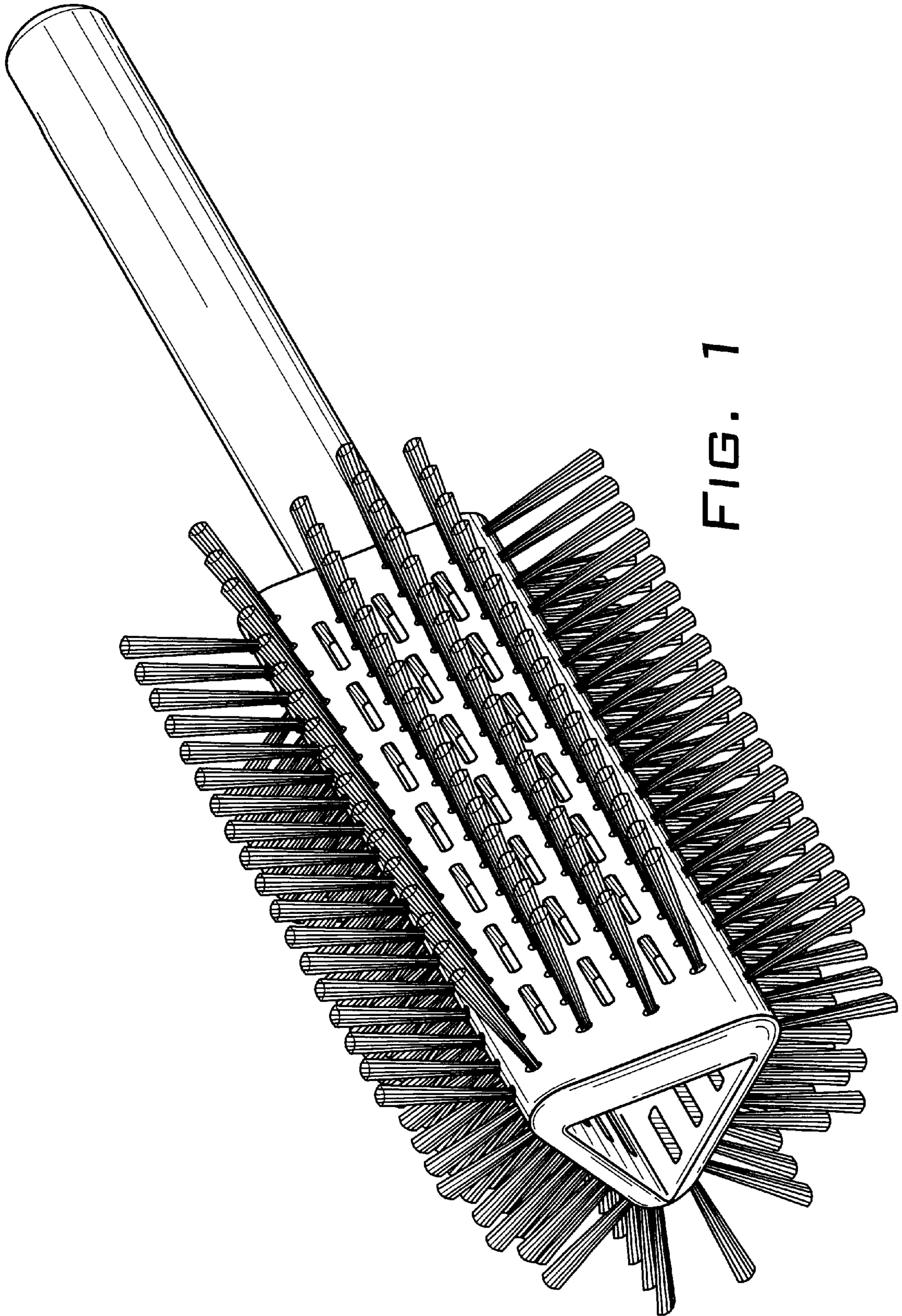
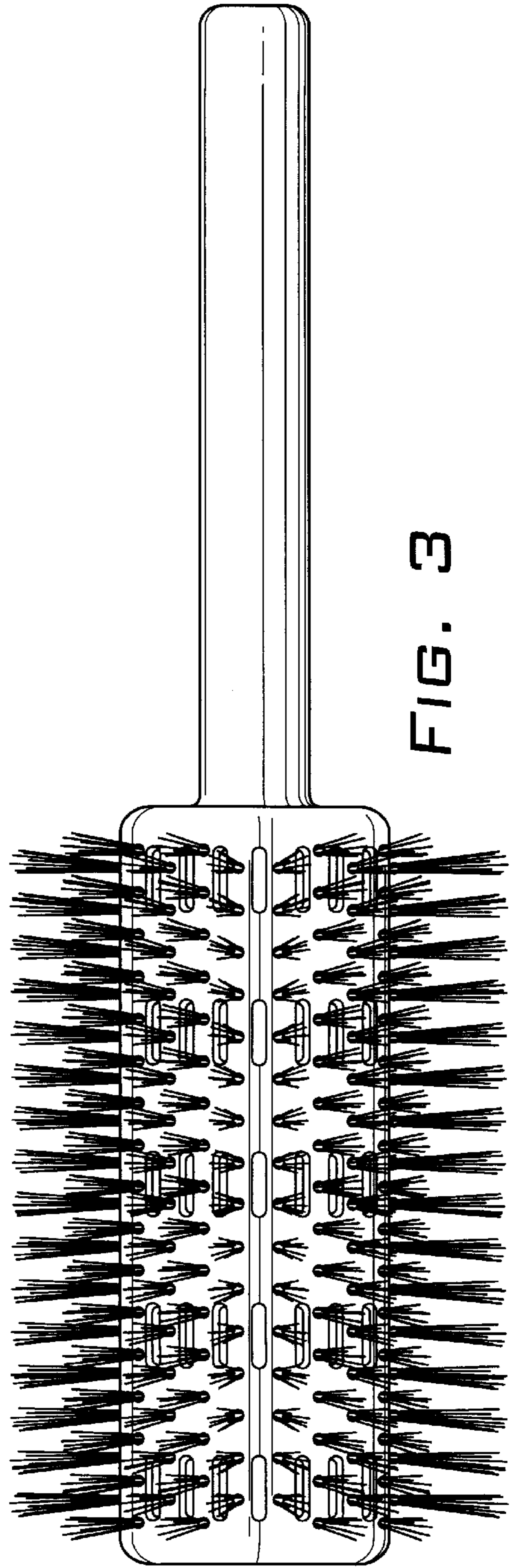
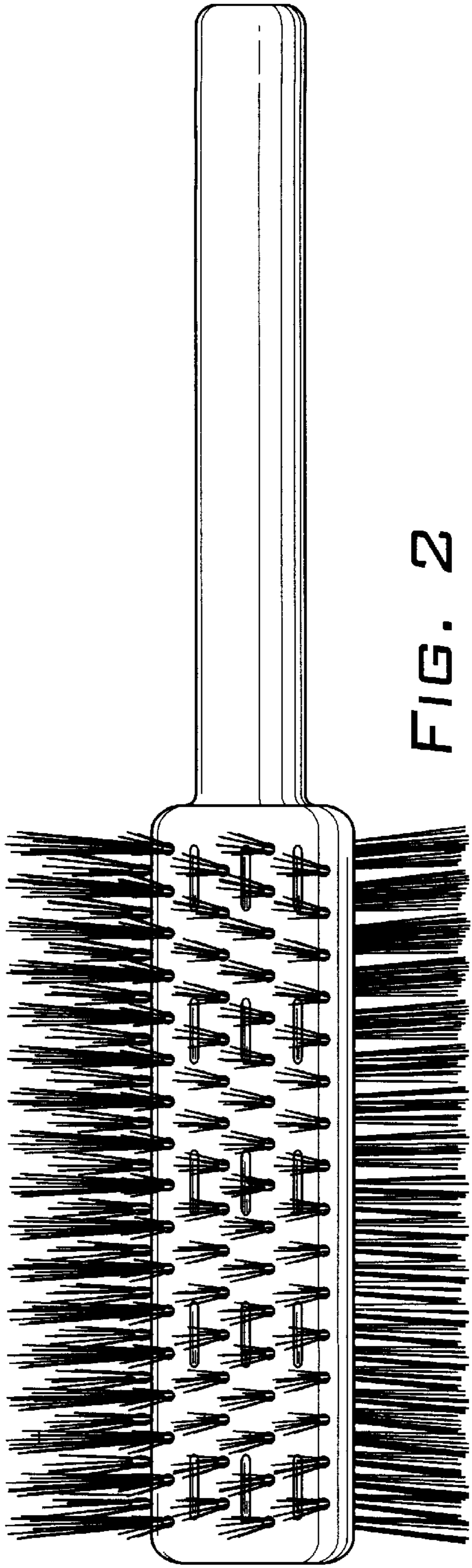


FIG. 1



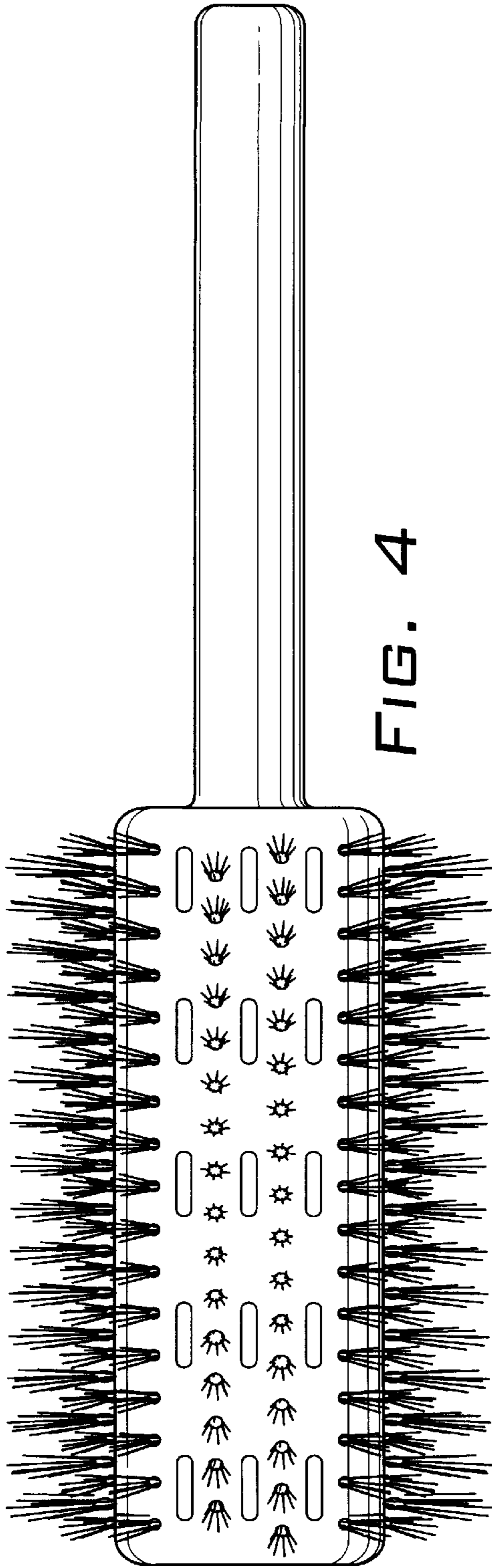


FIG. 4

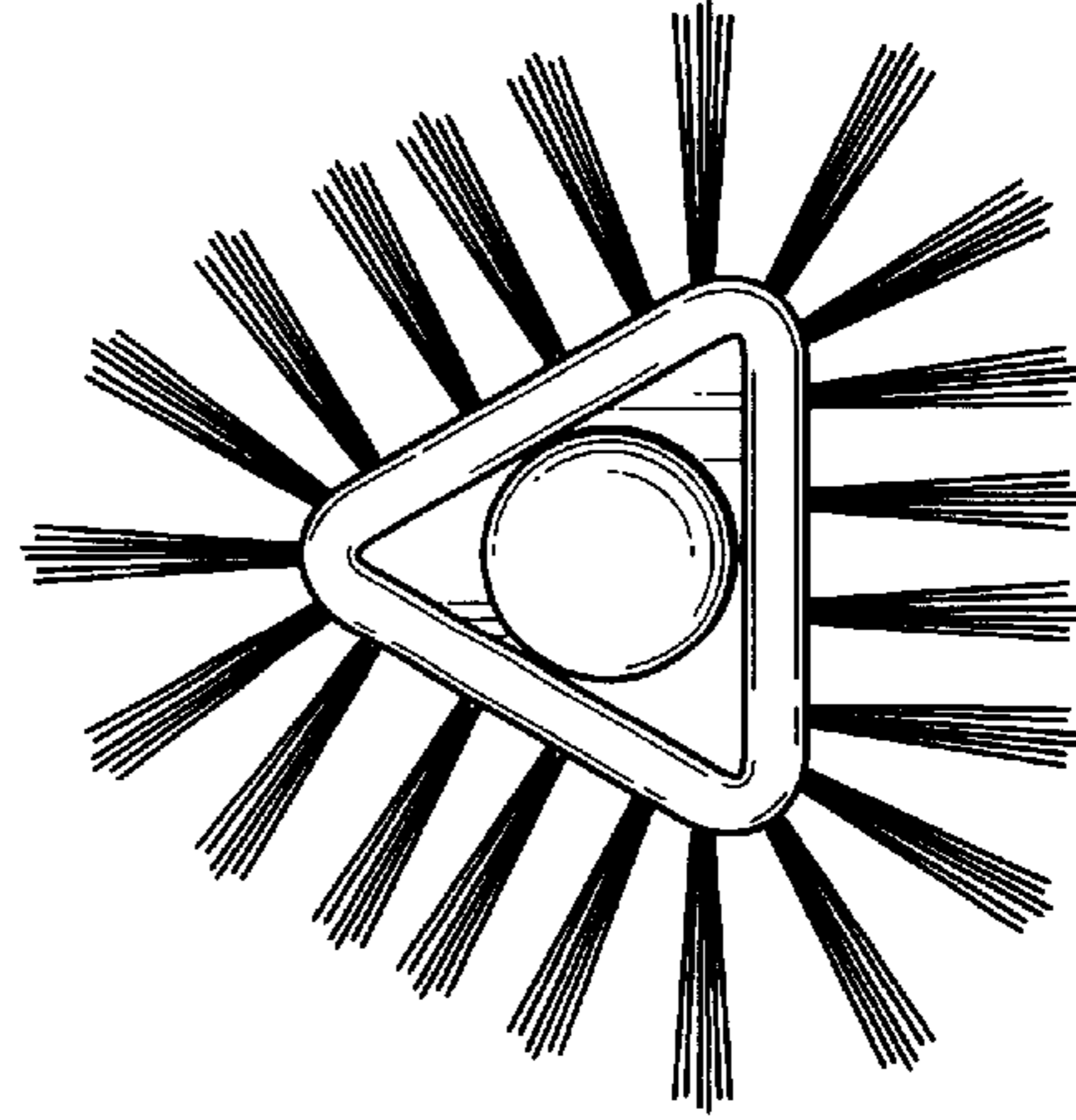


FIG. 6

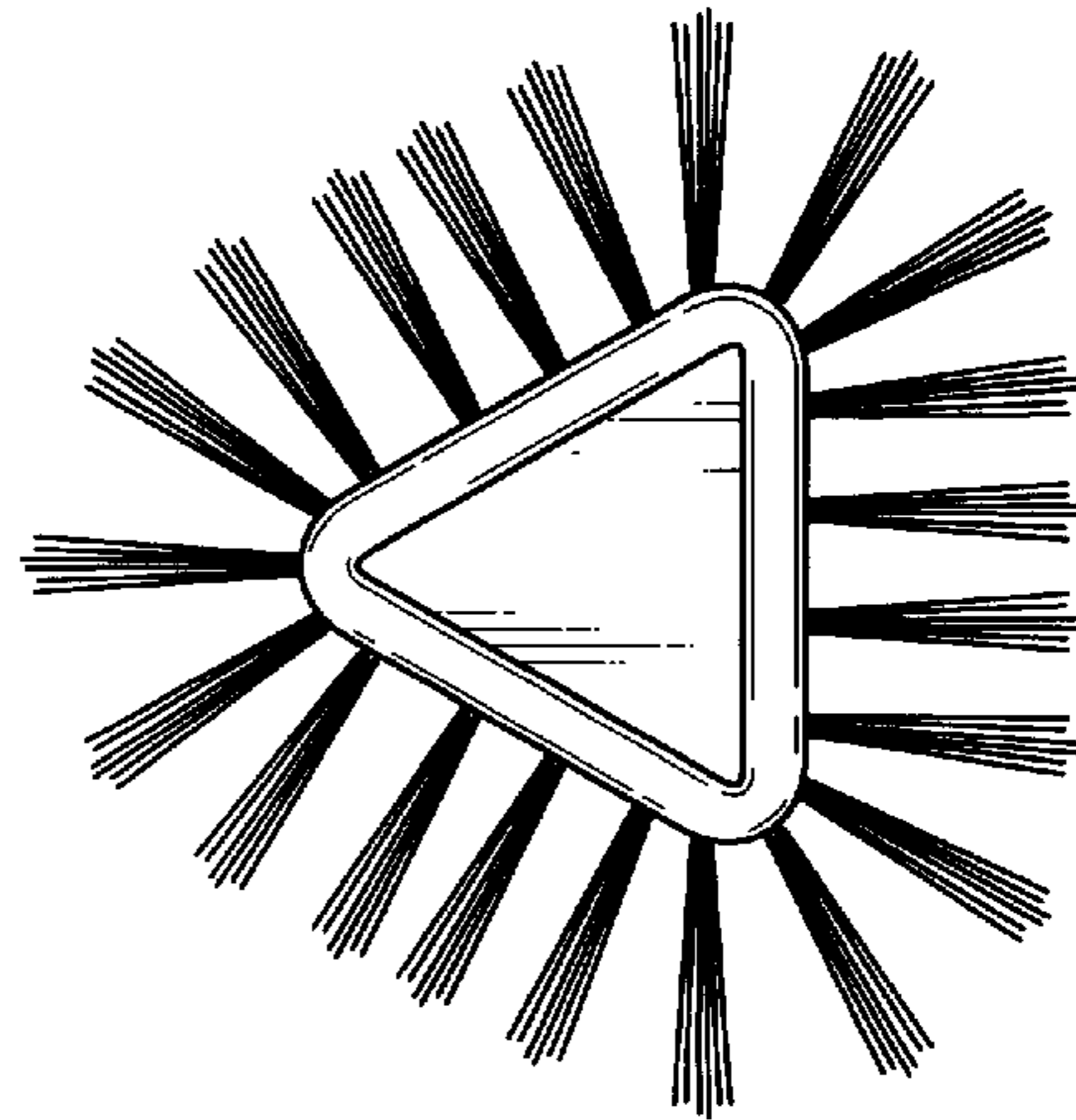


FIG. 5

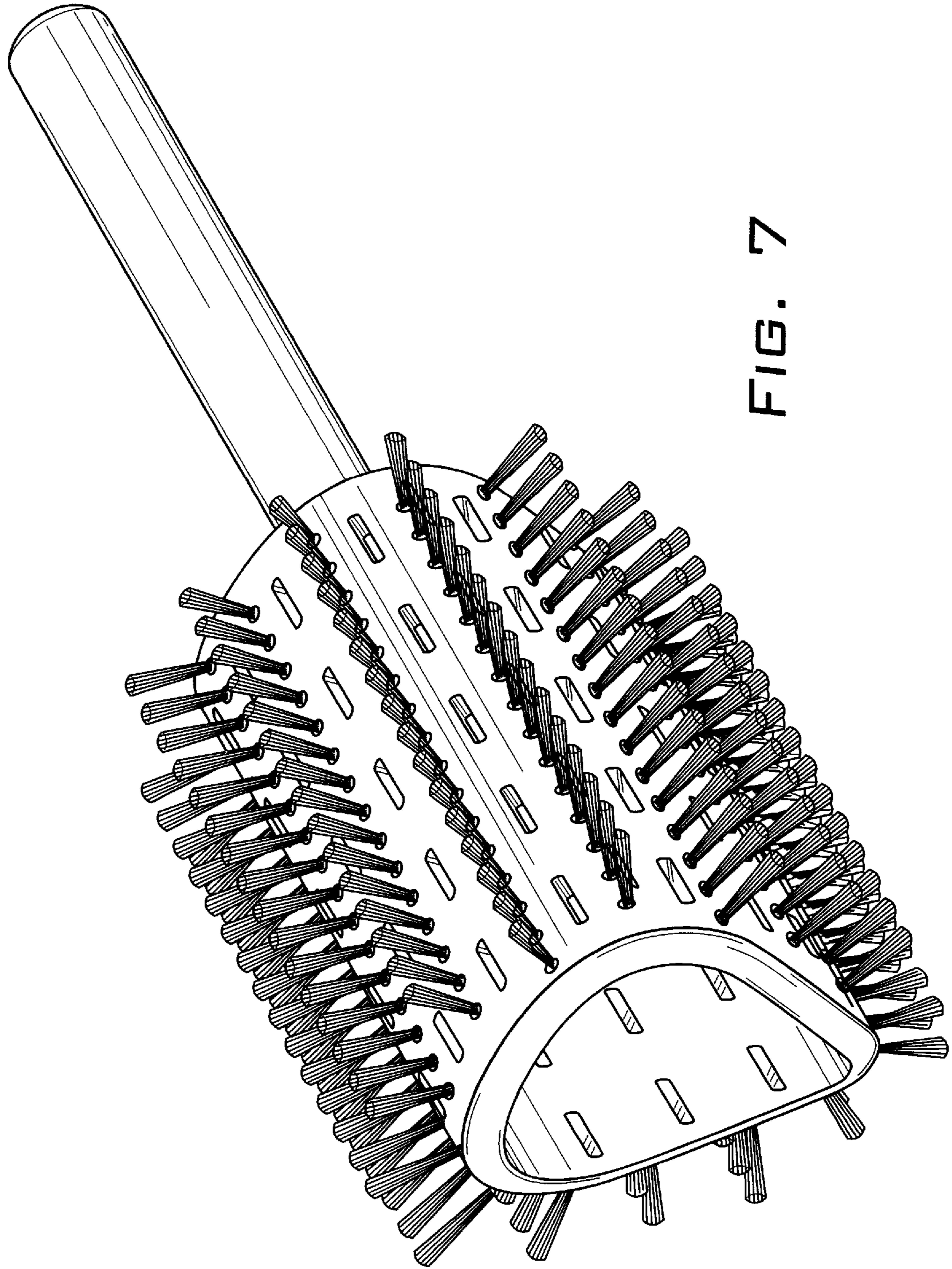


FIG. 7

