



US00D423791S

# United States Patent [19]

Lacy

[11] Patent Number: **Des. 423,791**

[45] Date of Patent: **\*\* May 2, 2000**

[54] **BEACH BODY BRUSH**

[76] Inventor: **Gerald Lacy**, 321 W. Fourth St.,  
Edwardsville, Ill. 62025

[\*\*] Term: **14 Years**

[21] Appl. No.: **29/101,980**

[22] Filed: **Mar. 15, 1999**

[51] **LOC (7) Cl.** ..... **04-02**

[52] **U.S. Cl.** ..... **D4/124; D4/132**

[58] **Field of Search** ..... D4/124, 130, 132,  
D4/134, 135, 138; D28/7, 22, 28, 31; 15/143.1,  
159.1, 160, 186, 187, 191.1, 192, 193

[56] **References Cited**

**U.S. PATENT DOCUMENTS**

- D. 34,438 4/1901 Clark ..... D4/135
- D. 95,883 6/1935 Wewetzer ..... D4/134
- D. 211,766 7/1968 Weir ..... D28/31 X
- D. 308,264 5/1990 Redmann et al. .... D28/7

- D. 358,000 5/1995 Molenaar ..... D28/22
- D. 373,682 9/1996 Armbruster ..... D4/132
- 5,485,649 1/1996 Miceli ..... 15/184

*Primary Examiner*—Alan P. Douglas  
*Assistant Examiner*—Lavone D. Tabor  
*Attorney, Agent, or Firm*—Don W. Weber

[57] **CLAIM**

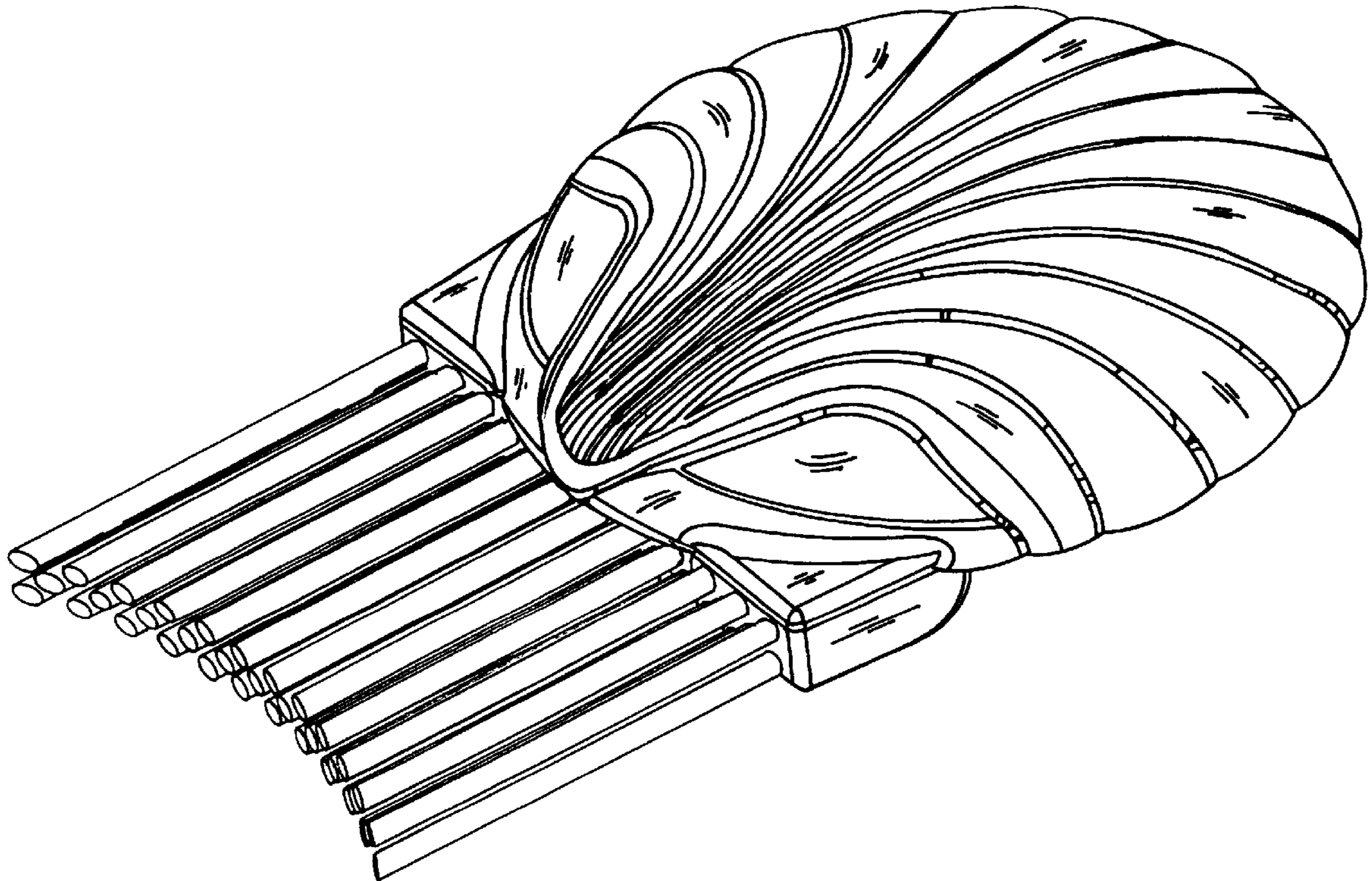
The ornamental design for a beach body brush, as shown and described.

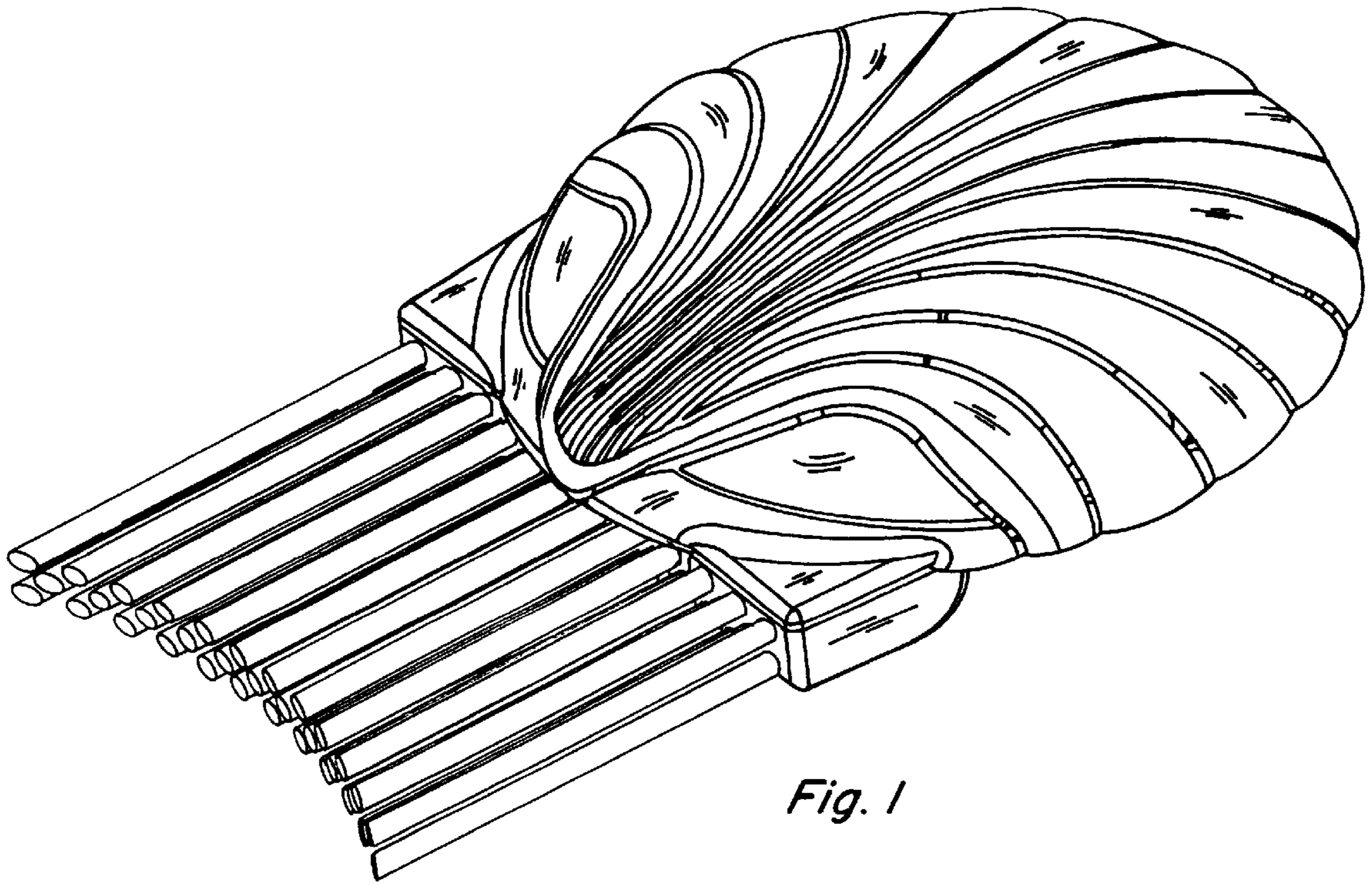
**DESCRIPTION**

FIG. 1 is a perspective view of the beach body brush; FIG. 2 is a right side view of the beach body brush; FIG. 3 is a bottom view of the beach body brush; FIG. 4 is a top view of the beach body brush; FIG. 5 is a front view of the beach body brush; and, FIG. 6 is a rear view of the beach body brush.

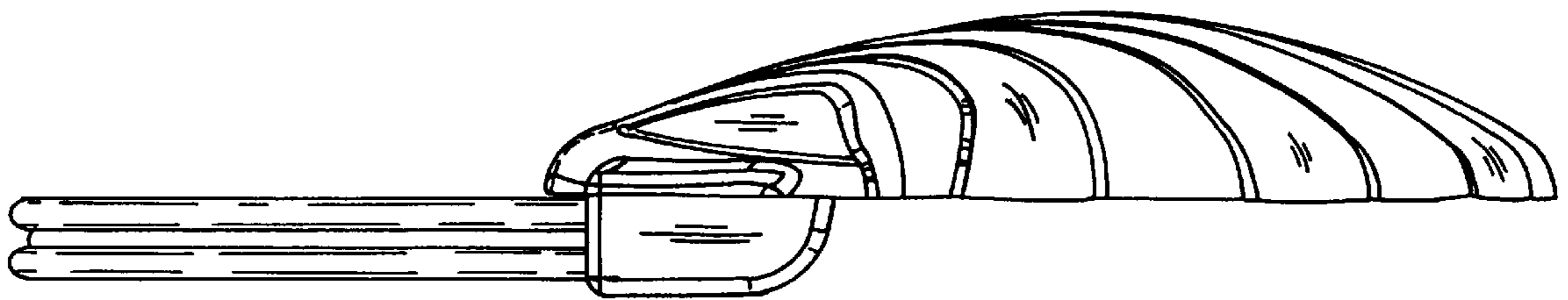
The left side is a mirror image of the right side shown.

**1 Claim, 4 Drawing Sheets**

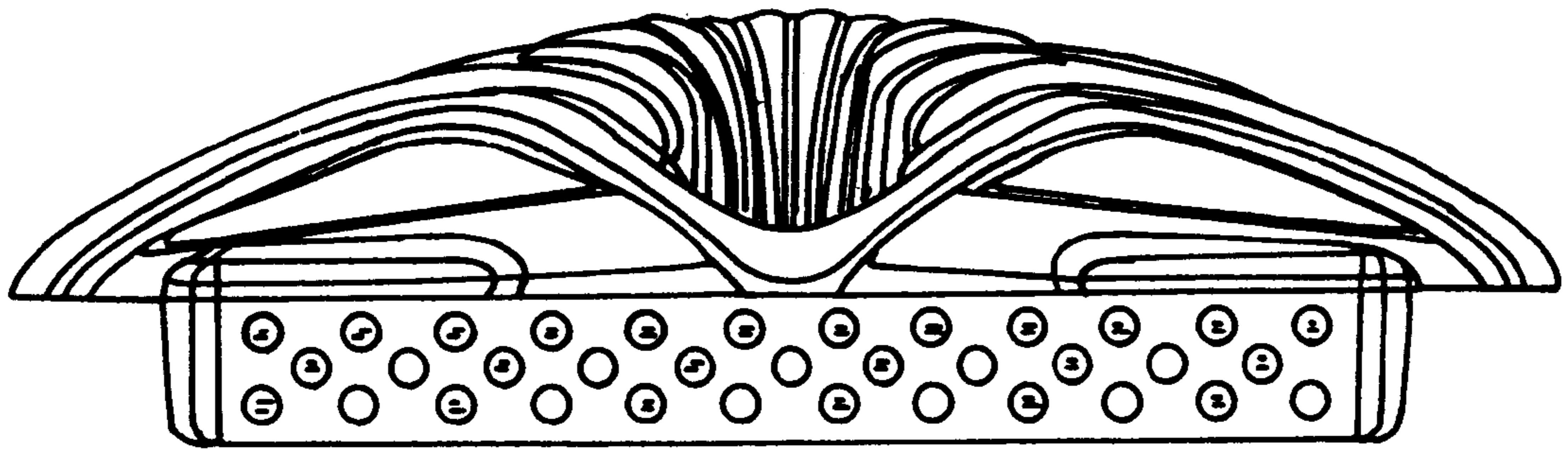




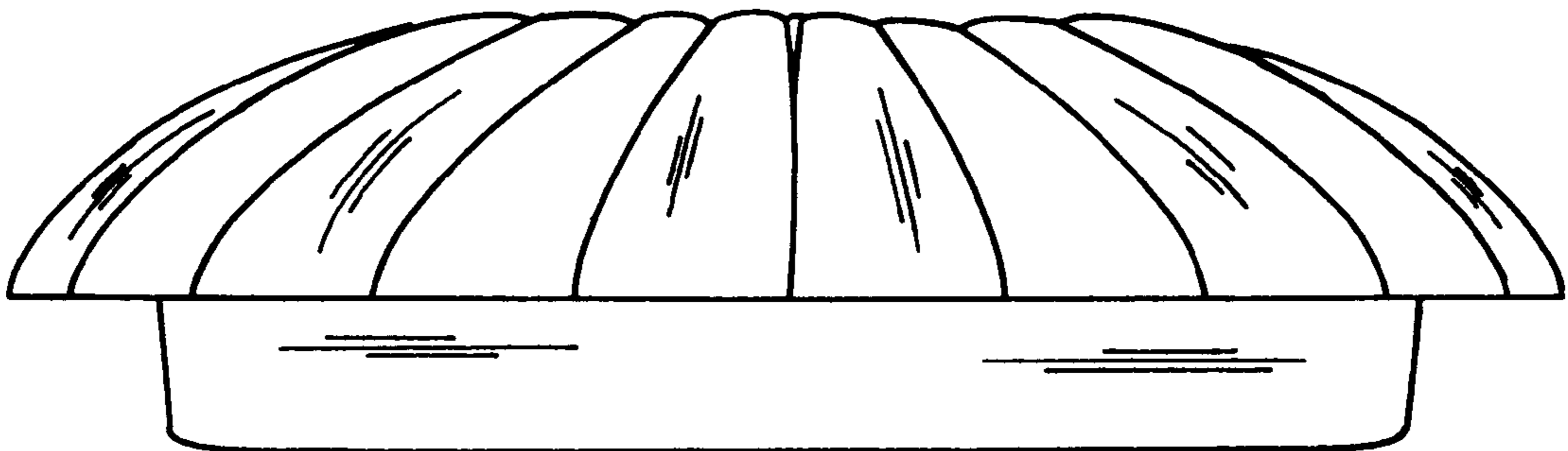
*Fig. 1*



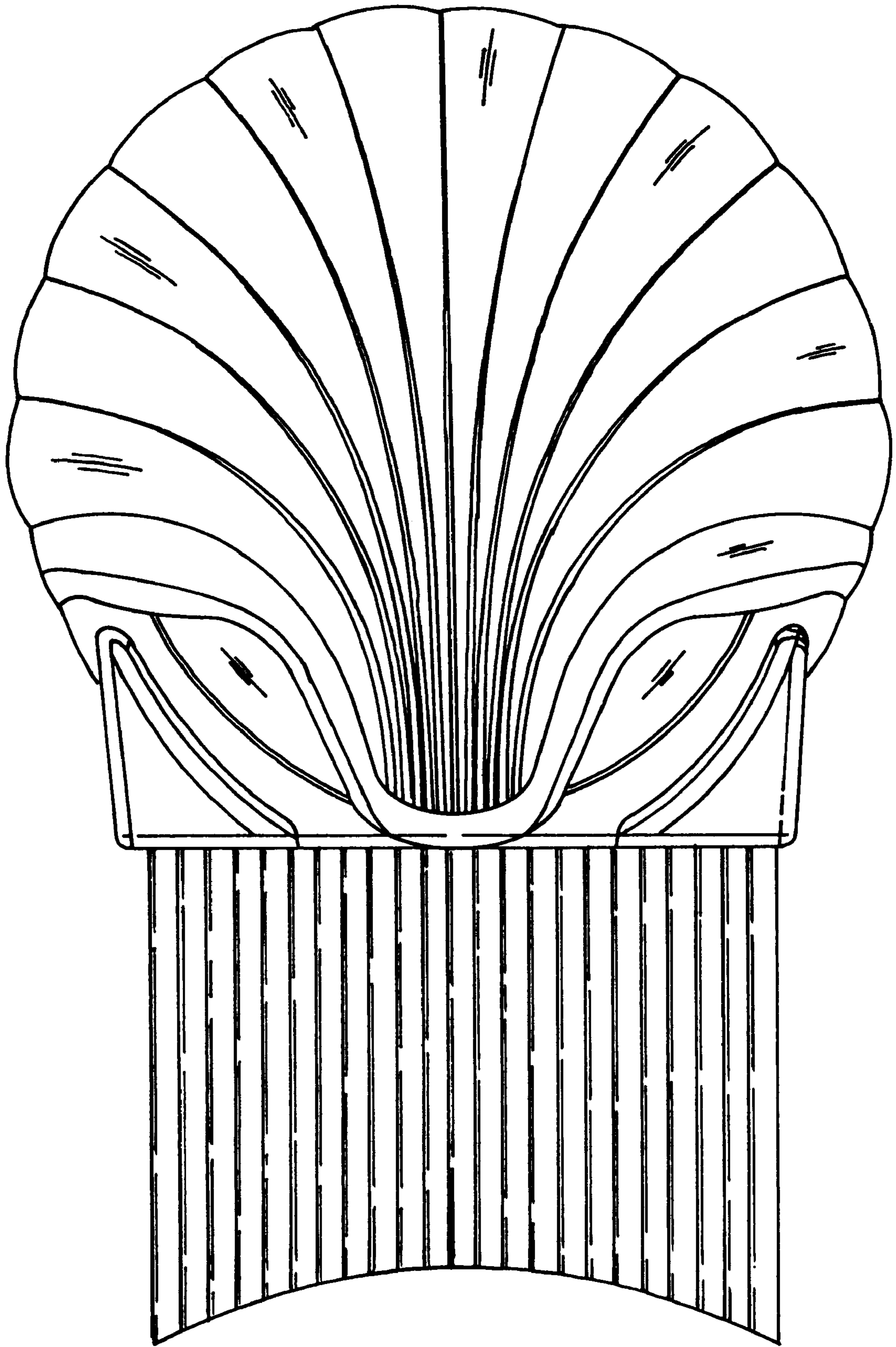
*Fig. 2*



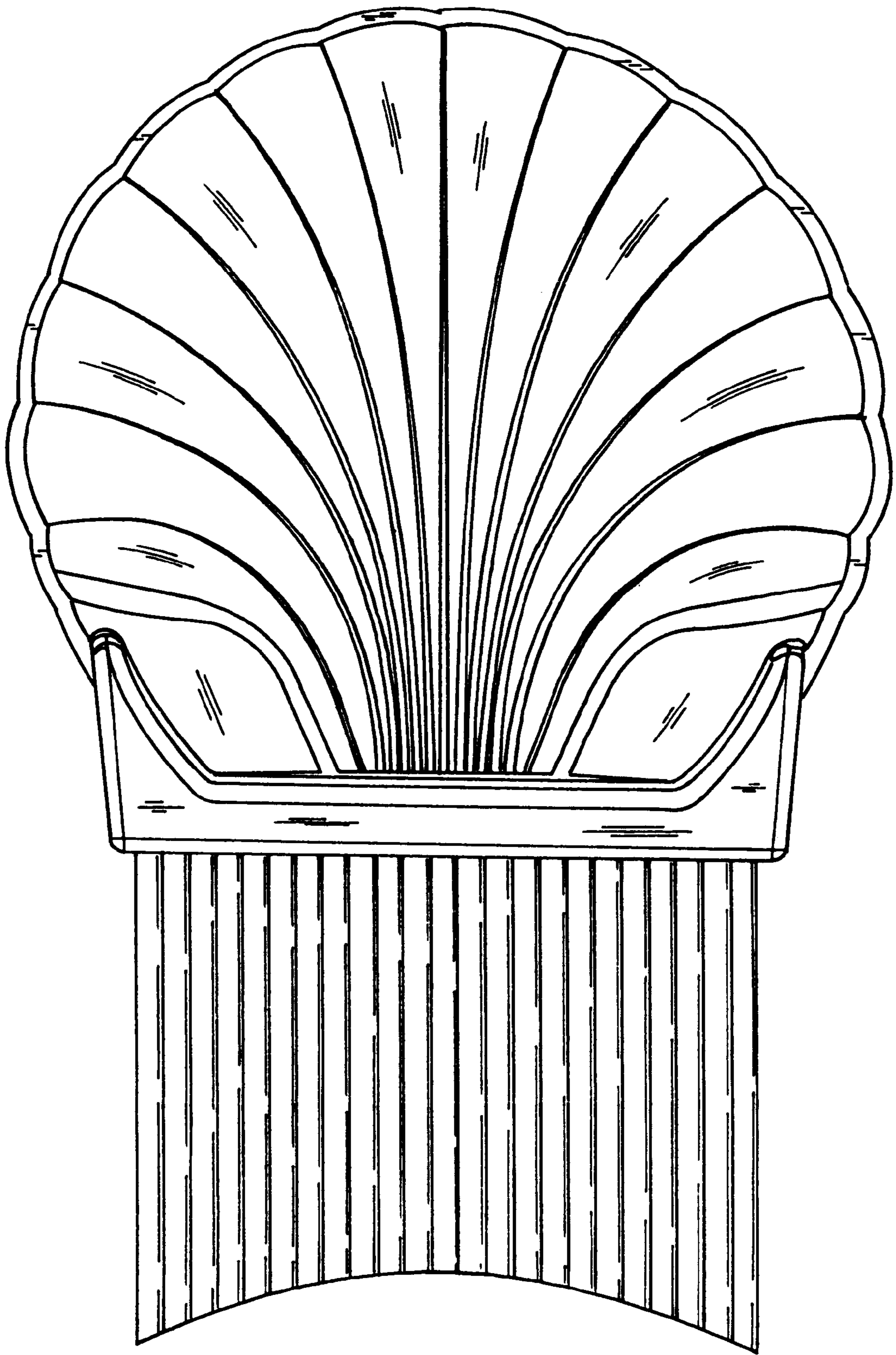
*Fig. 3*



*Fig. 4*



*Fig. 5*



*Fig. 6*