



US00D423789S

United States Patent [19] Saji

[11] Patent Number: **Des. 423,789**

[45] Date of Patent: **** May 2, 2000**

[54] **PAINT ROLLER CAGE**

[76] Inventor: **Mark Saji**, 7627 Brookmont Pl., West Hills, Calif. 91304

[**] Term: **14 Years**

[21] Appl. No.: **29/105,216**

[22] Filed: **May 20, 1999**

[51] **LOC (7) Cl.** **08-05**

[52] **U.S. Cl.** **D4/122**

[58] **Field of Search** D4/122, 199; 15/230.11; 492/13, 16-19

5,584,092 12/1996 Polzin et al. 15/230.11
5,594,971 1/1997 Nelson 15/230.11
5,784,798 7/1998 Taylor 34/58

Primary Examiner—Alan P. Douglas
Assistant Examiner—Lavone D. Tabor
Attorney, Agent, or Firm—Pennie & Edmonds L.L.P.

[57] CLAIM

The ornamental design for a paint roller cage, as shown and described.

DESCRIPTION

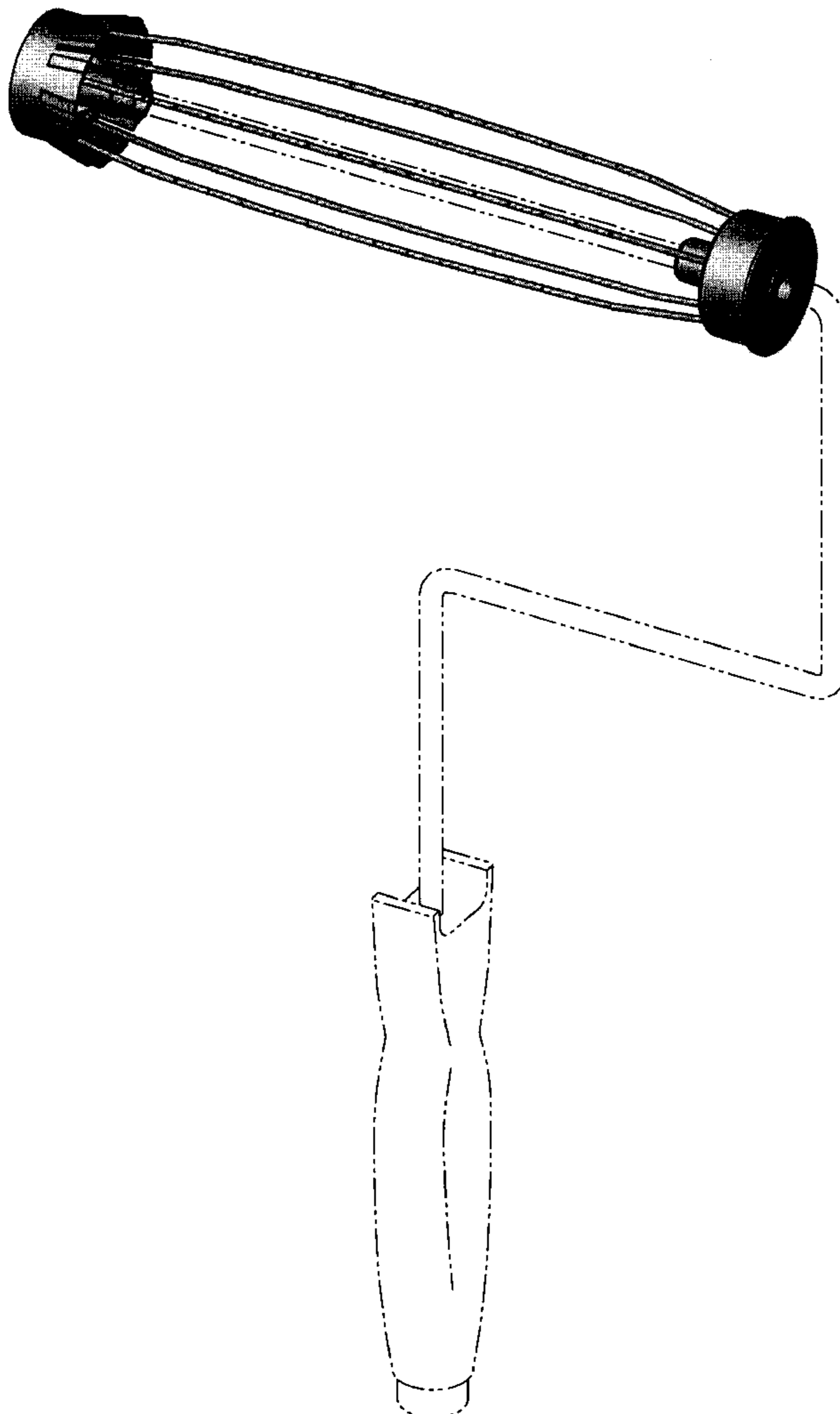
FIG. 1 is a perspective view of a paint roller cage showing my new design;
FIG. 2 is a front elevational view thereof;
FIG. 3 is a rear elevational view thereof;
FIG. 4 is left side elevational view thereof;
FIG. 5 is a right side elevational view thereof;
FIG. 6 is a top plan view thereof; and,
FIG. 7 is a bottom plan view thereof.
Those aspects depicted in broken lines are for environmental purposes only and form no part of the claimed design.

[56] References Cited

U.S. PATENT DOCUMENTS

2,669,743	2/1954	Coughlan	15/230.11
2,675,605	4/1954	Thomas	492/19
2,891,301	6/1959	Conklin	492/19
3,119,137	1/1964	Schueler	15/230.11
4,402,102	9/1983	Al-samman	15/230.11
5,345,648	9/1994	Graves	15/230.11
5,490,303	2/1996	Graves	15/230.11

1 Claim, 5 Drawing Sheets



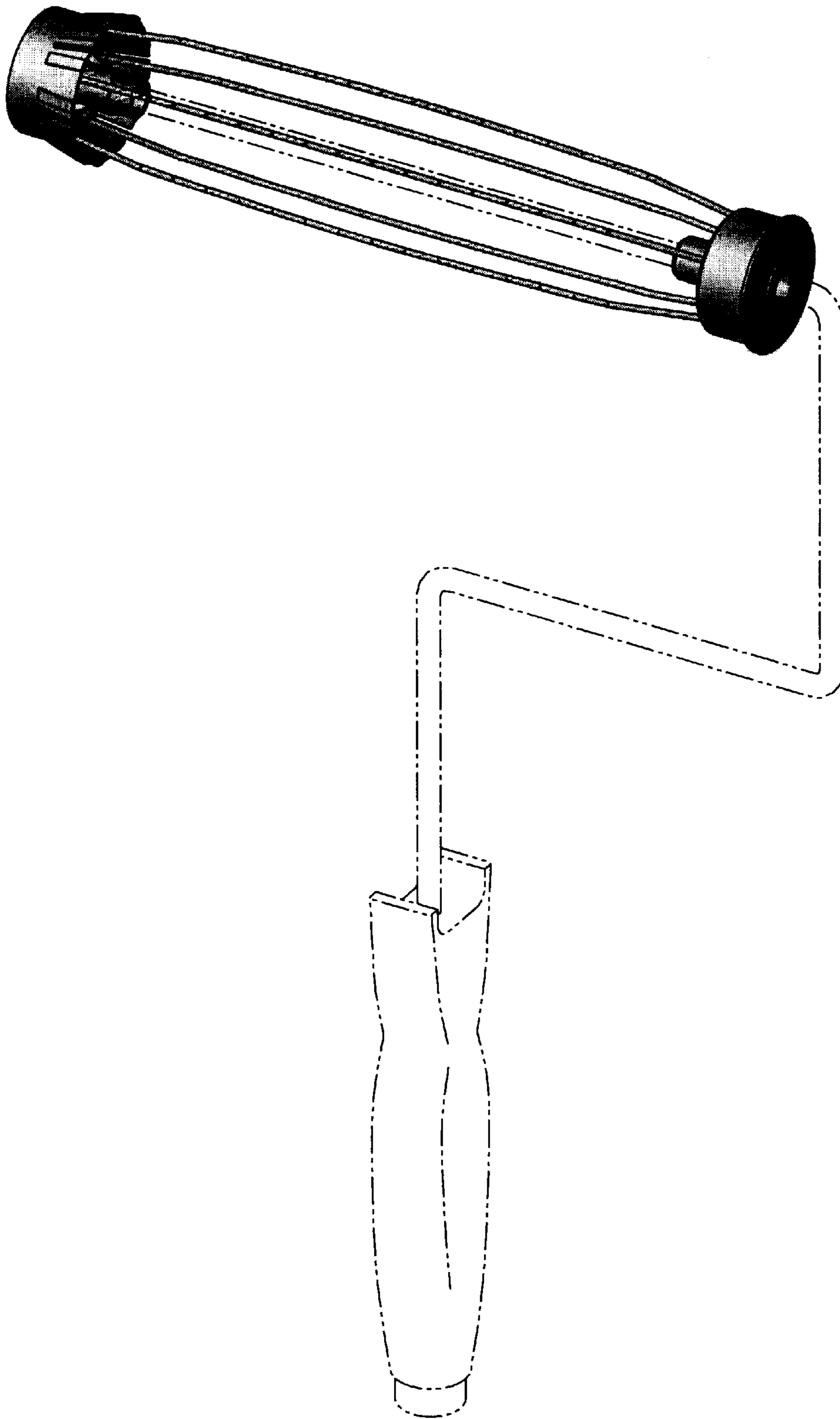


Fig. 1

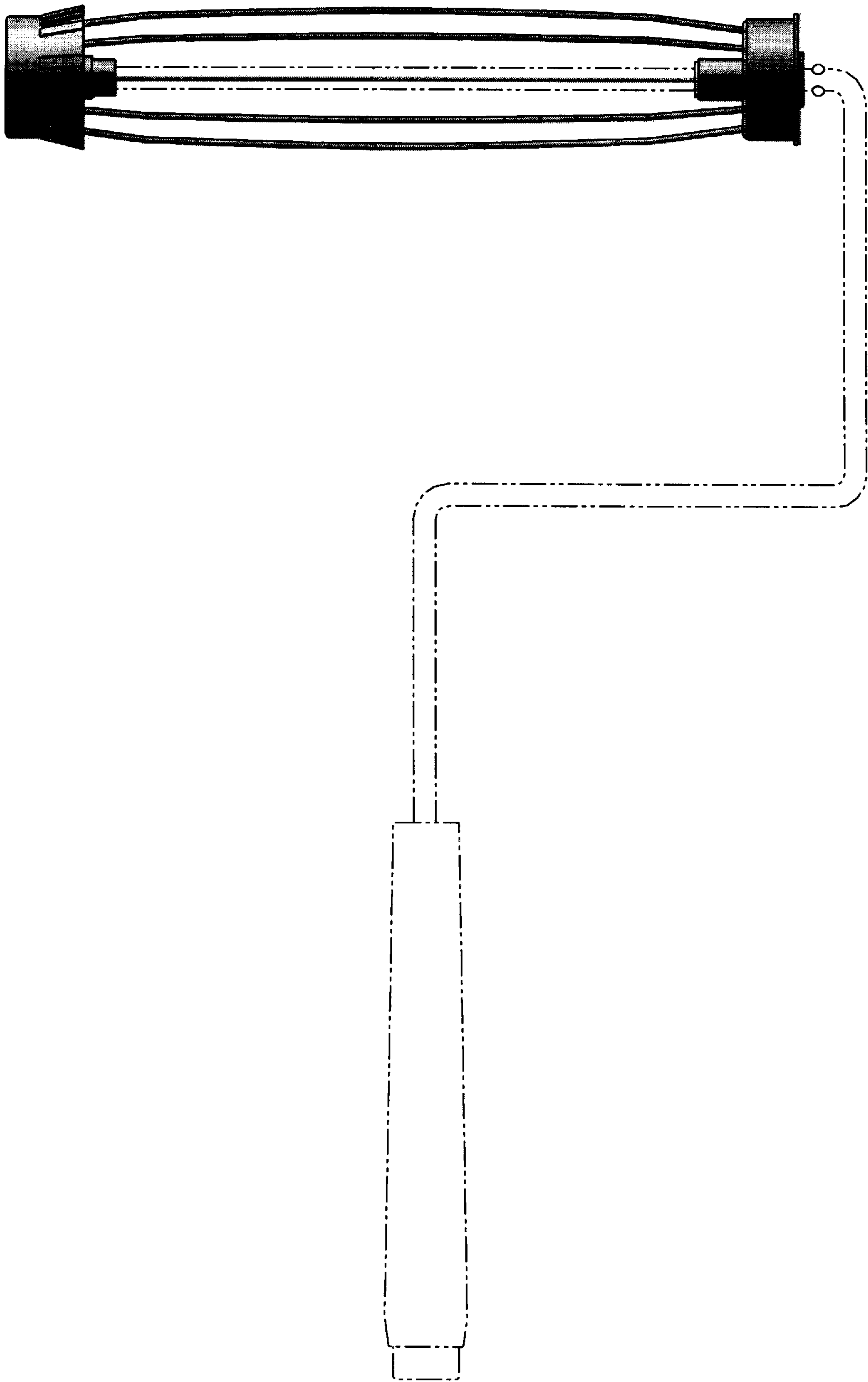


Fig. 2

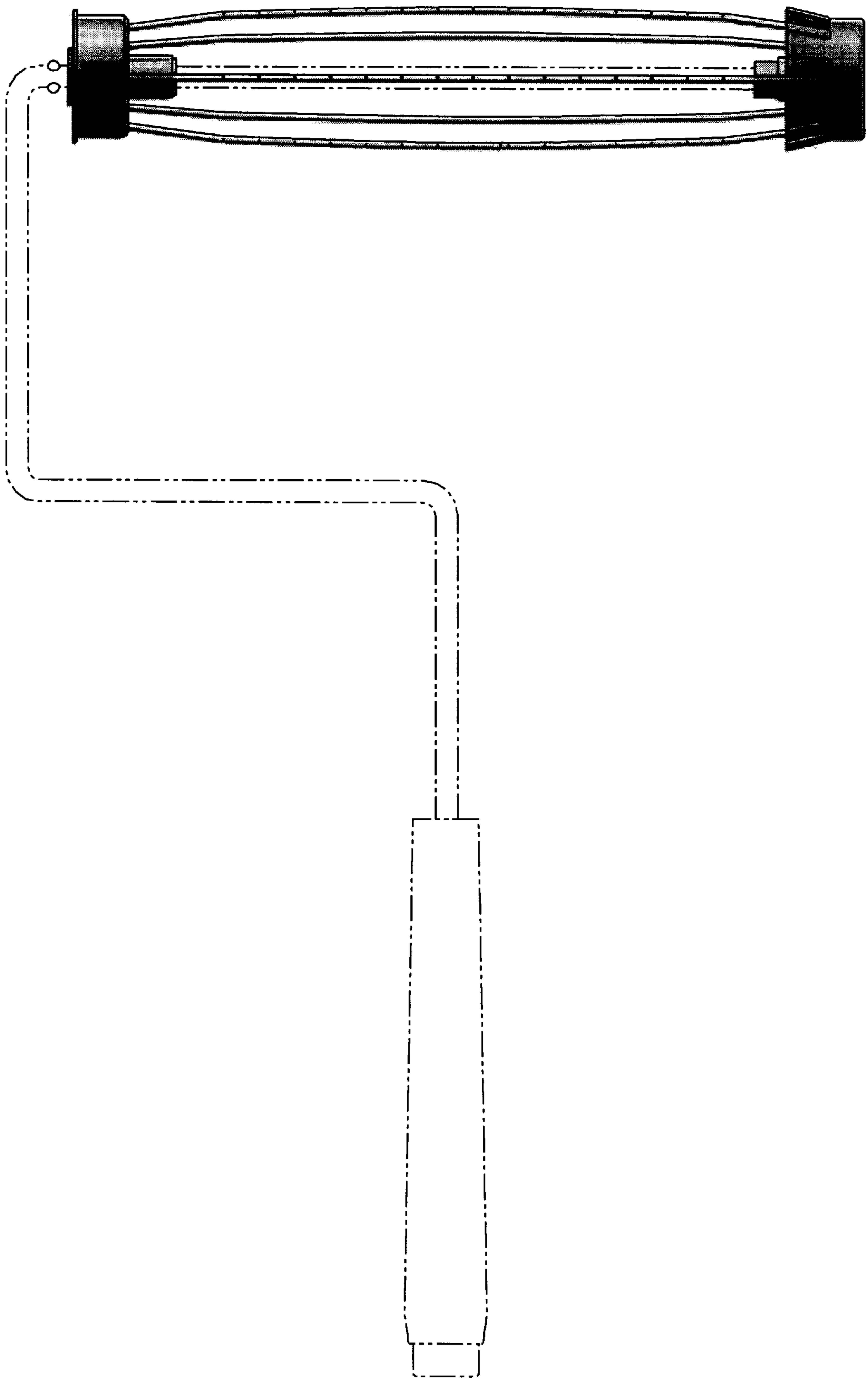


Fig. 3

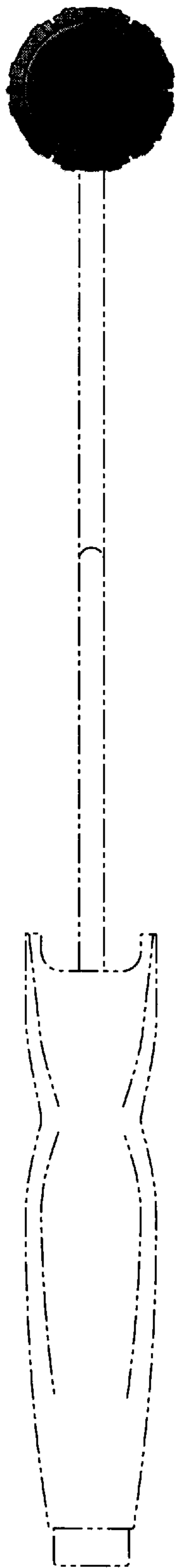


Fig. 4

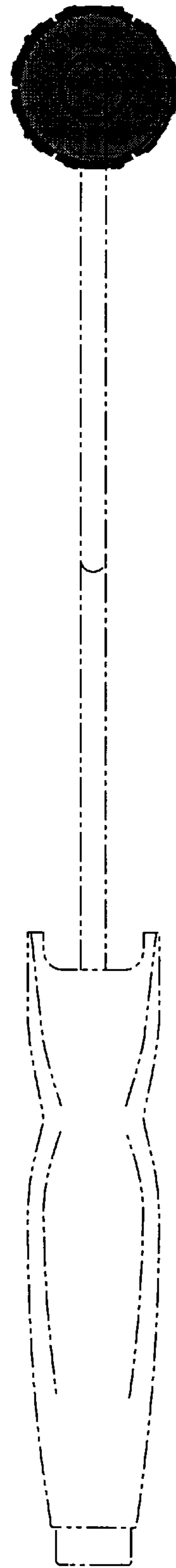


Fig. 5

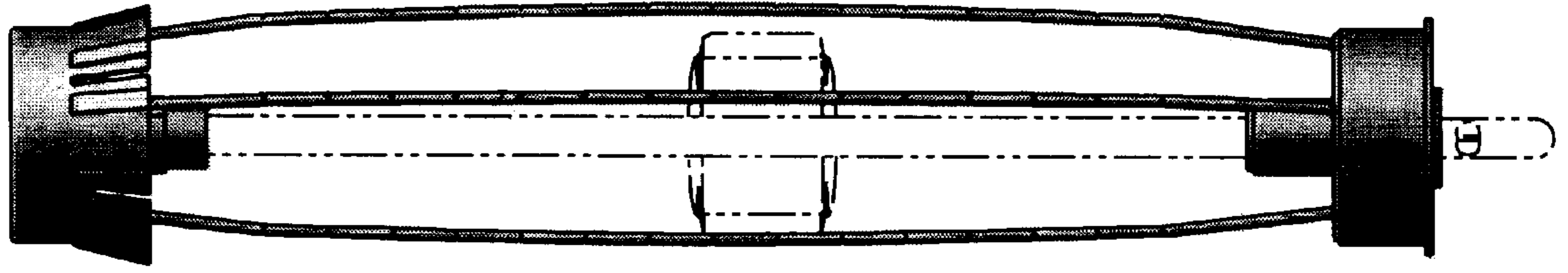


Fig. 6

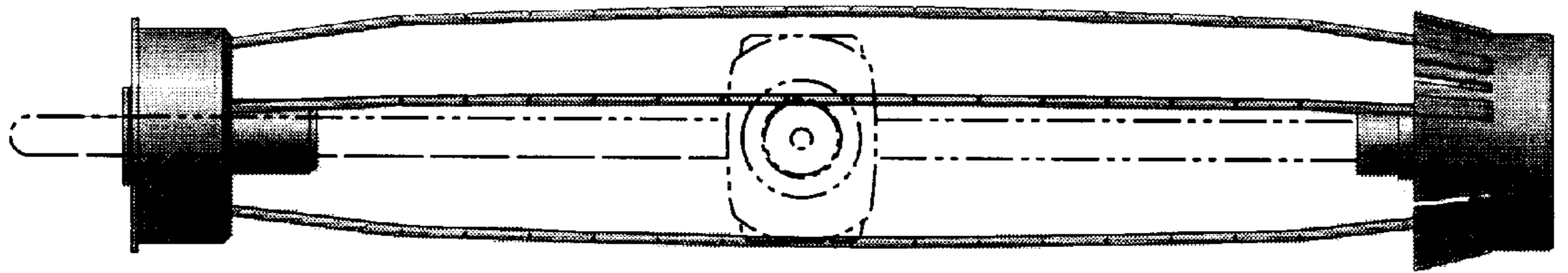


Fig. 7