



US00D423780S

# United States Patent [19] Alonge

[11] Patent Number: **Des. 423,780**

[45] Date of Patent: **\*\* May 2, 2000**

[54] **SCHOOL SUPPLY ORGANIZER**

D. 361,664 8/1995 Brown ..... D3/315  
D. 364,039 11/1995 Kruger ..... D3/315

[76] Inventor: **Andrea Alonge**, 1934 Greene Ave.,  
Ridgewood, N.Y. 11385-1966

*Primary Examiner*—Louis S. Zarfes  
*Assistant Examiner*—Catherine R. Oliver

[\*\*] Term: **14 Years**

[57] **CLAIM**

[21] Appl. No.: **29/108,306**

The ornamental design for a school supply organizer, as shown and described.

[22] Filed: **Jul. 23, 1999**

### DESCRIPTION

[51] **LOC (7) Cl.** ..... **03-01**

[52] **U.S. Cl.** ..... **D3/315**

[58] **Field of Search** ..... D3/315, 308, 901,  
D3/904, 905, 273, 291, 296, 283; D19/77,  
78; 206/1.7, 579; 190/100, 108, 109, 115

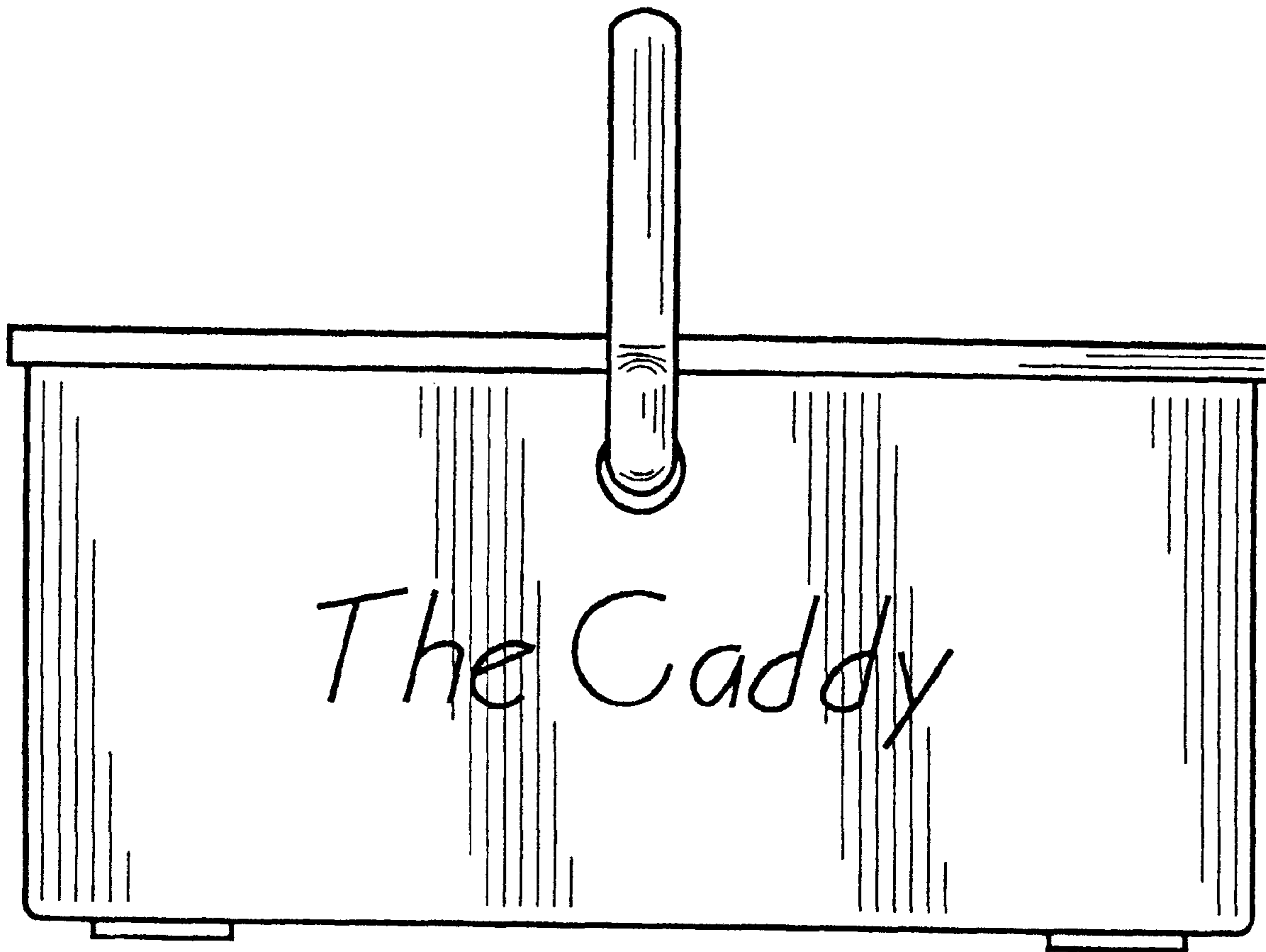
FIG. 1 is a rear elevational view of the school supply organizer of the present invention;  
FIG. 2 is a front elevational view of the school supply organizer of FIG. 1;  
FIG. 3 is a right side elevational view of the school supply organizer of FIG. 1, the left side elevational view being a mirror image thereof;  
FIG. 4 is a top plan view of the school supply organizer of FIG. 1; and,  
FIG. 5 is a bottom plan view of the school supply organizer of FIG. 1.

### [56] **References Cited**

#### U.S. PATENT DOCUMENTS

D. 28,416 3/1898 Akin ..... D19/77  
D. 154,436 7/1949 Solworth ..... D3/904  
D. 319,074 8/1991 Robinson ..... D3/901 X  
D. 347,942 6/1994 Gilbert et al. .... D3/308  
D. 355,763 2/1995 Sun ..... D3/901 X

**1 Claim, 2 Drawing Sheets**



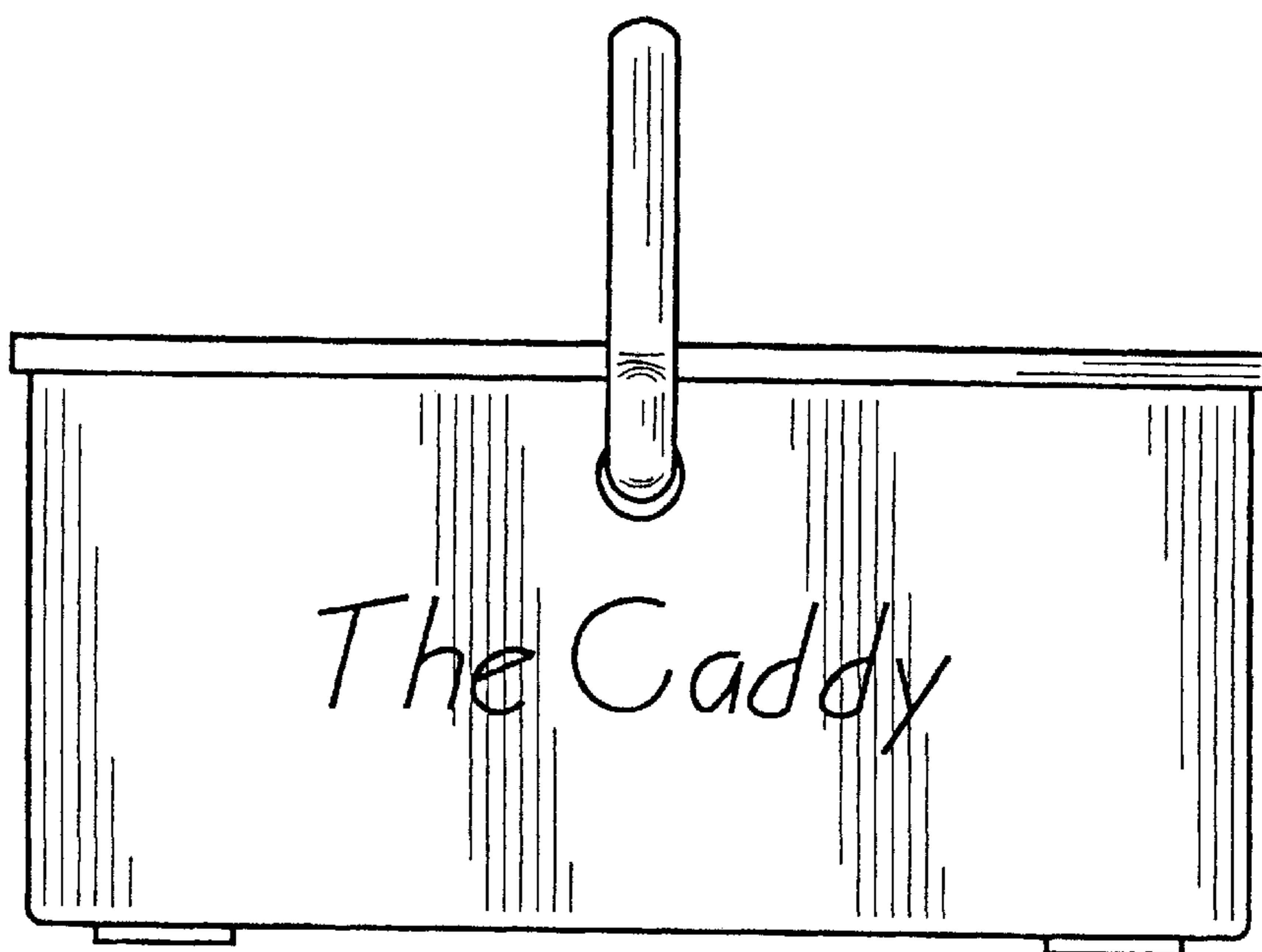


FIG. 1

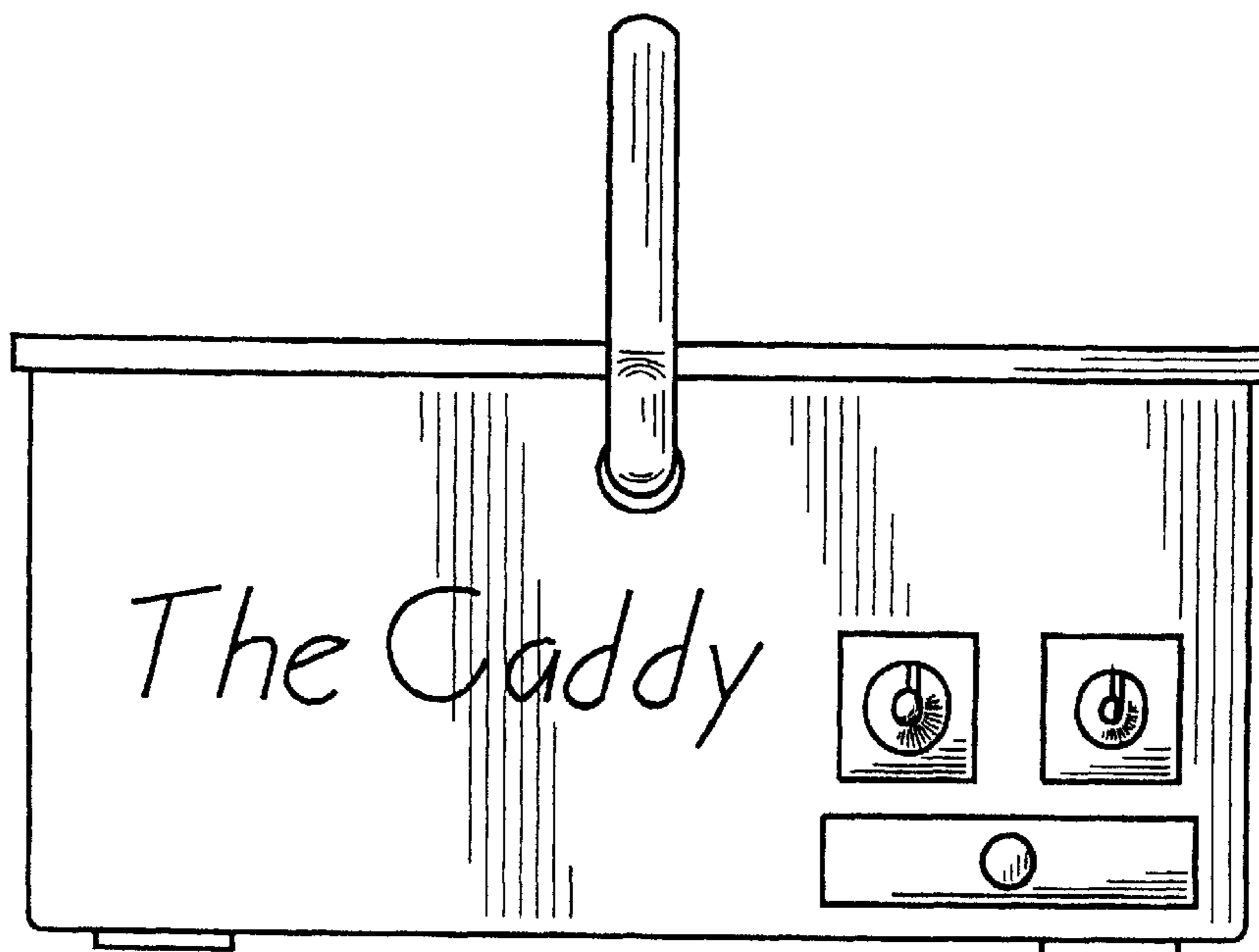


FIG. 2

FIG. 3

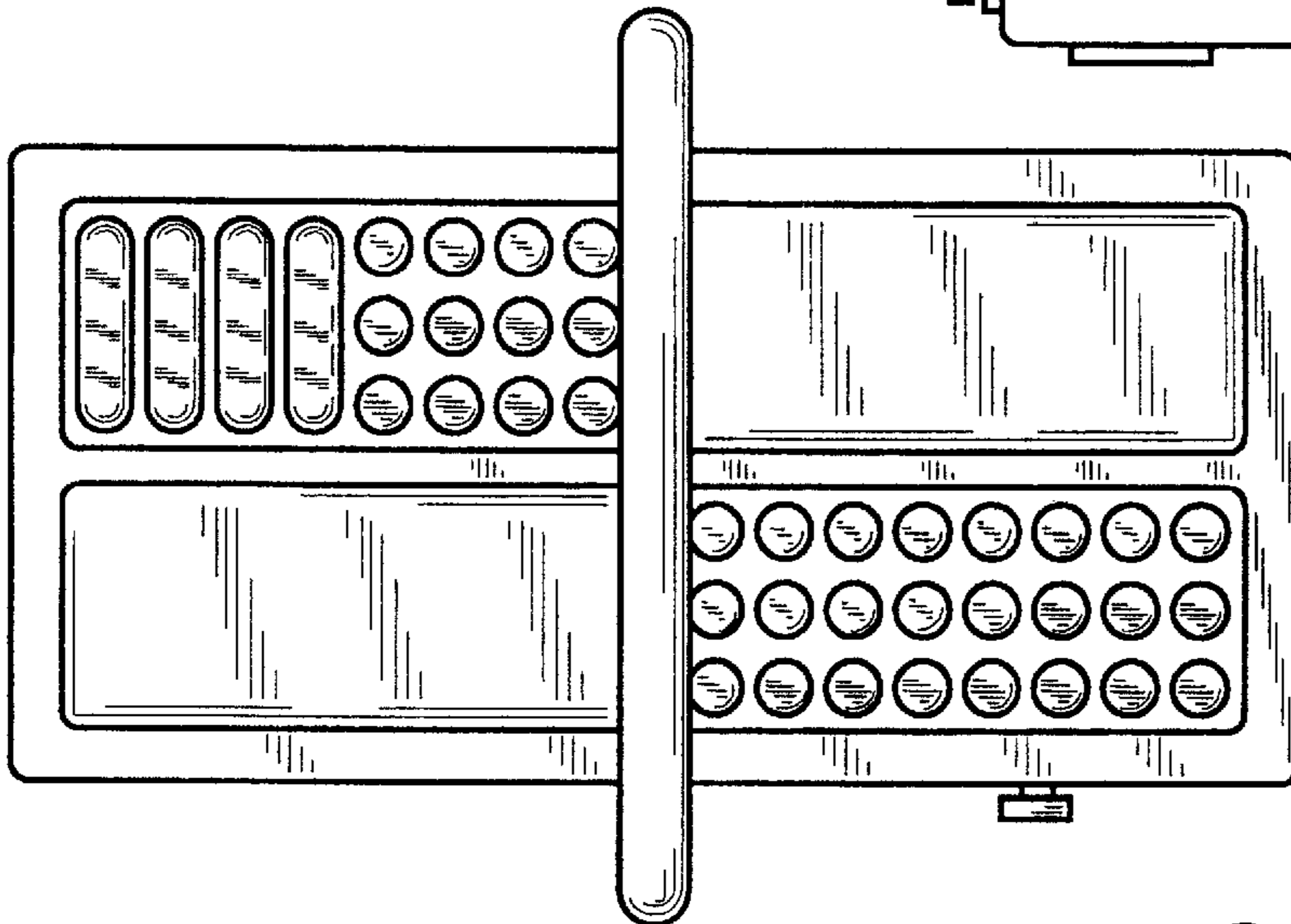
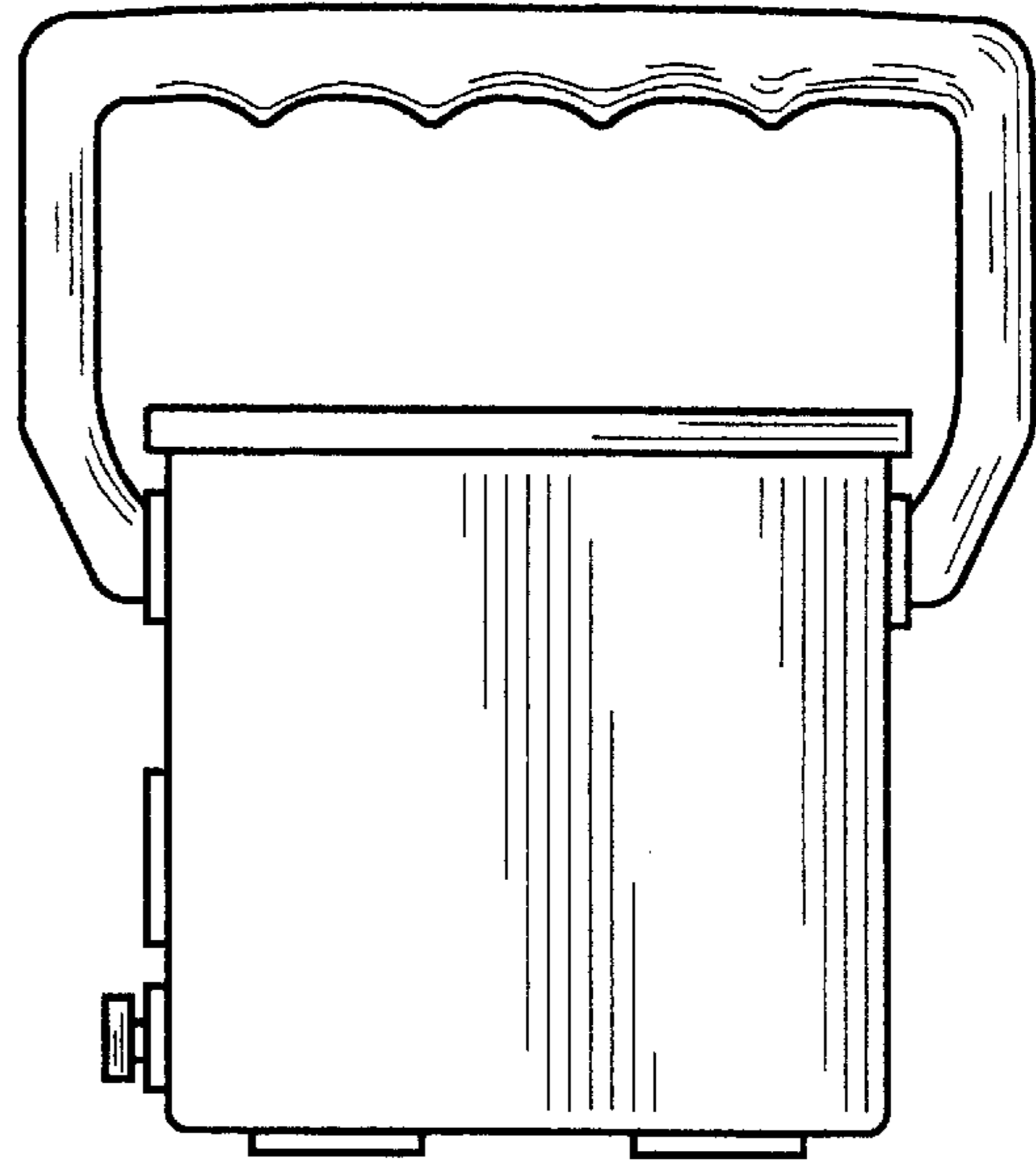


FIG. 4

FIG. 5

