



US00D423779S

# United States Patent [19] Goatcher

[11] Patent Number: **Des. 423,779**

[45] Date of Patent: **\*\* May 2, 2000**

[54] **CARRYING CASE FOR FISHING GEAR**

[76] Inventor: **Thomas Goatcher**, 25804 Basil Ct.,  
Moreno Valley, Calif. 92553

[\*\*] Term: **14 Years**

[21] Appl. No.: **29/109,216**

[22] Filed: **Aug. 11, 1999**

[51] **LOC (7) Cl.** ..... **03-01**

[52] **U.S. Cl.** ..... **D3/283; D3/286; D3/290;**  
D3/905

[58] **Field of Search** ..... D3/273, 276, 283,  
D3/285, 287, 282, 289, 301, 905; 206/315.1,  
315.11, 372, 373; 190/100, 110, 112

[56] **References Cited**

**U.S. PATENT DOCUMENTS**

D. 293,736	1/1988	Ghiassi	.....	D3/283
D. 325,128	4/1992	Cyr et al.	.....	D3/287
D. 340,621	10/1993	Melk	.....	D3/287
D. 345,255	3/1994	Hughes	.....	D3/287
D. 376,044	12/1996	Trawick et al.	.....	D3/283
D. 414,932	10/1999	Platte, III	.....	D3/276

4,151,938	5/1979	Barker et al.	.....	224/183
4,691,469	1/1988	Alsobrook et al.	.....	206/315.11
5,014,359	5/1991	Hanson	.....	2/94
5,275,316	1/1994	Kish	.....	224/210
5,632,113	5/1997	Raymond	.....	43/54.1

*Primary Examiner*—Philip S. Hyder  
*Attorney, Agent, or Firm*—Goldstein & Canino

[57] **CLAIM**

The ornamental design for a carrying case for fishing gear, as shown and described.

**DESCRIPTION**

FIG. 1 is a diagrammatic perspective view of a carrying case for fishing gear.

FIG. 2 is a front elevational view thereof.

FIG. 3 is a rear elevational view thereof.

FIG. 4 is a left side elevational view thereof.

FIG. 5 is a right side elevational view thereof.

FIG. 6 is a top plan view of the carrying case for fishing gear; and,

FIG. 7 is a bottom plan view thereof.

**1 Claim, 4 Drawing Sheets**

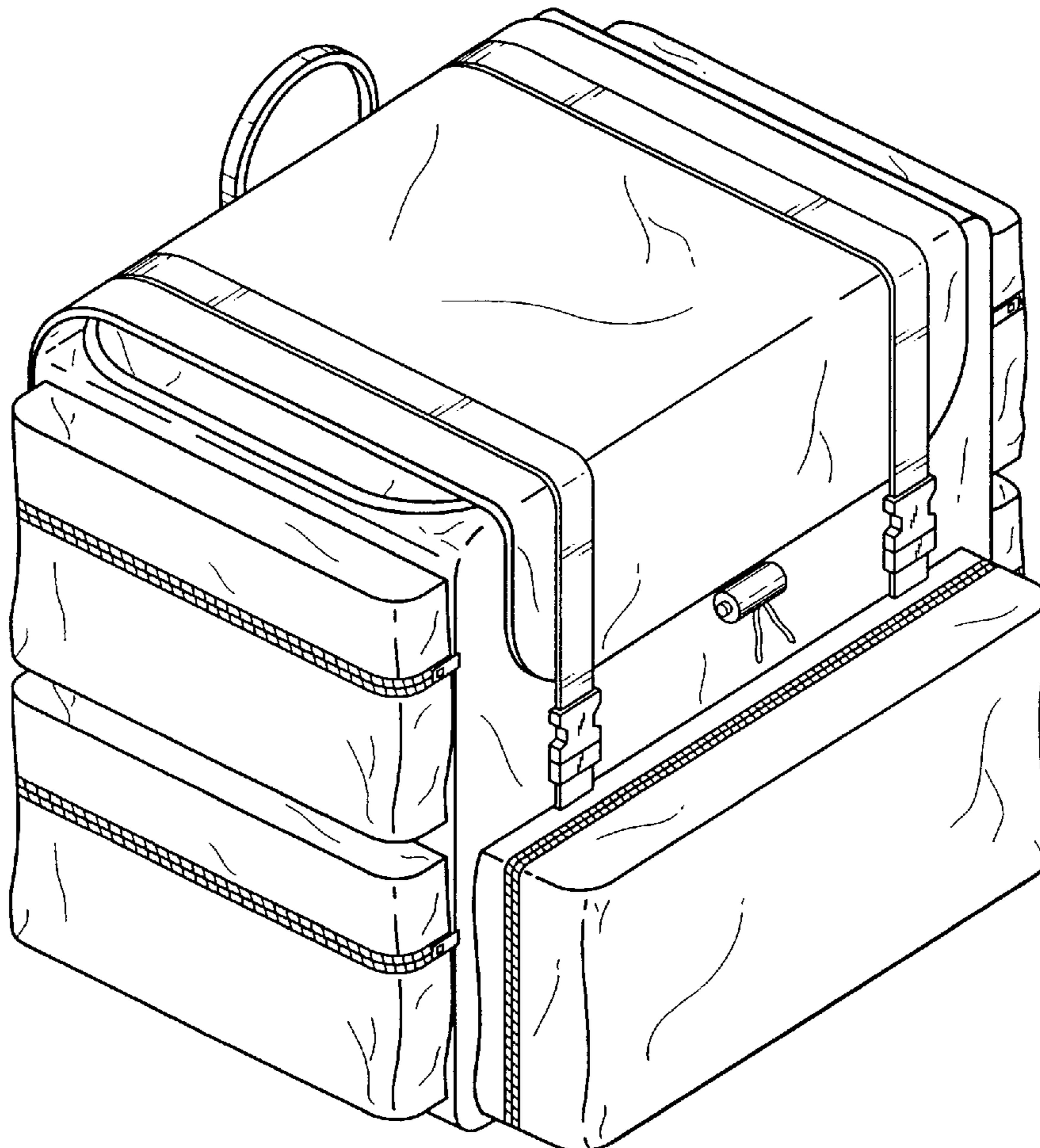


FIG. 1

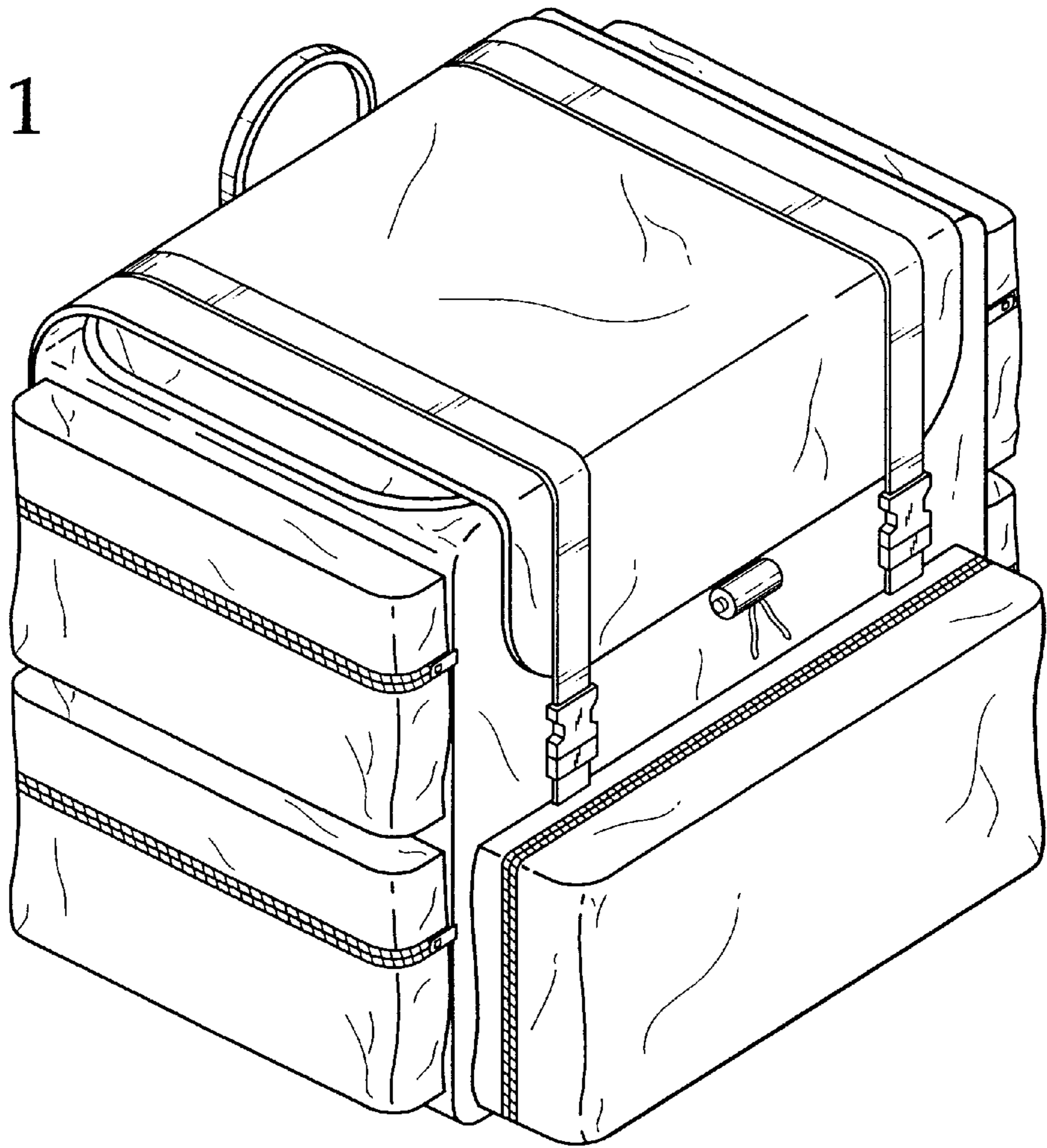




FIG. 2

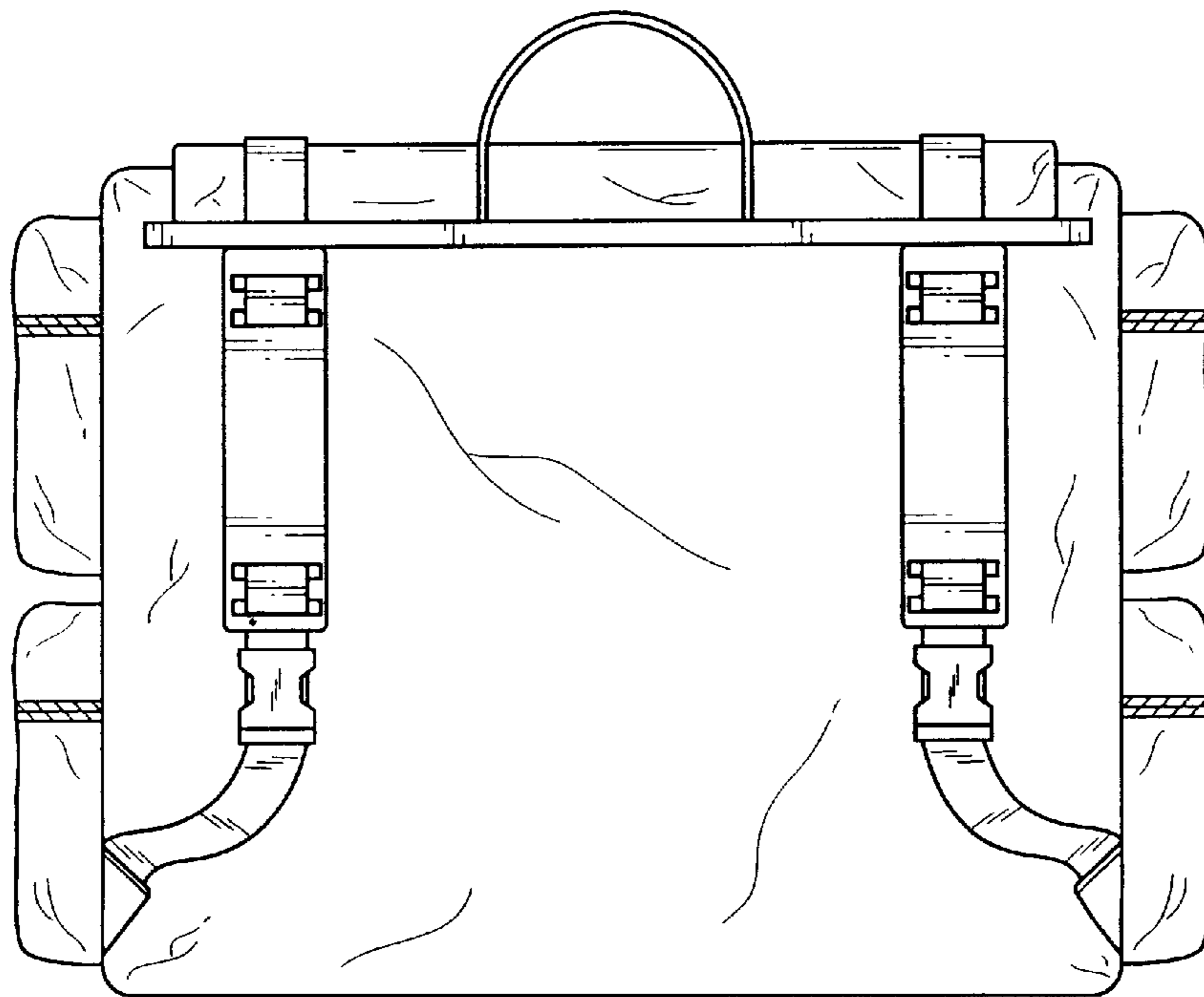


FIG. 3

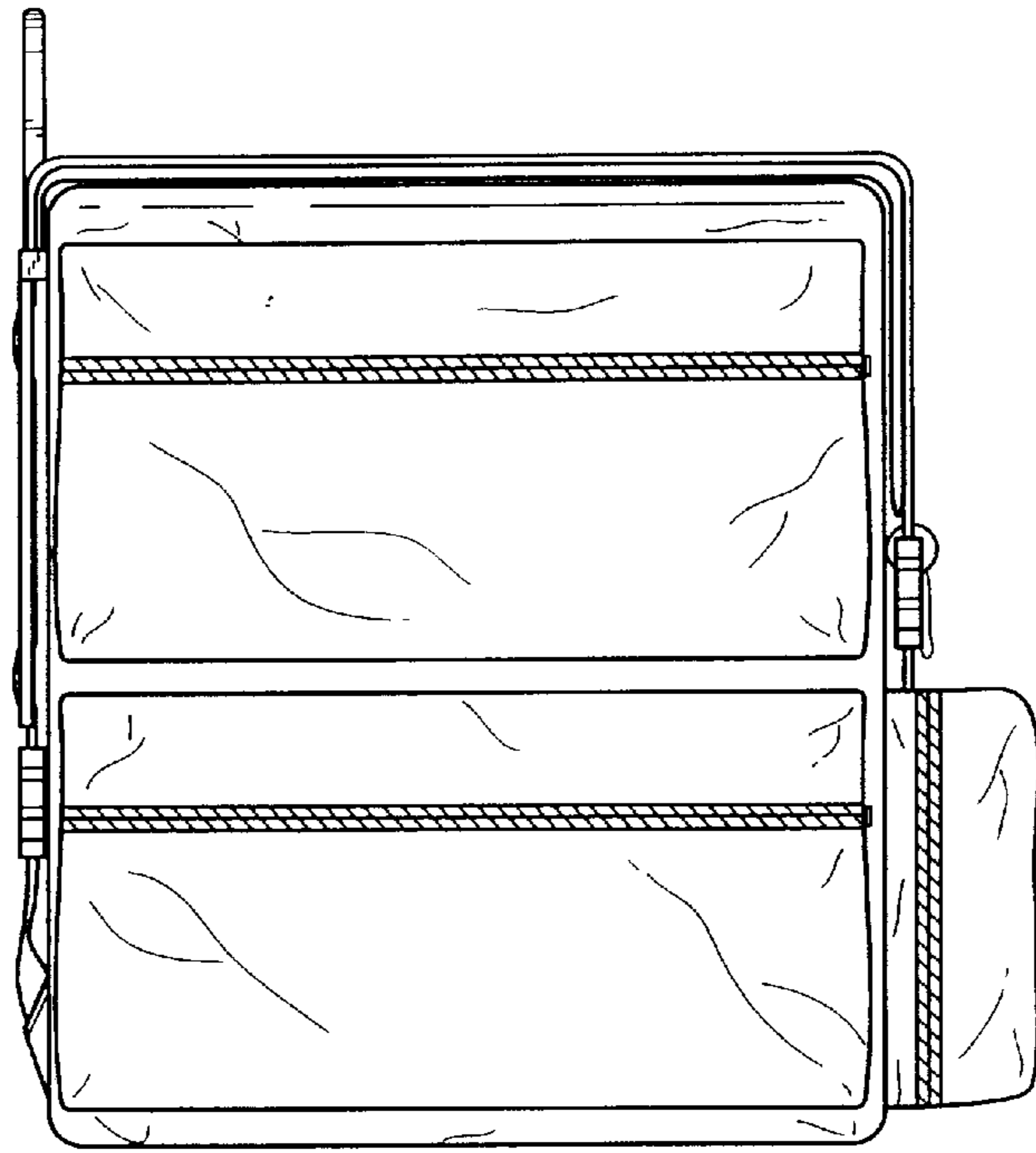


FIG. 4

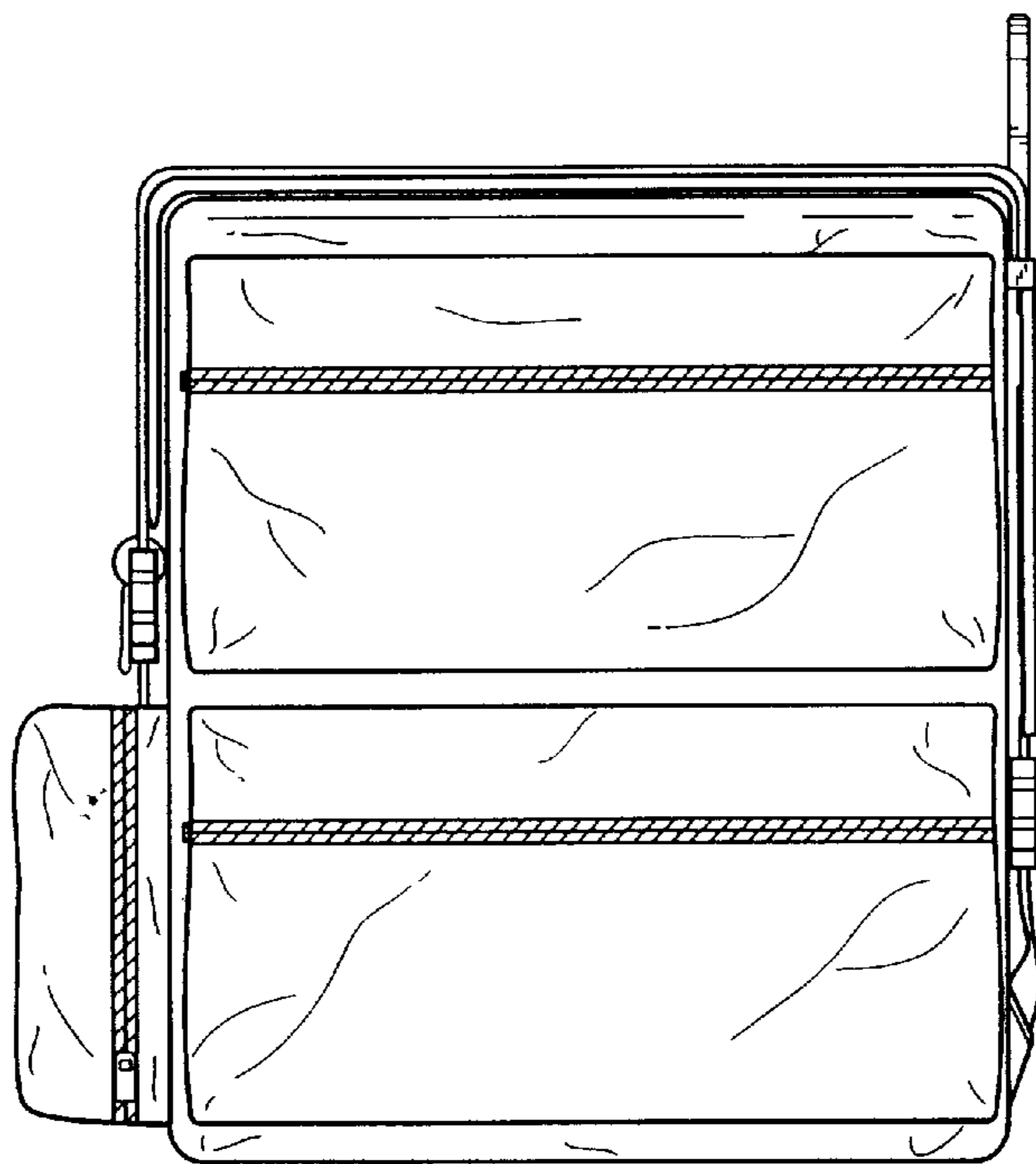


FIG. 5

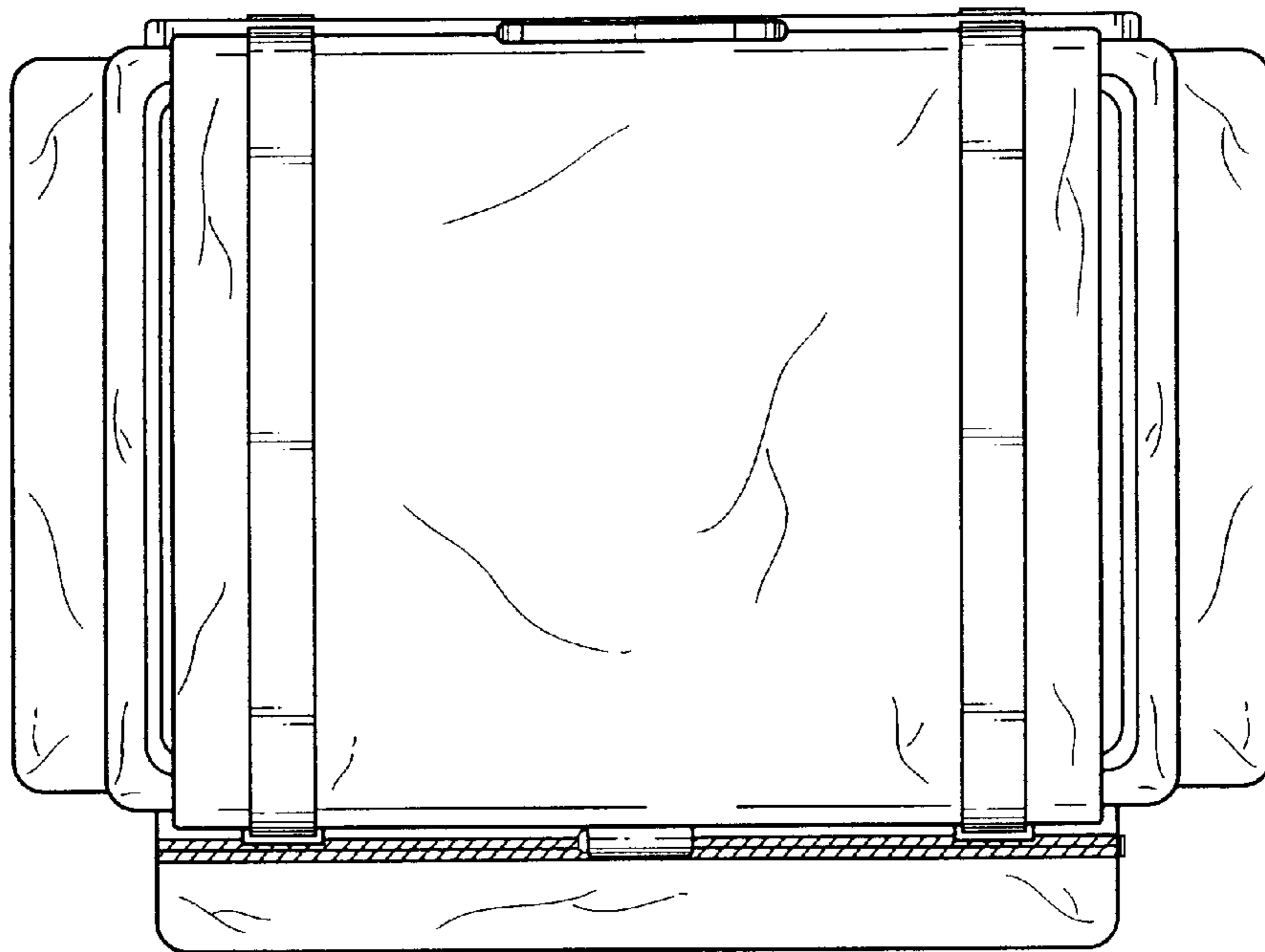


FIG. 6

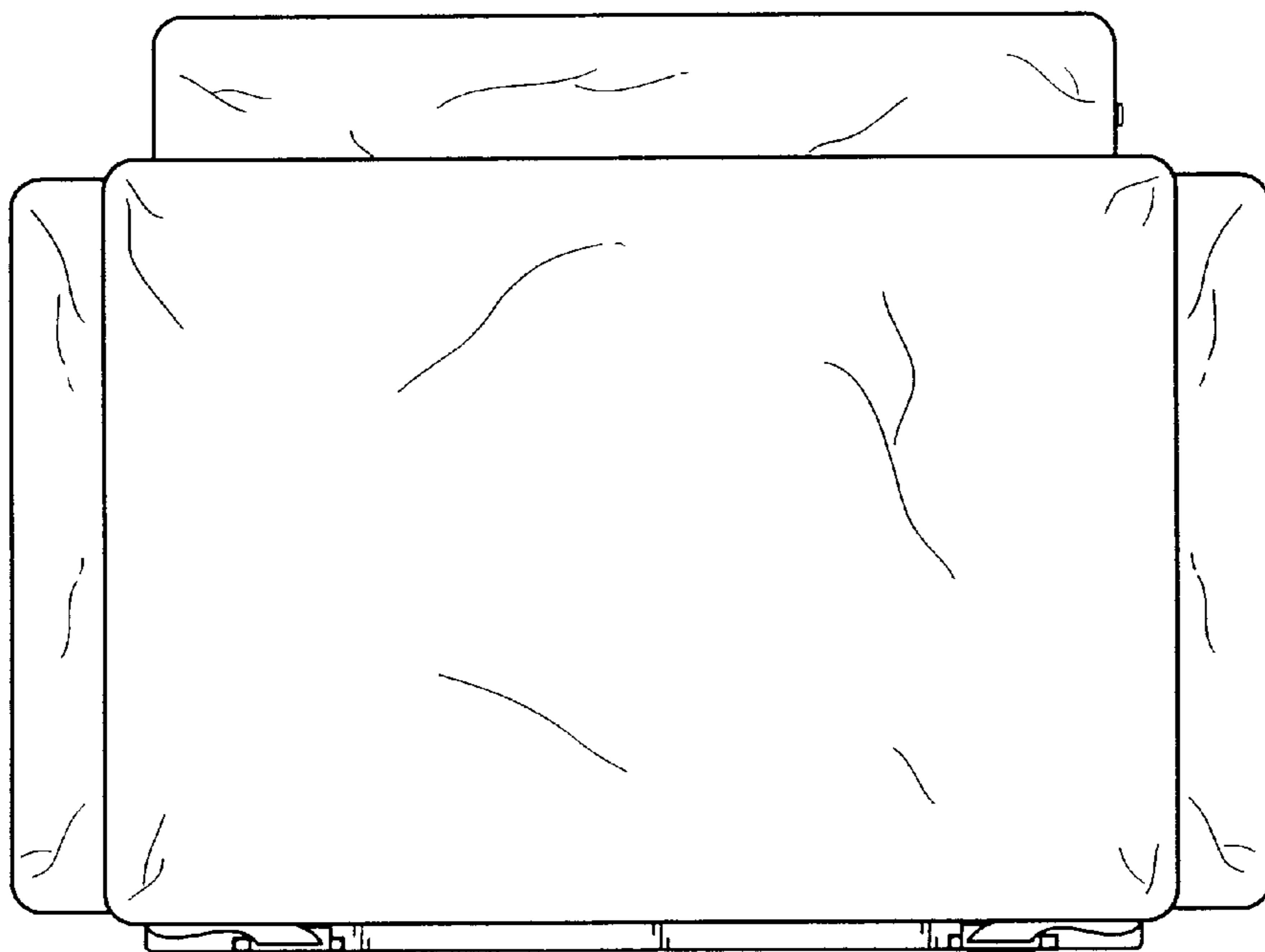


FIG. 7