



US00D423777S

# United States Patent [19]

[11] **Patent Number: Des. 423,777**

**Folisi**

[45] **Date of Patent: \*\* \*May 2, 2000**

[54] **SUNGLASS HOLDER**

2,915,267	12/1959	Kaysing	.....	248/316.6
5,100,006	3/1992	Forrester	.....	211/85.1
5,415,371	5/1995	Kirchner	.....	248/316.4
5,684,258	11/1997	Liao	.....	84/421

[75] Inventor: **Anthony C. Folisi**, Glenn Ellyn, Ill.

[73] Assignee: **Sun Clipper, Inc.**, Glen Ellyn, Ill.

[\*] Notice: This patent is subject to a terminal disclaimer.

*Primary Examiner*—Celia Murphy  
*Attorney, Agent, or Firm*—Mark E. Wiemelt

[\*\*] Term: **14 Years**

### [57] CLAIM

[21] Appl. No.: **29/105,999**

The ornamental design for a sunglass holder, as shown and described.

[22] Filed: **Jun. 4, 1999**

### DESCRIPTION

[51] **LOC (7) Cl.** ..... **03-01**

FIG. 1 is a perspective view of the sunglass holder of my design;

[52] **U.S. Cl.** ..... **D3/266**

FIG. 2 is a top view of the sunglass holder of my design;

[58] **Field of Search** ..... D3/263, 265, 266, D3/207, 247; D9/314, 451, 529; 206/5; 84/421; 211/85.1, 85.7; 248/316.2, 316.4, 316.7, 229.26, 309.1, 902

FIG. 3 is a left-side view of the sunglass holder of my design;

FIG. 4 is a bottom view of the sunglass holder of my design

FIG. 5 is a front view of the sunglass holder of my design; and,

FIG. 6 is a rear view of the sunglass holder of my design.

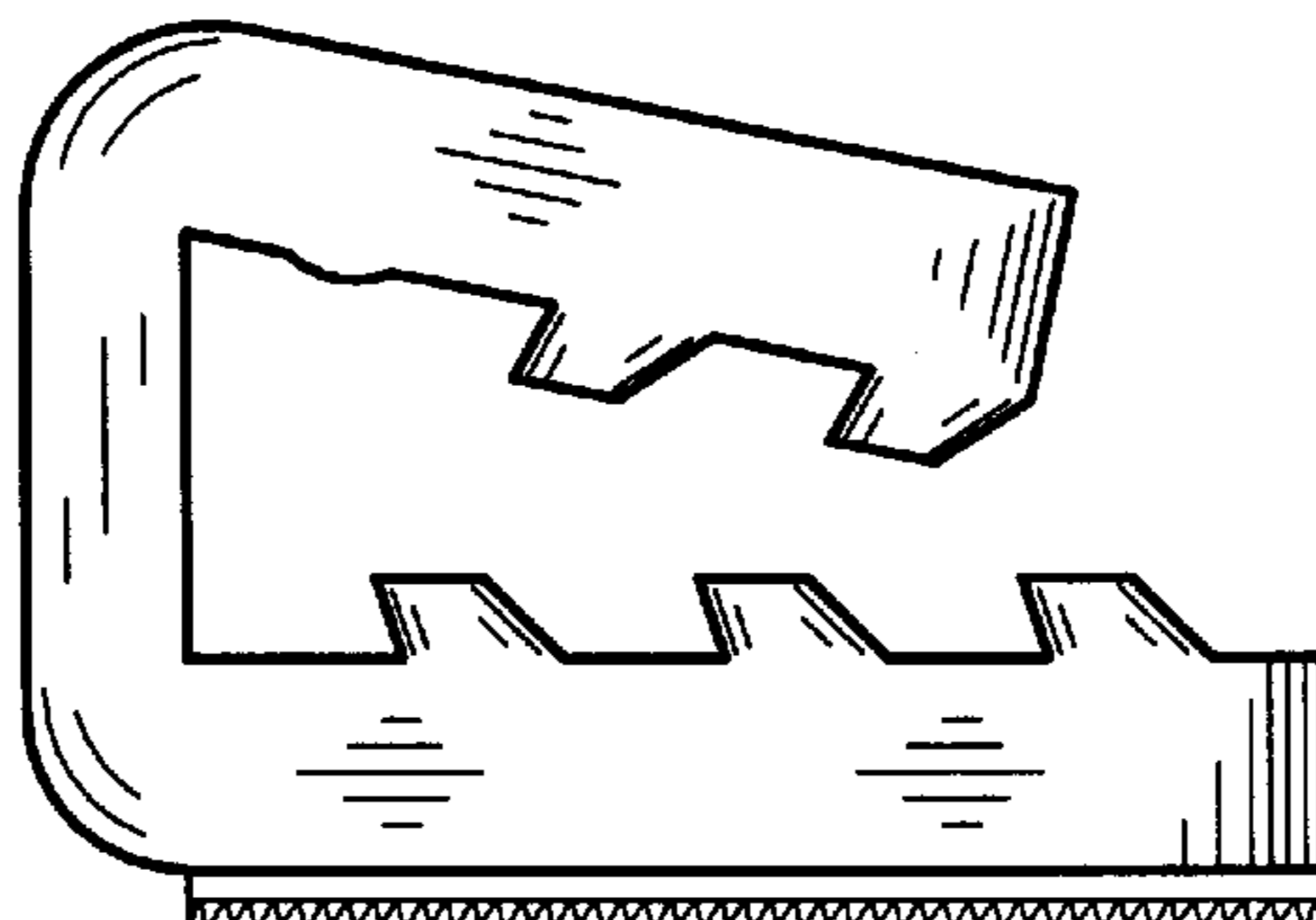
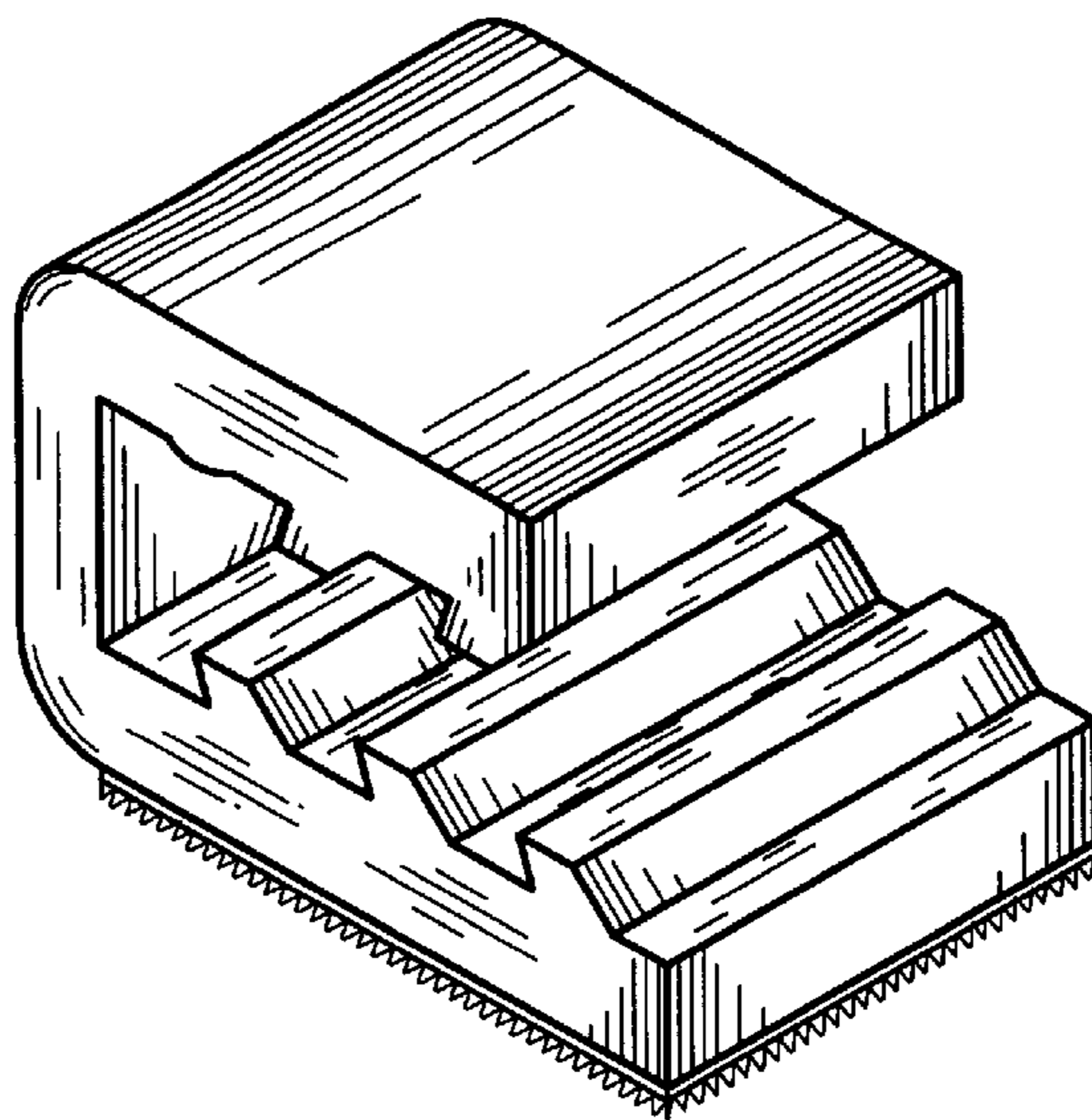
The bottom portion of the claimed sunglass holder shown in FIGS. 1, 3, 4, and 5 is understood to represent the loop portion of a hook and loop fastener.

### [56] References Cited

#### U.S. PATENT DOCUMENTS

D. 306,868	3/1990	Manuel	.....	D3/266
D. 408,629	4/1999	Cortez	.....	D3/266
2,767,854	10/1956	Barrett	.....	211/85.7
2,884,220	4/1959	Manley	.....	248/316.8

**1 Claim, 2 Drawing Sheets**



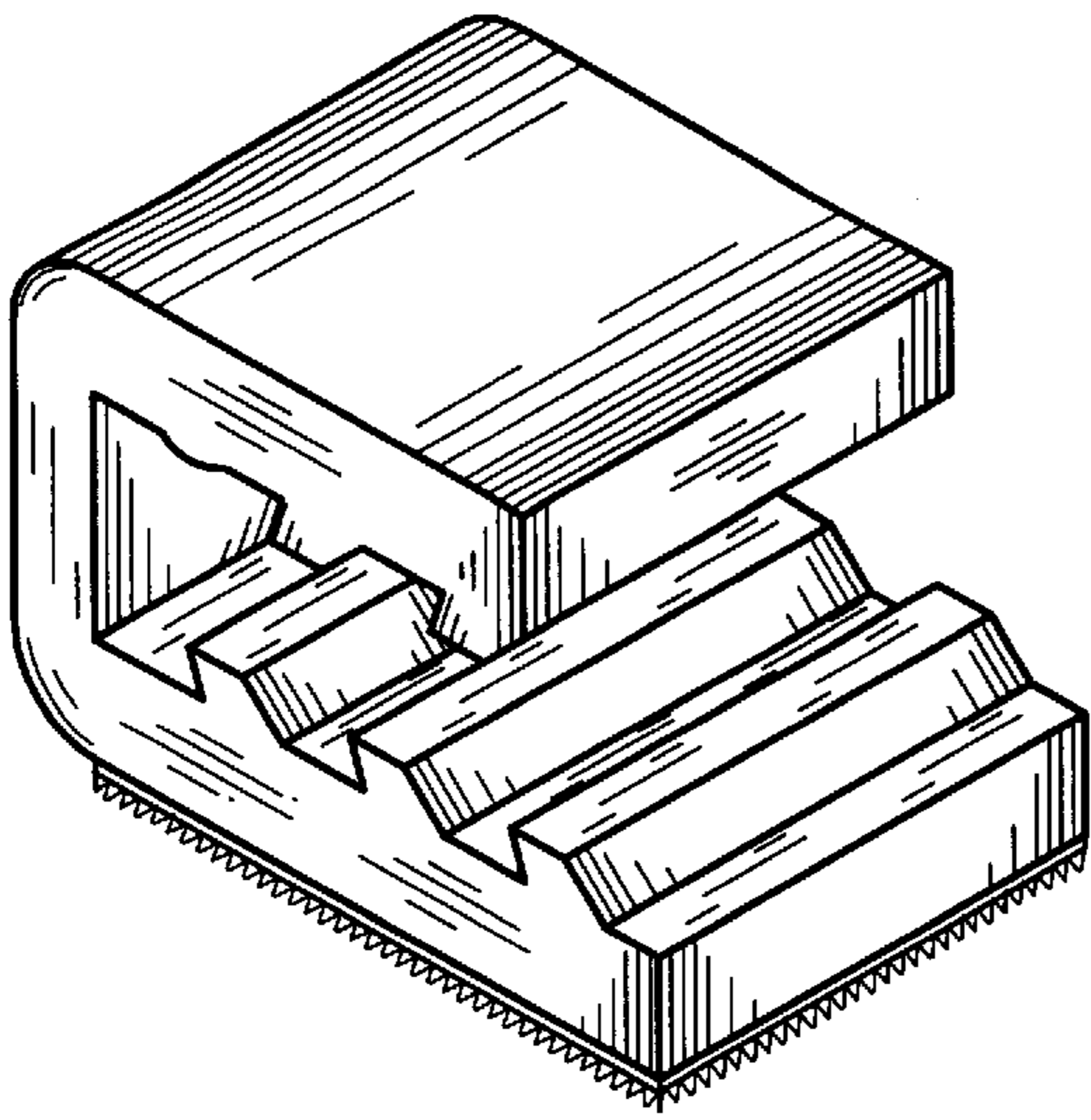


FIG. 1

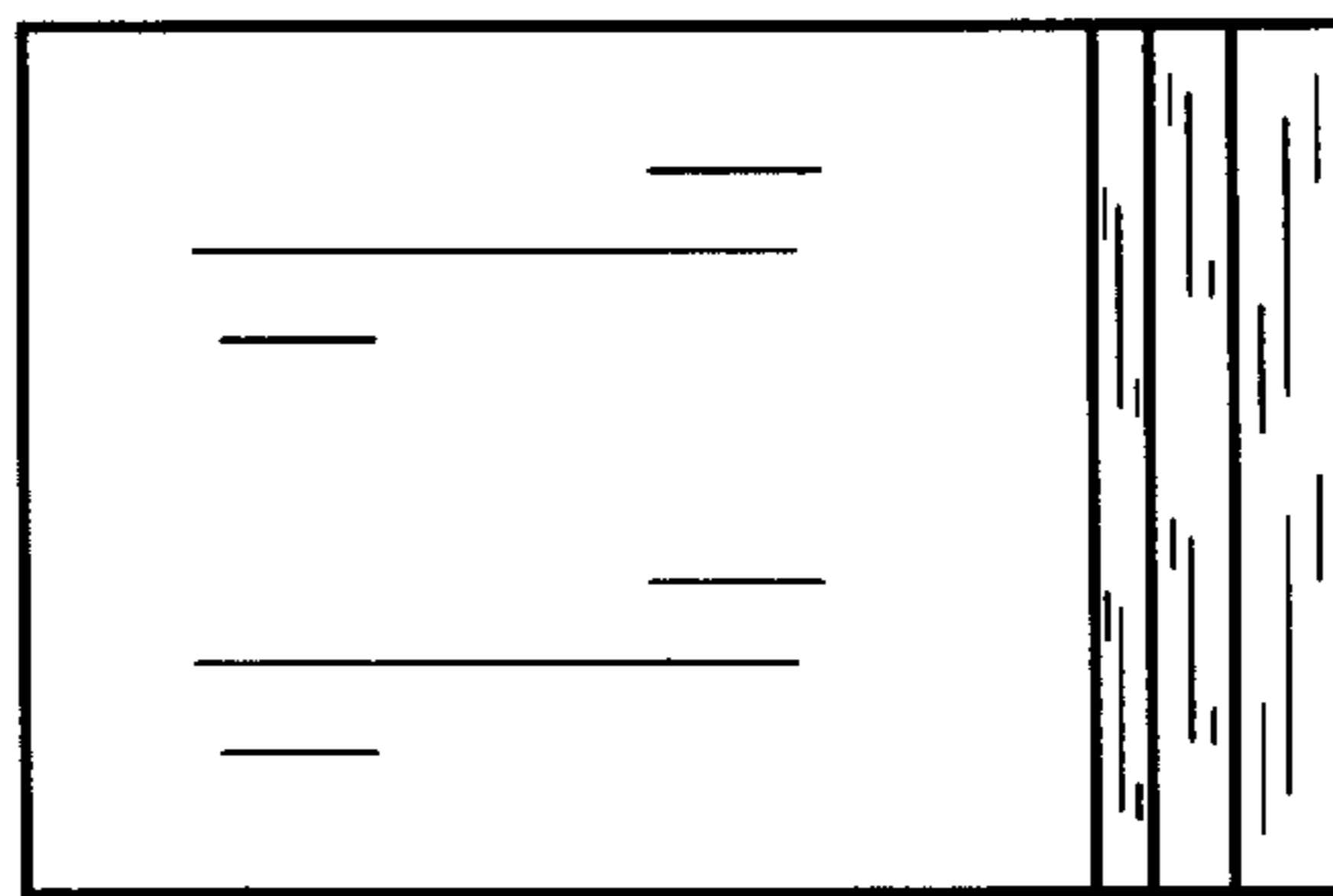


FIG. 2

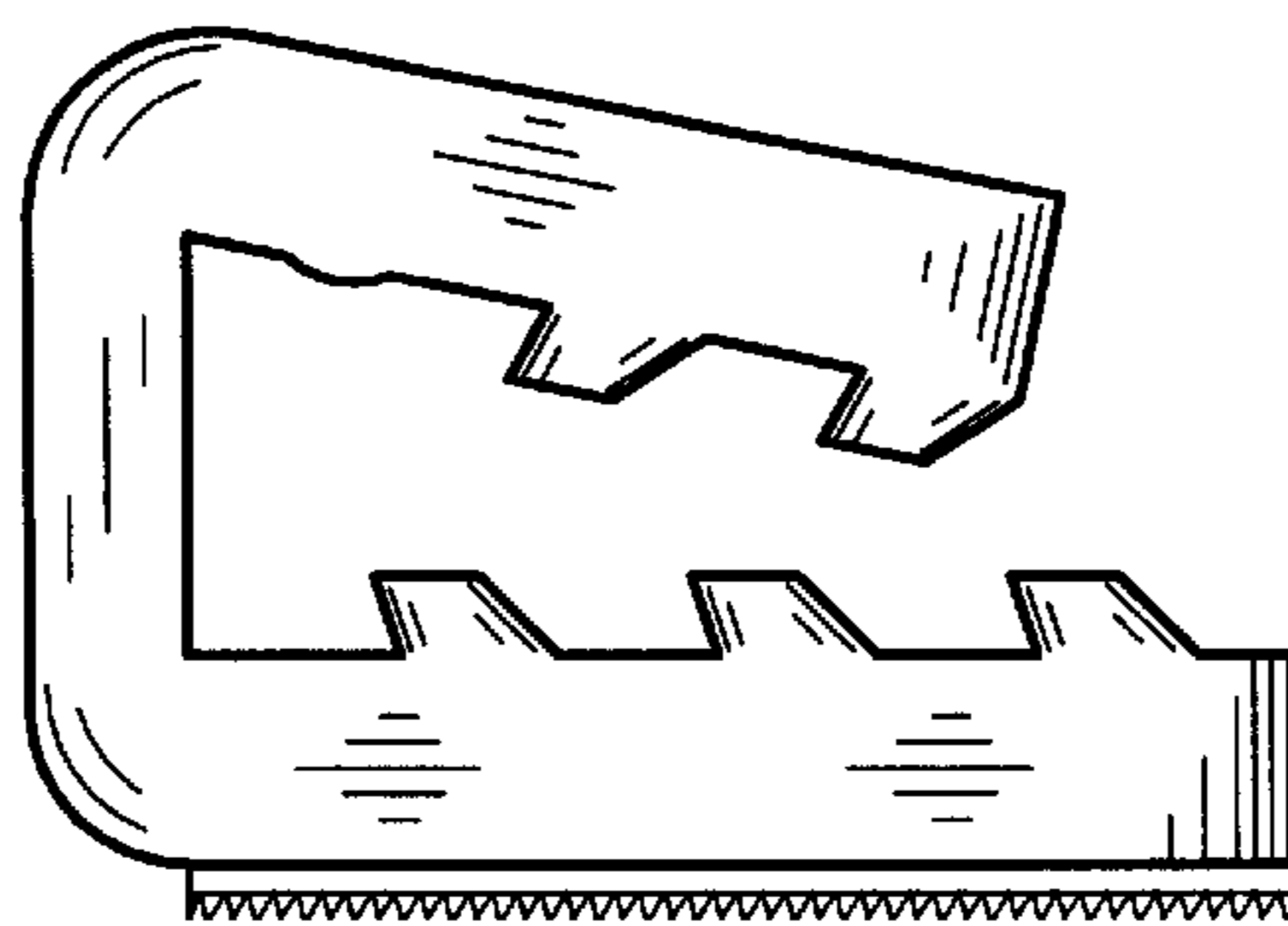


FIG. 3

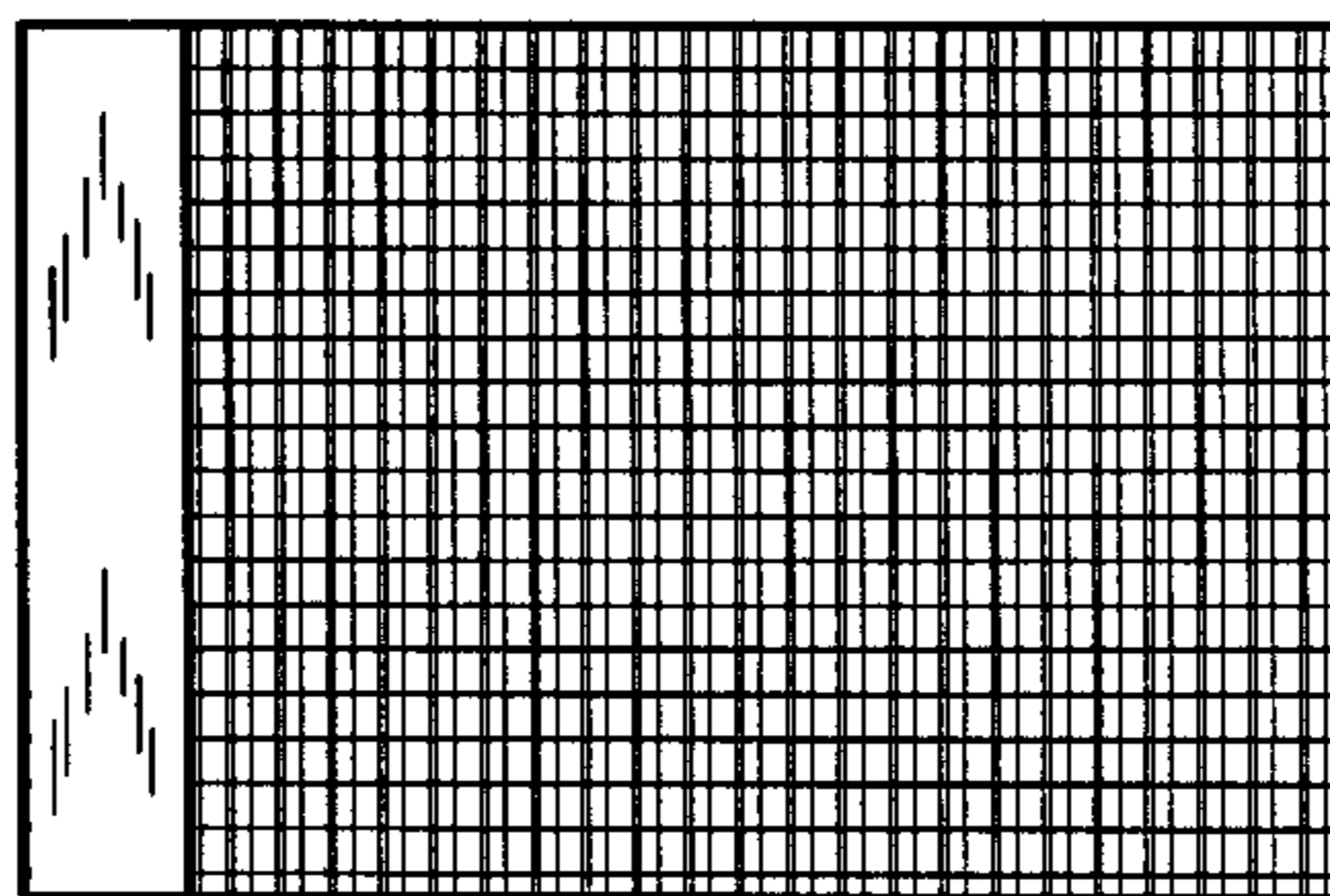


FIG. 4

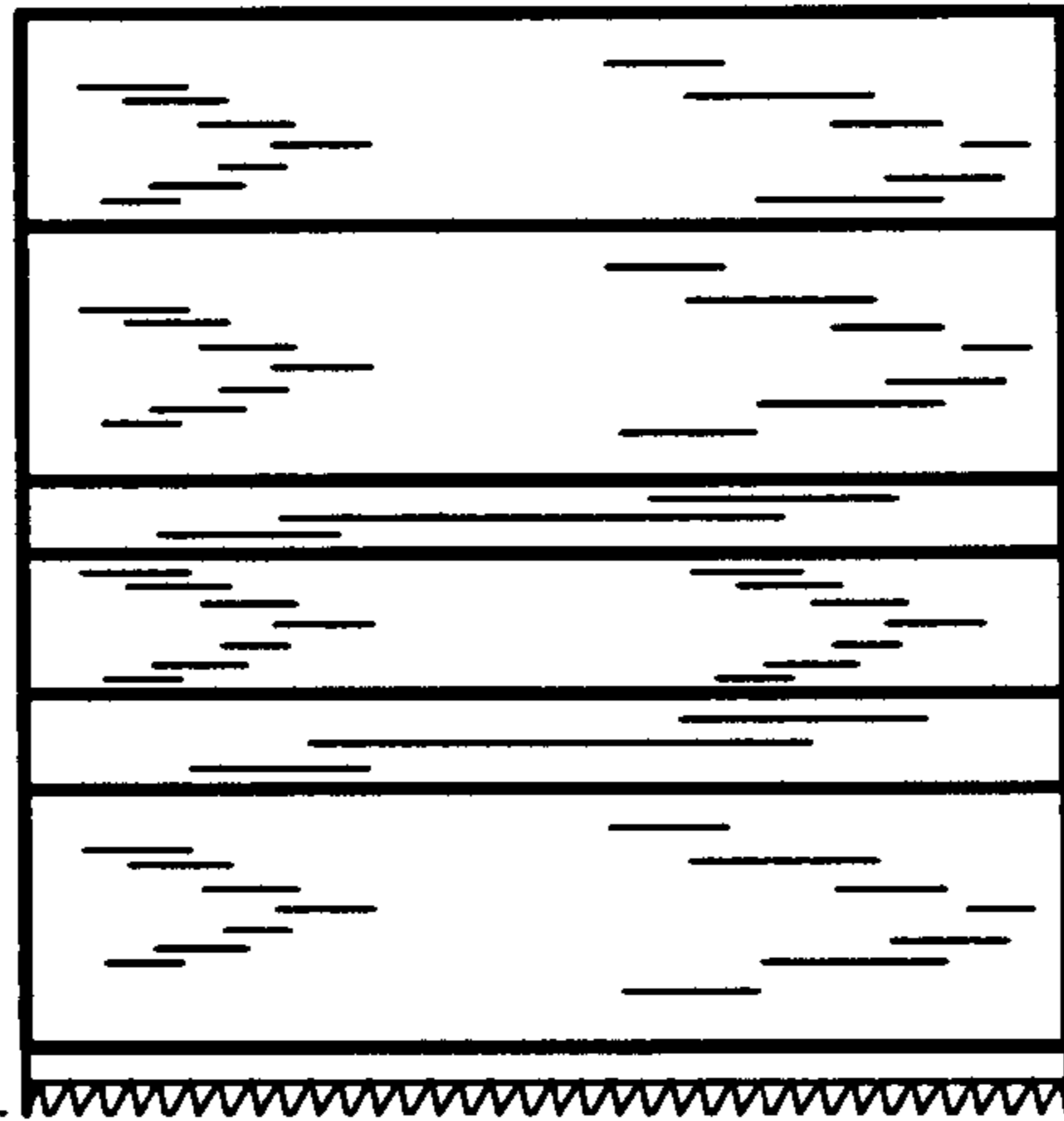


FIG. 5

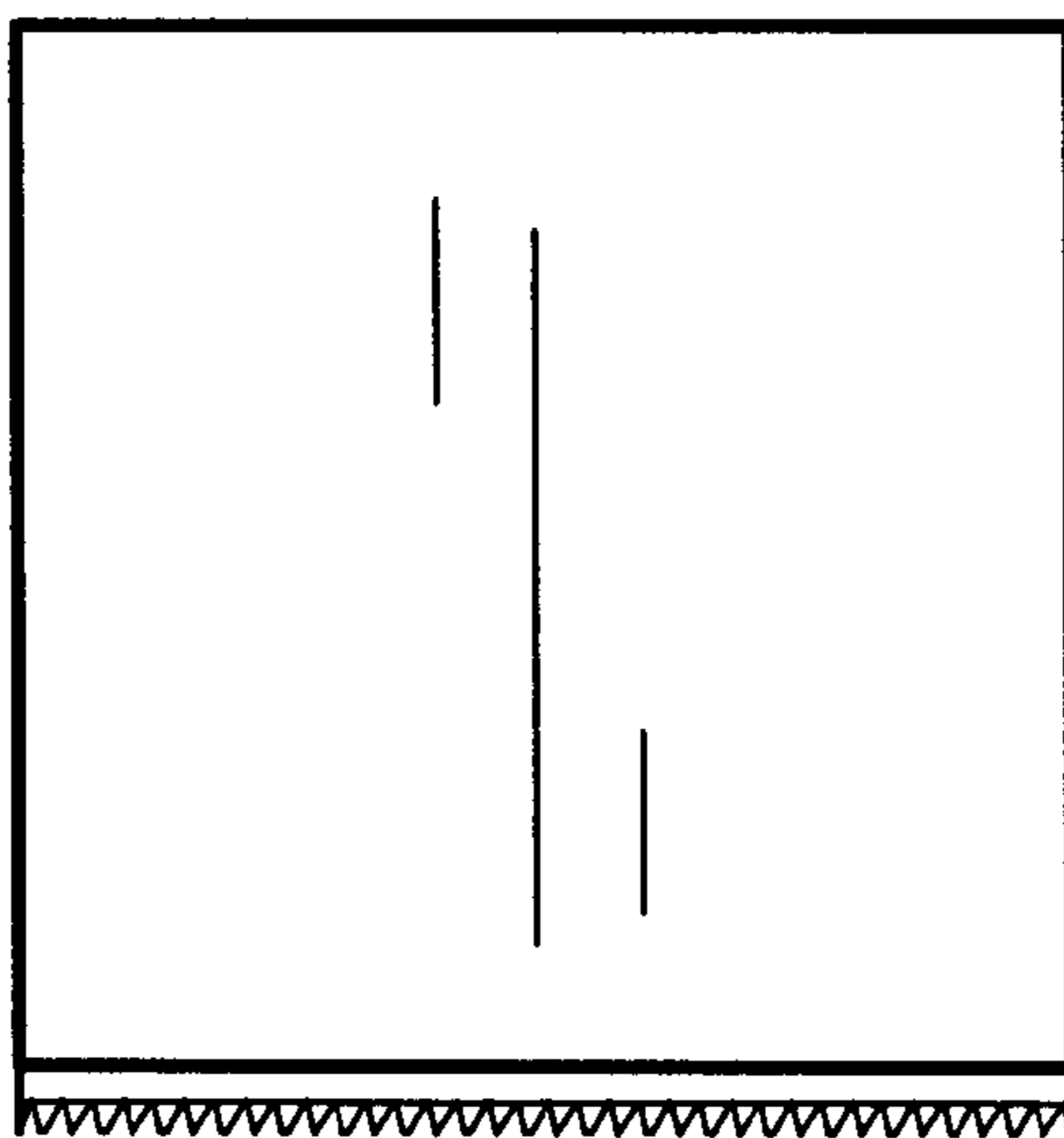


FIG. 6