



US00D423776S

United States Patent [19]

Reed, Jr.

[11] Patent Number: **Des. 423,776**

[45] Date of Patent: **** May 2, 2000**

[54] **BAG FOR SKATE COMPONENTS AND WHEELS**

[76] Inventor: **John Reed, Jr.**, 9404 SW. Sutton Pl., Tigard, Oreg. 97223

[**] Term: **14 Years**

[21] Appl. No.: **29/095,577**

[22] Filed: **Oct. 26, 1998**

[51] **LOC (7) Cl.** **03-01**

[52] **U.S. Cl.** **D3/261**

[58] **Field of Search** D3/261, 254, 317; 190/100, 103, 107, 108, 124, 109; 206/315.1; 383/907

[56] **References Cited**

U.S. PATENT DOCUMENTS

- D. 286,229 10/1986 Knoepke et al. 190/103
- D. 362,544 9/1995 Vincent D3/261

- 4,830,154 5/1989 Gerch et al. 190/103
- 5,105,919 4/1992 Bomes et al. 190/109 X
- 5,431,265 7/1995 Yoo 190/103

Primary Examiner—Louis S. Zarfaz
Assistant Examiner—Catherine R. Oliver

[57] **CLAIM**

The ornamental design for a bag for skate components and wheels, as shown.

DESCRIPTION

- FIG. 1 is a front perspective view.
- FIG. 2 is a left side view.
- FIG. 3 is a right side view.
- FIG. 4 is a top view.
- FIG. 5 is a bottom view.
- FIG. 6 is a front view; and,
- FIG. 7 is a rear view.

1 Claim, 3 Drawing Sheets

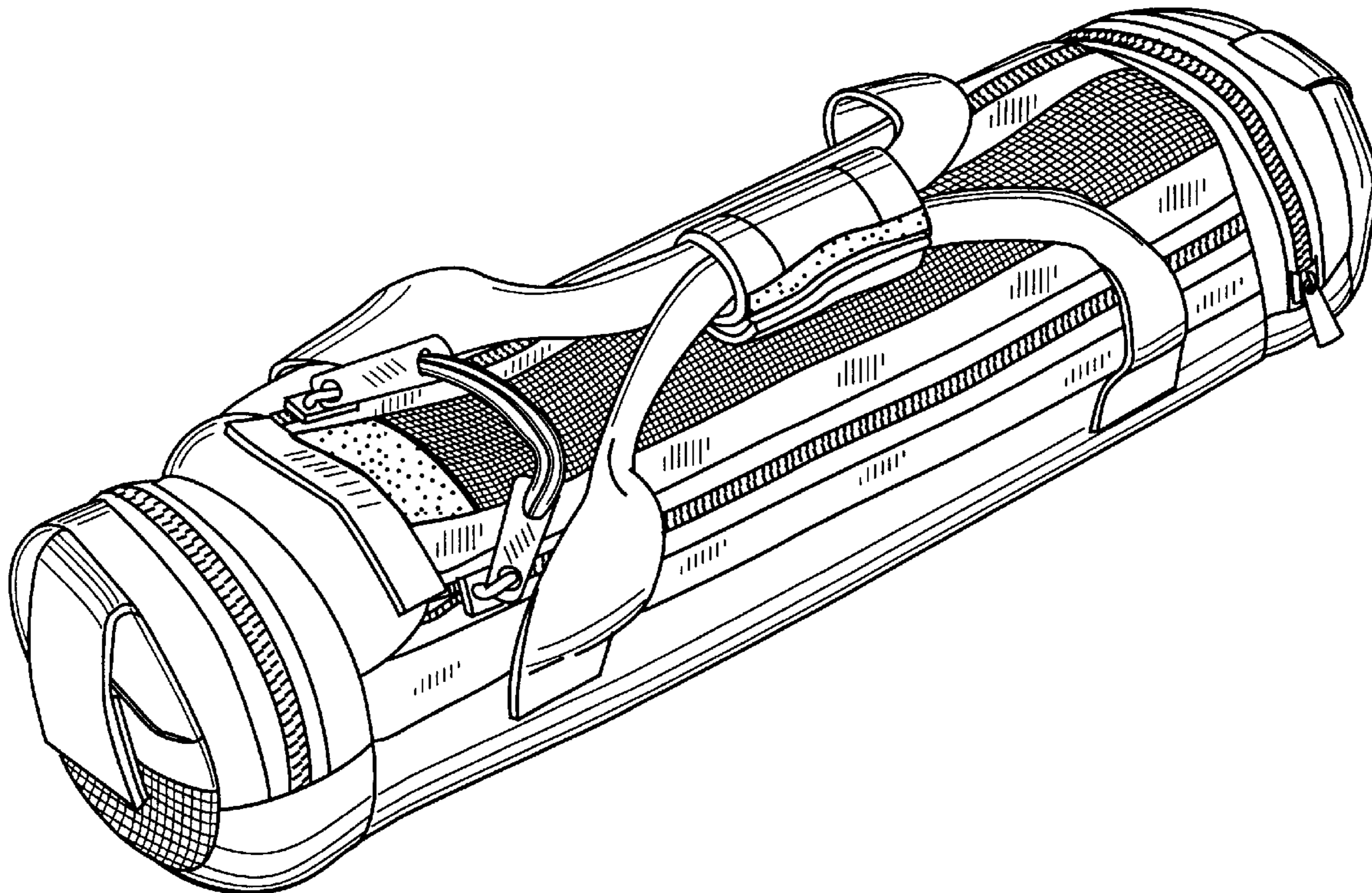


FIG. 1

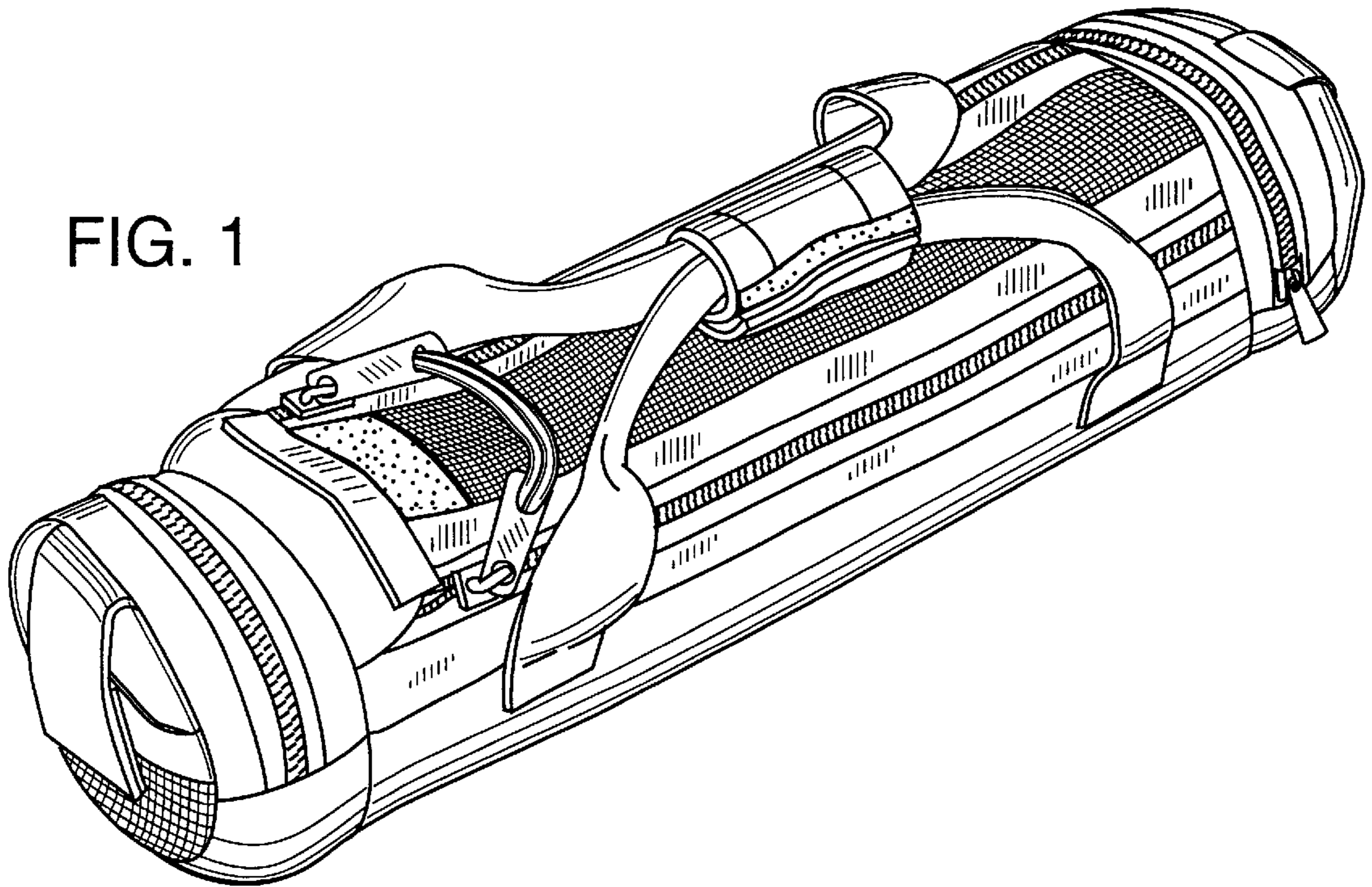


FIG. 2

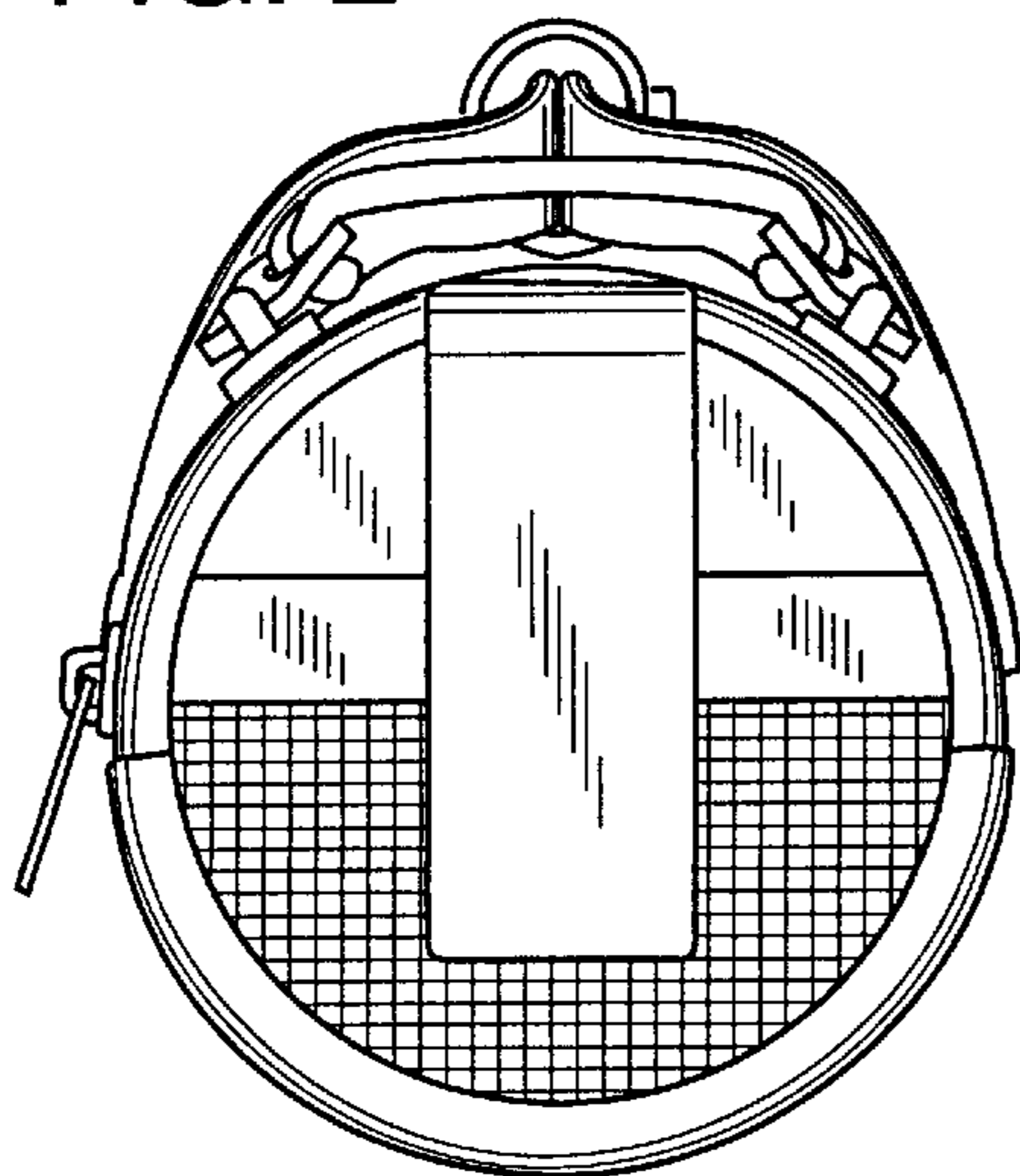


FIG. 3

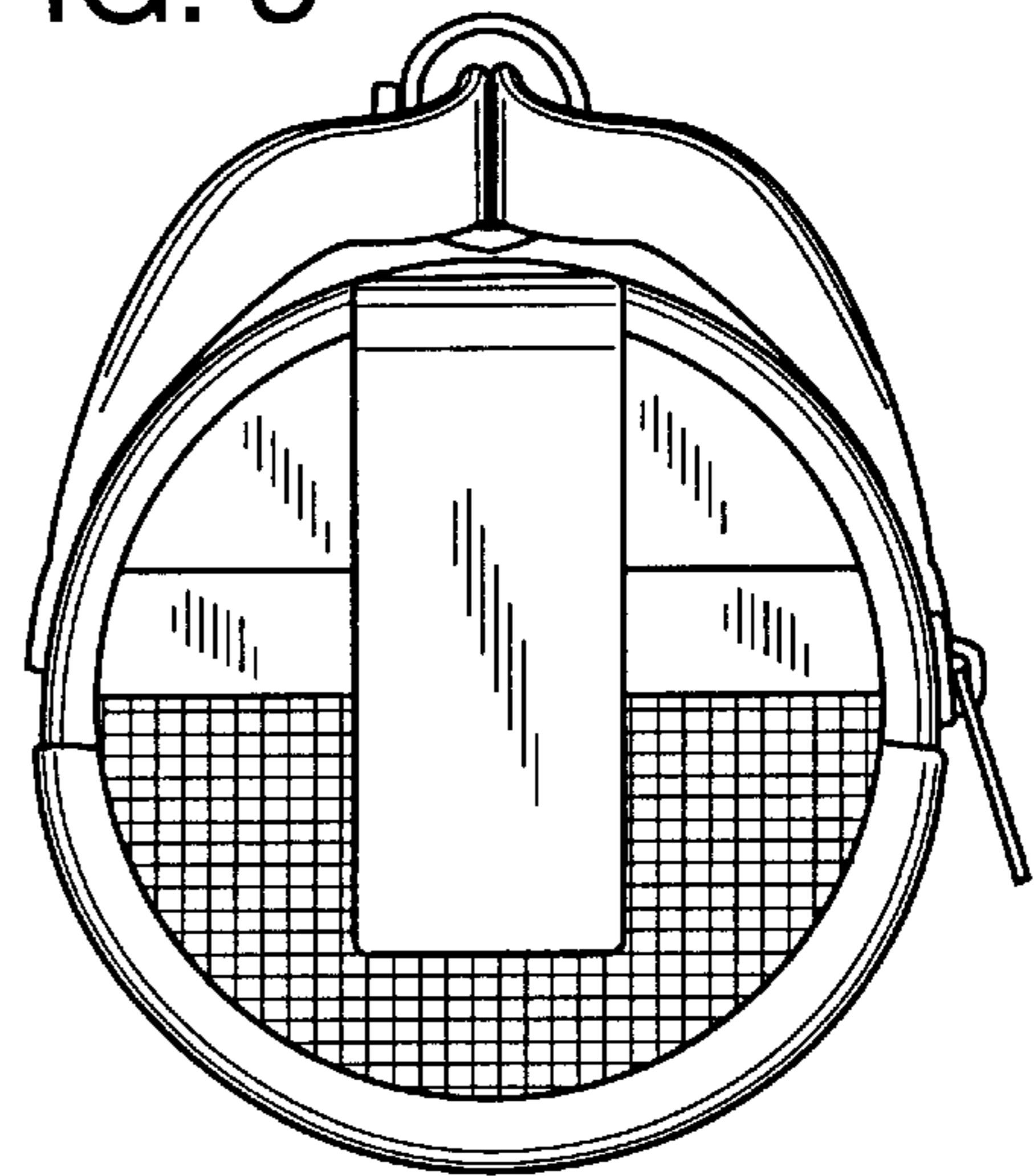


FIG. 4

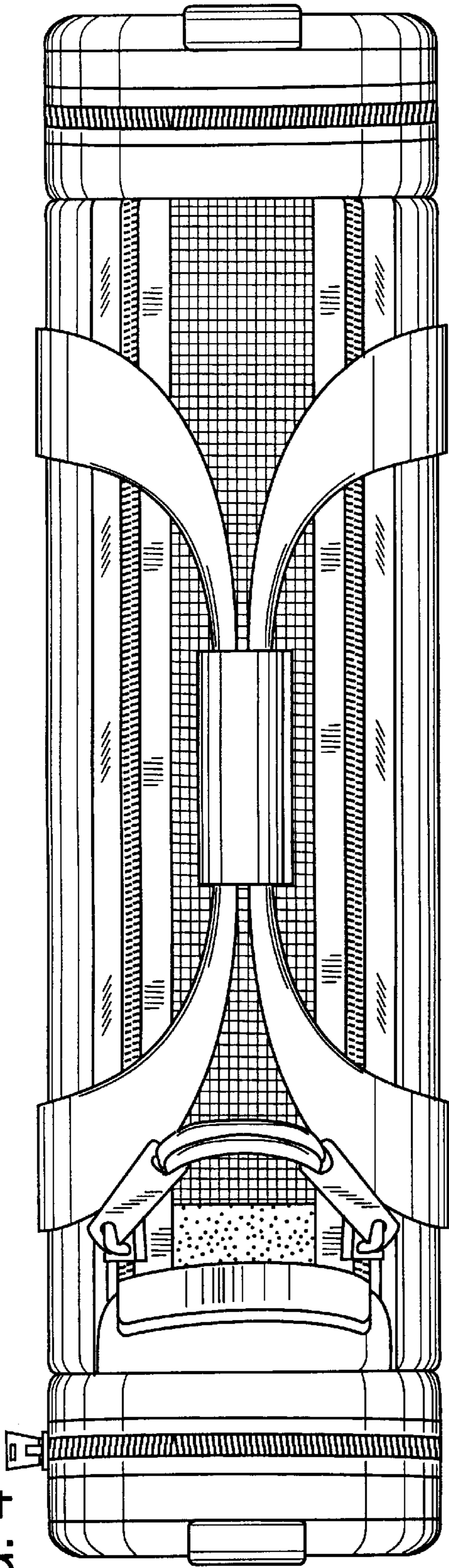


FIG. 5

