



US00D423773S

United States Patent [19] Dancyger

[11] Patent Number: **Des. 423,773**

[45] Date of Patent: **** May 2, 2000**

[54] **TOOL POUCH**

[76] Inventor: **Michael Dancyger**, 811 W. 58th St.,
Los Angeles, Calif. 90037

[**] Term: **14 Years**

[21] Appl. No.: **29/104,160**

[22] Filed: **Apr. 29, 1999**

[51] **LOC (7) Cl.** **03-01**

[52] **U.S. Cl.** **D3/228**

[58] **Field of Search** D3/228, 224, 221,
D3/215, 226; 224/232, 240, 245, 255, 901,
904, 192, 193

[56] **References Cited**

U.S. PATENT DOCUMENTS

D. 316,186	4/1991	Seber	D3/228
D. 316,485	4/1991	Seber	D3/228
D. 348,982	7/1994	Dancyger	D3/224
D. 349,603	8/1994	Doerksen	D3/228
D. 350,849	9/1994	Dancyger	D3/228
D. 381,804	8/1997	Dancyger	D3/228

OTHER PUBLICATIONS

Klein Tools, Inc. Construction Worker's Pouch Combination—Leather Nail and Tool Pouch, Jul. 1978.

Nyde Tools Catalog #272, No. 09077 Drywall Tool Pouch With Steel Hammer Loop, 1986.

Primary Examiner—Louis S. Zarfaz
Assistant Examiner—Catherine R. Oliver
Attorney, Agent, or Firm—Andra M. Vaccaro, Esq.

[57] **CLAIM**

An ornamental design for a tool pouch, as shown and described.

DESCRIPTION

FIG. 1 is a perspective view showing the front top right of the design of the tool pouch;

FIG. 2 is a front elevational view of the design of the tool pouch shown in FIG. 1;

FIG. 3 is a right side elevational view of the design of the tool pouch shown in FIG. 1;

FIG. 4 is a rear elevational view of the design of the tool pouch shown in FIG. 1;

FIG. 5 is a left side elevational view of the design of the tool pouch shown in FIG. 1;

FIG. 6 is a top plan view of the design of the tool pouch shown in FIG. 1; and,

FIG. 7 is a bottom plan view of the design of the tool pouch shown in FIG. 1.

The broken line showing of environment in the drawings is for illustrative purposes only and forms no part of the claimed design. Other broken lines in the drawings indicate stitching.

1 Claim, 4 Drawing Sheets

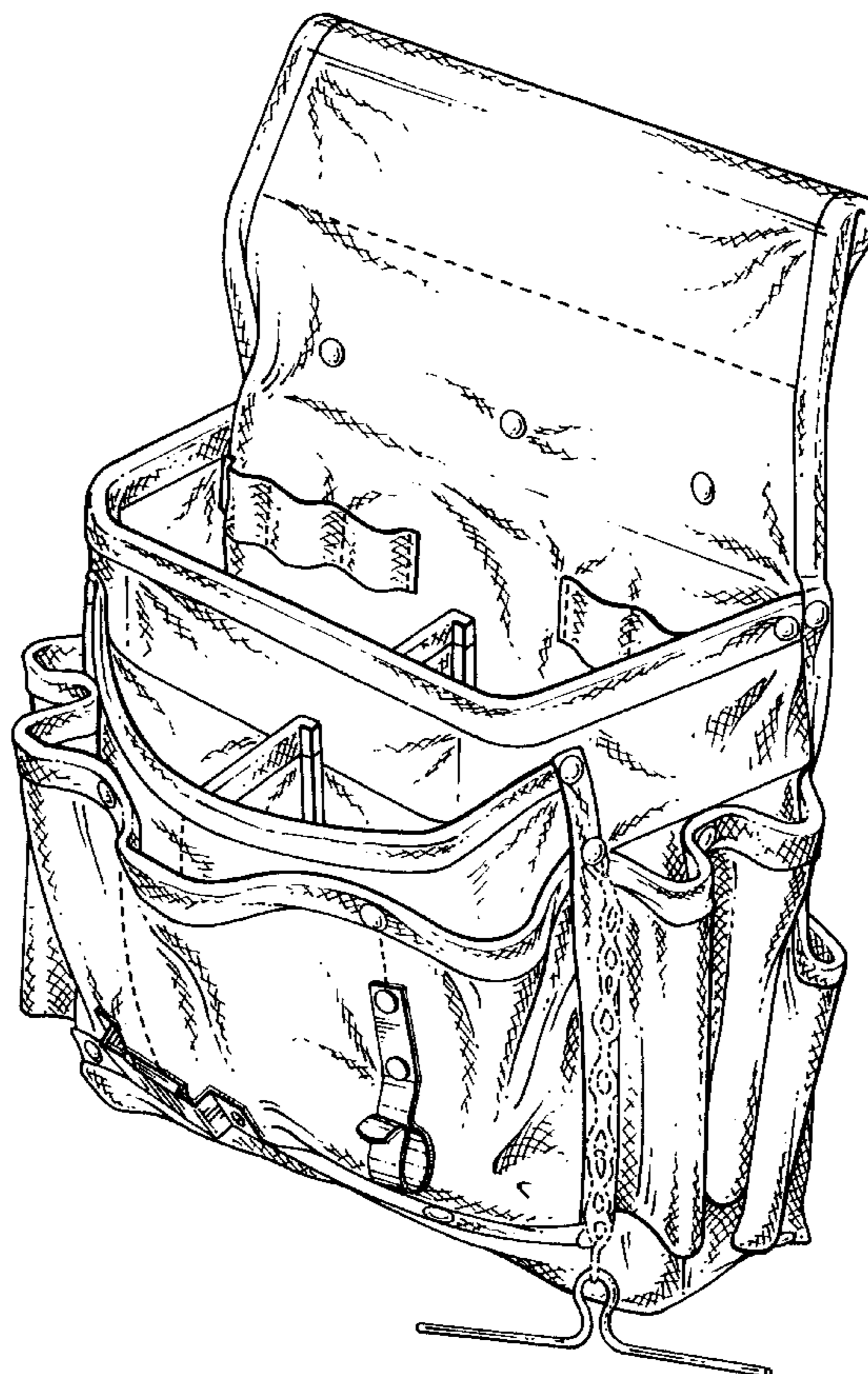
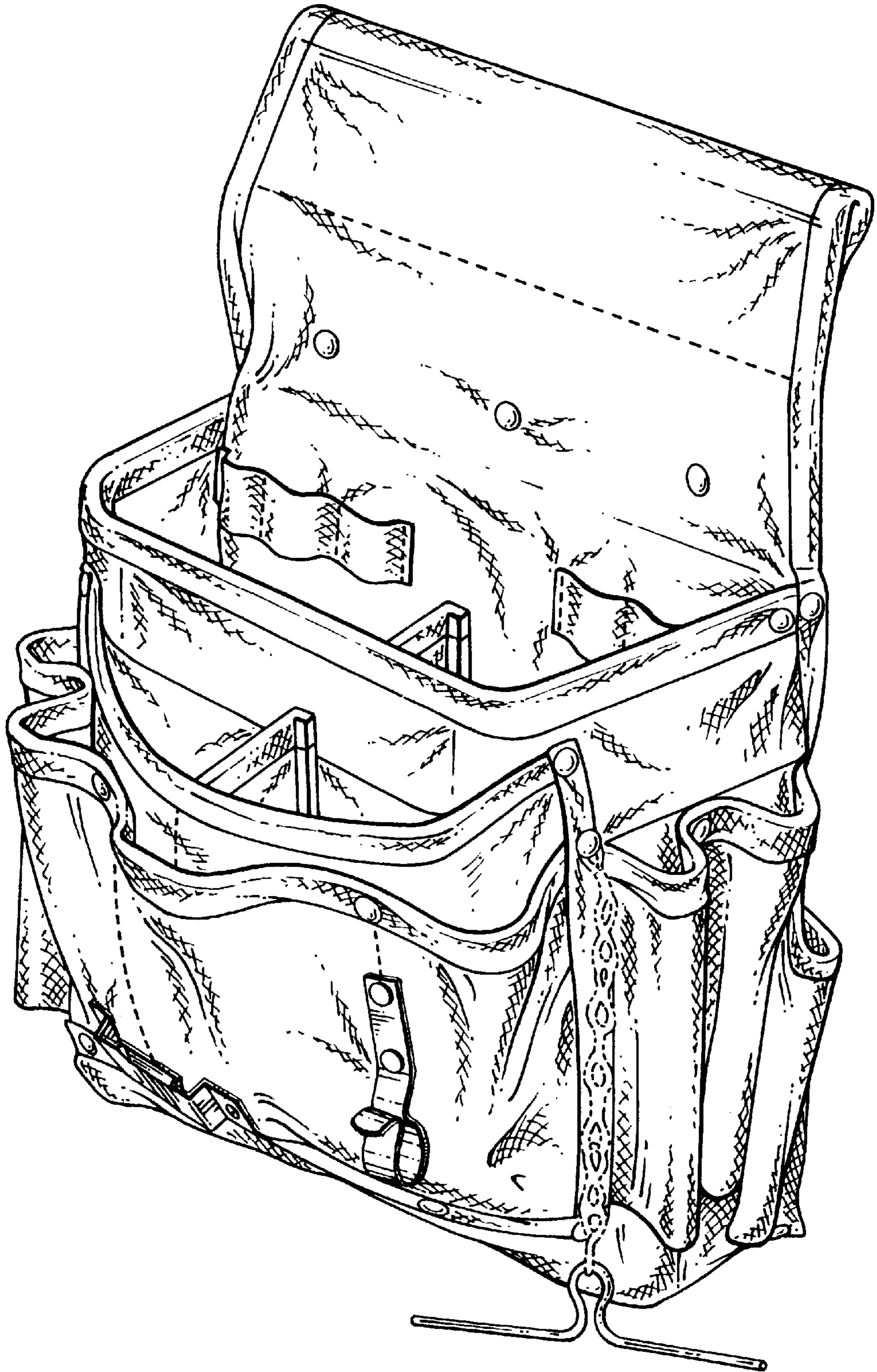


FIG. 1



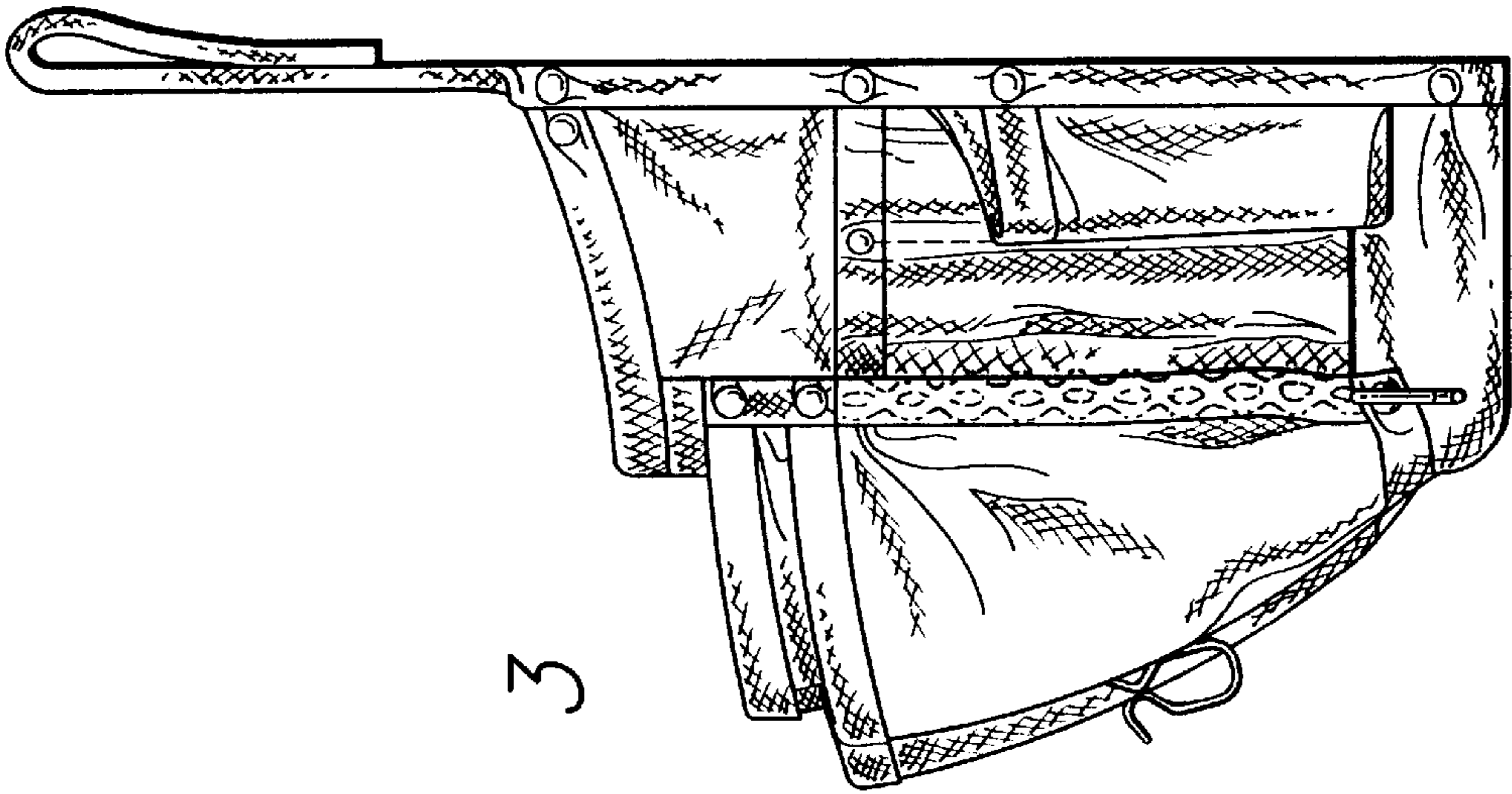
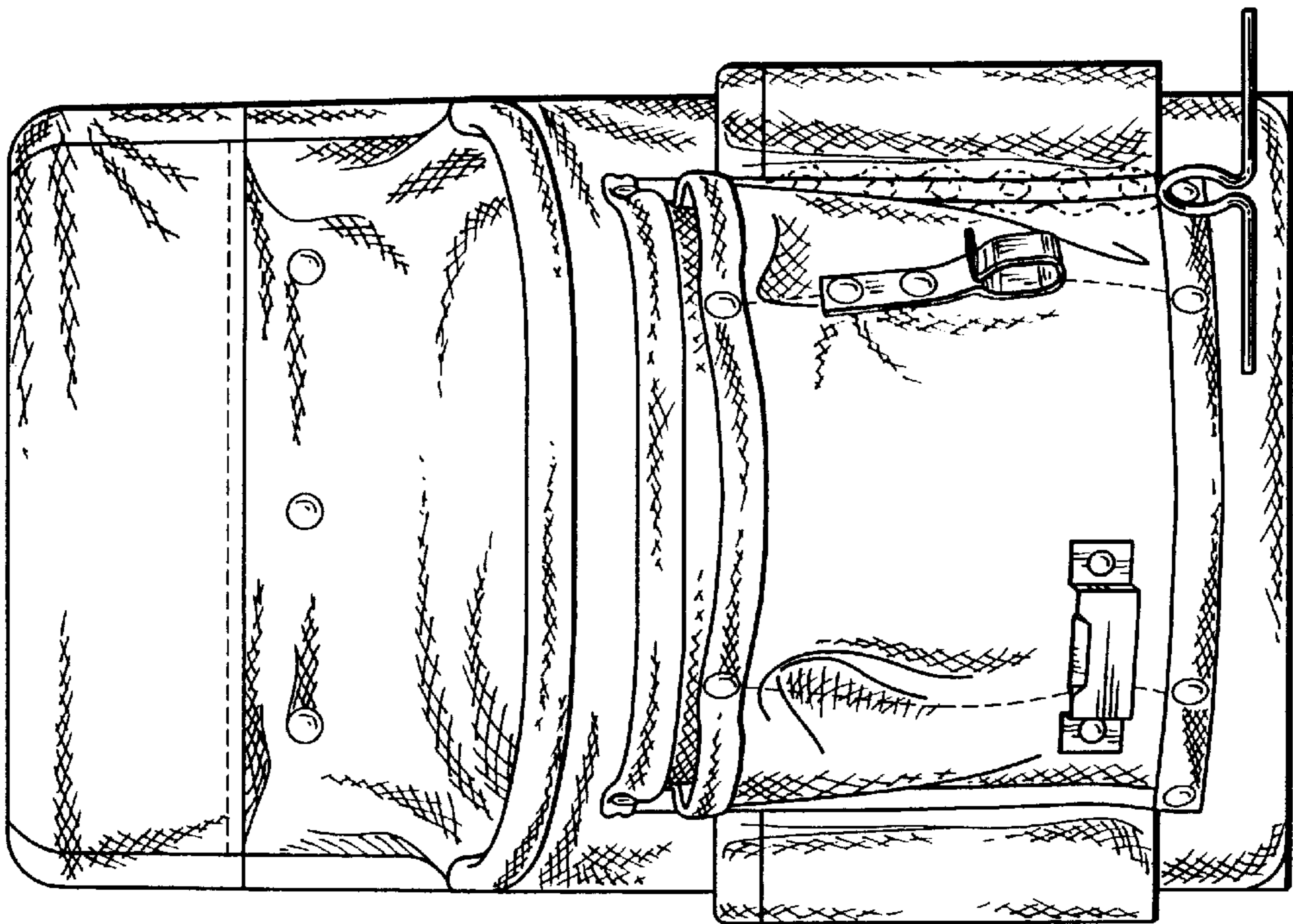


FIG. 3

FIG. 2



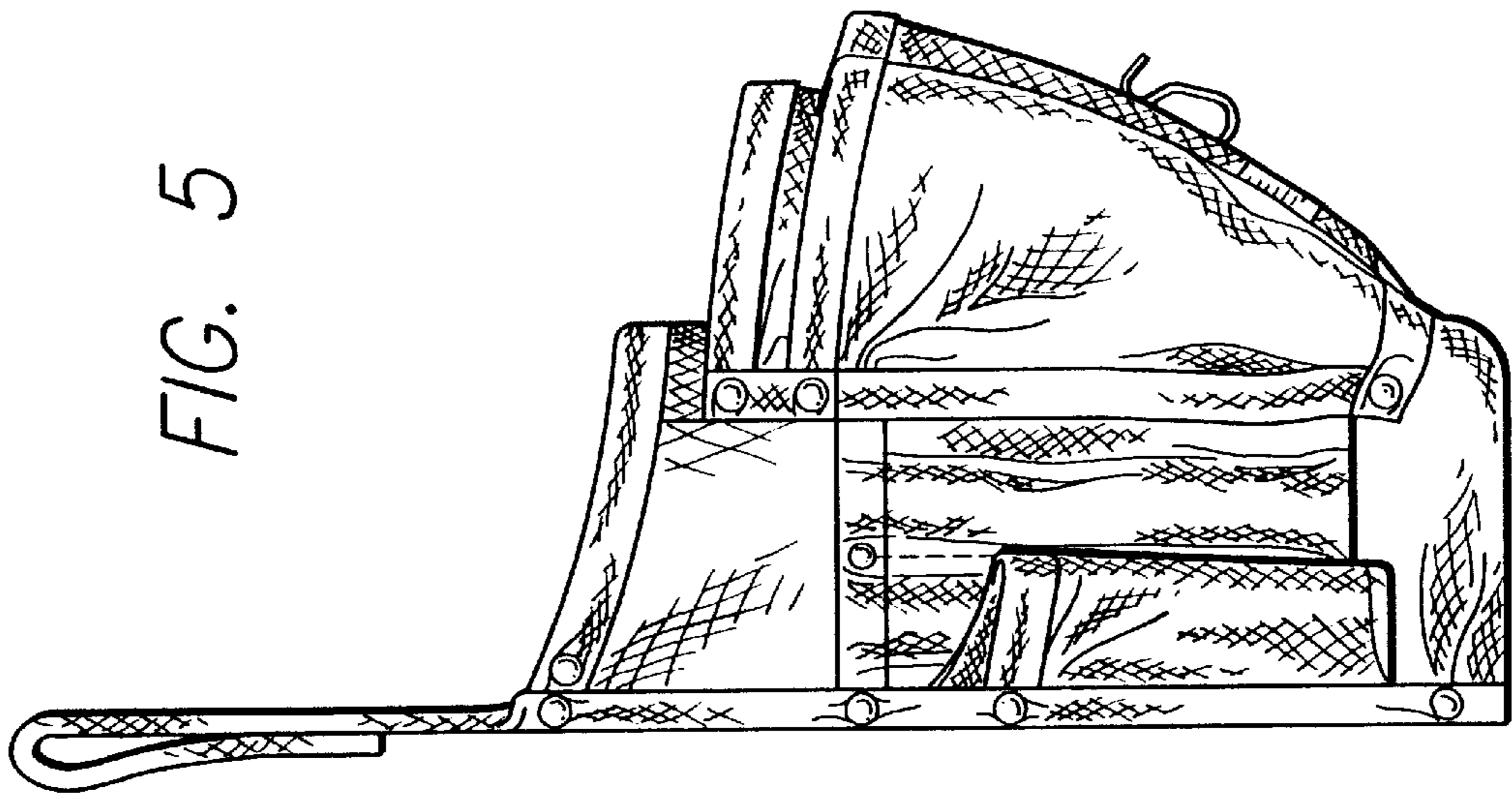


FIG. 5

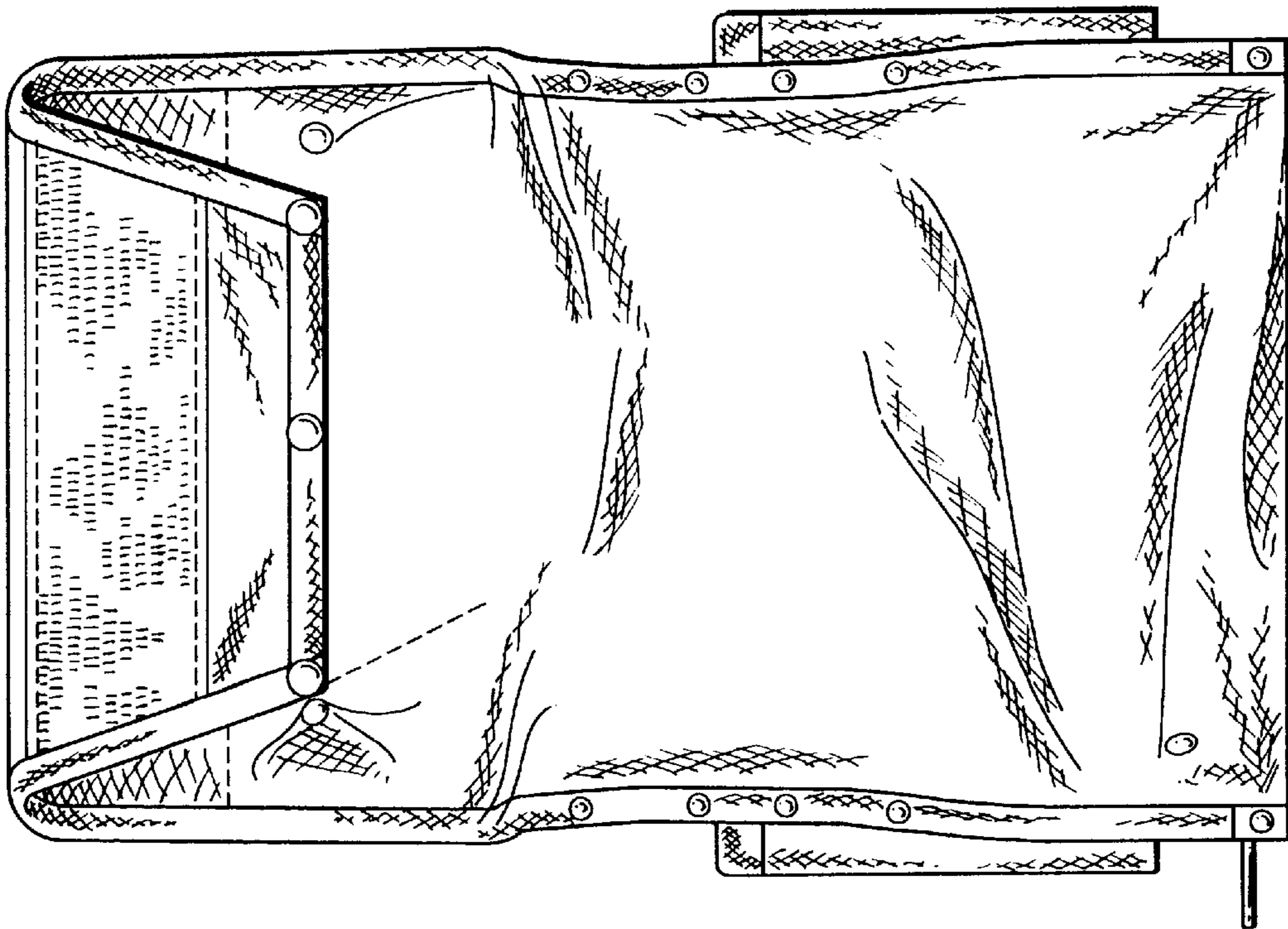


FIG. 4

FIG. 6

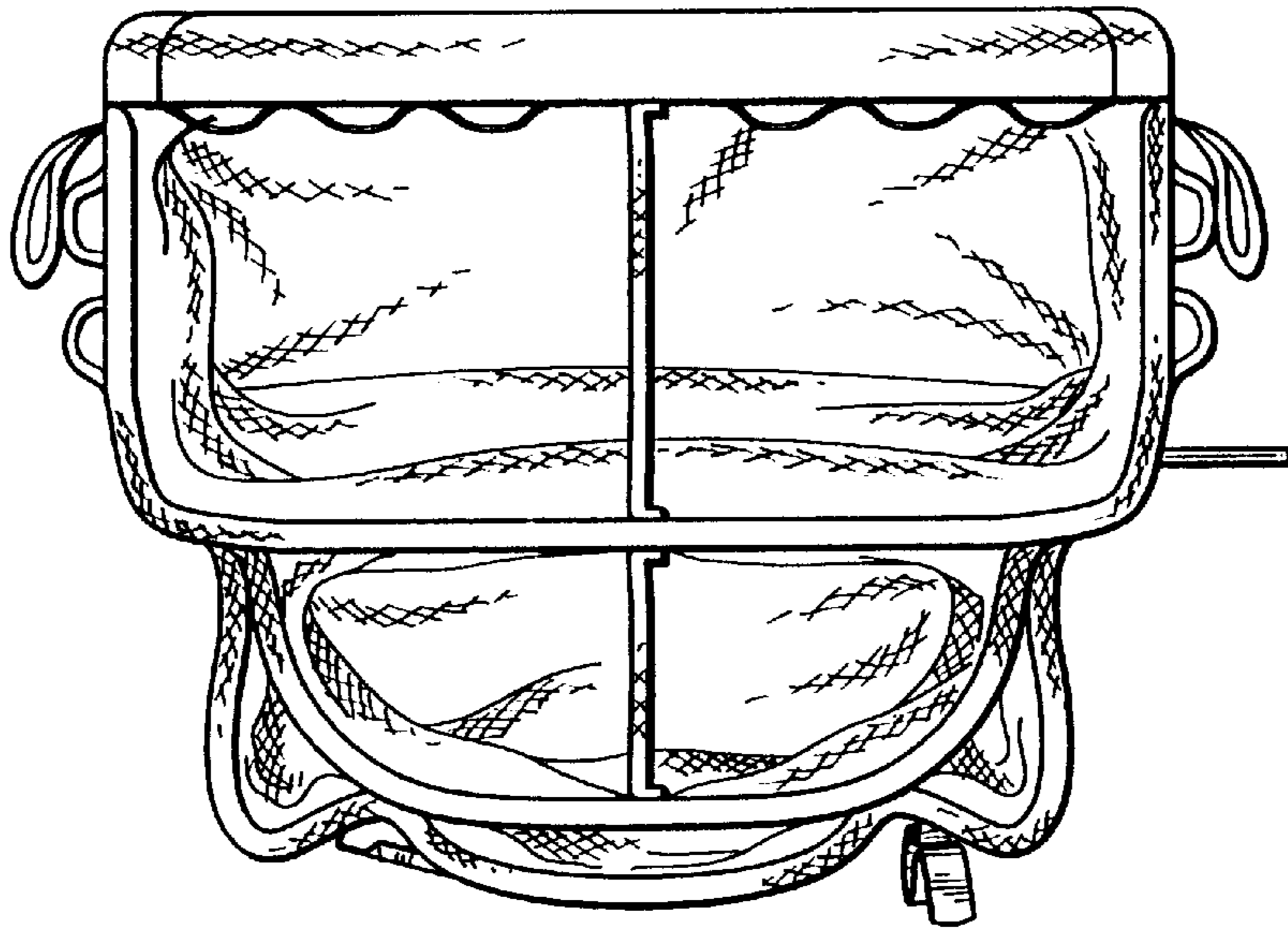


FIG. 7

