



US00D423767S

**United States Patent** [19]  
**Kan**

[11] **Patent Number: Des. 423,767**

[45] **Date of Patent: \*\* May 2, 2000**

[54] **SPIKE FOR GOLF SHOE**

[76] Inventor: **Wen-Chen Kan**, 6th Fl., No. 118, Sec. 2, Ta-An Rd., Taipei, Taiwan

[\*\*] Term: **14 Years**

[21] Appl. No.: **29/096,620**

[22] Filed: **Nov. 17, 1998**

[51] **LOC (7) Cl.** ..... **02-04**

[52] **U.S. Cl.** ..... **D2/962**

[58] **Field of Search** ..... D2/902, 906, 960, D2/954; 36/134, 114, 59 R, 61, 62, 64, 65, 66, 67 R, 67 A, 67 B, 67 C, 67 D, 59 A, 59 B

[56] **References Cited**

**U.S. PATENT DOCUMENTS**

|            |         |              |       |        |
|------------|---------|--------------|-------|--------|
| D. 327,975 | 7/1992  | Saito et al. | ..... | D2/962 |
| D. 373,675 | 9/1996  | McMullin     | ..... | D2/962 |
| D. 387,548 | 12/1997 | McMullin     | ..... | D2/962 |
| D. 391,047 | 2/1998  | Backus       | ..... | D2/962 |
| D. 391,391 | 3/1998  | Colias       | ..... | D2/962 |

|            |         |               |       |        |
|------------|---------|---------------|-------|--------|
| D. 401,748 | 12/1998 | Santos et al. | ..... | D2/962 |
| D. 405,945 | 2/1999  | Kan           | ..... | D2/199 |
| D. 406,447 | 3/1999  | Ronci         | ..... | D2/962 |

*Primary Examiner*—Louis S. Zarfaz  
*Assistant Examiner*—G. Andoll  
*Attorney, Agent, or Firm*—Holland & Hart LLP

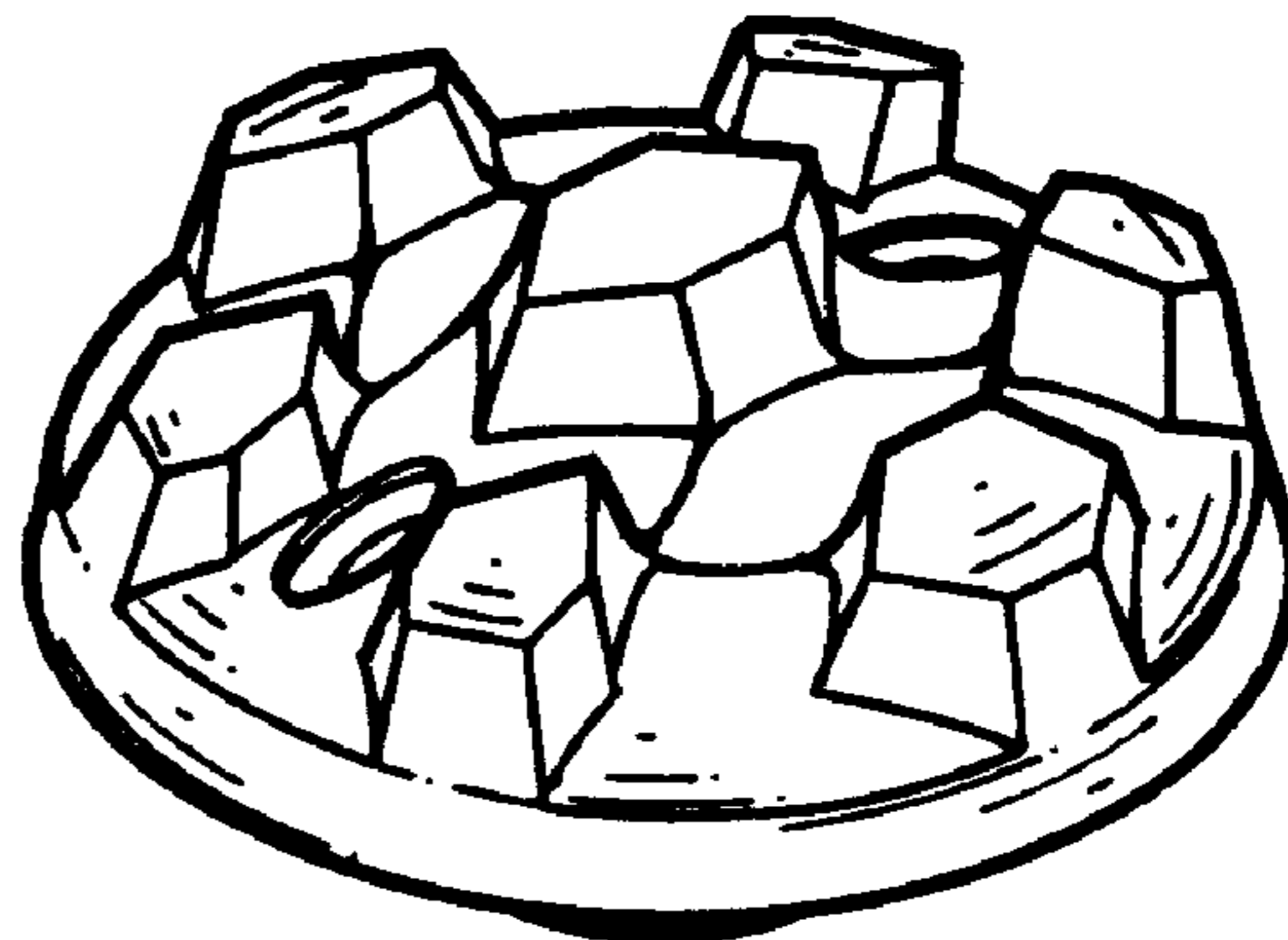
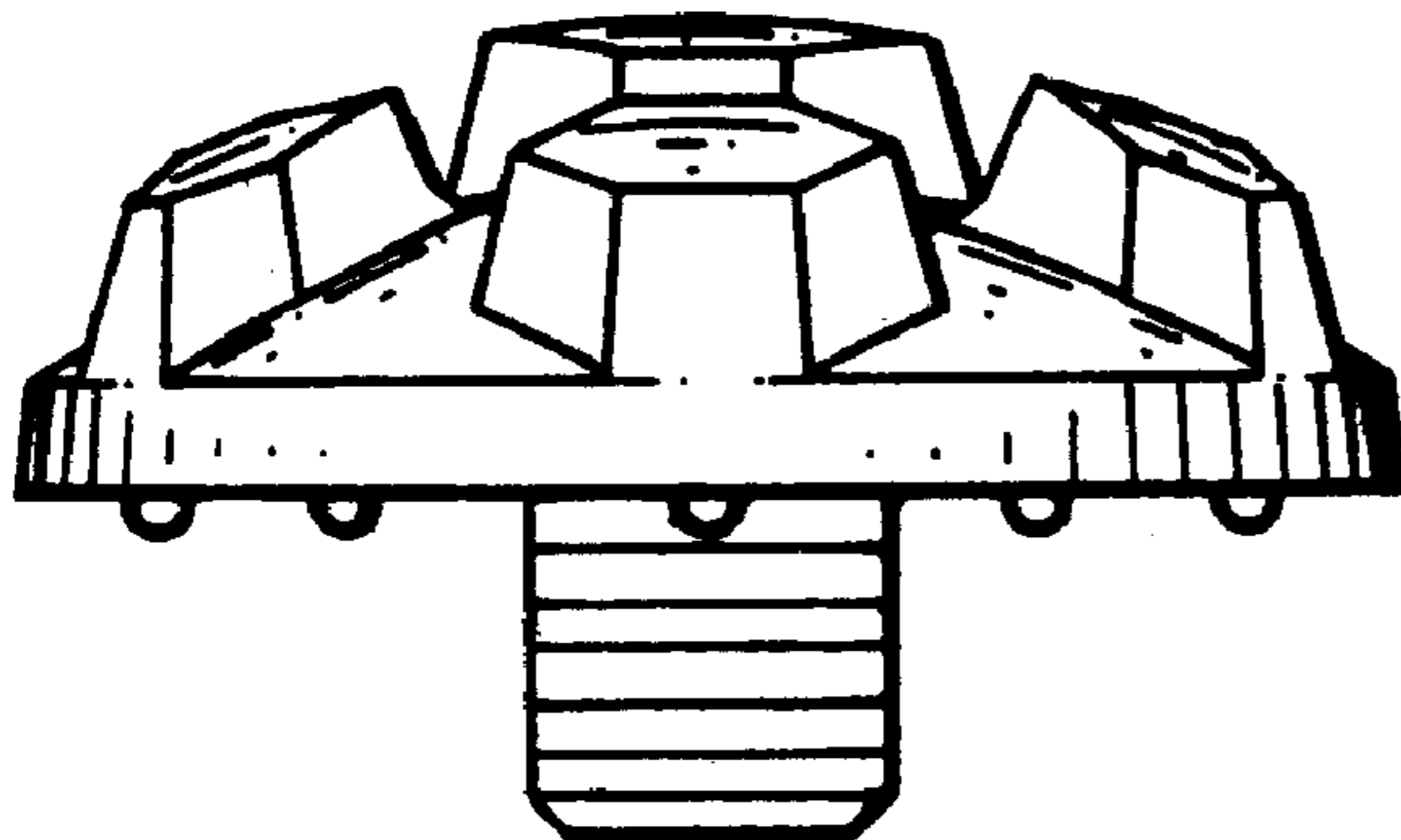
[57] **CLAIM**

The ornamental design for a spike for golf shoe, as shown.

**DESCRIPTION**

FIG. 1 is a front elevational view of a spike for golf shoe, showing my new design;  
FIG. 2 is a rear elevational view thereof;  
FIG. 3 is a left elevational view thereof;  
FIG. 4 is a right elevational view thereof;  
FIG. 5 is a top plan view thereof;  
FIG. 6 is a bottom plan view thereof;  
FIG. 7 is a front-right-top perspective view of a spike for golf shoe, showing my new design; and,  
FIG. 8 is a perspective view of the spike for golf shoe from another angle.

**1 Claim, 3 Drawing Sheets**



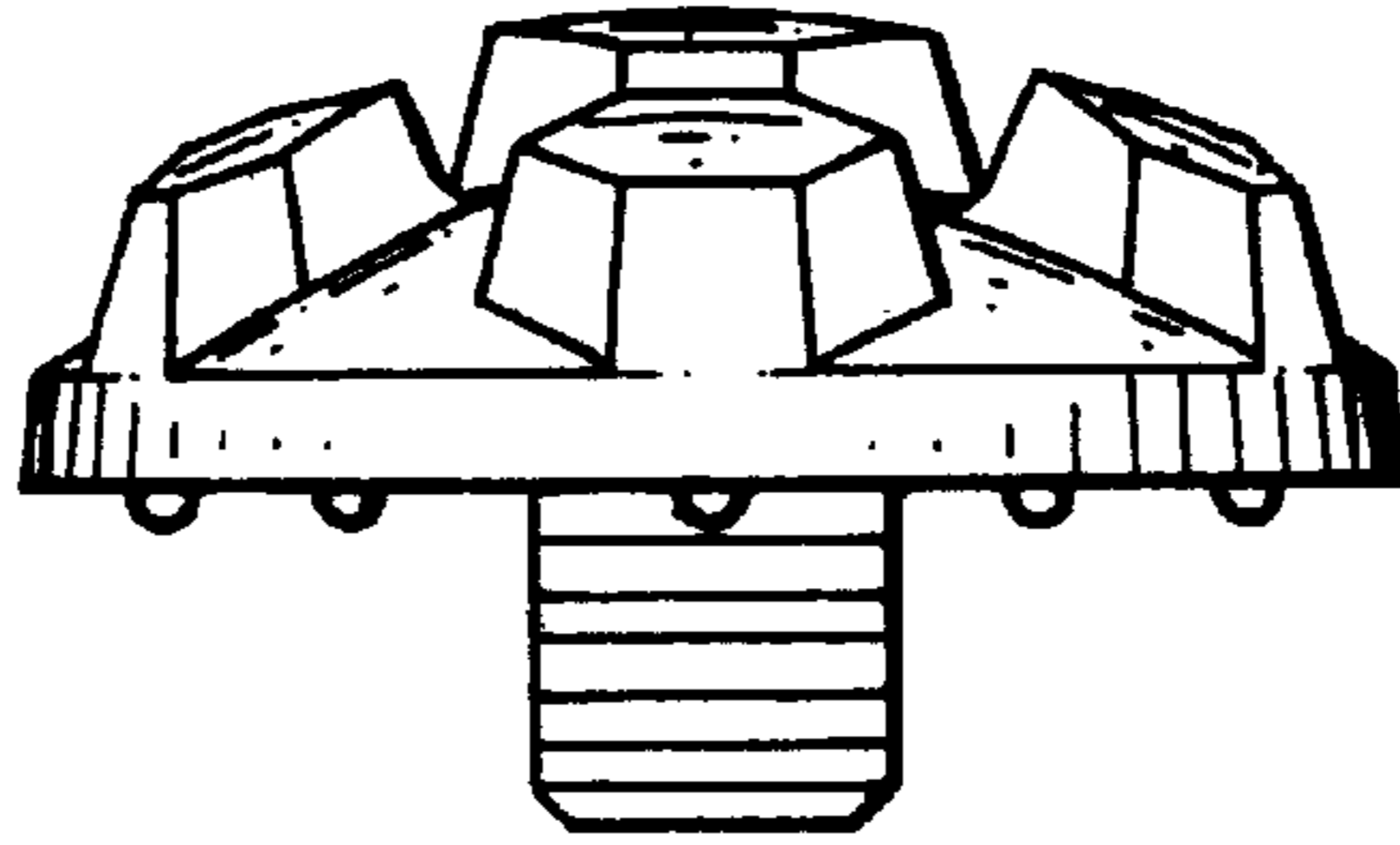


FIG. 1

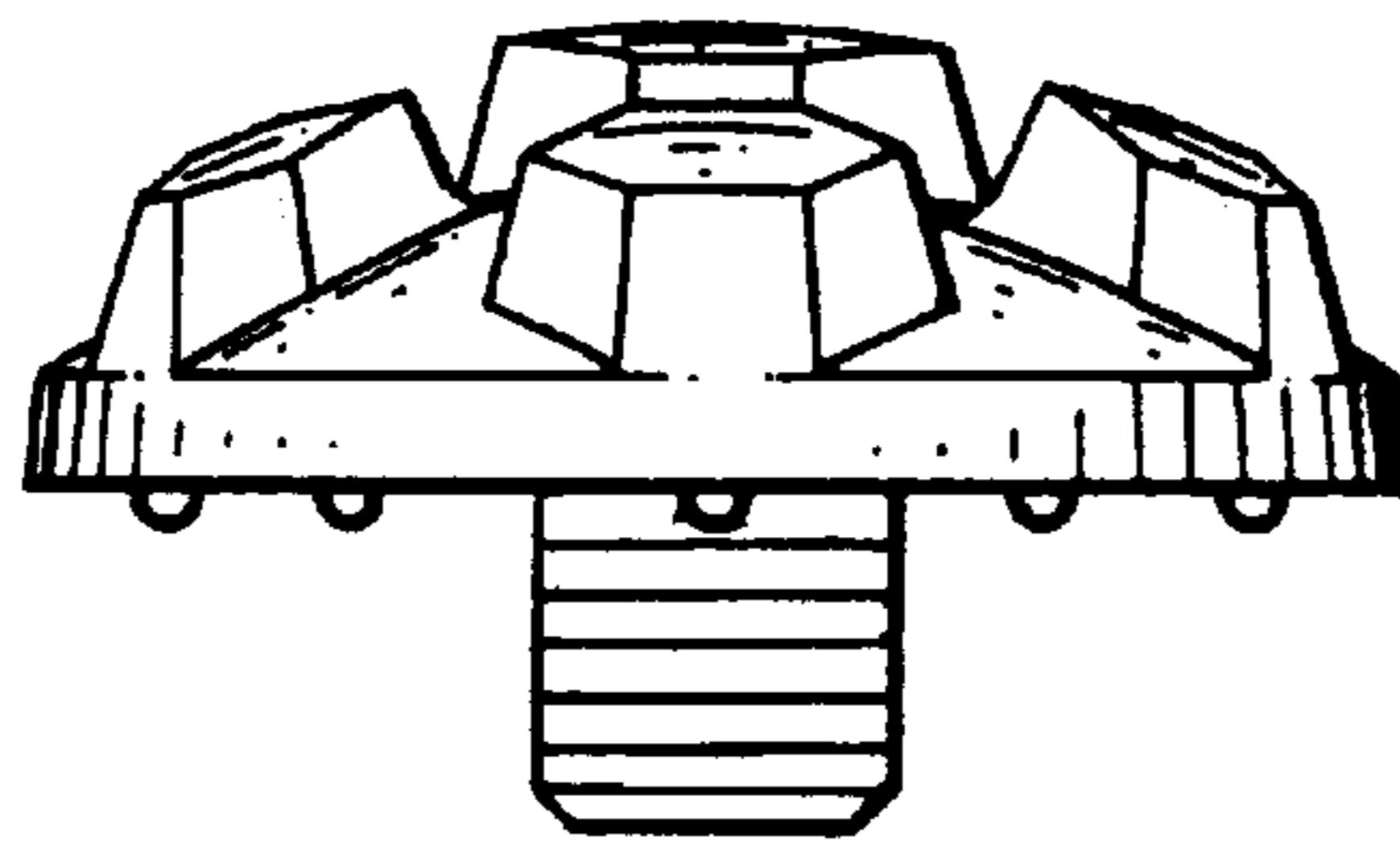


FIG. 2

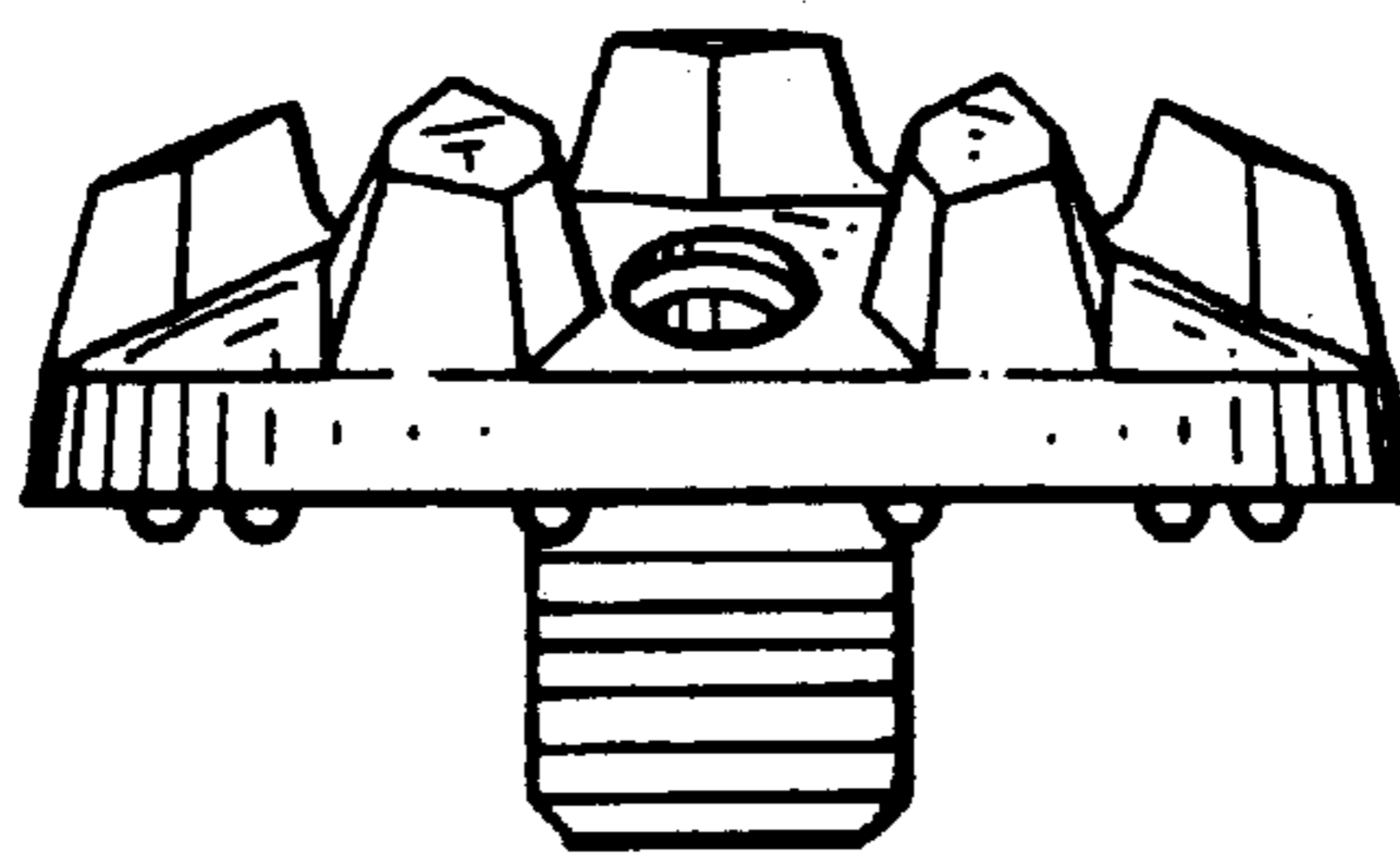


FIG. 3

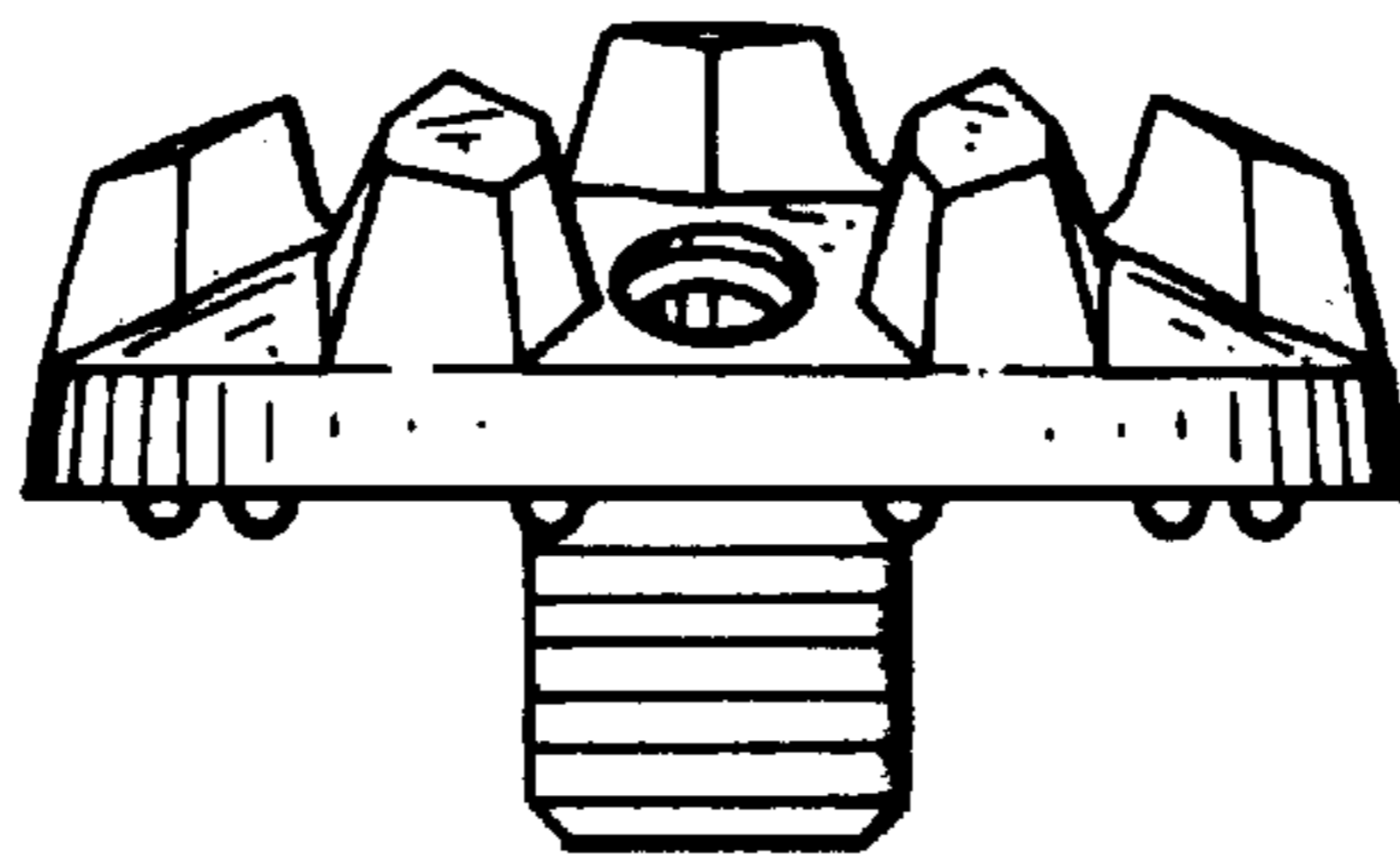


FIG. 4

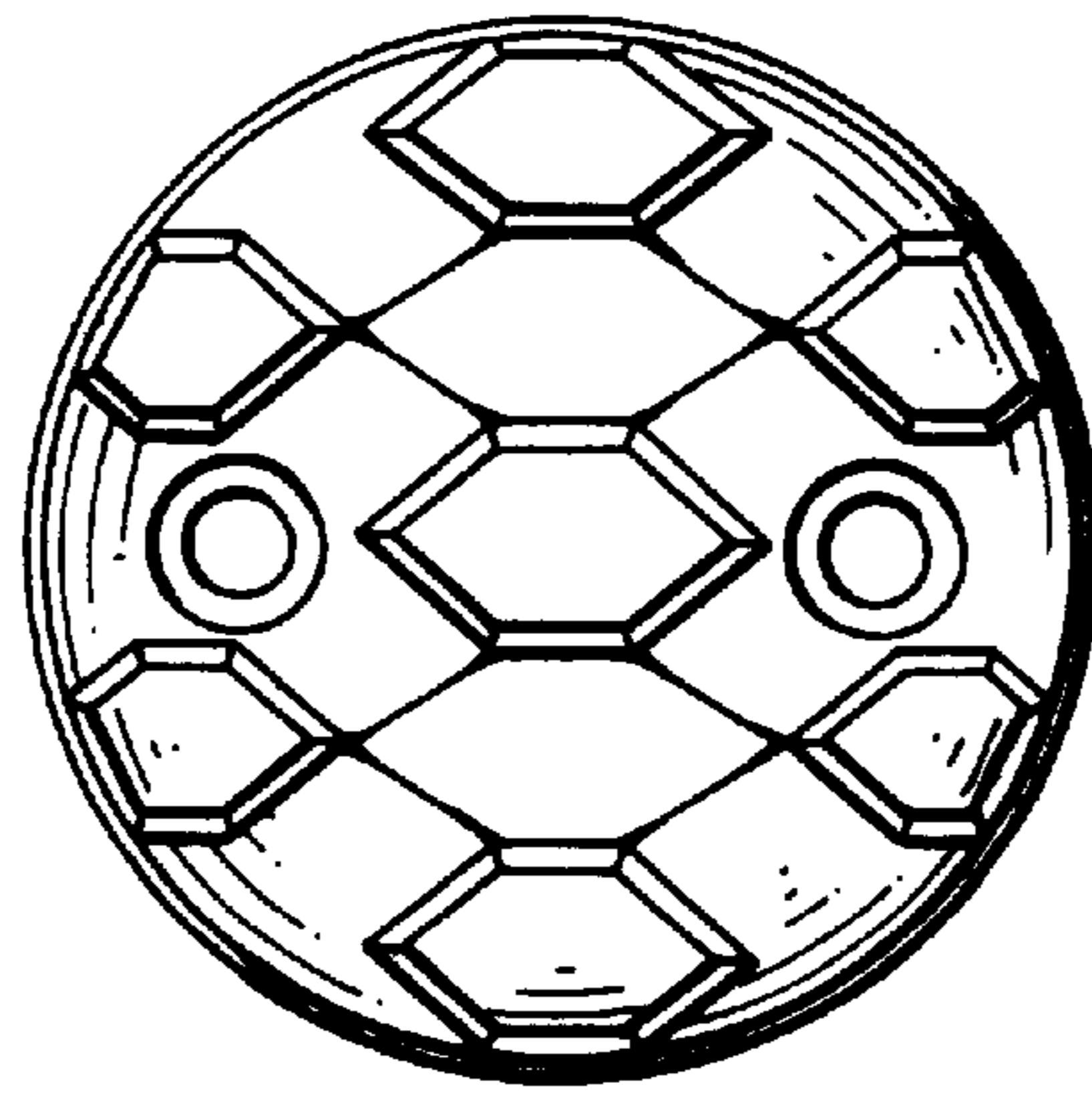


FIG. 5

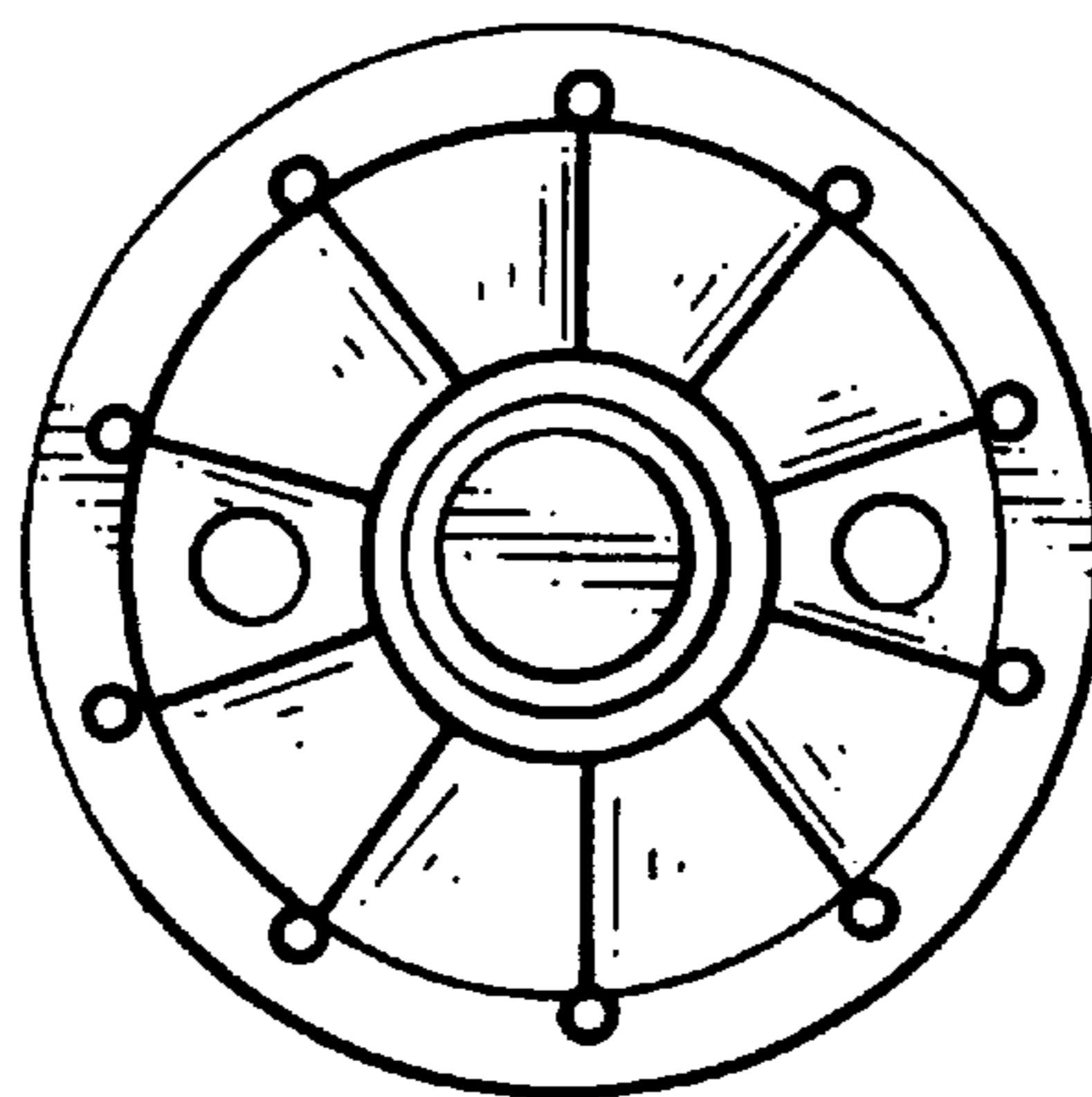


FIG. 6

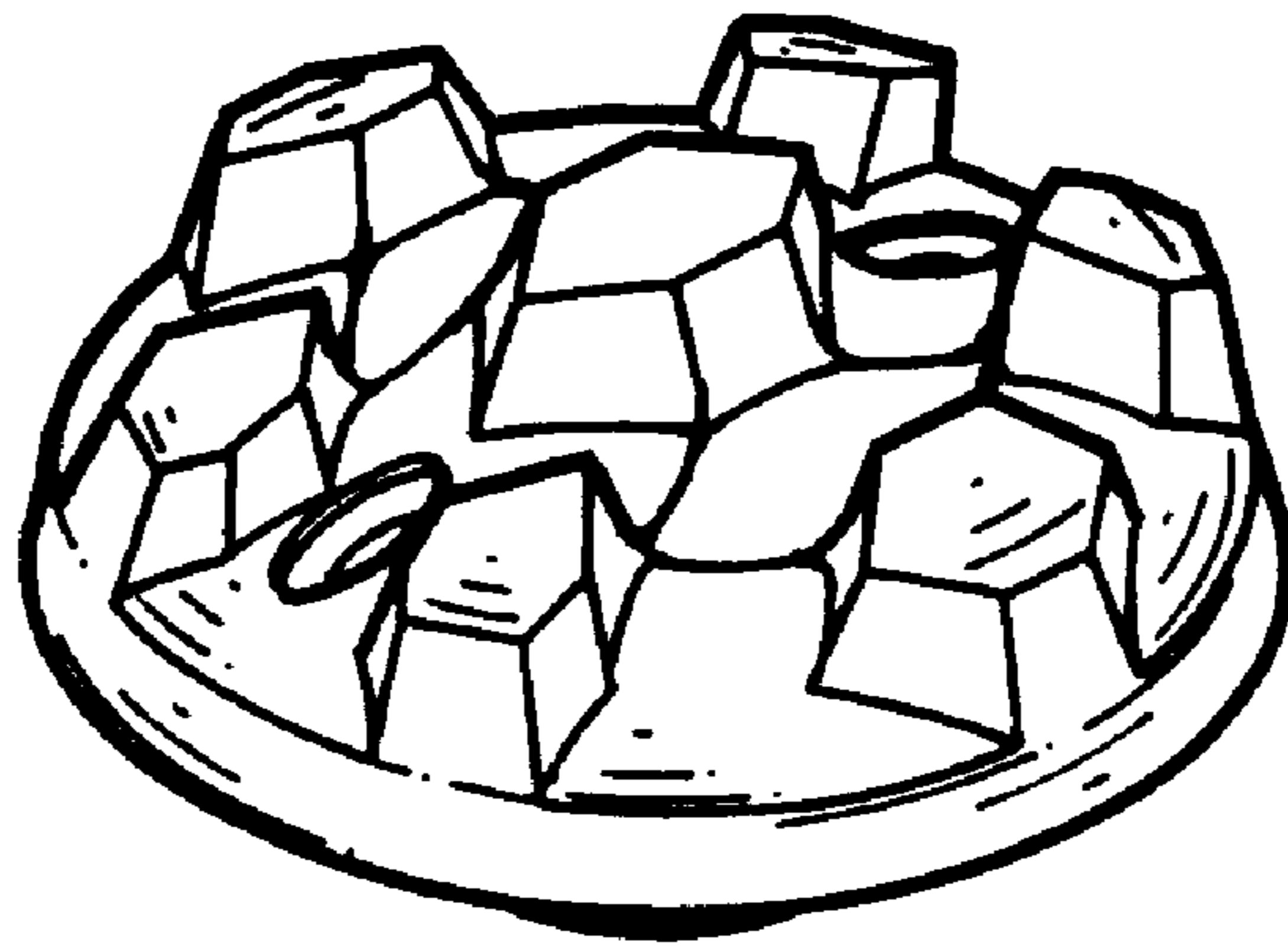


FIG. 7

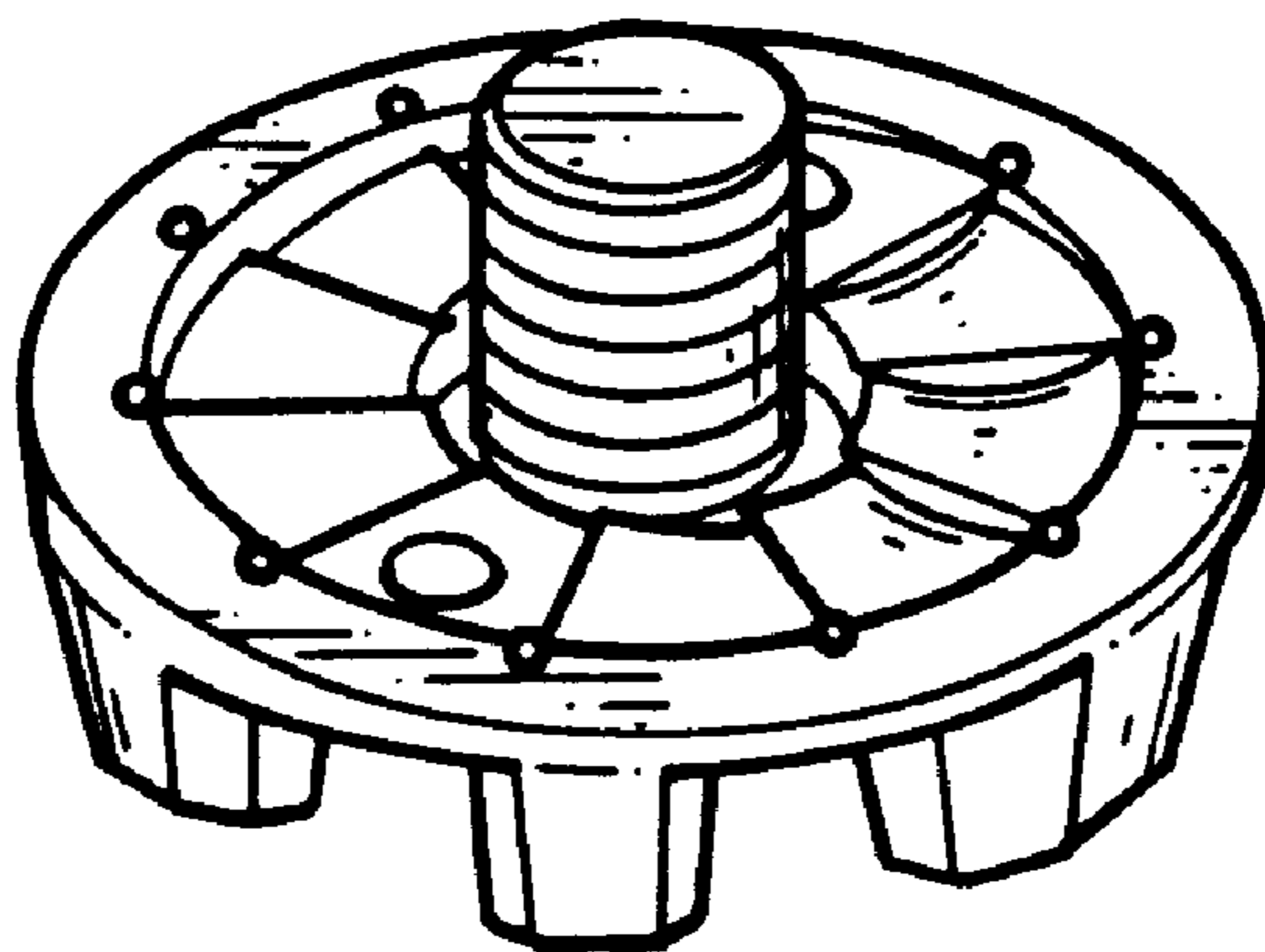


FIG. 8