



US00D423759S

United States Patent [19]
Dancyger

[11] **Patent Number: Des. 423,759**

[45] **Date of Patent: ** May 2, 2000**

[54] **REMOVABLE SUSPENDERS**

[76] Inventor: **Michael Dancyger**, 811 W. 58th St.,
Los Angeles, Calif. 90037

[**] Term: **14 Years**

[21] Appl. No.: **29/104,159**

[22] Filed: **Apr. 29, 1999**

[51] **LOC (7) Cl.** **02-07**

[52] **U.S. Cl.** **D2/626**

[58] **Field of Search** D2/624, 626, 640;
D29/100, 101; 2/300, 305, 310, 311, 312,
340, 327

[56] **References Cited**

U.S. PATENT DOCUMENTS

770,419	9/1904	Clarke	2/327
2,437,714	3/1948	Thomason, Jr.	2/327
3,220,018	11/1965	Johnson	2/327
5,133,092	7/1992	Altinger	2/300
5,623,735	4/1997	Perry	2/327

Primary Examiner—Paula A. Mortimer
Attorney, Agent, or Firm—Andra M. Vaccaro

[57] **CLAIM**

An ornamental design for removable suspenders, as shown and described.

DESCRIPTION

FIG. 1 is a perspective view showing the front top left of the design of the removable suspenders with the belt shown in phantom;

FIG. 2 is a front elevational view of the design of the removable suspenders shown in FIG. 1 with the belt shown in phantom;

FIG. 3 is a rear elevational view of the design of the removable suspenders shown in FIG. 1 with the belt shown in phantom;

FIG. 4 is a right side elevational view of the design of the removable suspenders shown in FIG. 1 with the belt shown in phantom; and,

FIG. 5 is a view taken along line 5/5 of FIG. 2 with the belt shown in phantom.

The broken line showing of the belt with pockets in all views is for illustrative purposes only and forms no part of the claimed design.

1 Claim, 5 Drawing Sheets

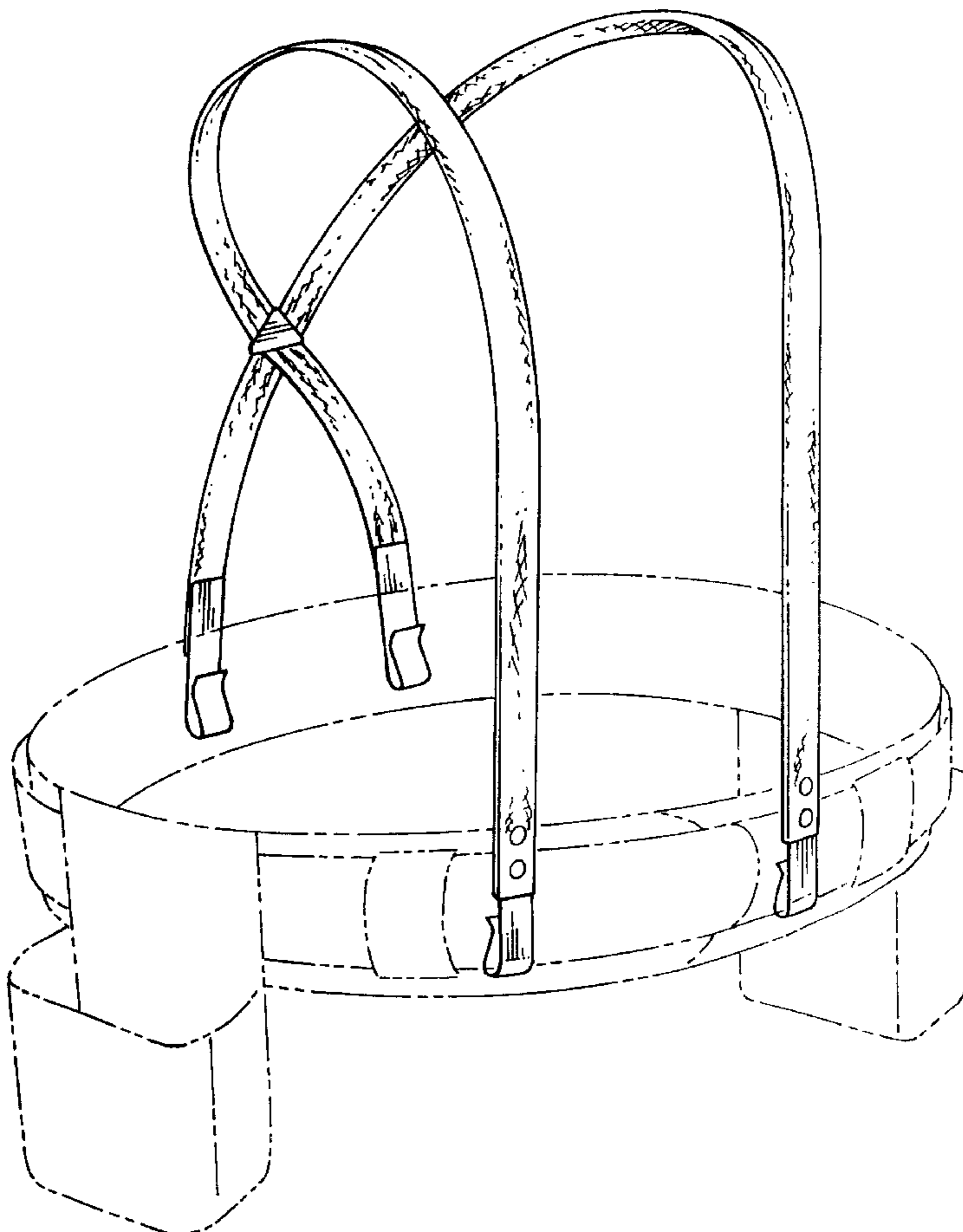


FIG. 1

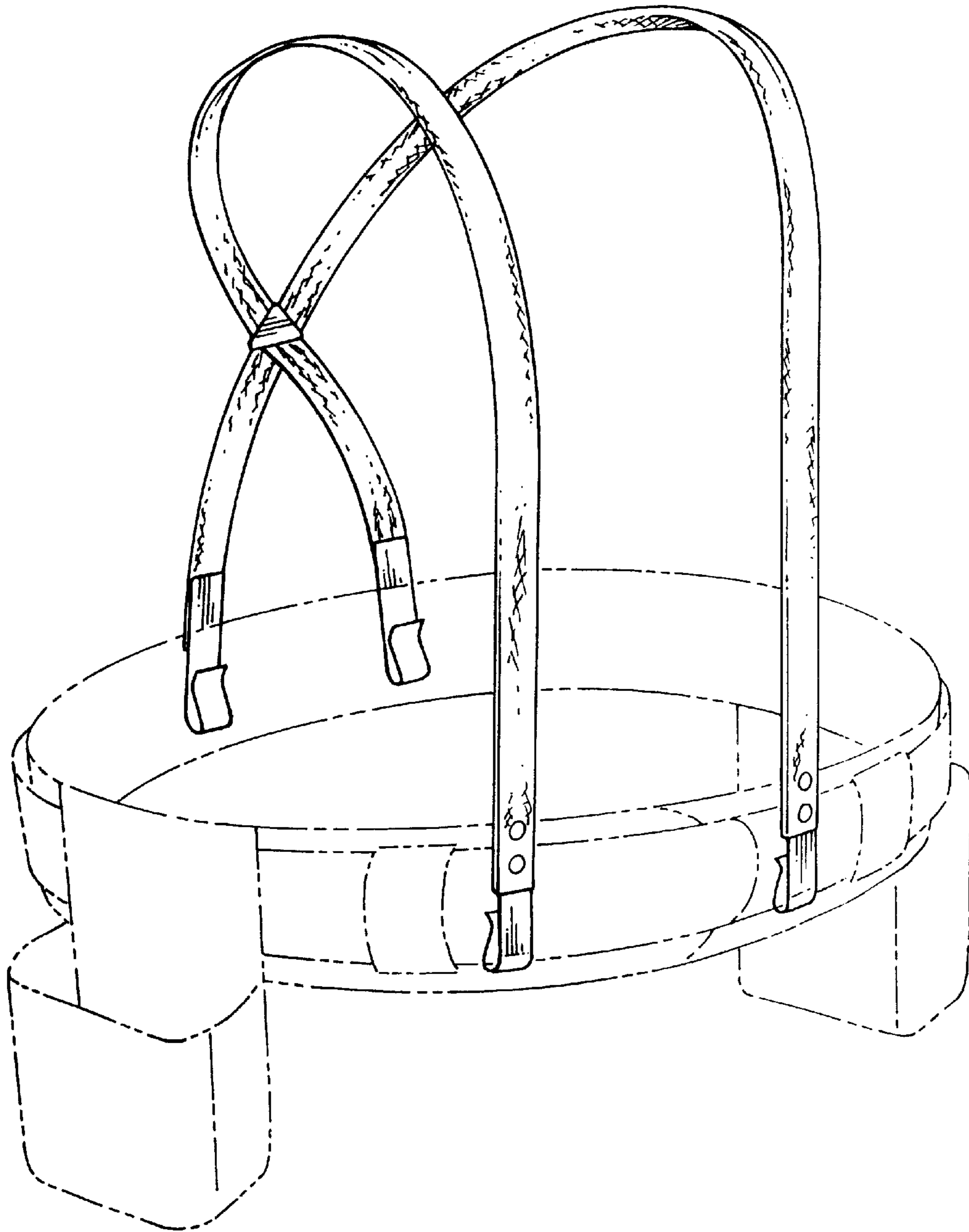


FIG. 2

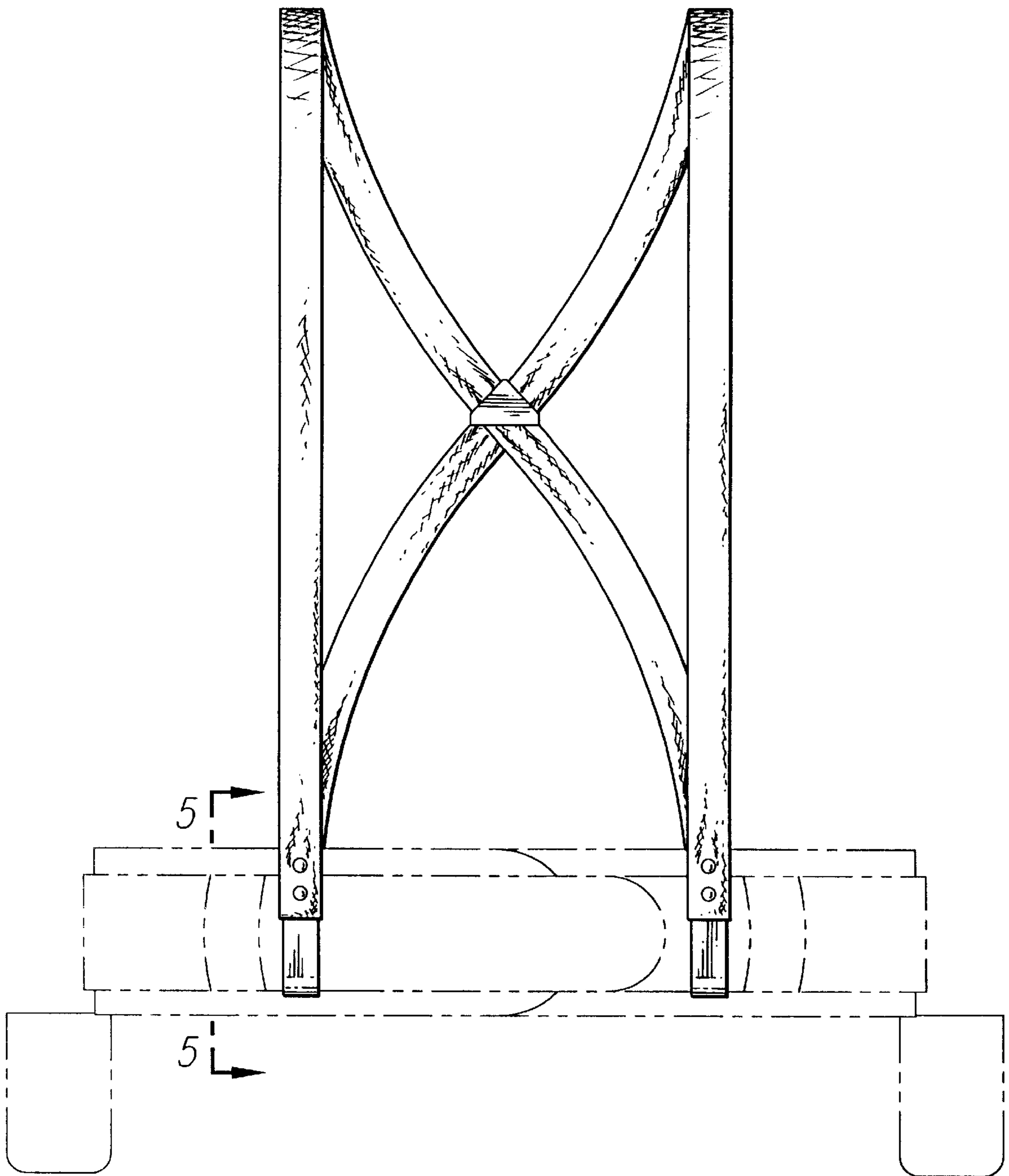


FIG. 3

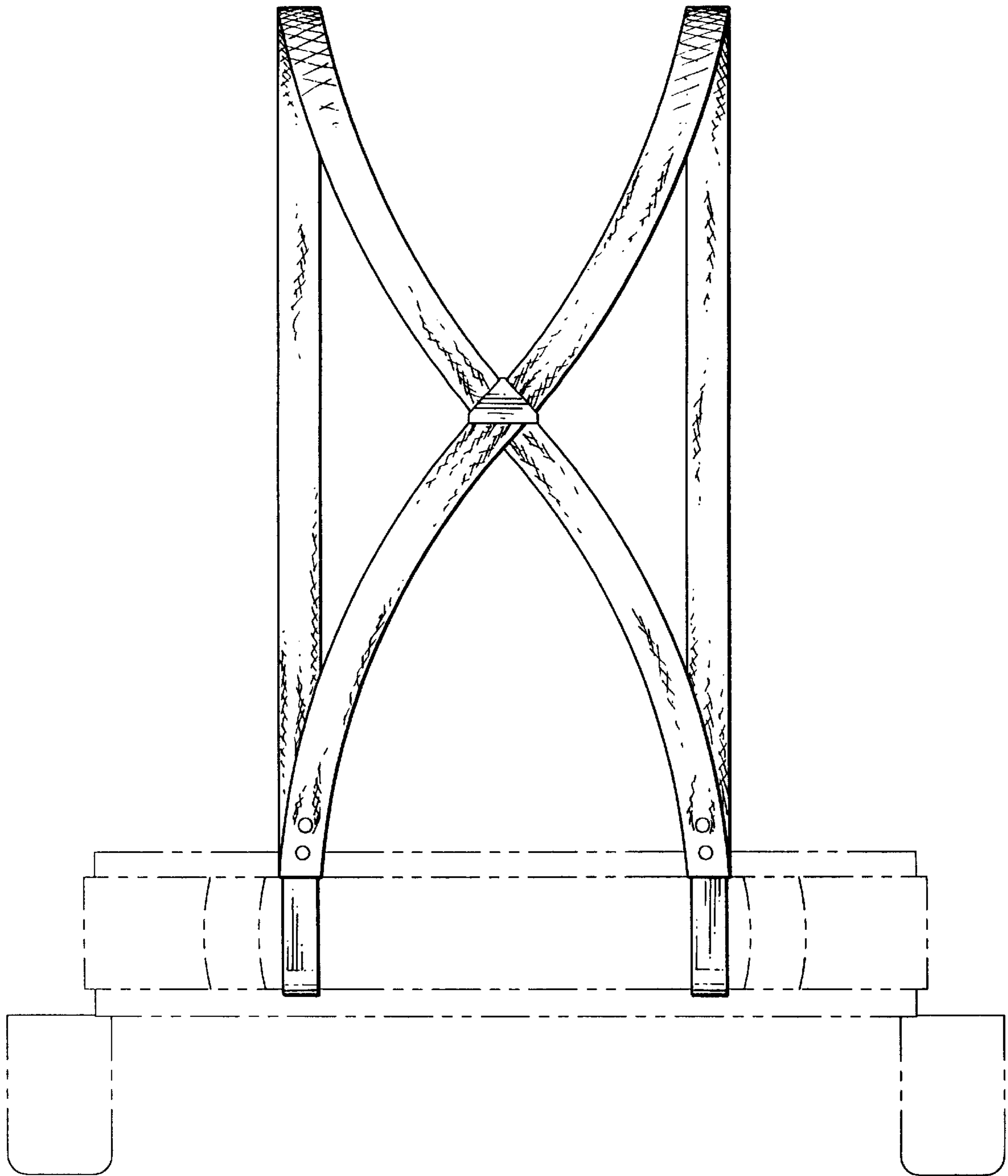


FIG. 4

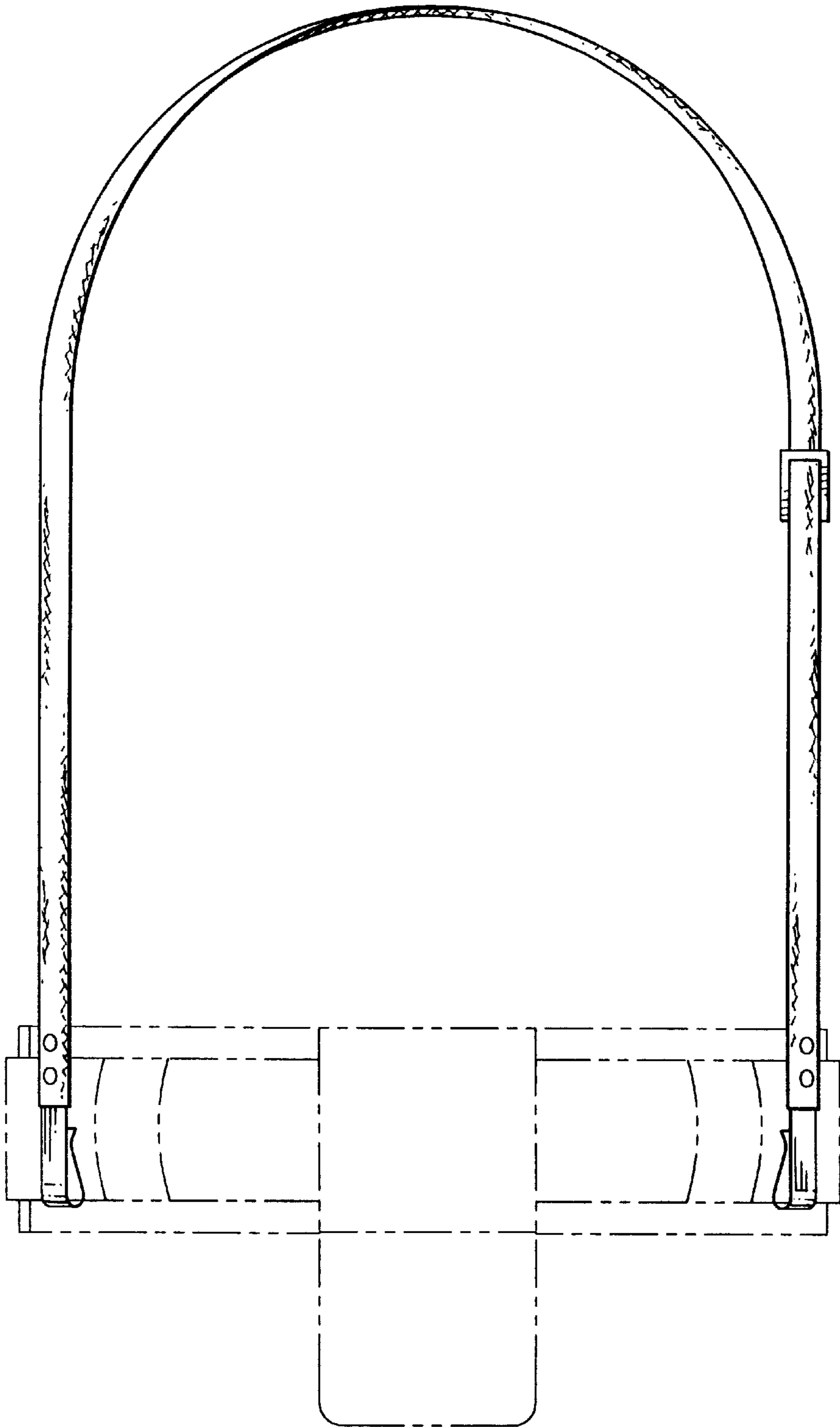


FIG. 5

