



US00D423756S

United States Patent [19]

Borer

[11] Patent Number: Des. 423,756

[45] Date of Patent: ** Apr. 25, 2000

[54] MAILBOX

[76] Inventor: Carlo Borer, Gewerbestrasse 13, 4528 Zuchwil, Switzerland

[**] Term: 14 Years

[21] Appl. No.: 29/104,238

[22] Filed: Apr. 30, 1999

[51] LOC (6) Cl. 99-00

[52] U.S. Cl. D99/30

[58] Field of Search D99/29, 30, 31, D99/32, 33, 43, 99; 232/1 A, 1 C, 17, 27, 30, 45; 109/24.1; D20/1, 4; 446/52, 231

[56] **References Cited**

U.S. PATENT DOCUMENTS

D. 342,367	12/1993	Lamancusa	D99/30
D. 348,969	7/1994	Barbour	D99/30
D. 375,394	11/1996	Hodges	D99/30
3,397,481	8/1968	Boese	446/52

Primary Examiner—Paula A. Mortimer
Attorney, Agent, or Firm—Bachman & LaPointe, P.C.

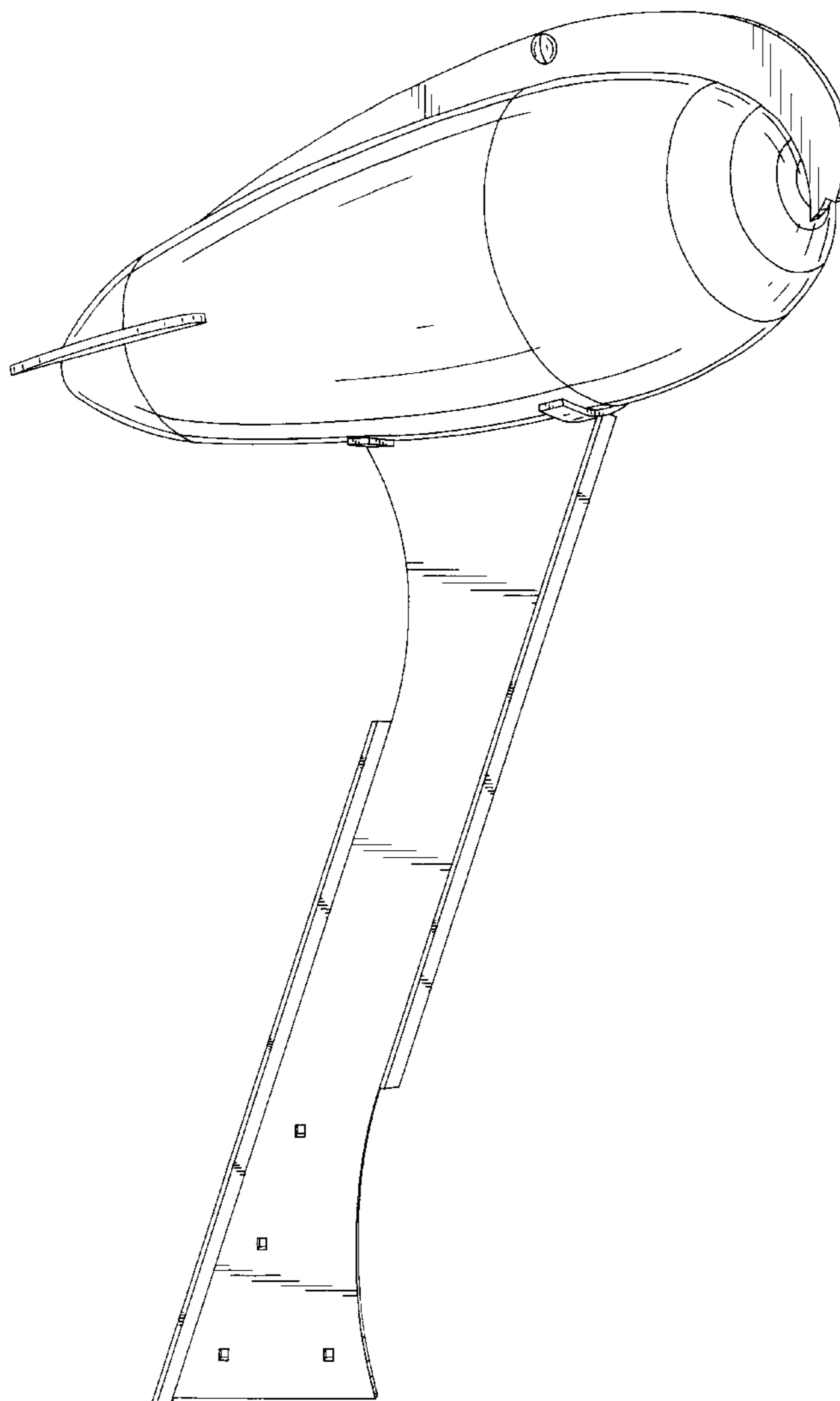
[57] **CLAIM**

The ornamental design for a mailbox, as shown and described.

DESCRIPTION

FIG. 1 is a perspective view of a mailbox embodying the design of the present invention;
FIG. 2 is a bottom elevation view of the mailbox of FIG. 1;
FIG. 3 is a top elevation view of the mailbox of FIG. 1;
FIG. 4 is a right side elevation view of the mailbox of FIG. 1;
FIG. 5 is a left side elevation view of the mailbox of FIG. 1;
FIG. 6 is a front elevation view of the mailbox of FIG. 1; and,
FIG. 7 is a back elevation view of the mailbox of FIG. 1.

1 Claim, 5 Drawing Sheets



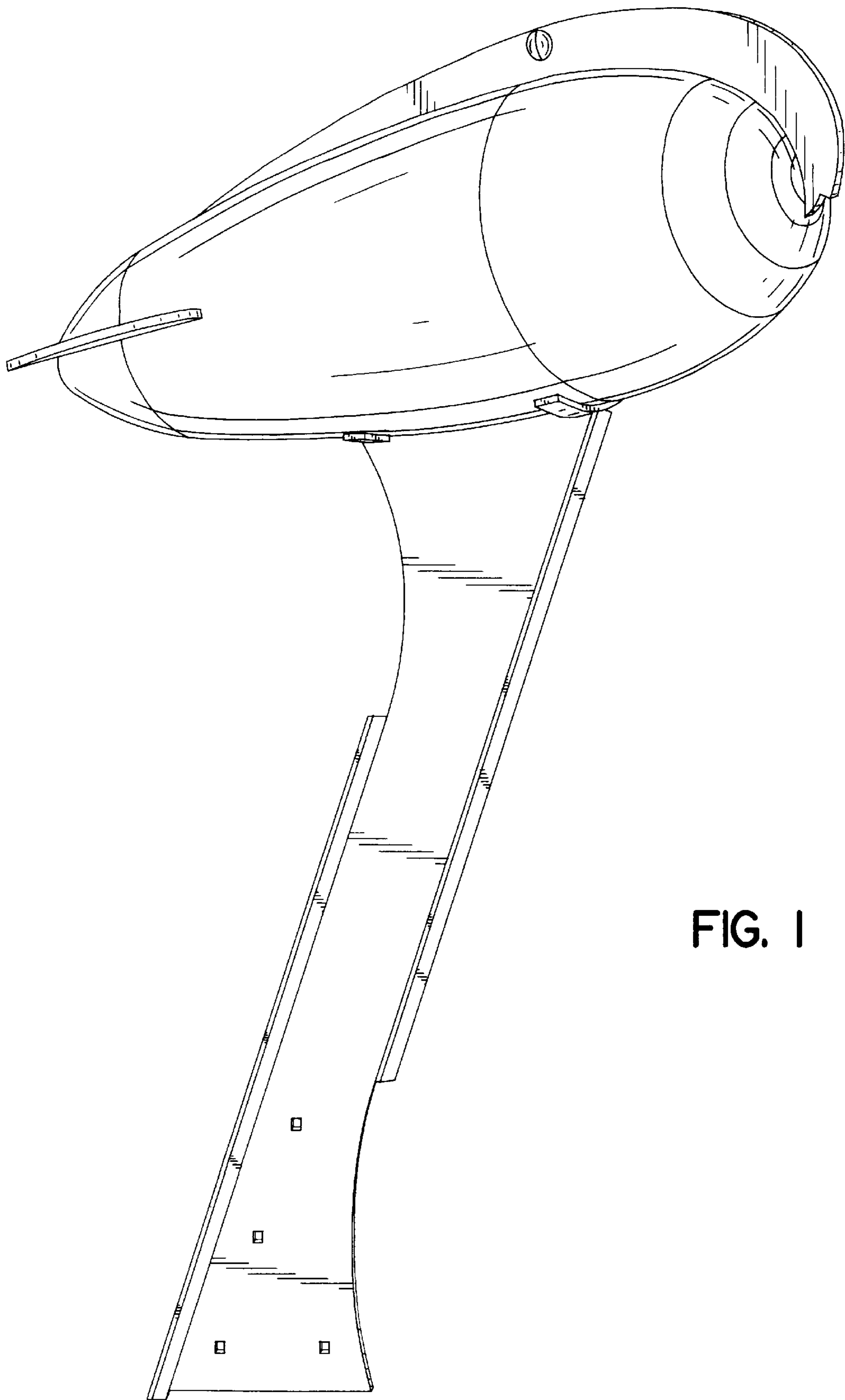


FIG. 1

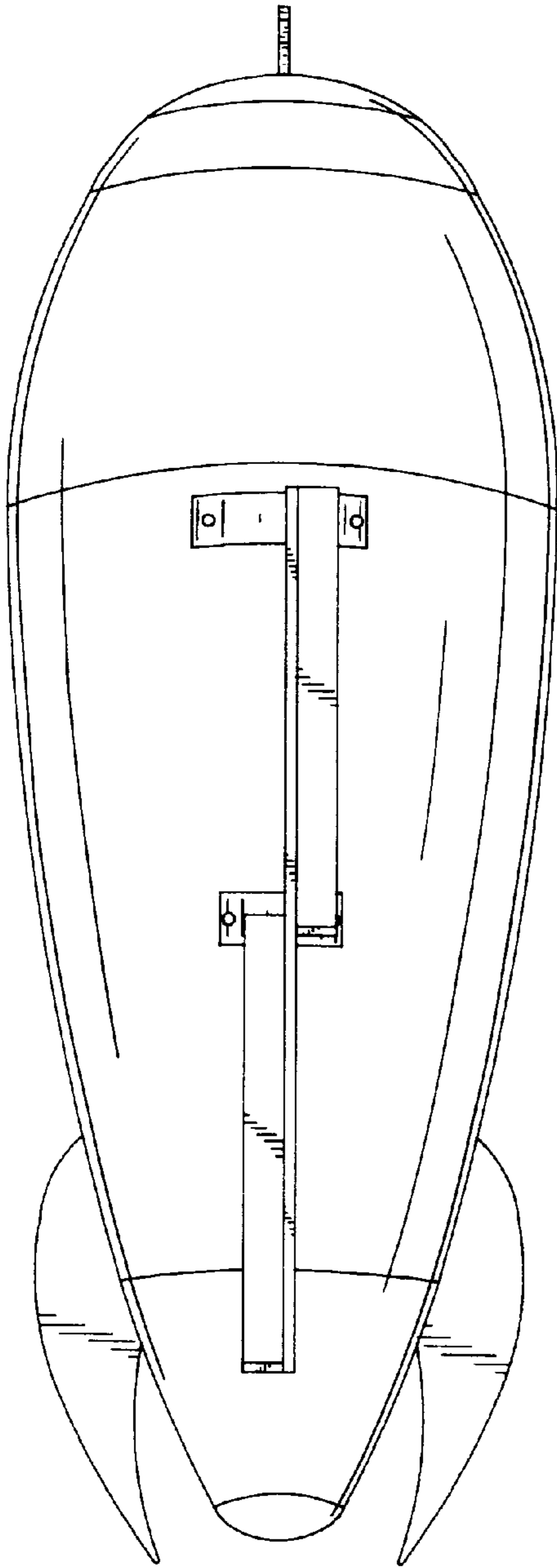


FIG. 2

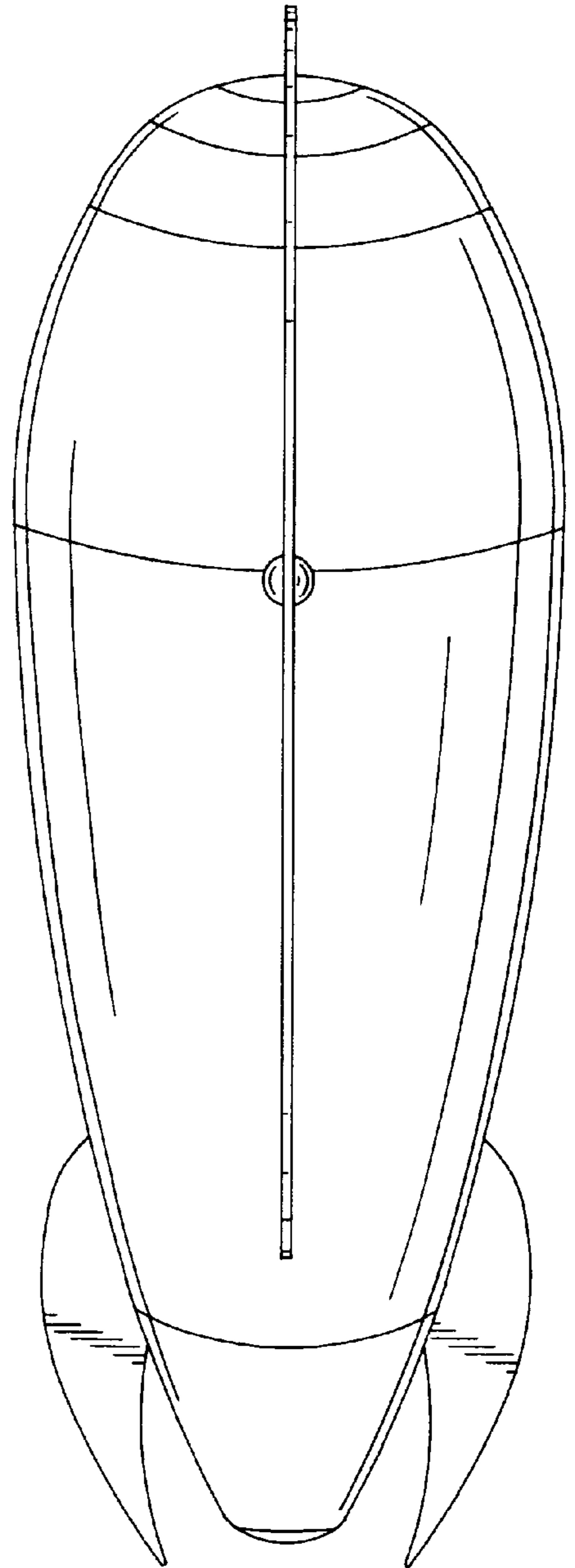


FIG. 3

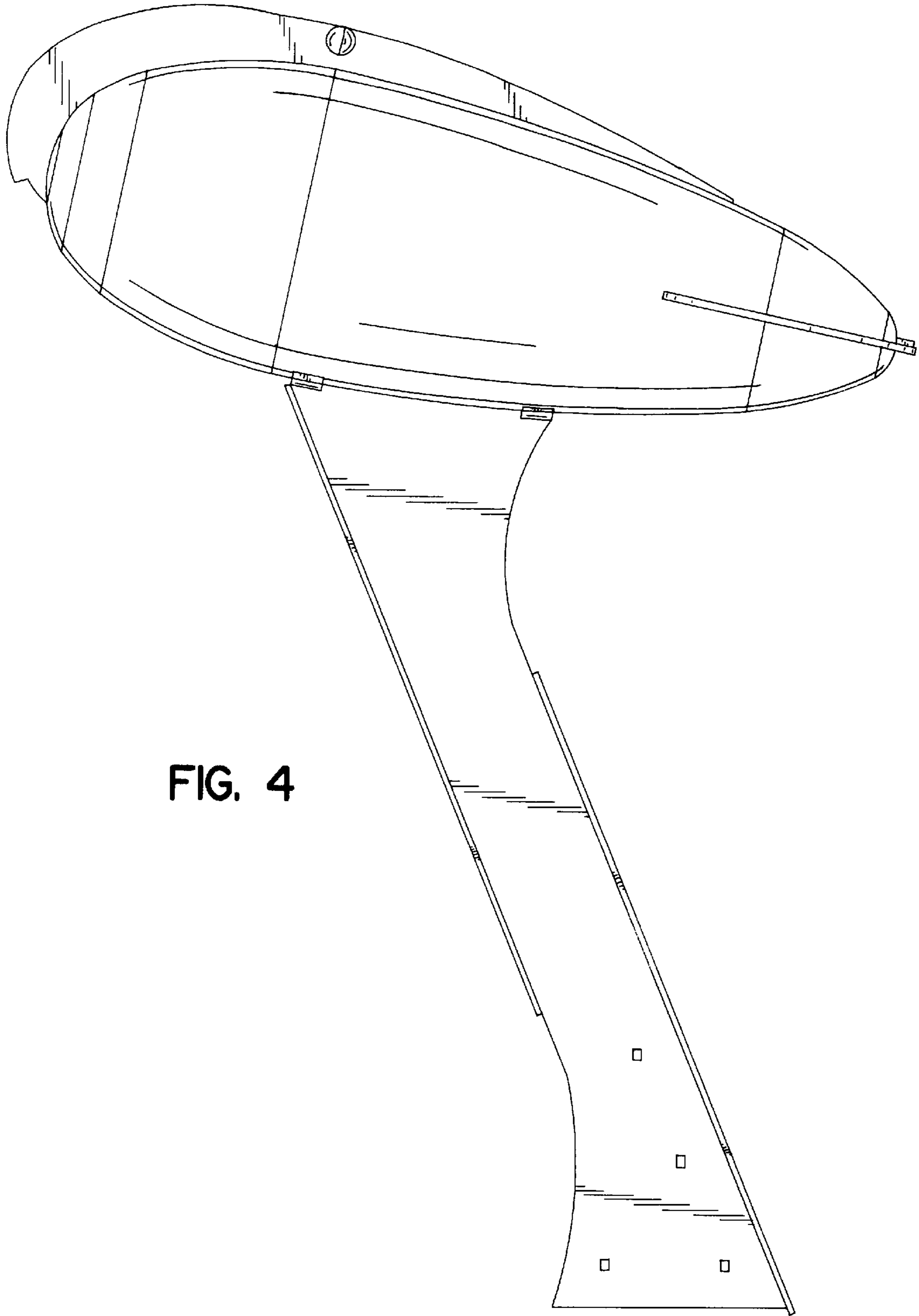


FIG. 4

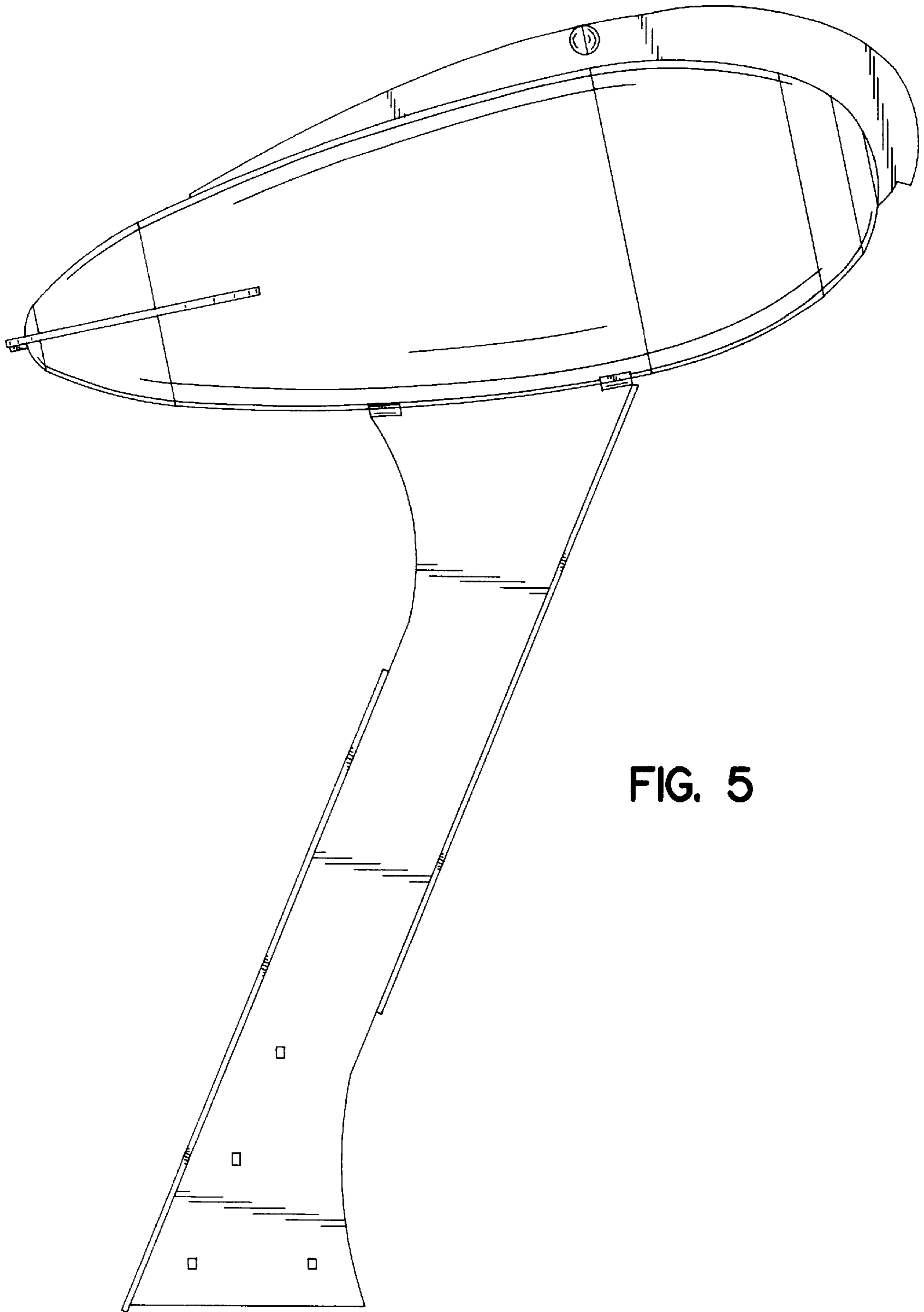


FIG. 5

