



US00D423755S

United States Patent [19]
Ha

[11] **Patent Number: Des. 423,755**
[45] **Date of Patent: ** Apr. 25, 2000**

[54] **ATM SURROUNDING DEVICE**
[75] Inventor: **Nhut Trung Ha**, Los Angeles, Calif.
[73] Assignee: **Citicorp Development Center, Inc.**,
Los Angeles, Calif.
[**] Term: **14 Years**
[21] Appl. No.: **29/107,999**
[22] Filed: **Jul. 20, 1999**
[51] **LOC (6) Cl.** **14-02**
[52] **U.S. Cl.** **D99/28; D99/43; D14/100**
[58] **Field of Search** D99/28, 35, 40,
D99/41, 43; D6/436, 437; D18/3; D20/10;
D14/100, 102, 103, 107; 235/379, 380,
381; 109/24.1, 1 V

D. 415,330 10/1999 King D99/28
Primary Examiner—Paula A. Mortimer
Attorney, Agent, or Firm—George T. Marcou; Kilpatrick
Stockton LLP

[57] **CLAIM**

The ornamental design for an ATM surrounding device, as shown and described.

DESCRIPTION

FIG. 1 is a right front perspective view of an ATM surrounding device showing my new design, the undisclosed left front perspective view is a mirror image; FIG. 2 is a front perspective view thereof; FIG. 3 is a rear perspective view thereof; FIG. 4 is a right side elevational view thereof; FIG. 5 is a left side elevational view thereof; FIG. 6 is a top plan view thereof; and, FIG. 7 is a front elevational view thereof. The bottom is flat and unornamented. The broken line showing of the ATM in all views is for illustrative purposes only and forms no part of the claimed design.

[56] **References Cited**

U.S. PATENT DOCUMENTS

D. 288,378 2/1987 Kobayashi et al. D99/28
D. 389,522 1/1998 Hesselbach et al. D20/10
D. 401,973 12/1998 Isshiki et al. D20/10
D. 407,755 4/1999 Isshiki et al. D20/10

1 Claim, 5 Drawing Sheets

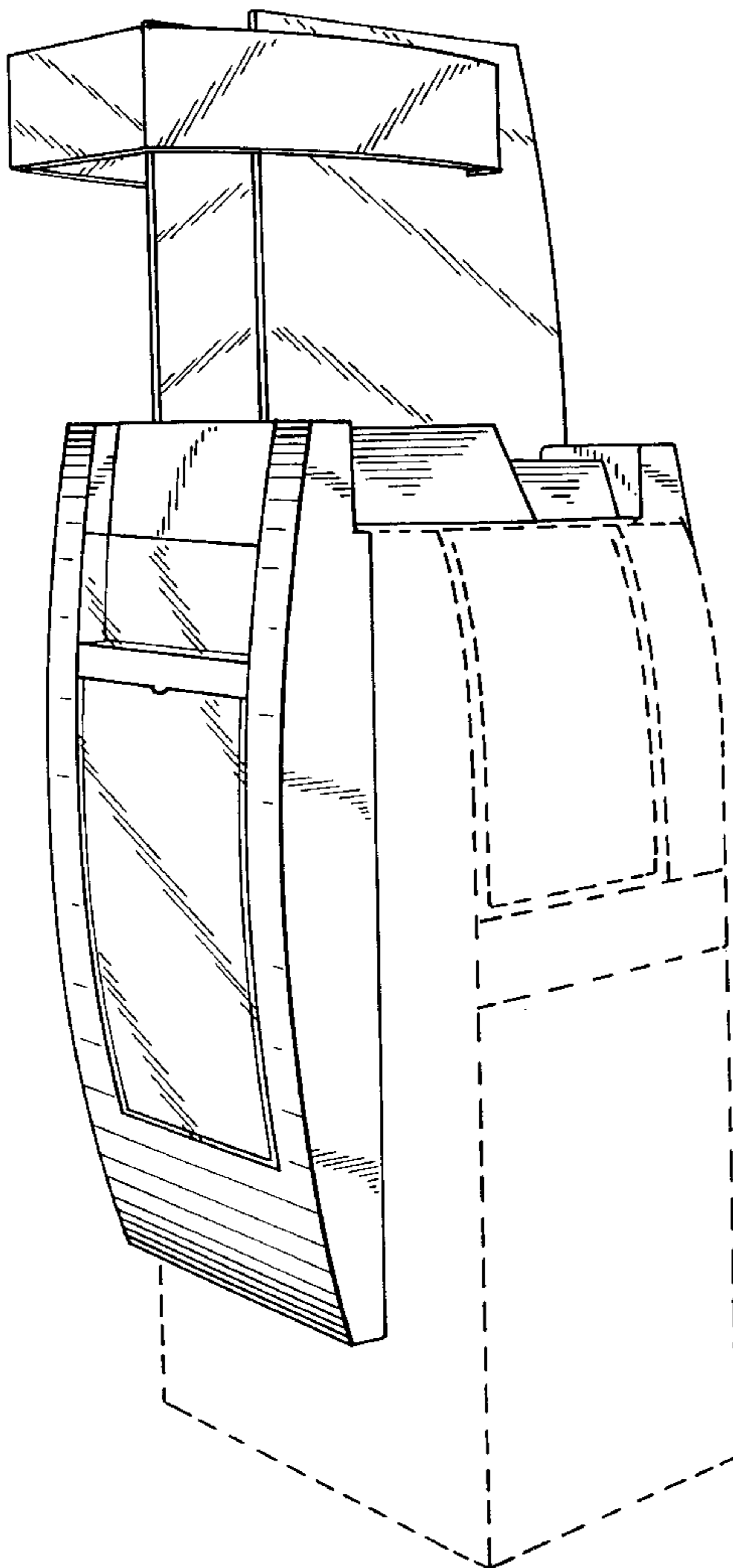


FIG. 1

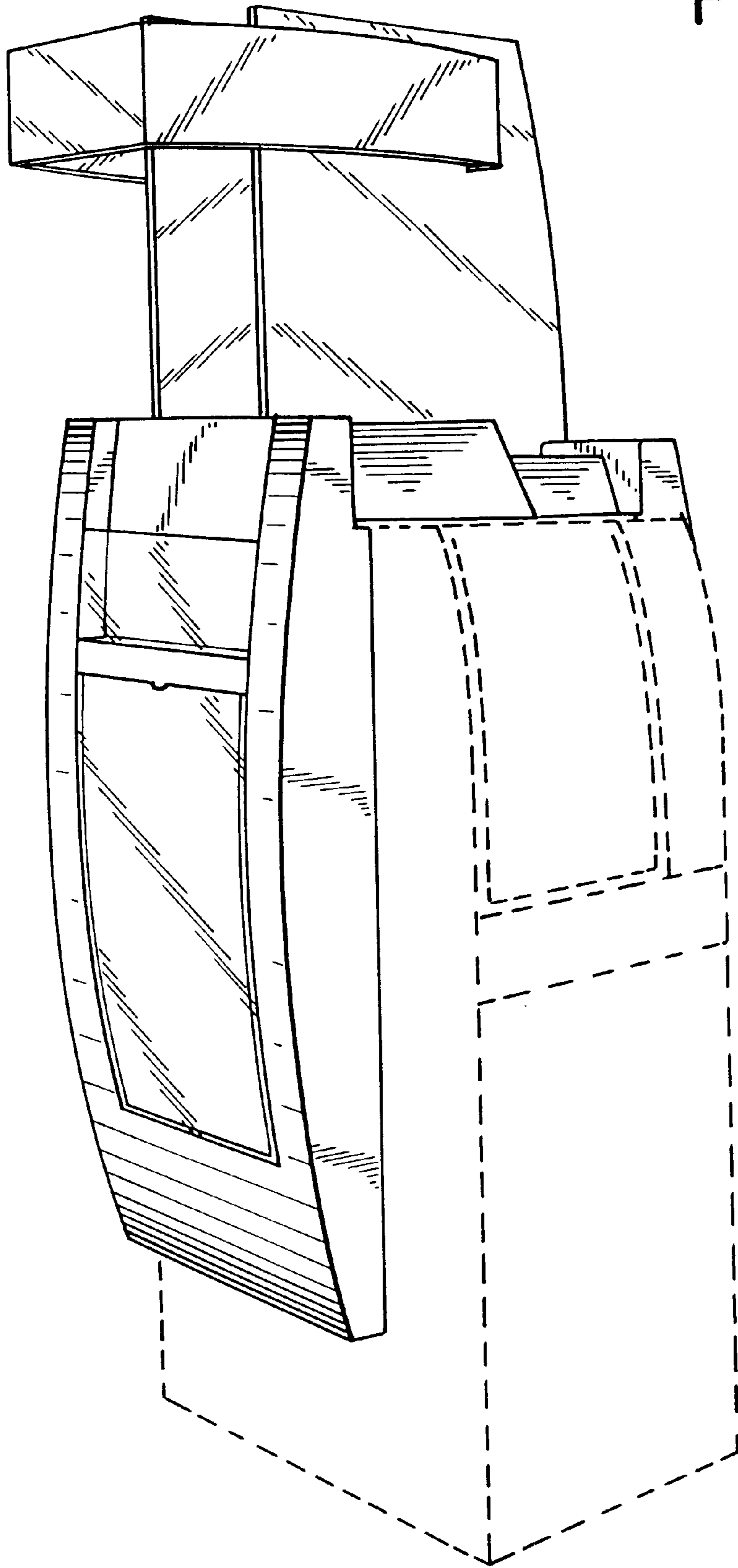


FIG. 3

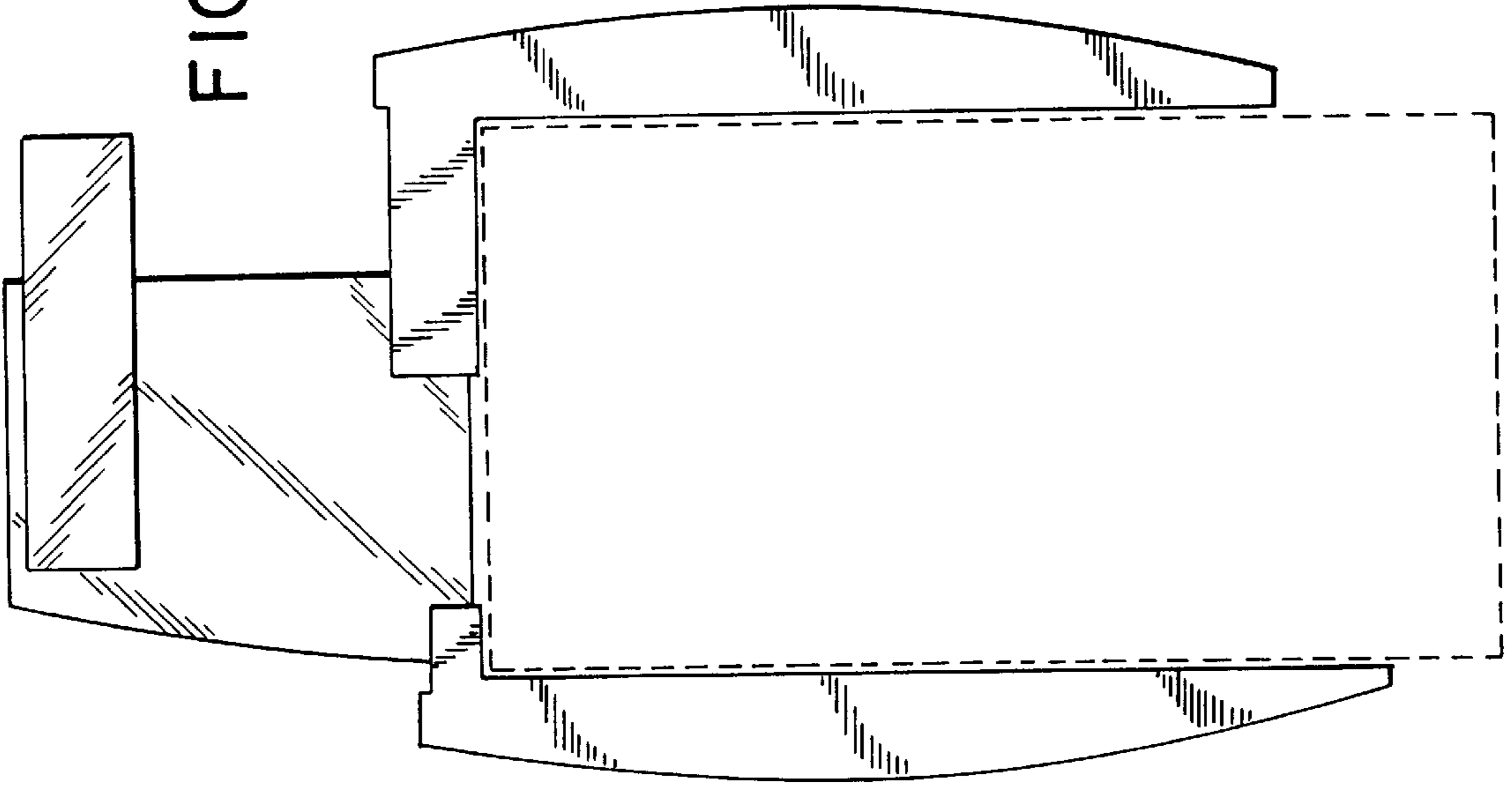
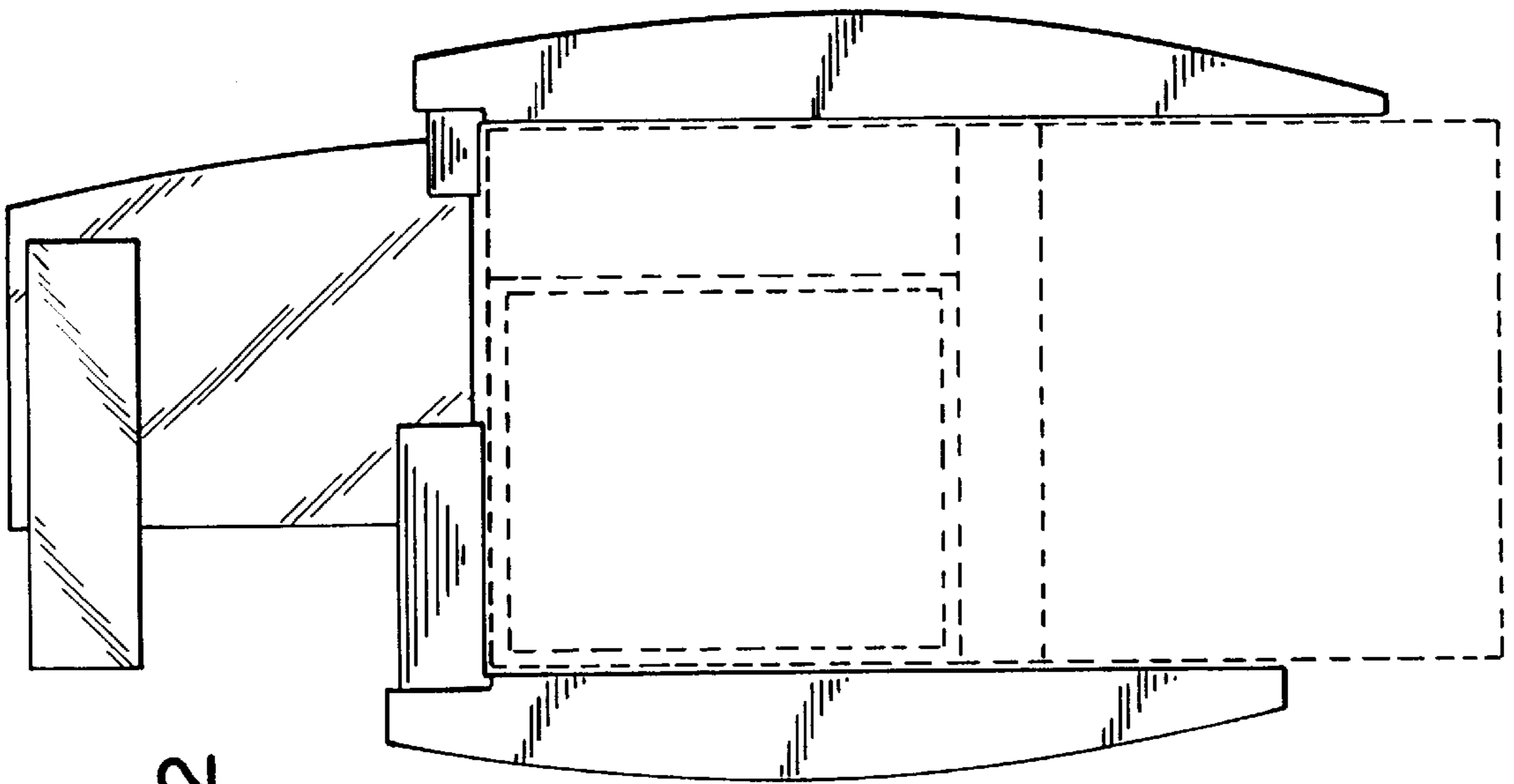


FIG. 2



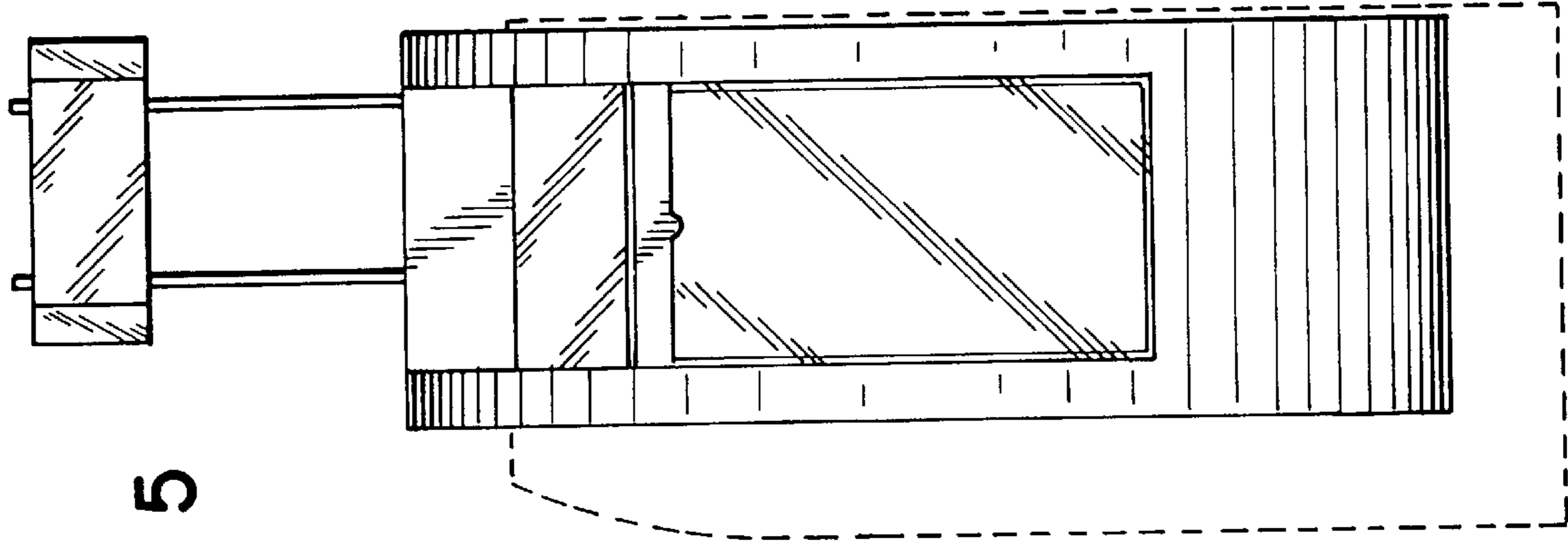


FIG. 5

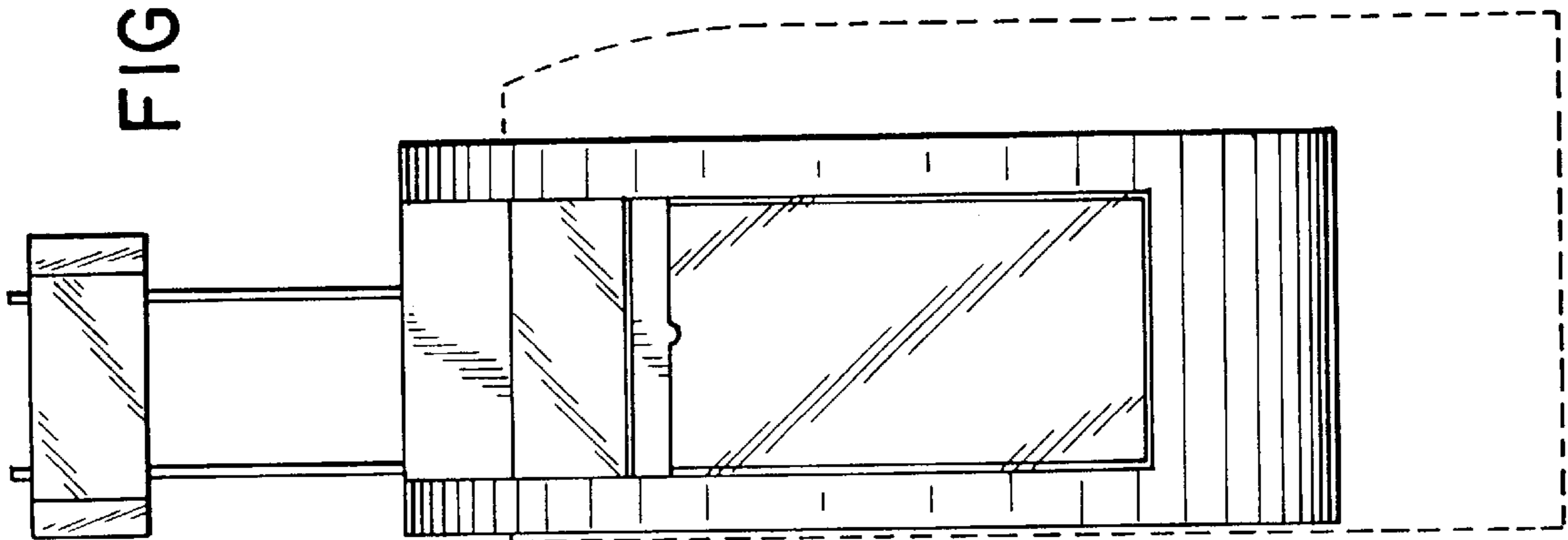


FIG. 4

FIG. 6

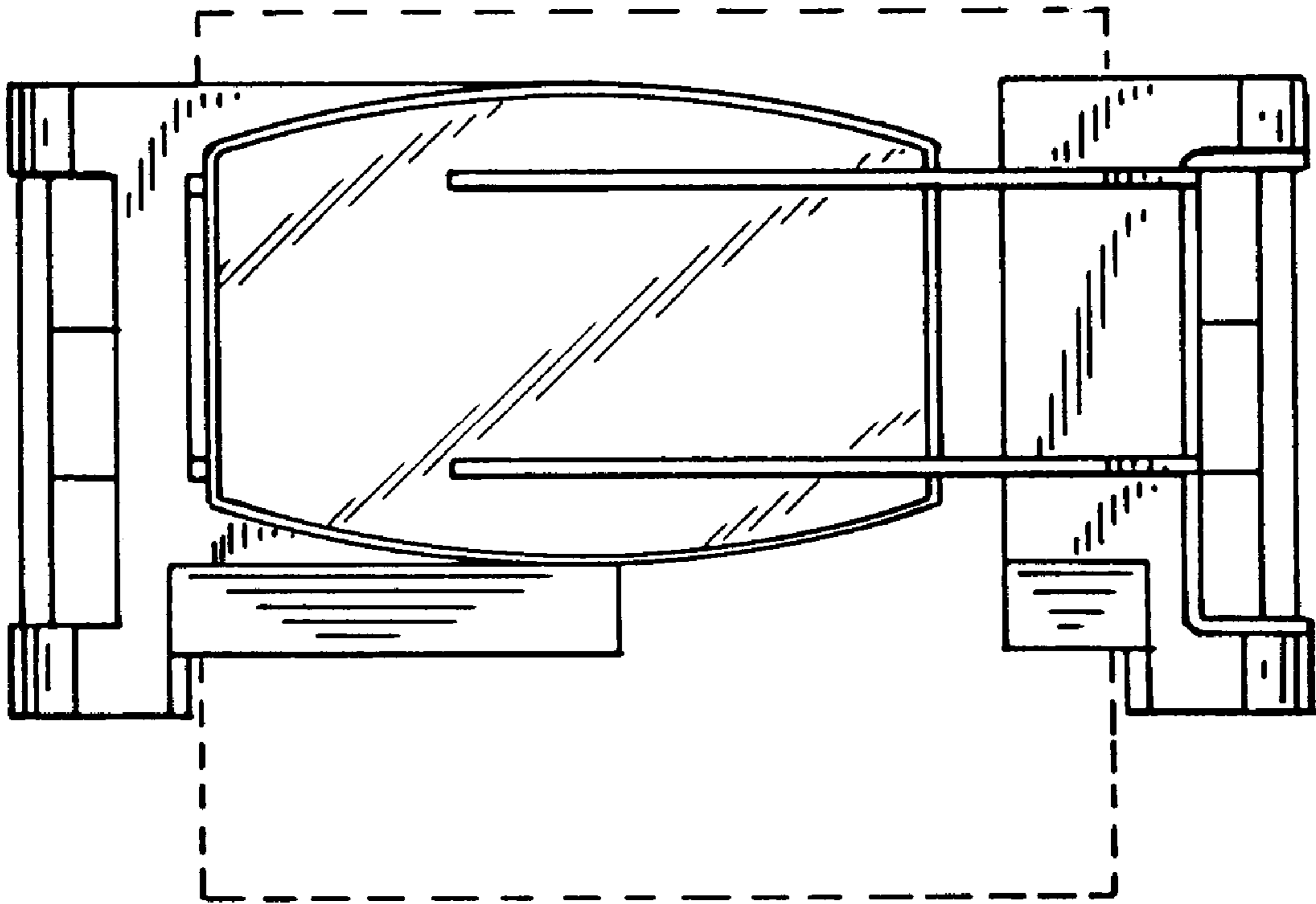


FIG. 7

