



US00D423754S

# United States Patent [19] Kim

[11] **Patent Number: Des. 423,754**

[45] **Date of Patent: \*\* Apr. 25, 2000**

[54] **EUCHARIST VESSEL**

[76] **Inventor: Hyung Dae Kim**, 106-1003, Jayoo Apt,  
25-1, Wooam-Dong, Nam-Ku, Pusan,  
Rep. of Korea

[\*\*] **Term: 14 Years**

[21] **Appl. No.: 29/095,061**

[22] **Filed: Oct. 15, 1998**

[51] **LOC (6) Cl. .... 07-01**

[52] **U.S. Cl. .... D99/25**

[58] **Field of Search .... D99/25; D7/507,  
D7/509, 510, 511, 513, 300.2, 514, 524;  
D9/341, 349, 353, 355, 436, 433; 206/520;  
220/703**

[56] **References Cited**

**U.S. PATENT DOCUMENTS**

D. 240,286	6/1976	Sarpaneva .....	D7/509
D. 291,659	9/1987	Powell .....	D99/25
D. 304,514	11/1989	Veizirian et al. ....	D99/25
D. 335,382	5/1993	O'Brien .....	D99/25
D. 346,308	4/1994	Cautereels et al. ....	D7/509
D. 395,125	6/1998	Richmond .....	D99/25

D. 400,398	11/1998	McNaughton .....	D7/513
962,641	6/1910	Kaufmann .....	220/703
3,471,055	10/1969	Edwards .....	206/520

*Primary Examiner*—Paula A. Mortimer  
*Attorney, Agent, or Firm*—Darby & Darby

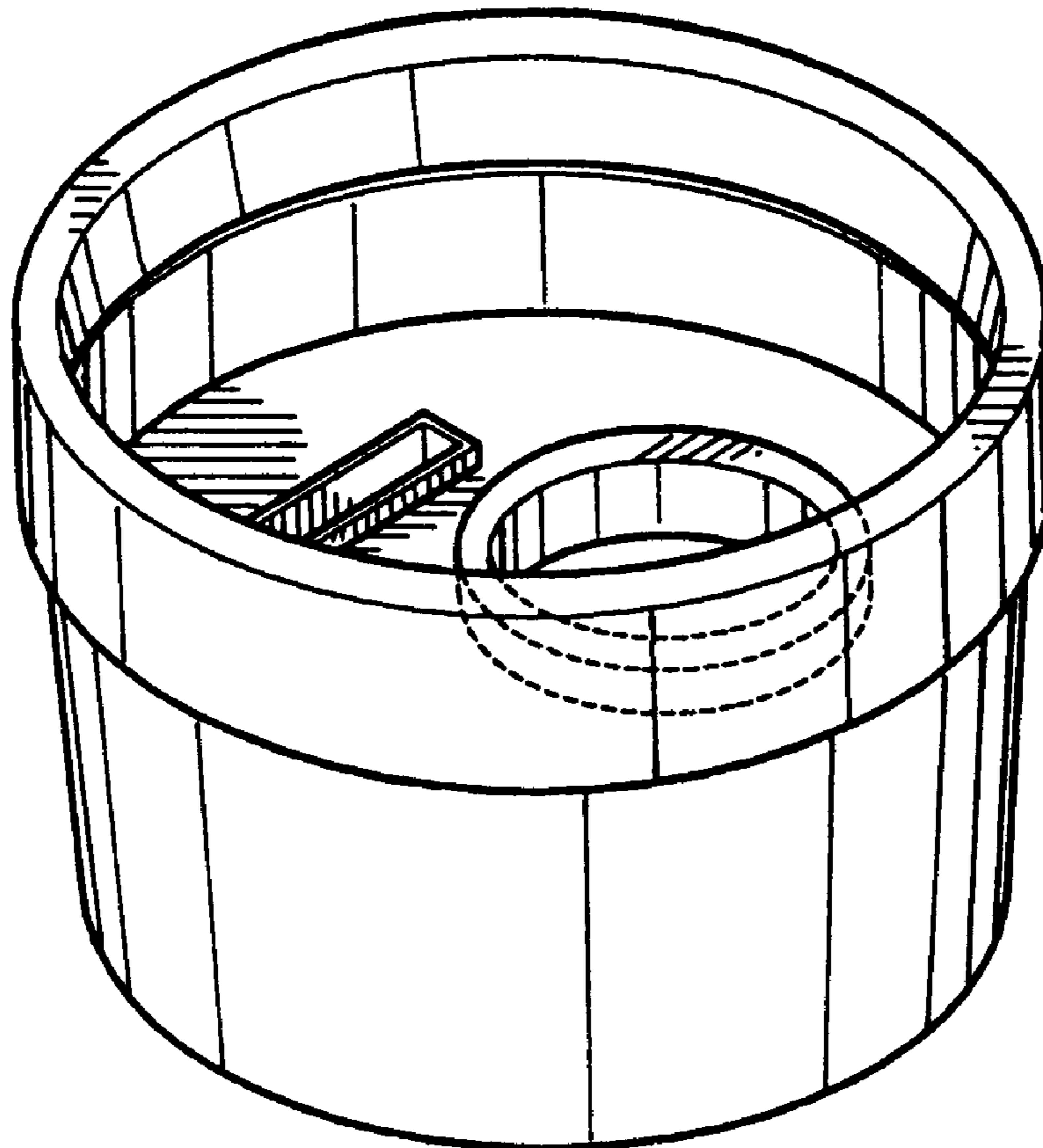
[57] **CLAIM**

The ornamental design for Eucharist vessel, as shown and described.

**DESCRIPTION**

FIG. 1 is a perspective view of a Eucharist vessel in accordance with my design, the broken lines completing the rim of the opening being for illustrative purposes only and forming no part of the claimed design;  
FIG. 2 is a front view thereof, the rear, right and left side views being identical;  
FIG. 3 is a top plan view thereof;  
FIG. 4 is a bottom view thereof;  
FIG. 5 is a sectional view thereof along line 5—5 in FIG. 3; and,  
FIG. 6 is a perspective view thereof, the broken line showing of the host, cup and Eucharist table is for illustrative purposes only and forms no part of the claimed design.

**1 Claim, 2 Drawing Sheets**



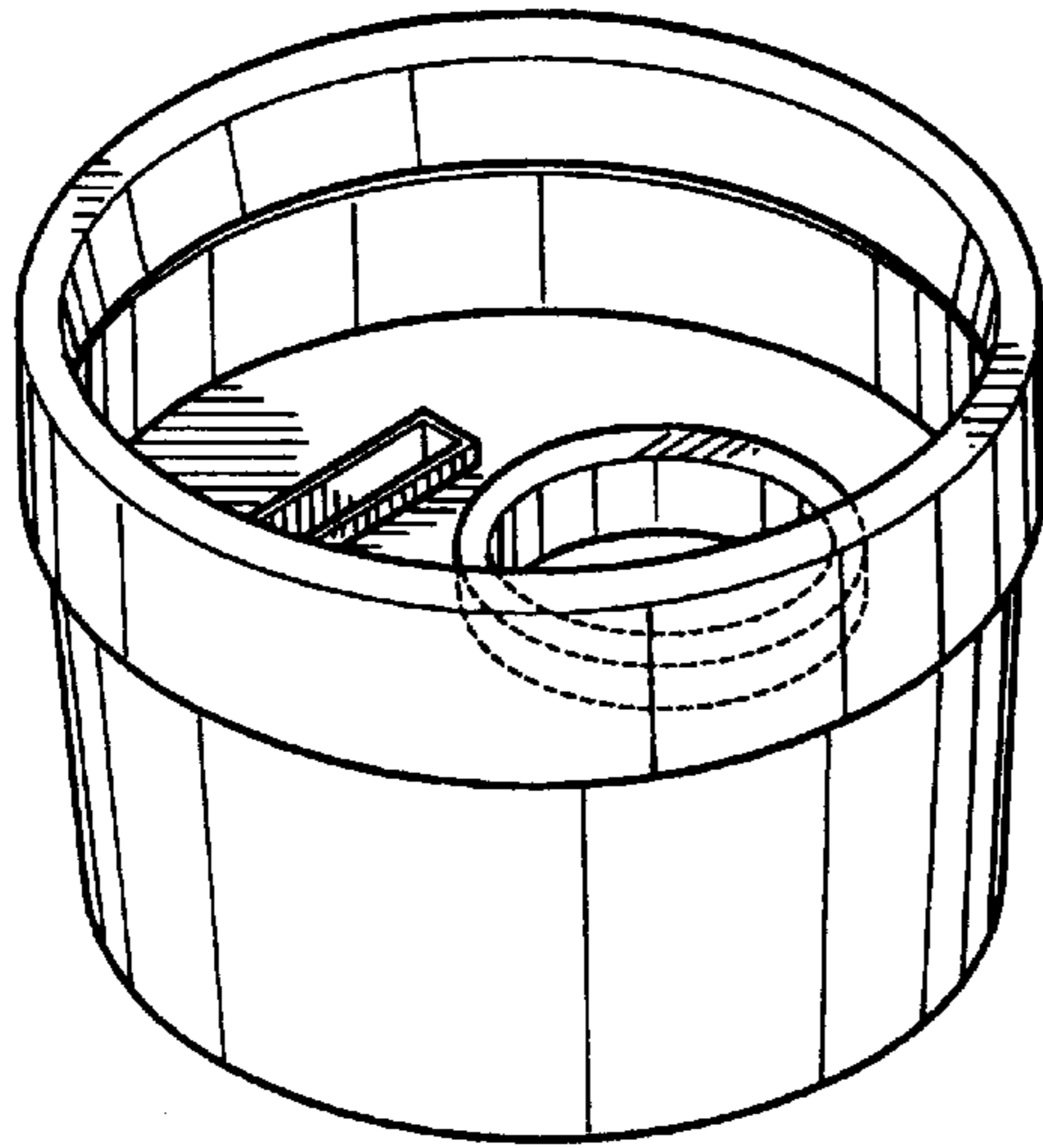


FIG. 1

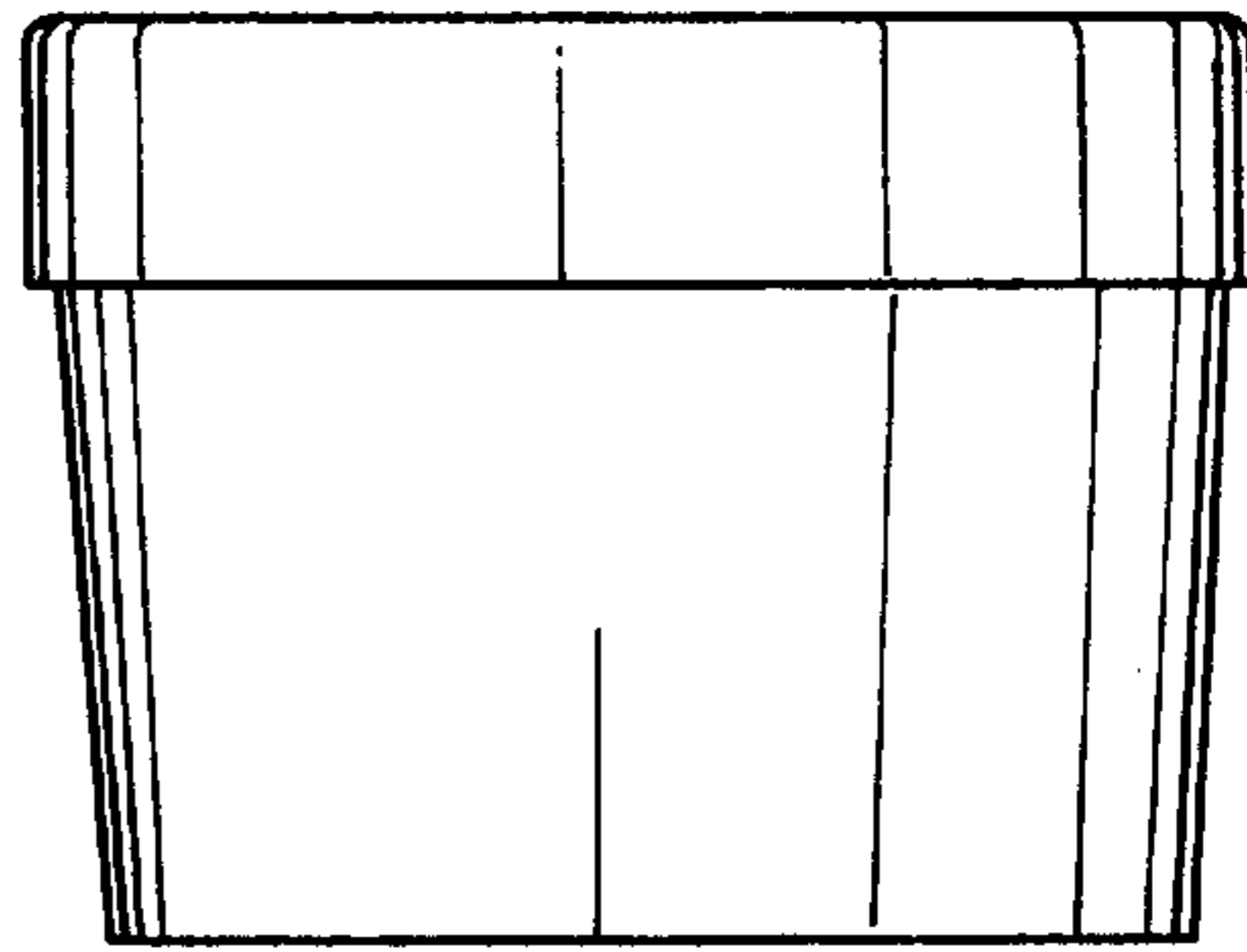


FIG. 2

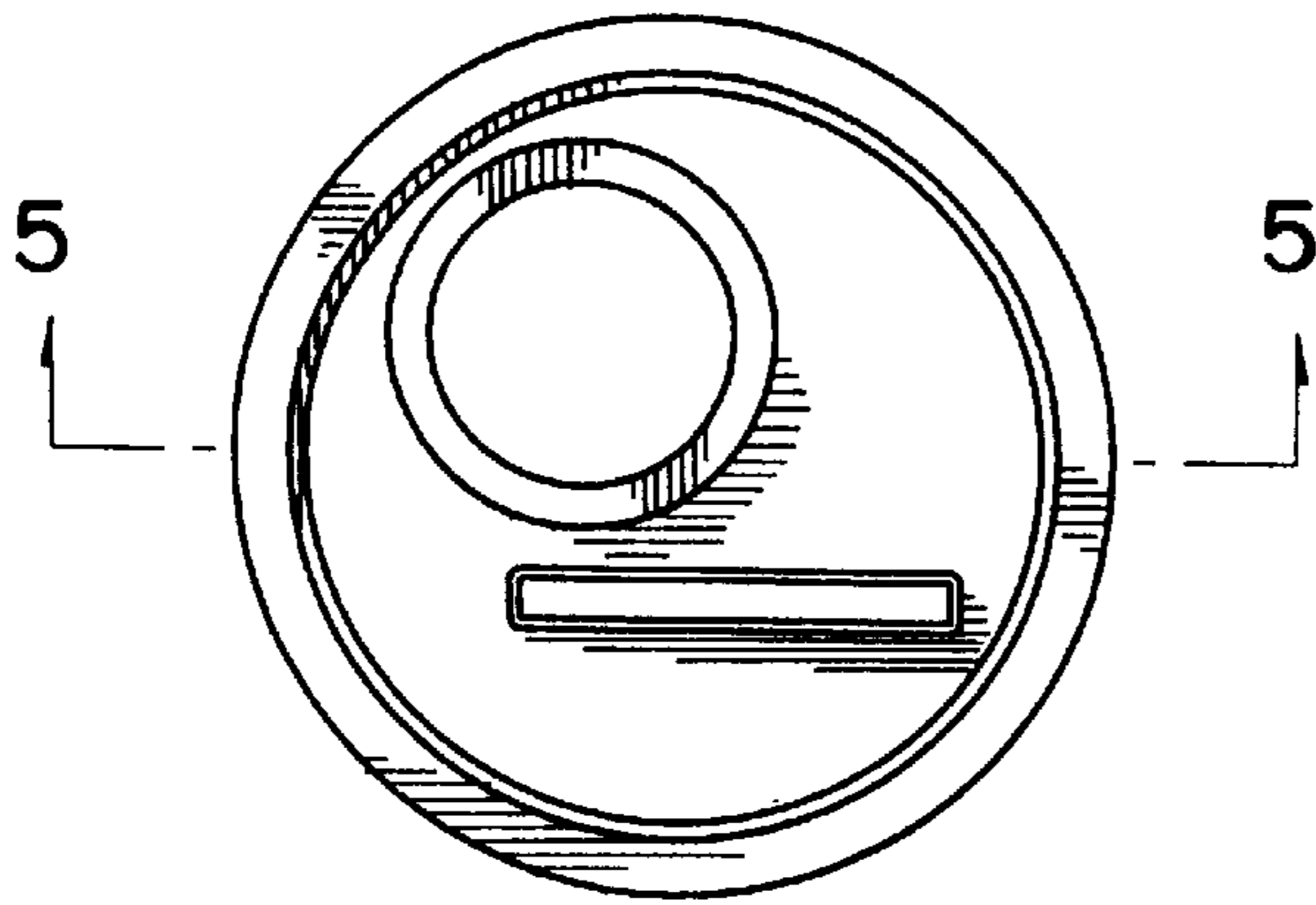


FIG. 3

FIG. 4

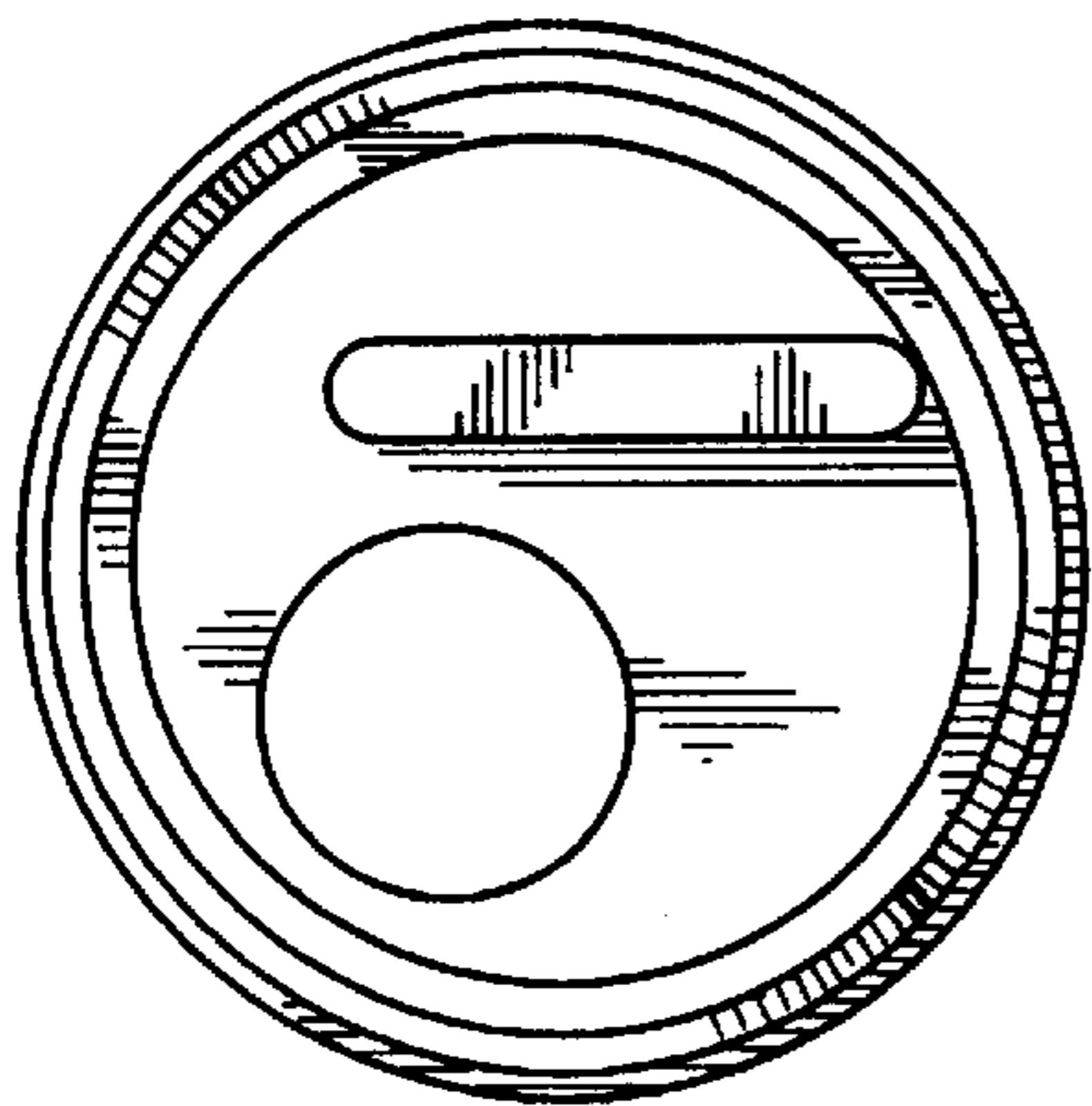


FIG. 5

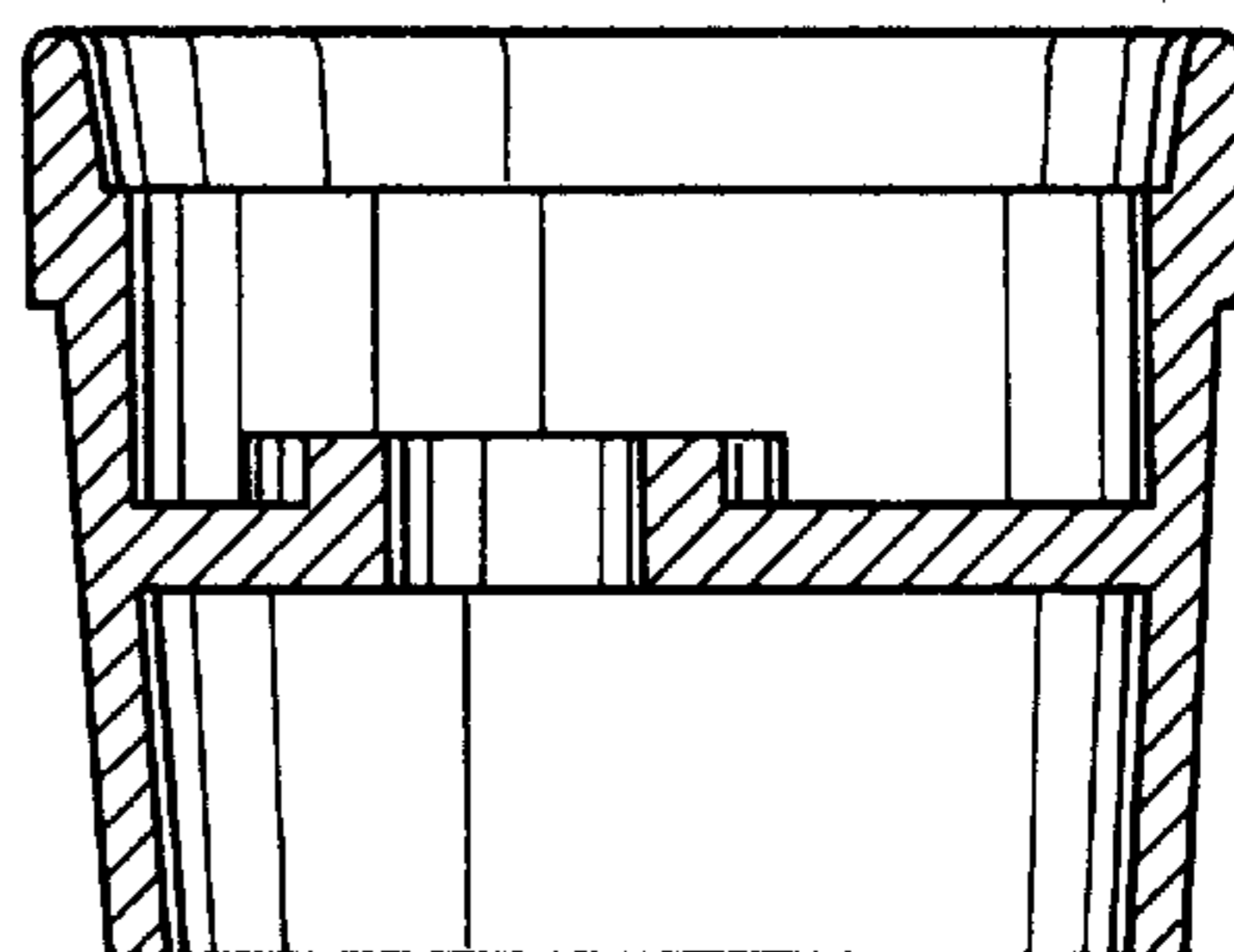


FIG. 6

