



US00D423751S

United States Patent [19] Owen

[11] Patent Number: **Des. 423,751**

[45] Date of Patent: **** Apr. 25, 2000**

[54] **OVERHEAD RADIAL ARM DEVICE**

[76] Inventor: **Leslie John Owen**, 30 Bennett Road,
Thurgoona, New South Wales 2640,
Australia

[**] Term: **14 Years**

[21] Appl. No.: **29/102,733**

[22] Filed: **Mar. 30, 1999**

[30] **Foreign Application Priority Data**

Oct. 1, 1998 [AU] Australia 3128/1998

[51] **LOC (6) Cl.** **12-05**

[52] **U.S. Cl.** **D34/33**

[58] **Field of Search** D34/33, 36; 254/120,
254/83, 124, 134

[56] **References Cited**

U.S. PATENT DOCUMENTS

D. 268,448 3/1983 Callhan et al. D34/33

D. 324,599	3/1992	Bailey	D34/31
3,059,785	10/1962	Buckeye	254/120
4,181,290	1/1980	Affolter	254/124
4,899,986	2/1990	Tweedy	254/8 B
5,556,148	9/1996	Skinner	254/124

Primary Examiner—Susan J. Lucas
Assistant Examiner—Cynthia Ramirez
Attorney, Agent, or Firm—Shlesinger, Arkwright & Garvey,
LLP

[57] **CLAIM**

The ornamental design for overhead radial arm device, as shown and described.

DESCRIPTION

FIG. 1 is a perspective view of an overhead radial arm device;
FIG. 2 is a side view;
FIG. 3 is a top plan view; and,
FIG. 4 is a front view.

1 Claim, 4 Drawing Sheets

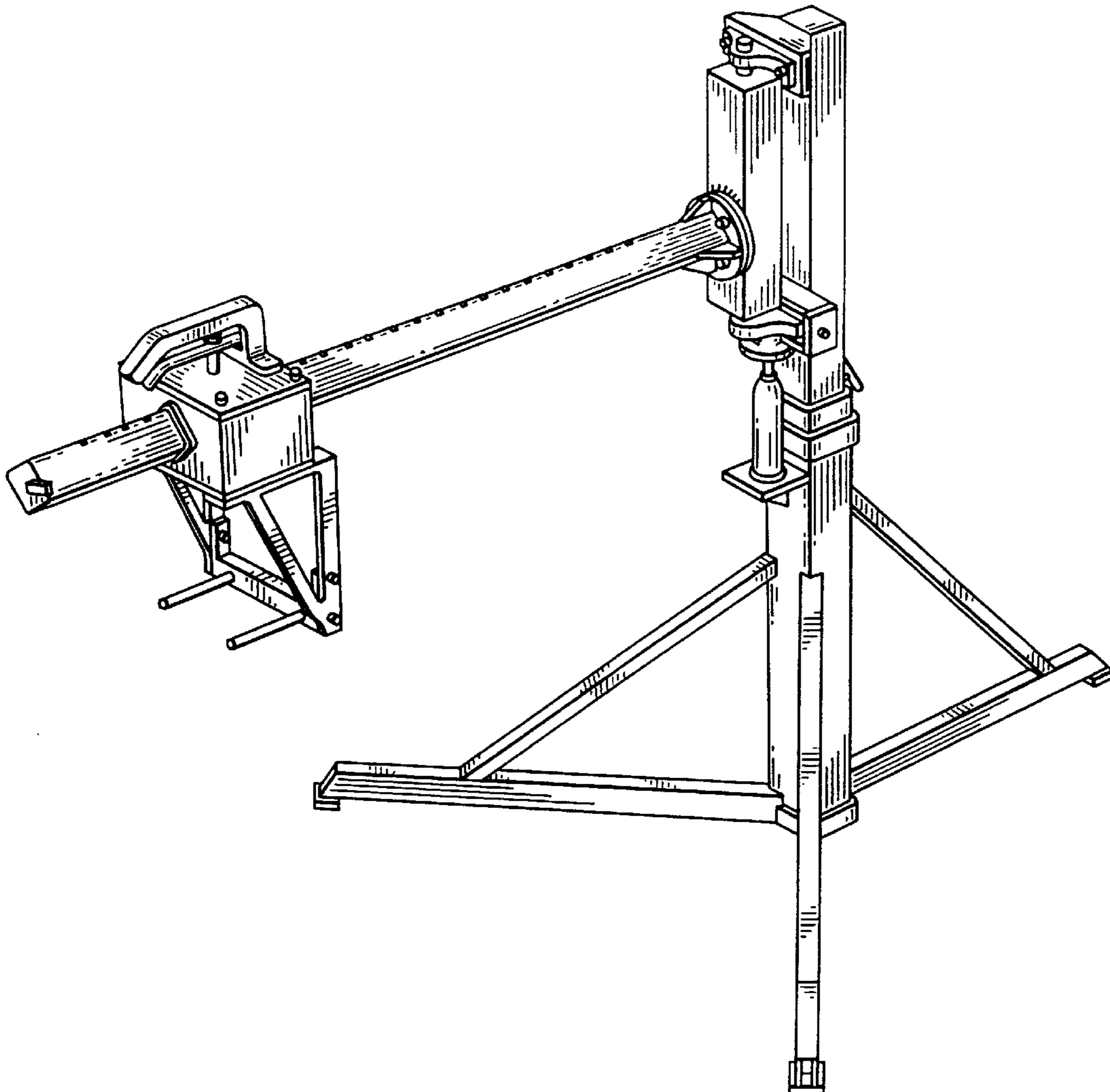
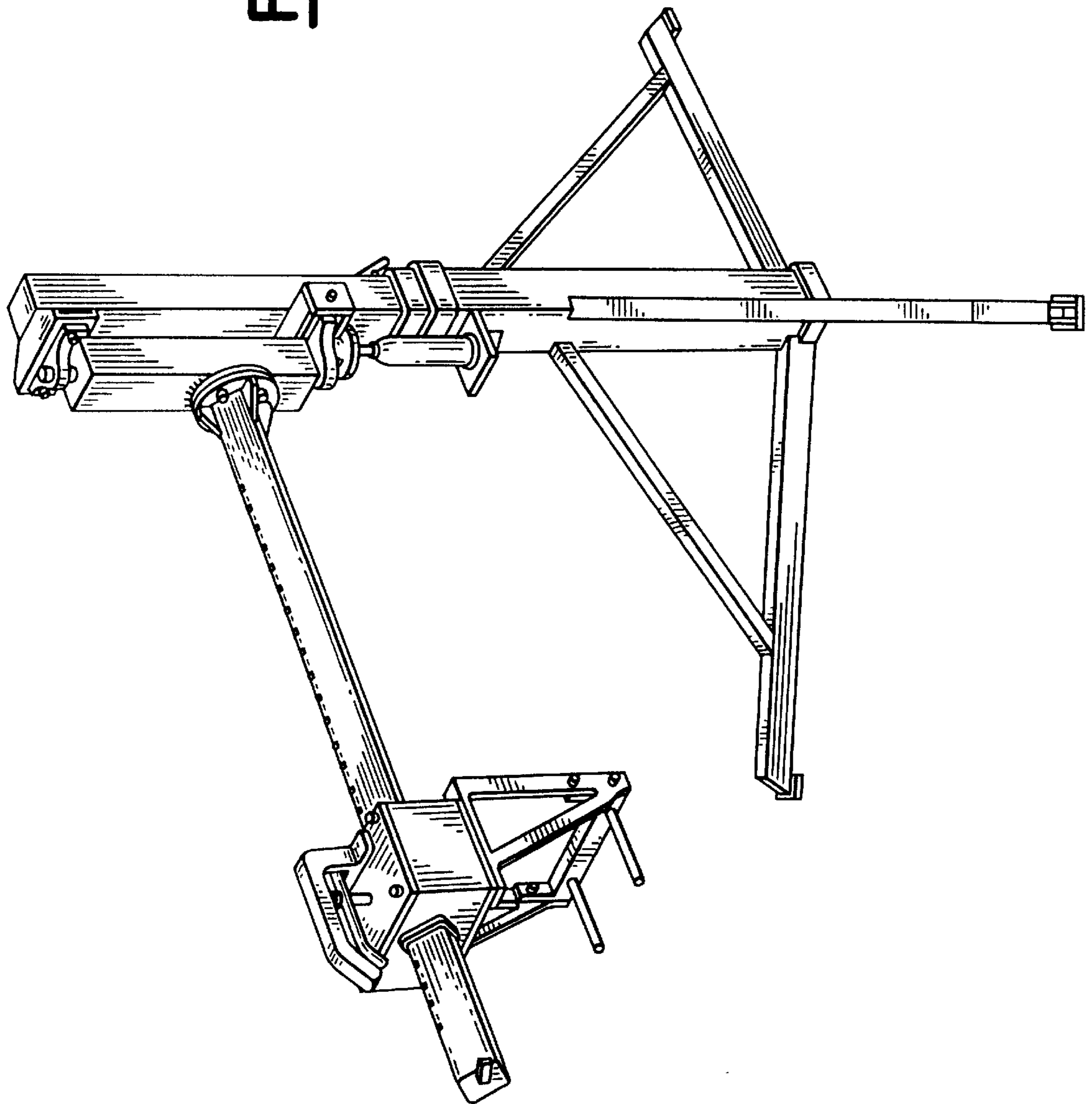


FIG. 1



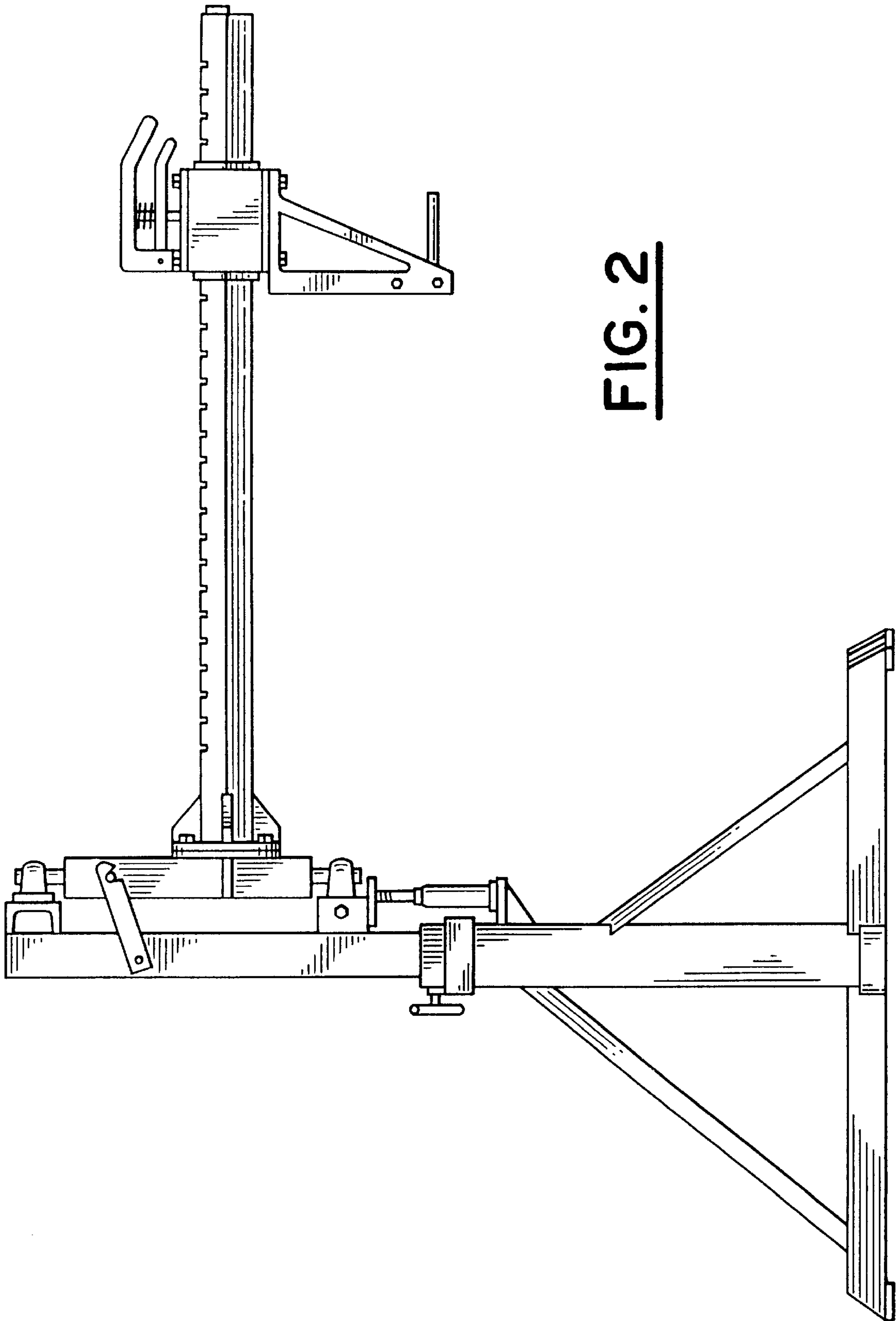


FIG. 2

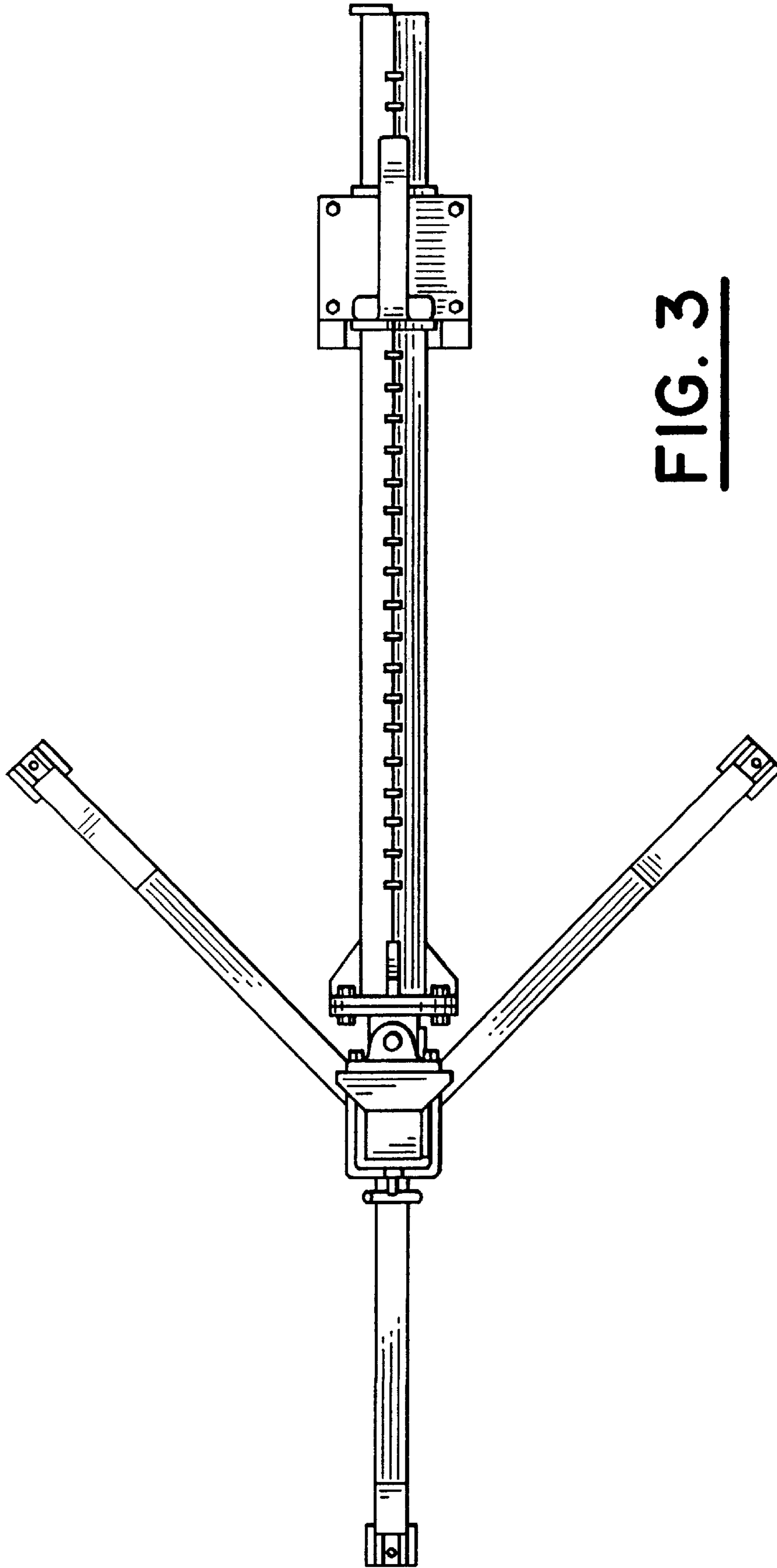


FIG. 3

FIG. 4

