



US00D423750S

United States Patent [19] Hung

[11] Patent Number: **Des. 423,750**

[45] Date of Patent: **** Apr. 25, 2000**

[54] **JACK**
[75] Inventor: **Michael Hung**, Lu Chu Hsiang, Taiwan
[73] Assignee: **MVP (H.K.) Industries Limited**, North Point, The Hong Kong Special Administrative Region of the People's Republic of China

[**] Term: **14 Years**

[21] Appl. No.: **29/106,869**

[22] Filed: **Jun. 24, 1999**

[51] **LOC (6) Cl.** **12-05**

[52] **U.S. Cl.** **D34/31**

[58] **Field of Search** D34/31; 254/8 B, 254/84.11, 93 H, 2 B, DIG. 3

[56] **References Cited**

U.S. PATENT DOCUMENTS

D. 109,498	5/1938	Pfauser	D34/31
D. 109,499	5/1938	Pfauser	D34/31
D. 162,547	3/1951	Johnsen	D34/31
D. 253,696	12/1979	Suzuki	D34/31
D. 272,670	2/1984	Tsujimura	D34/31
D. 285,138	8/1986	Yamagushi	D34/31
D. 285,855	9/1986	Person	D34/31
D. 358,923	5/1995	Hawkins	D34/31
D. 364,026	11/1995	Hung	D34/31

D. 398,730	9/1998	Lin	D34/31
D. 416,370	11/1999	Hung	D34/31
2,610,025	9/1952	Mueller	D34/31 X
4,018,421	4/1977	Tallman	254/2 B
4,277,048	7/1981	Okuda	254/8 B
4,635,902	1/1987	Chou	254/8 B
4,765,593	8/1988	Hung	254/8 B
5,201,494	4/1993	Lundman	254/8 B
5,221,073	6/1993	Shockley	254/8 B
5,431,369	7/1995	Hung	254/8 B
5,551,668	9/1996	Hung	254/8 B
5,588,639	12/1996	Holman	254/8 B X

Primary Examiner—Susan J. Lucas
Assistant Examiner—Cynthia E. Ramirez
Attorney, Agent, or Firm—Bacon & Thomas, PLLC

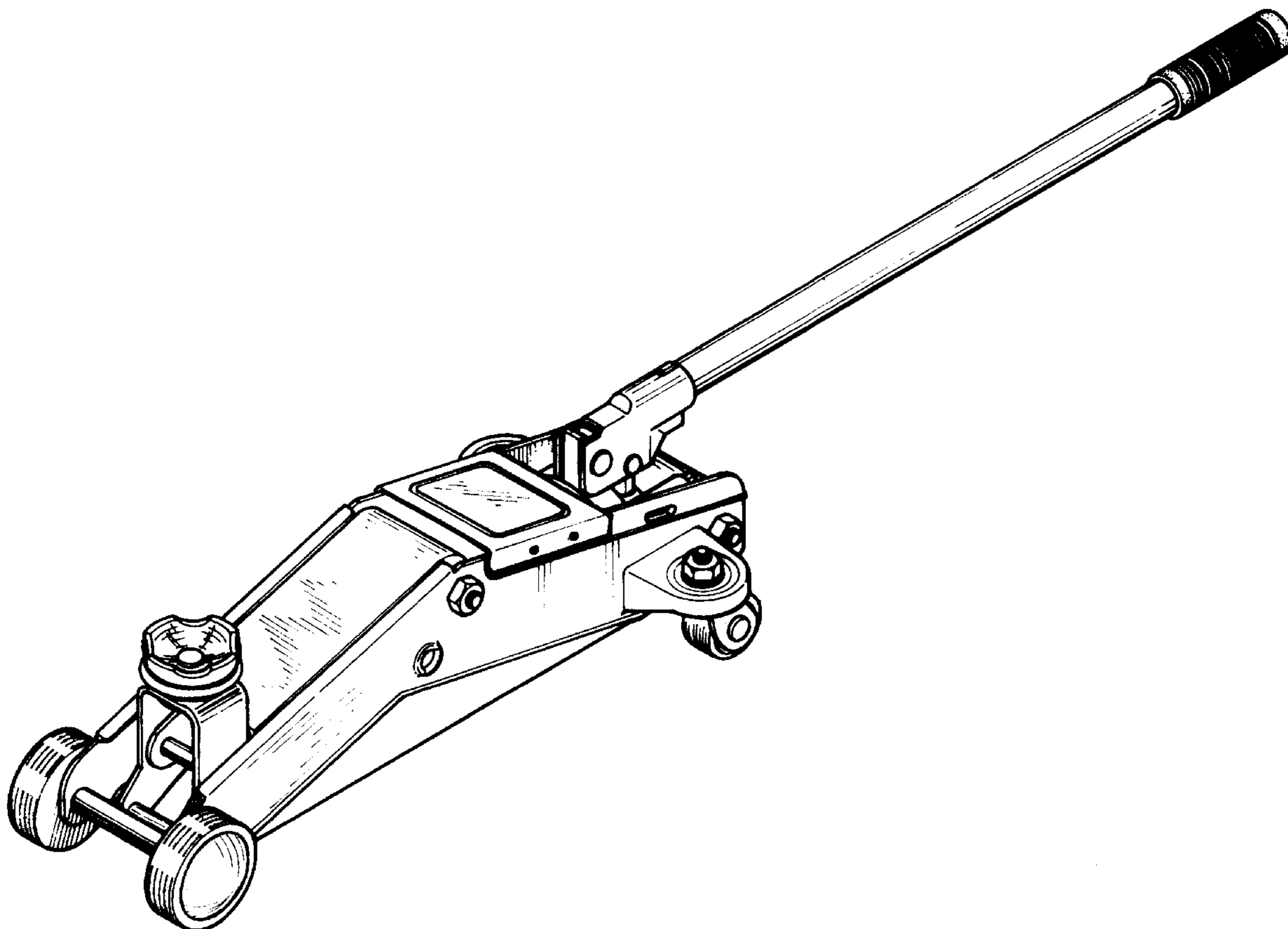
[57] **CLAIM**

The ornamental design for a jack, as shown and described.

DESCRIPTION

FIG. 1 is a left side perspective view of a jack, showing my new design;
FIG. 2 is a front view thereof;
FIG. 3 is a rear view thereof;
FIG. 4 is a left side view thereof;
FIG. 5 is a right side view thereof;
FIG. 6 is a top view thereof; and,
FIG. 7 is a bottom view thereof.

1 Claim, 4 Drawing Sheets



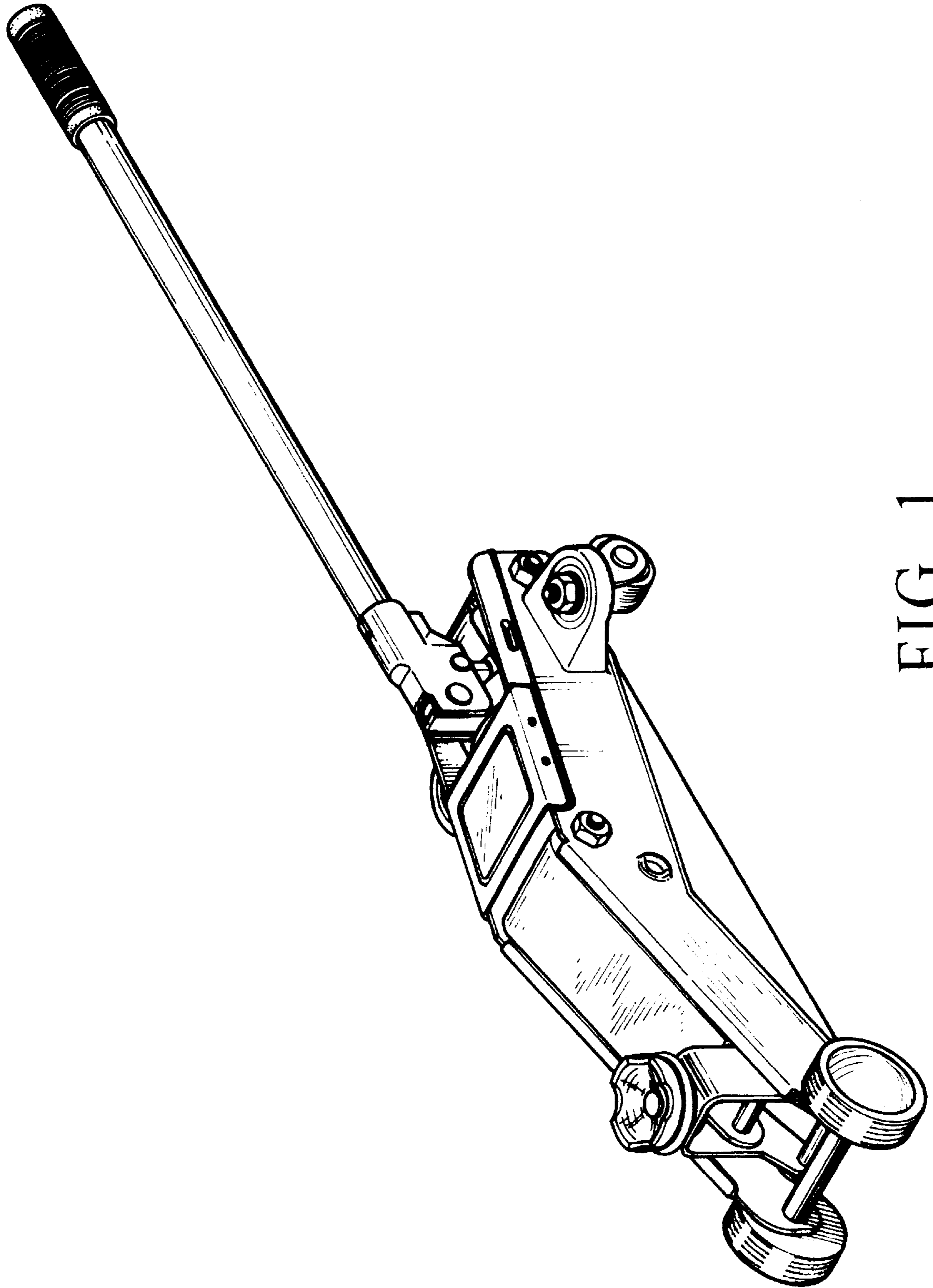


FIG. 1

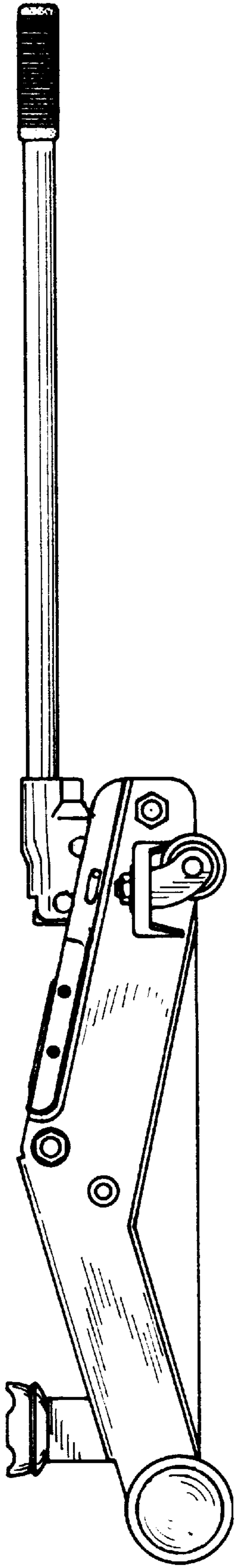


FIG. 2

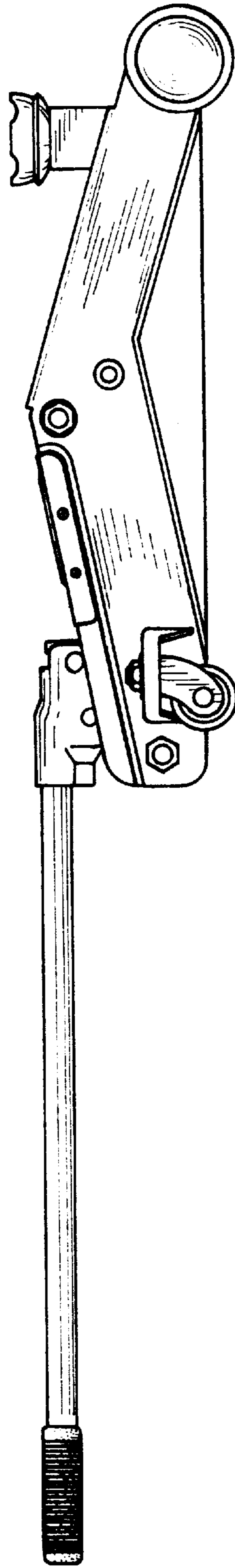


FIG. 3

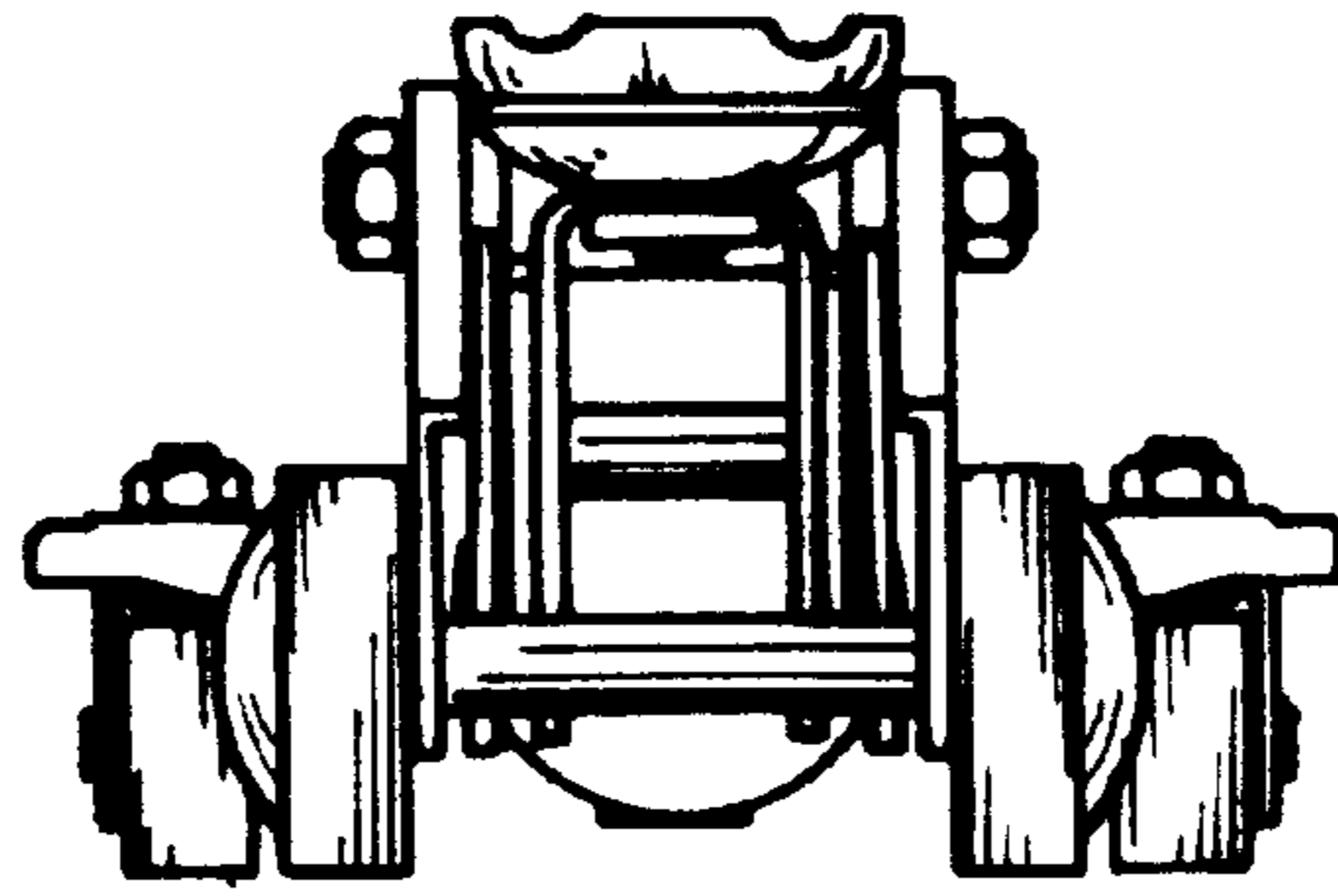


FIG. 4

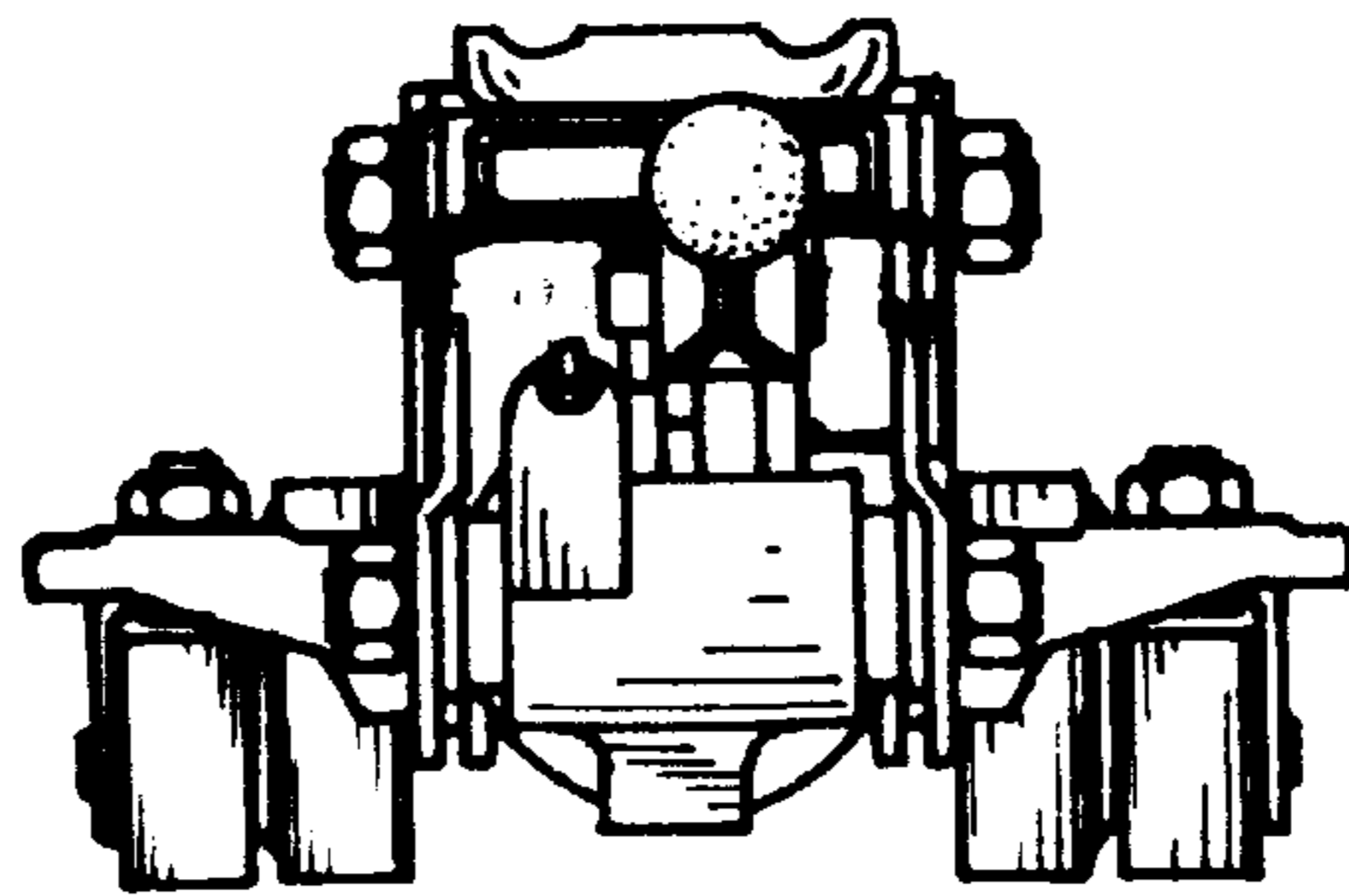


FIG. 5

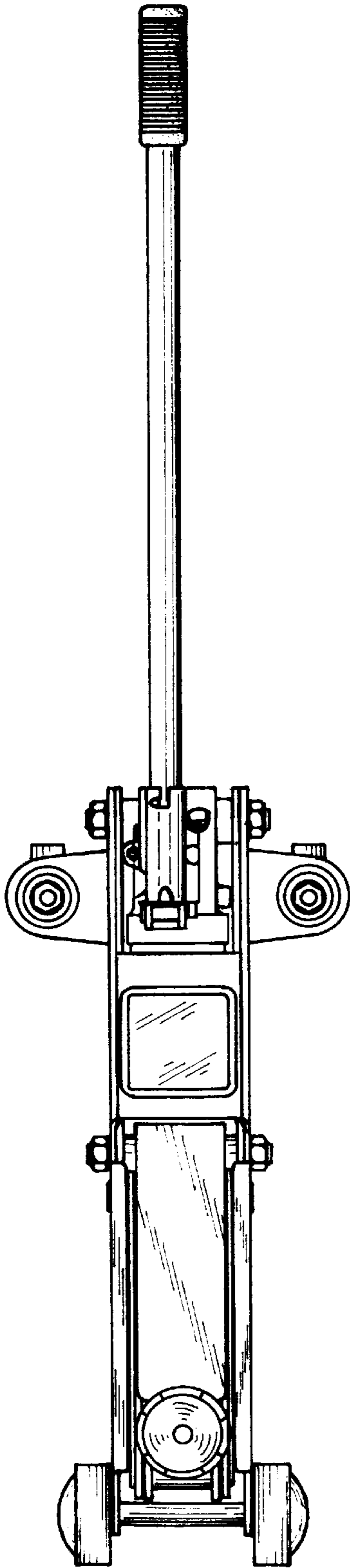


FIG. 6

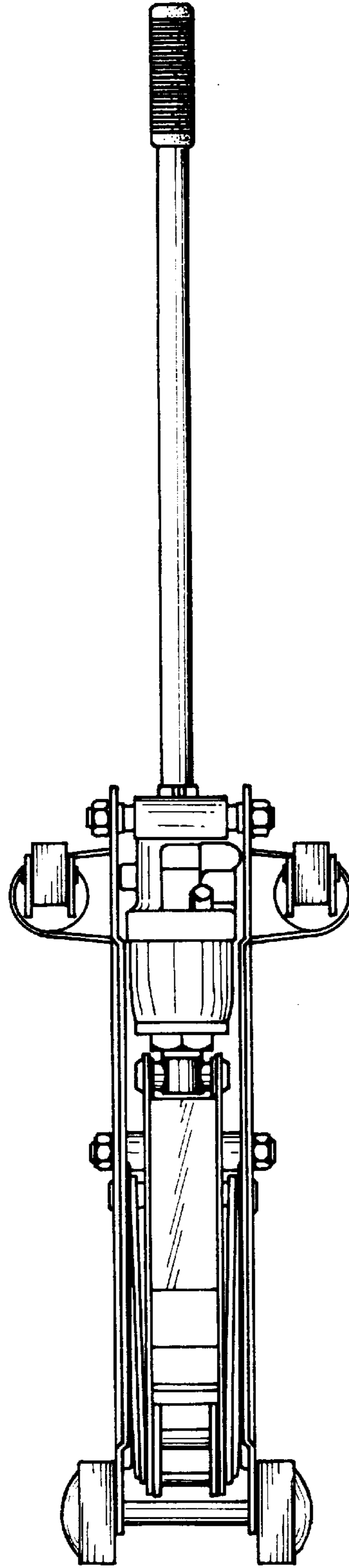


FIG. 7