



US00D423749S

United States Patent [19]

[11] Patent Number: Des. 423,749

Musil et al.

[45] Date of Patent: ** Apr. 25, 2000

[54] **CONVEYOR BELT FASTENER**

Attorney, Agent, or Firm—Fitch, Even, Tabin & Flannery

[75] Inventors: **Edward C. Musil**, Orland Park; **John H. Winkelman**; **Joseph C. Vogrig**, both of Naperville, all of Ill.

[57] **CLAIM**

We claim the ornamental design for a conveyor belt fastener, as shown and described.

[73] Assignee: **Flexible Steel Lacing Company**, Downers Grove, Ill.

DESCRIPTION

[**] Term: **14 Years**

[21] Appl. No.: **29/093,655**

[22] Filed: **Sep. 14, 1998**

[51] **LOC (6) Cl.** **12-05**

[52] **U.S. Cl.** **D34/29**

[58] **Field of Search** D34/28, 29, 35; 104/172.1, 172.3, 162; 198/732, 844.2, 733; 474/253, 255, 256; 24/33 B, 33 C, 33 P, 33 F, 33 R

FIG. 1 is a perspective view of a conveyor belt fastener according to our new design;

FIG. 2 is a top plan view of the conveyor belt fastener of FIG. 1;

FIG. 3 is a bottom plan view of the conveyor belt fastener of FIG. 1;

FIG. 4 is a left side elevational view of the conveyor belt fastener of FIG. 1;

FIG. 5 is a right side elevational view of the conveyor belt fastener of FIG. 1;

FIG. 6 is a front elevational view of the conveyor belt fastener of FIG. 1;

FIG. 7 is a rear elevational view of the conveyor belt fastener of FIG. 1;

FIG. 8 is a cross-sectional view of the conveyor belt fastener of FIG. 1 taken along line 8—8 of FIG. 2;

FIG. 9 is a cross-sectional view of the conveyor belt fastener of FIG. 1 taken along line 9—9 of FIG. 3; and,

FIG. 10 is a perspective view of the conveyor belt fastener of FIG. 1 in solid lines attached together in a strip of like fasteners as shown in broken lines.

The broken line showing of the fastener's strip in FIG. 10 is for illustrative purposes only and forms no part of the claimed design.

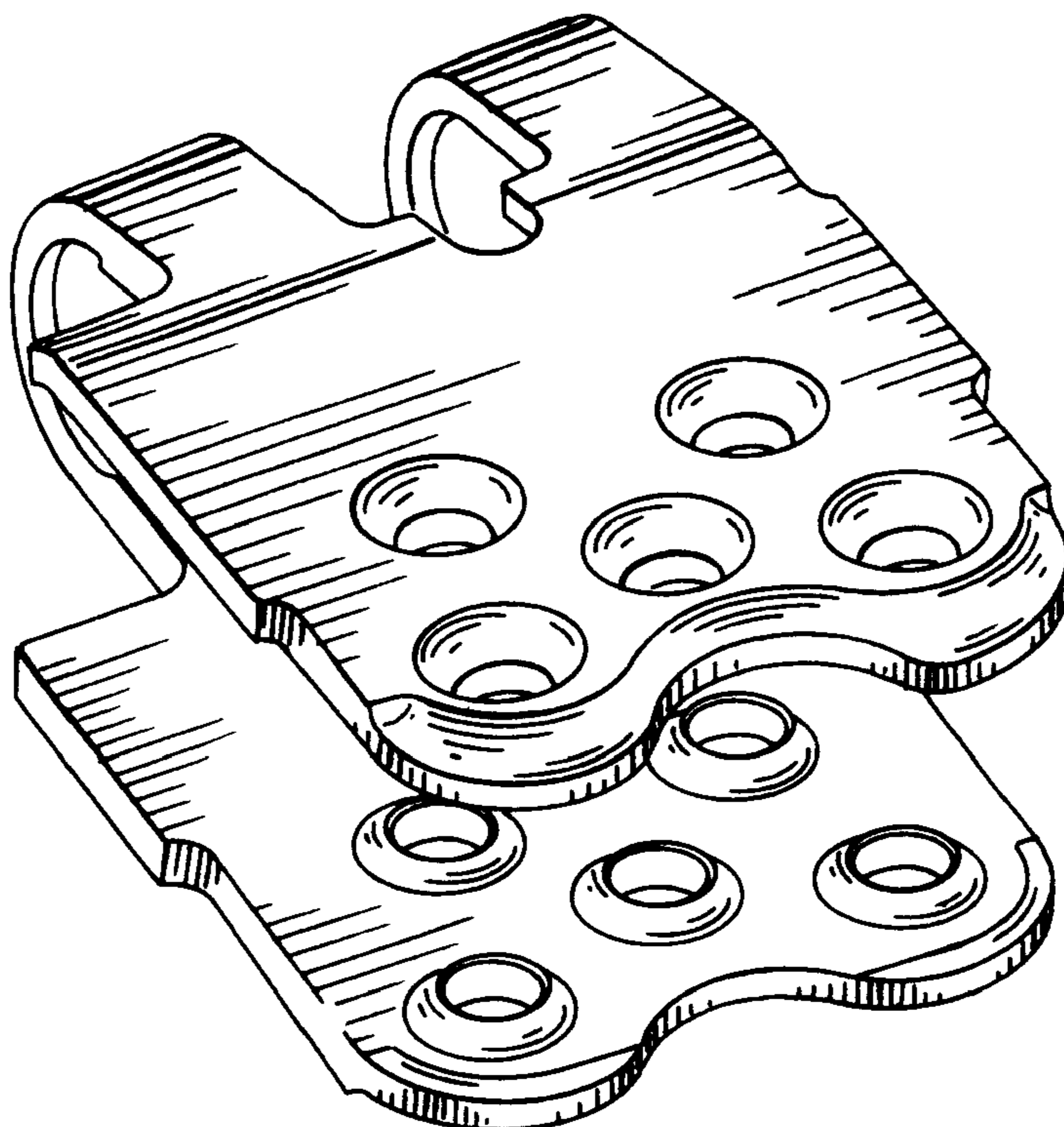
[56] **References Cited**

U.S. PATENT DOCUMENTS

3,327,358	6/1967	Schick	24/33 B
3,742,557	7/1973	Francois	24/33 B
4,653,156	3/1987	Stolz et al.	24/33 B
4,858,280	8/1989	Schick	24/33 B
4,937,921	7/1990	Musil	24/33 C
5,348,143	9/1994	Musil et al.	474/255
5,539,959	7/1996	Schick	24/33 B
5,638,582	6/1997	Klatt et al.	24/33 P
5,669,115	9/1997	Sulzle	24/33 B

Primary Examiner—Susan J. Lucas
Assistant Examiner—Cynthia E. Ramirez

1 Claim, 2 Drawing Sheets



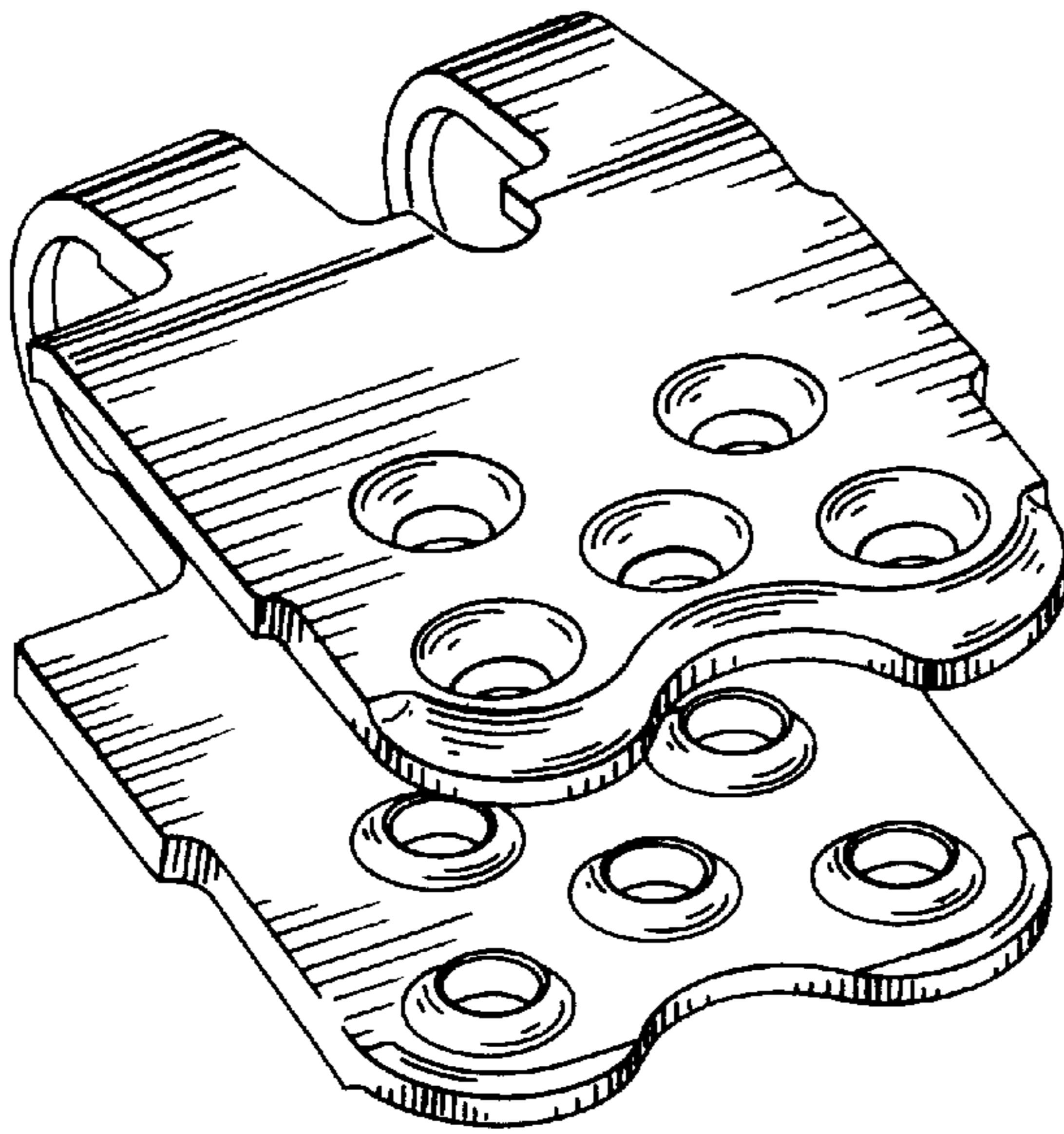


FIG. 1

FIG. 2

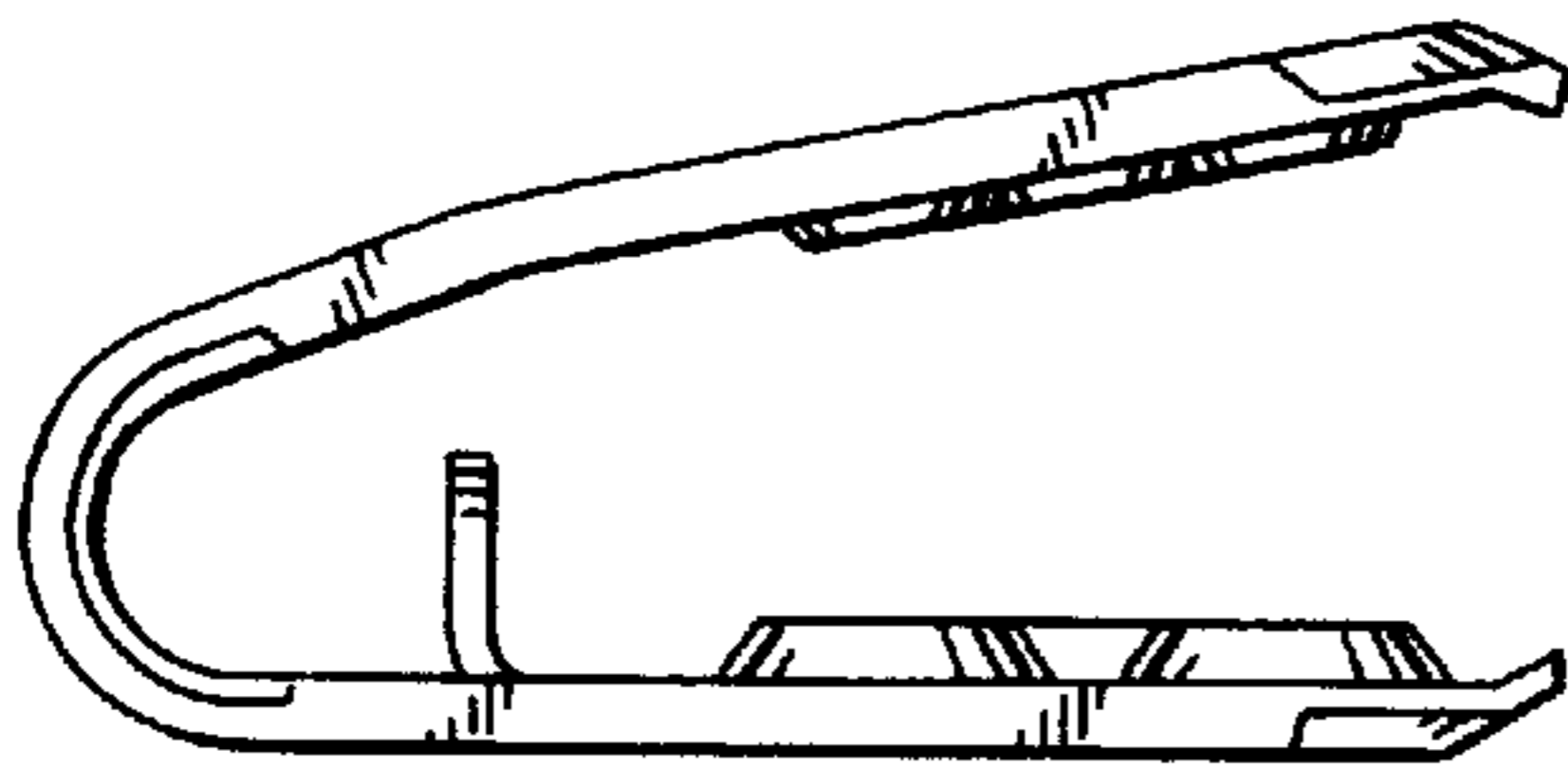
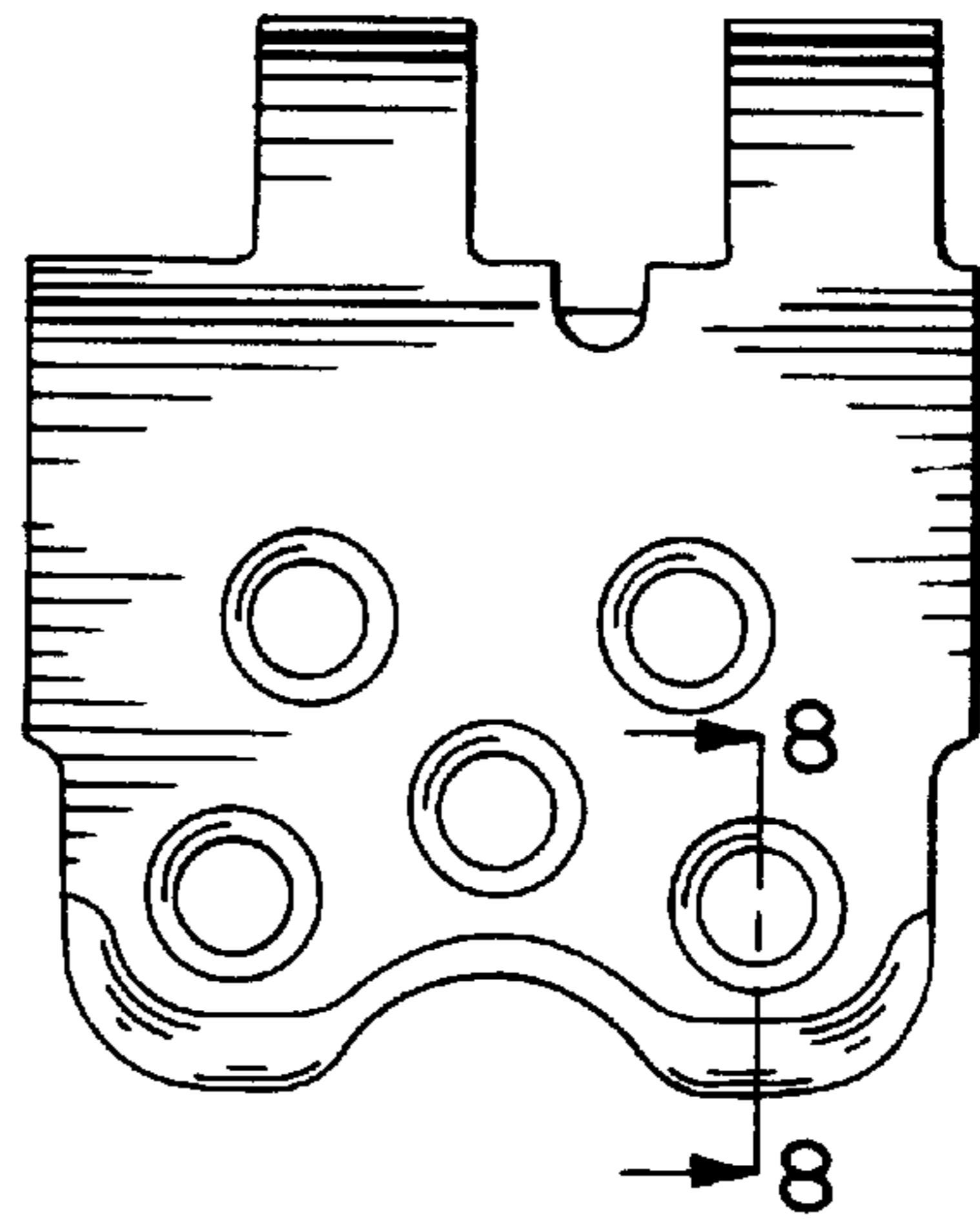


FIG. 4

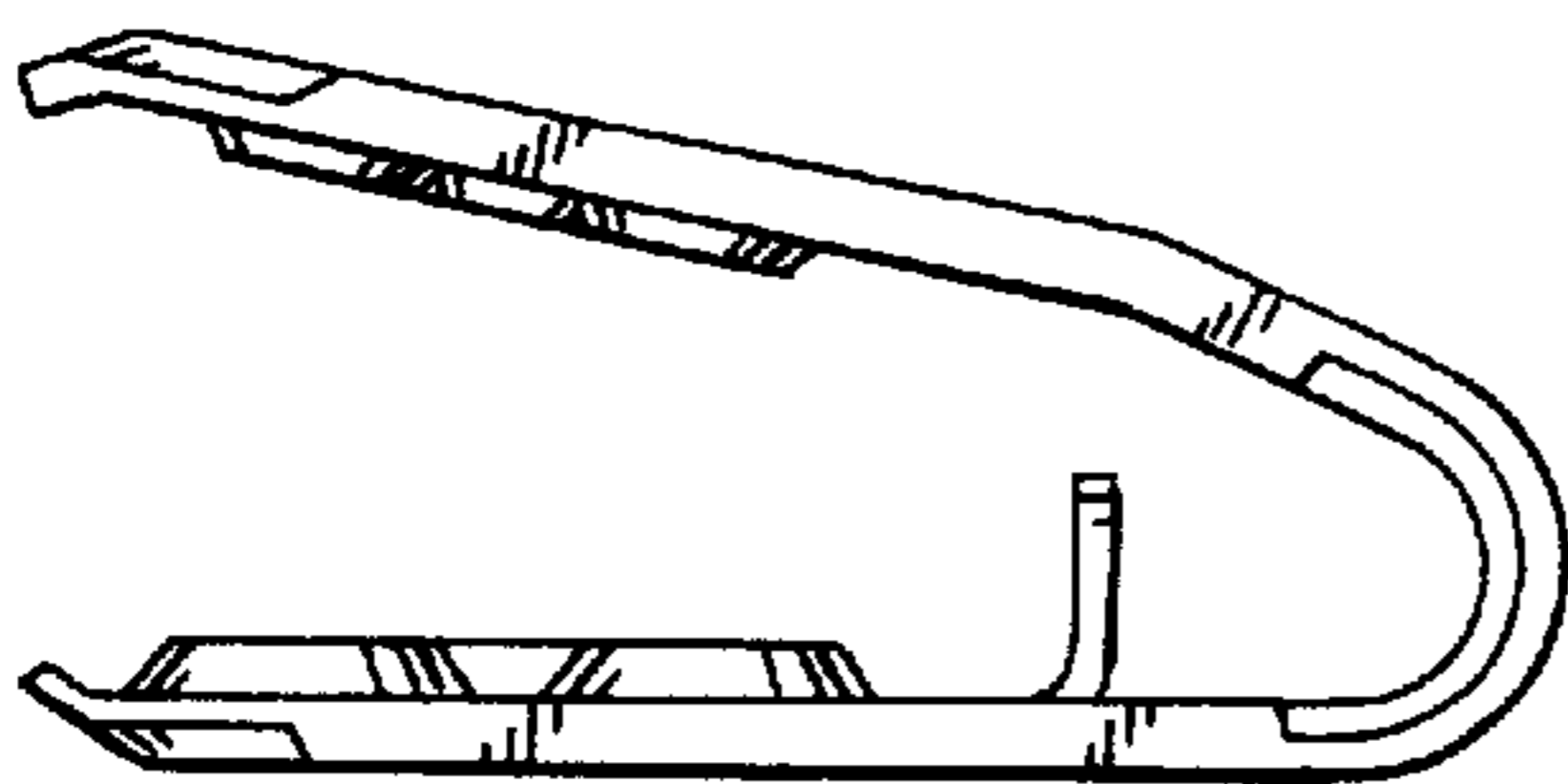


FIG. 5

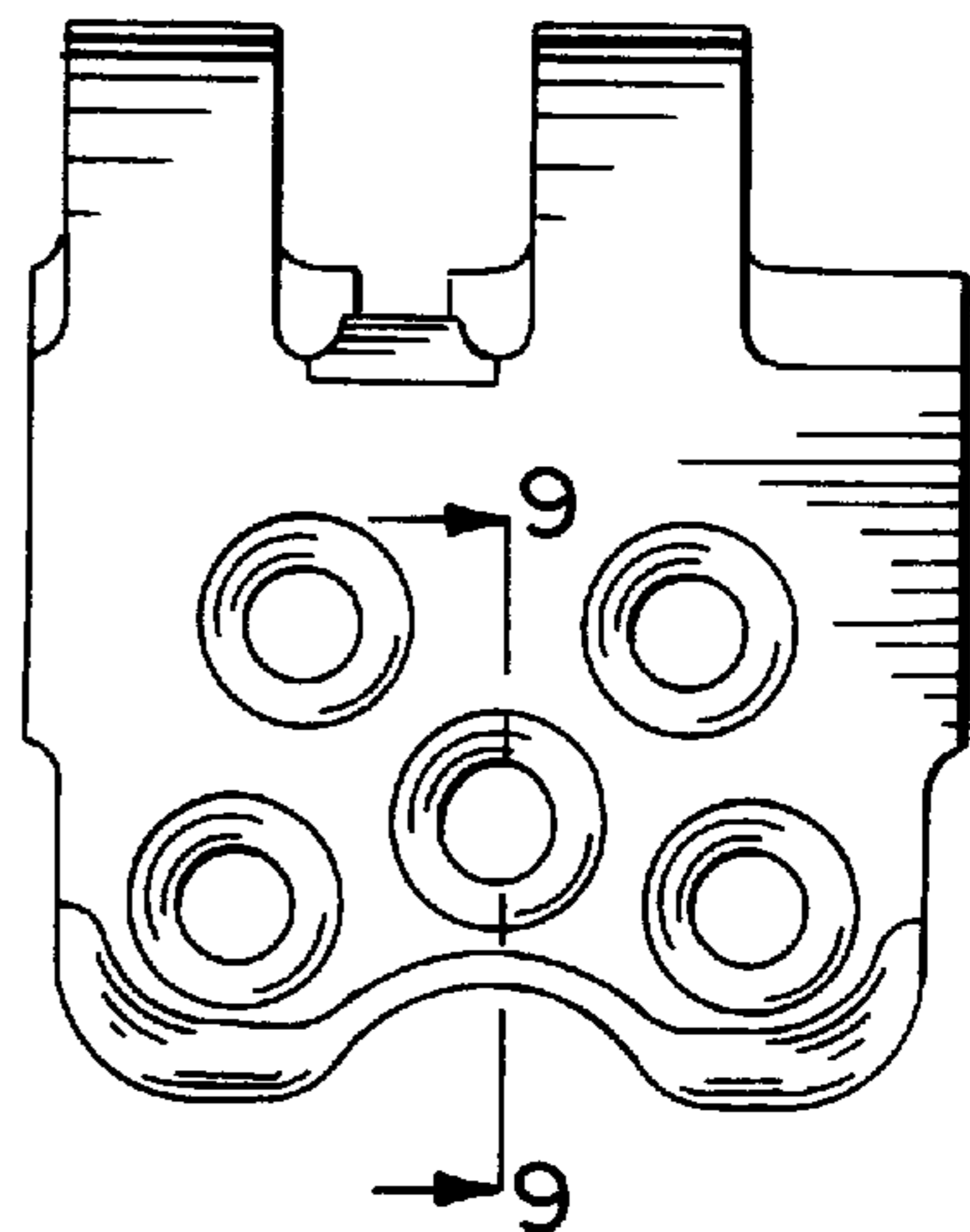


FIG. 3

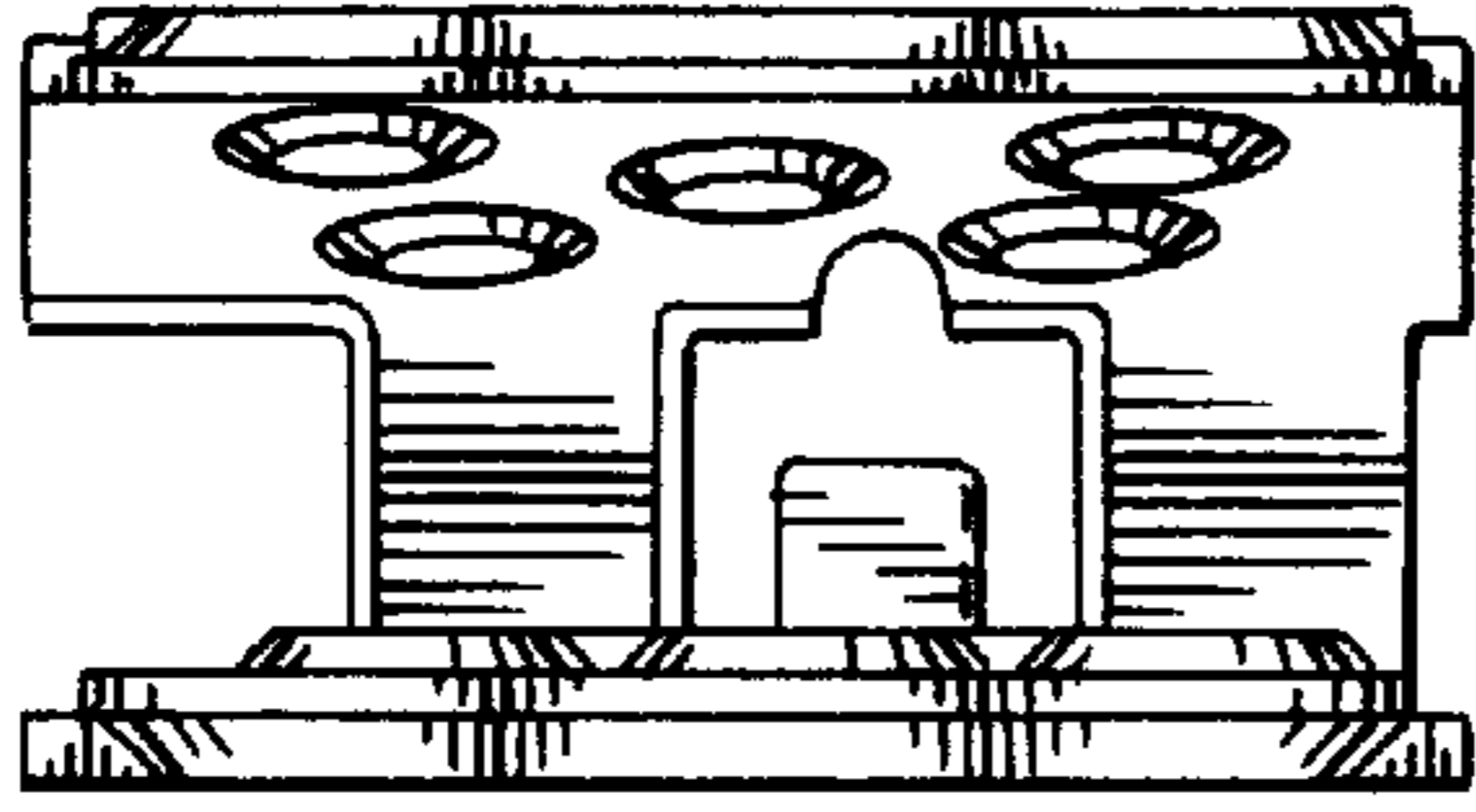


FIG. 6

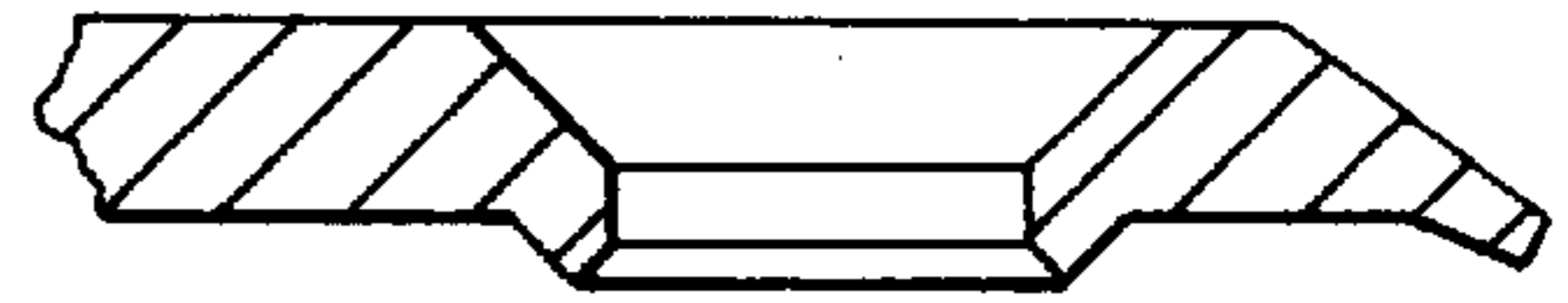


FIG. 8

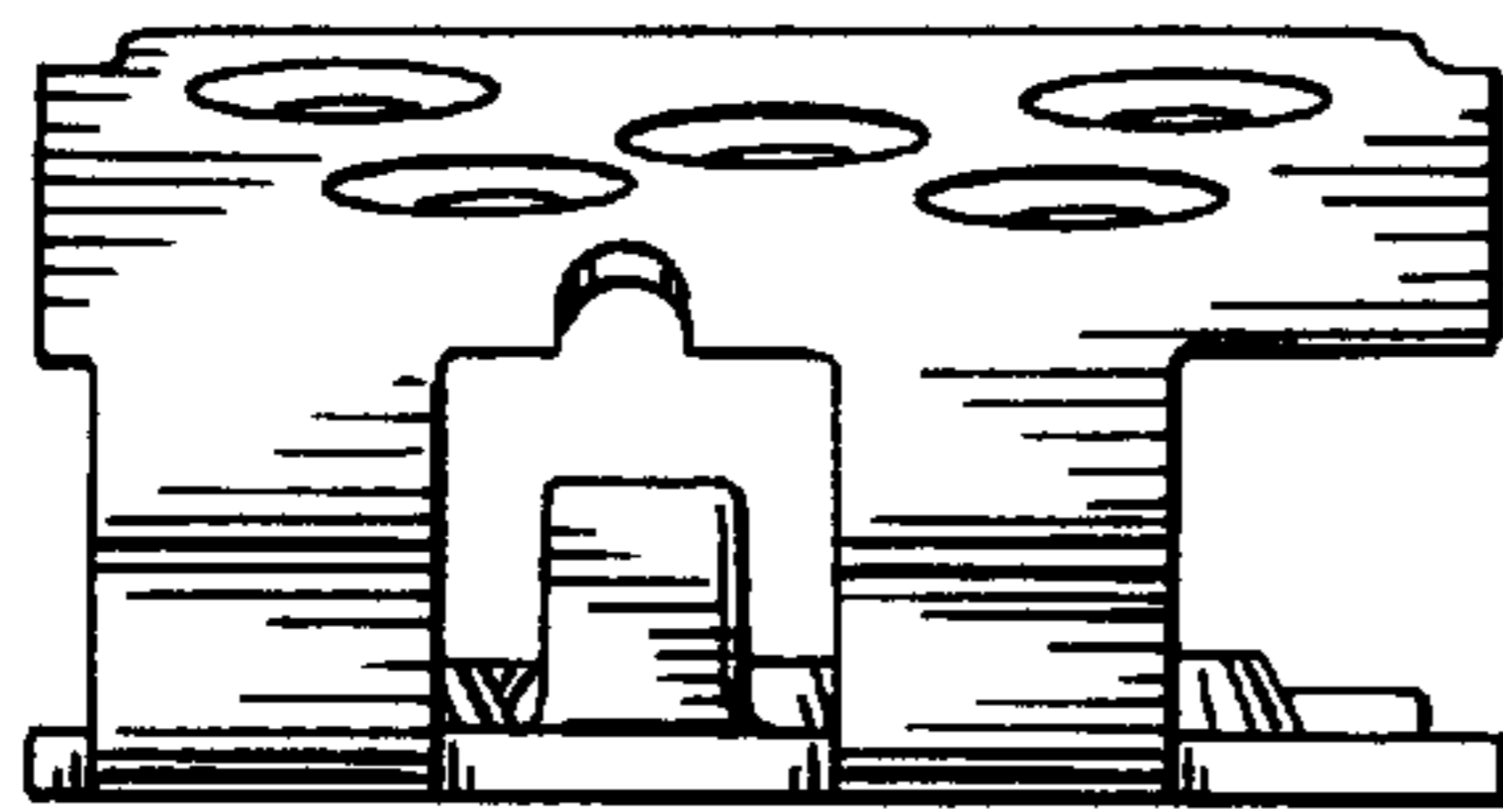


FIG. 7

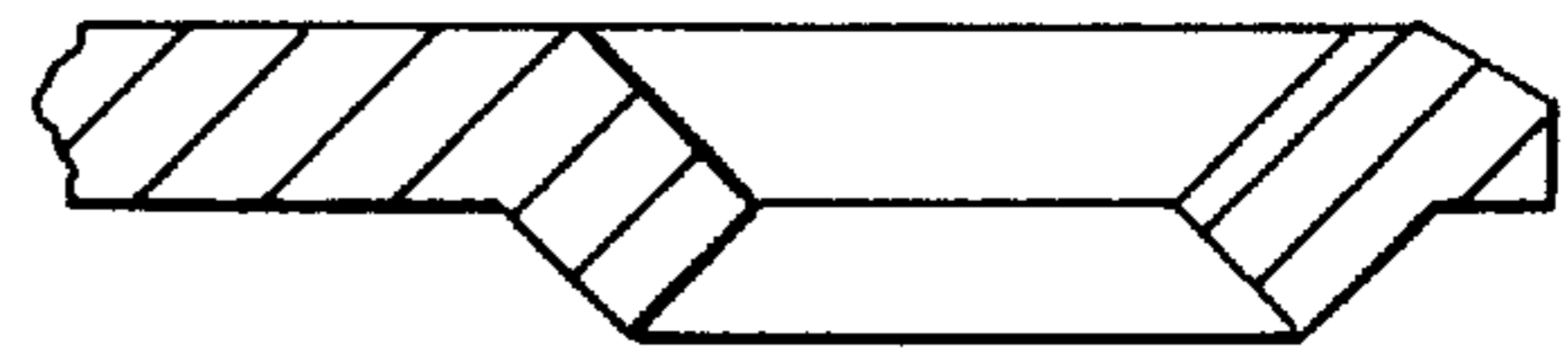


FIG. 9

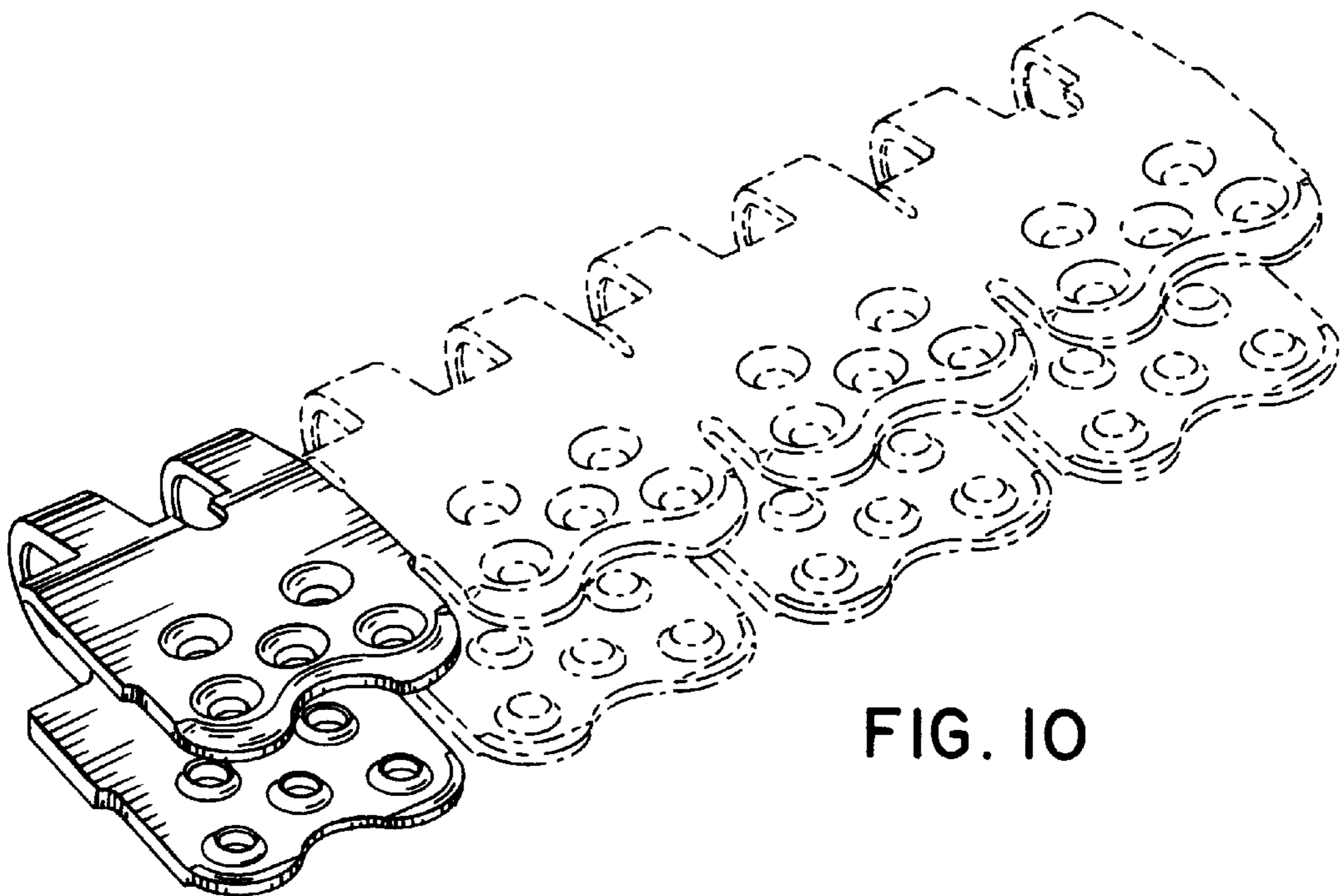


FIG. 10