



US00D423746S

# United States Patent [19] Liao

[11] **Patent Number: Des. 423,746**

[45] **Date of Patent: \*\* Apr. 25, 2000**

[54] **GOLF CART**

5,551,716 9/1996 Kordecki et al. .... 280/47.18

[75] Inventor: **Gordon Liao, Yung Kang, Taiwan**

*Primary Examiner*—Kay H. Chin  
*Attorney, Agent, or Firm*—Pro-Techtor International Services

[73] Assignee: **Unique Product & Design Co., Ltd., Tainan Hsien, Taiwan**

[\*\*] Term: **14 Years**

### [57] CLAIM

[21] Appl. No.: **29/105,497**

The ornamental design for a golf cart, as shown and described.

[22] Filed: **May 26, 1999**

### DESCRIPTION

[51] **LOC (6) Cl. .... 12-02**

FIG. 1 is a perspective view of a golf cart showing my new design;

[52] **U.S. Cl. .... D34/15**

FIG. 2 is a right side elevational view thereof;

[58] **Field of Search .... D34/12-27; 280/DIG. 5, 280/DIG. 6, 646, 652; 180/19.1; 248/96**

FIG. 3 is a top plan view thereof;

FIG. 4 is a front elevational view thereof;

FIG. 5 is a bottom plan view thereof;

FIG. 6 is a left elevational view thereof;

FIG. 7 is a rear elevational view thereof;

FIG. 8 is a perspective view thereof in the retracted condition; and,

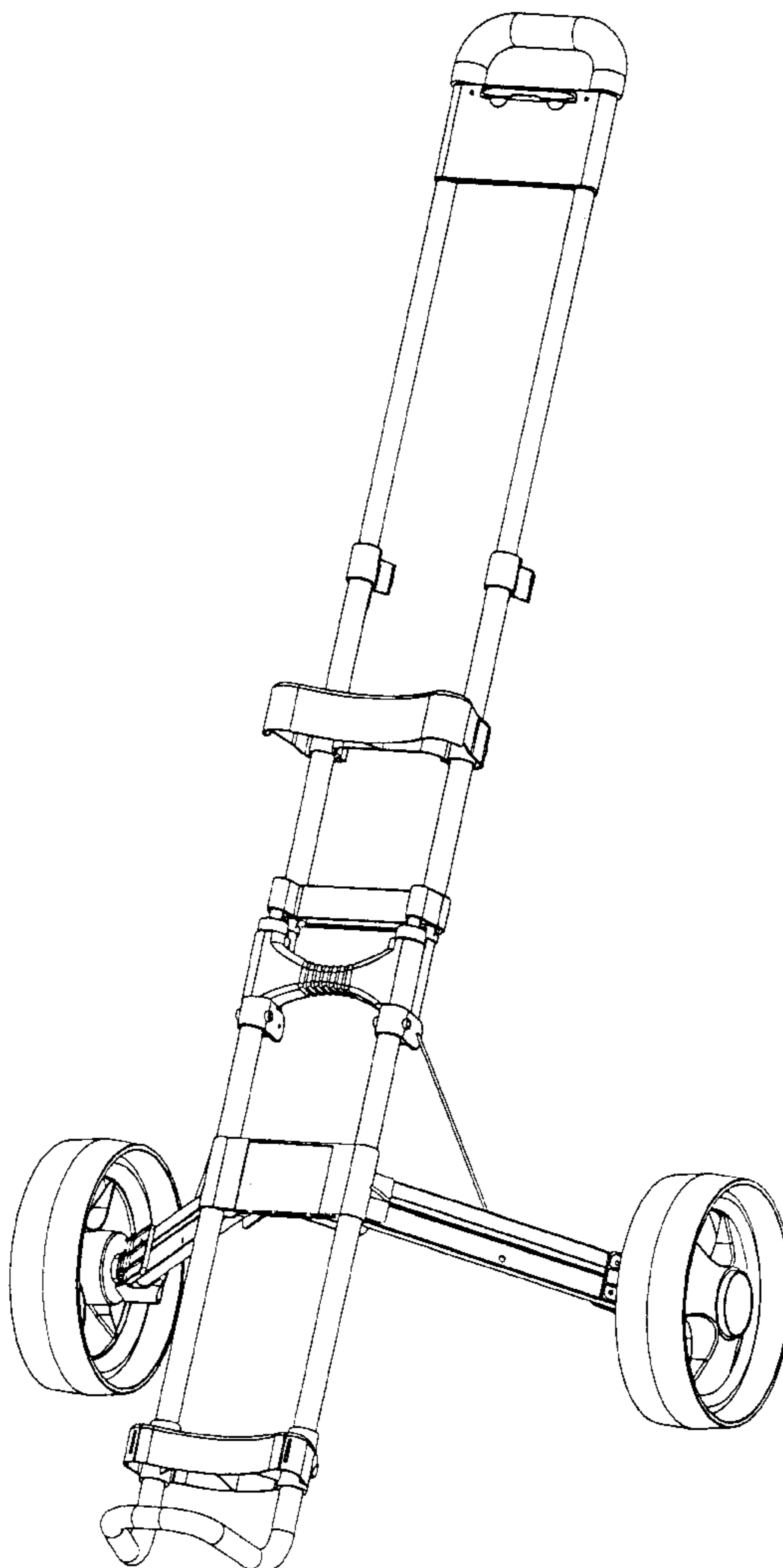
FIG. 9 is a perspective view thereof in its folded condition.

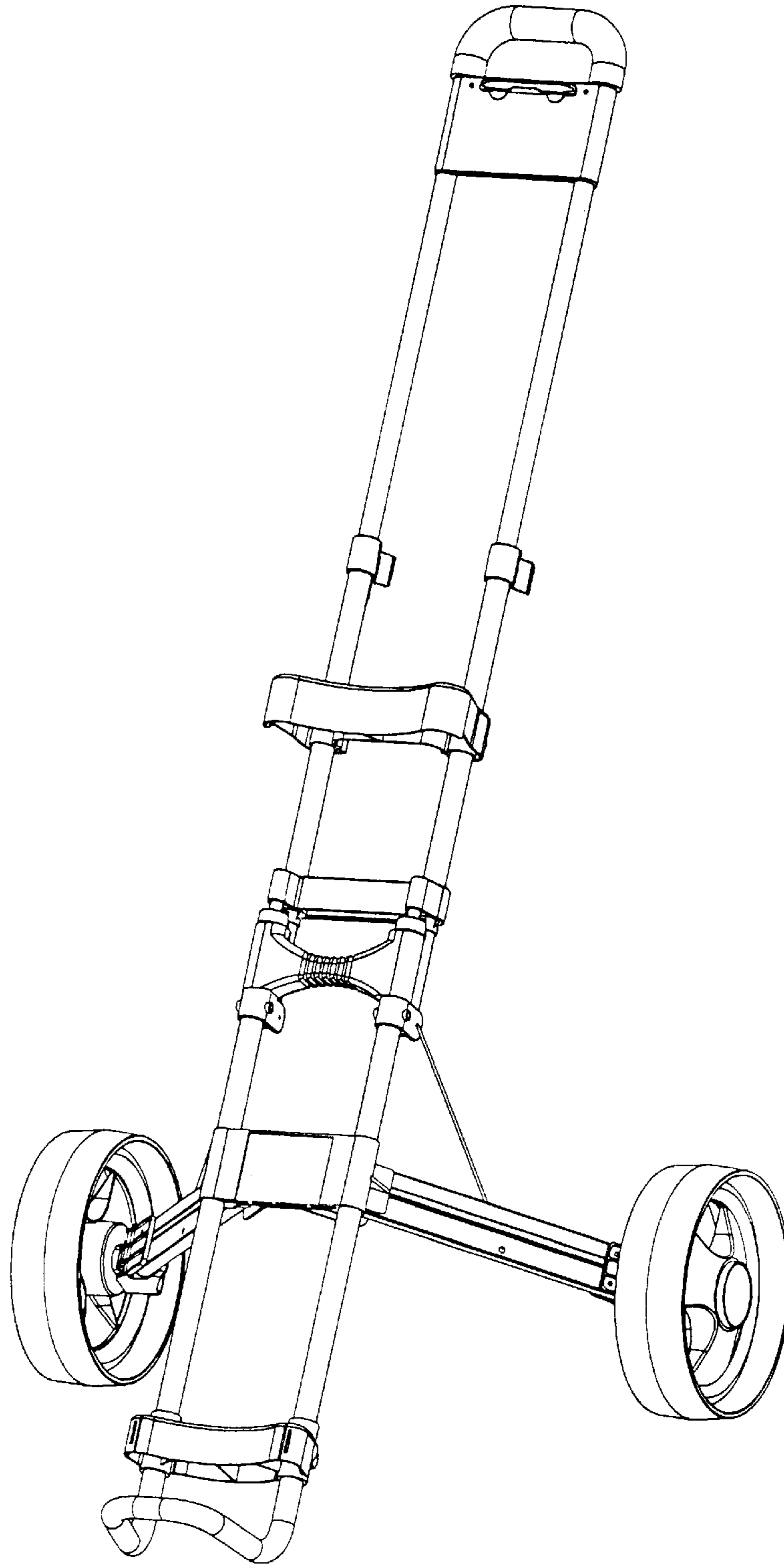
### [56] References Cited

#### U.S. PATENT DOCUMENTS

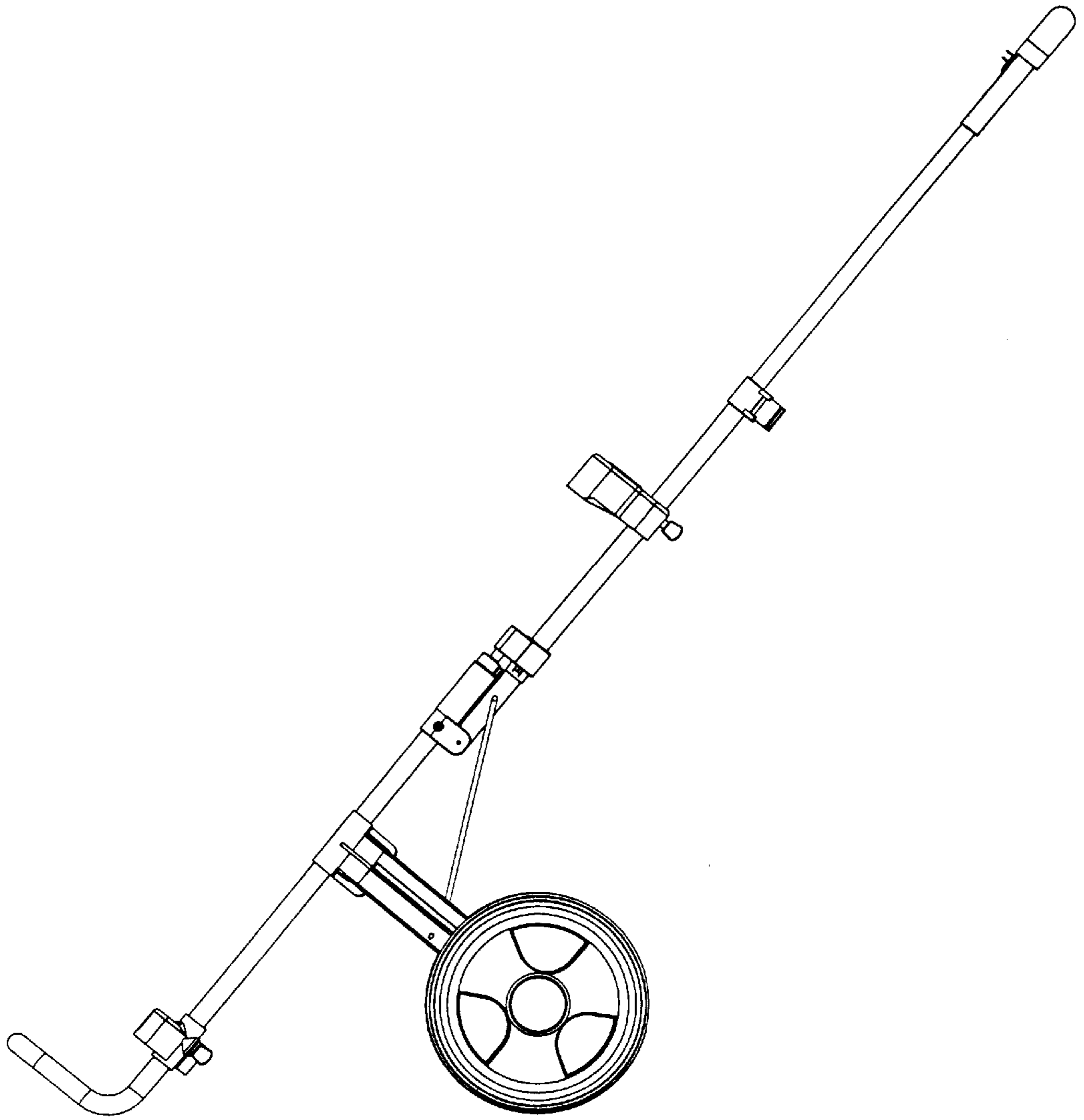
D. 319,327	8/1991	Sanders et al. ....	D34/15
D. 367,346	2/1996	Young ....	D34/15
D. 391,731	3/1998	Wu ....	D34/15
5,427,403	6/1995	Hsiao ....	28/646

**1 Claim, 9 Drawing Sheets**

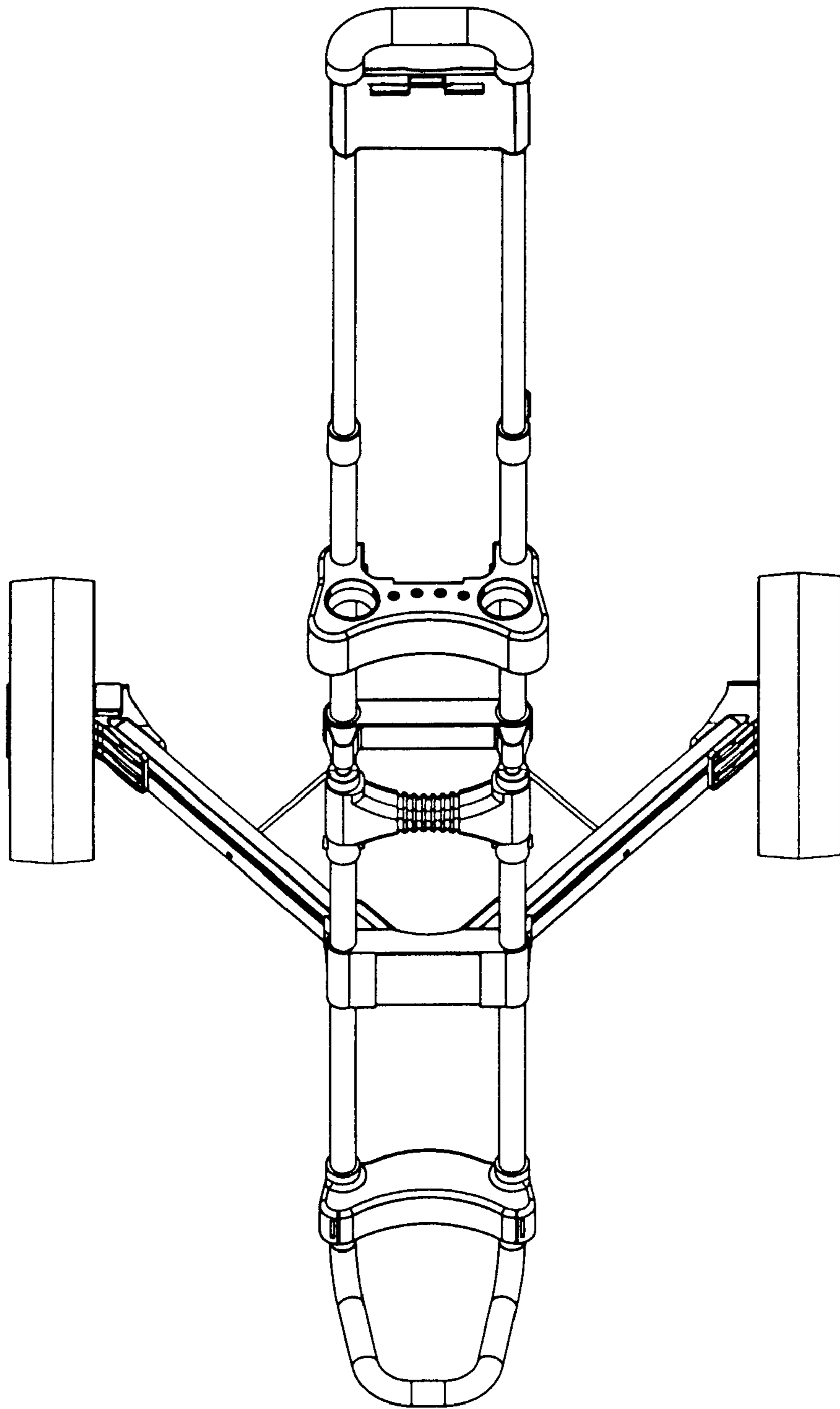




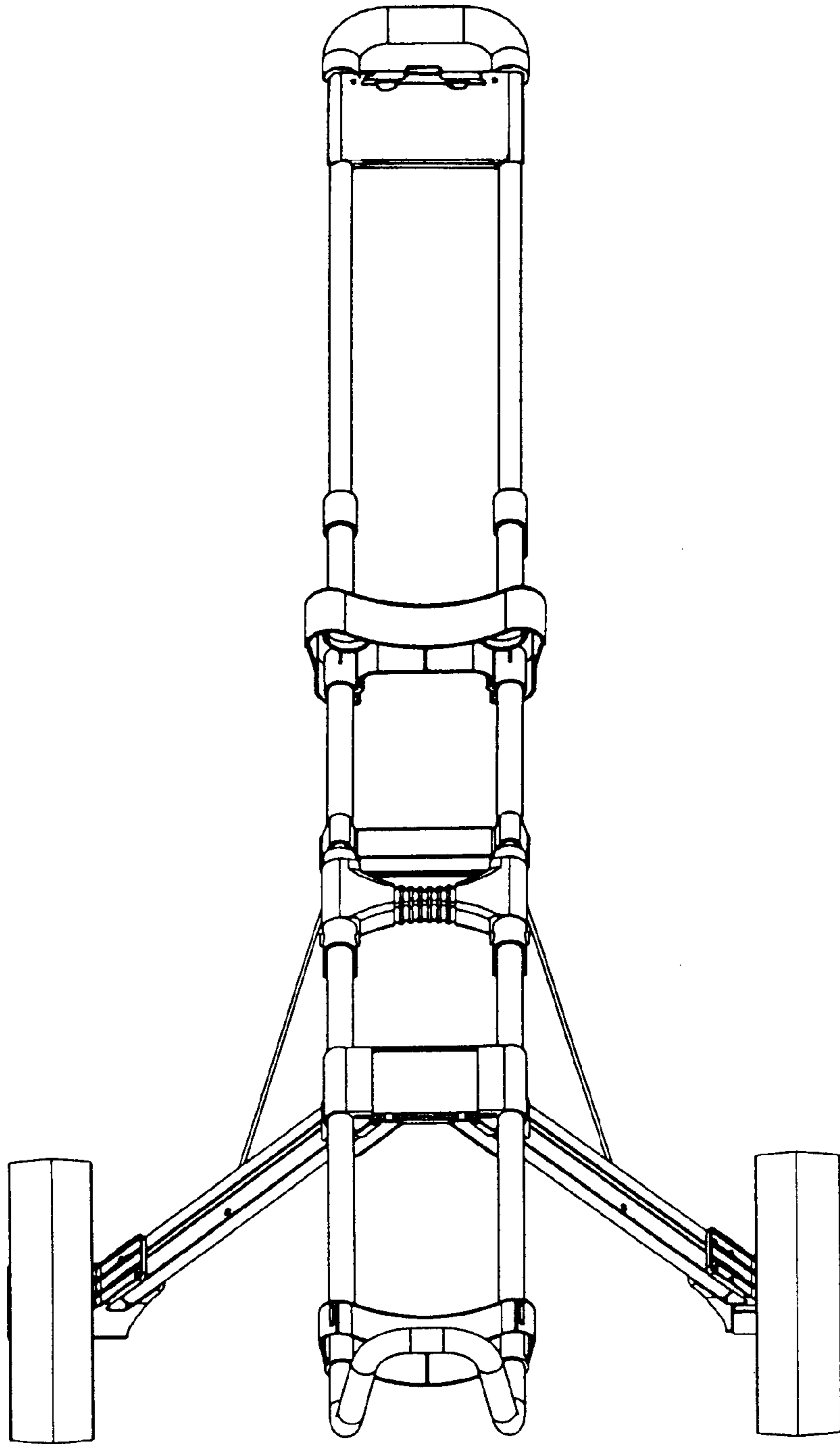
*FIG. 1*



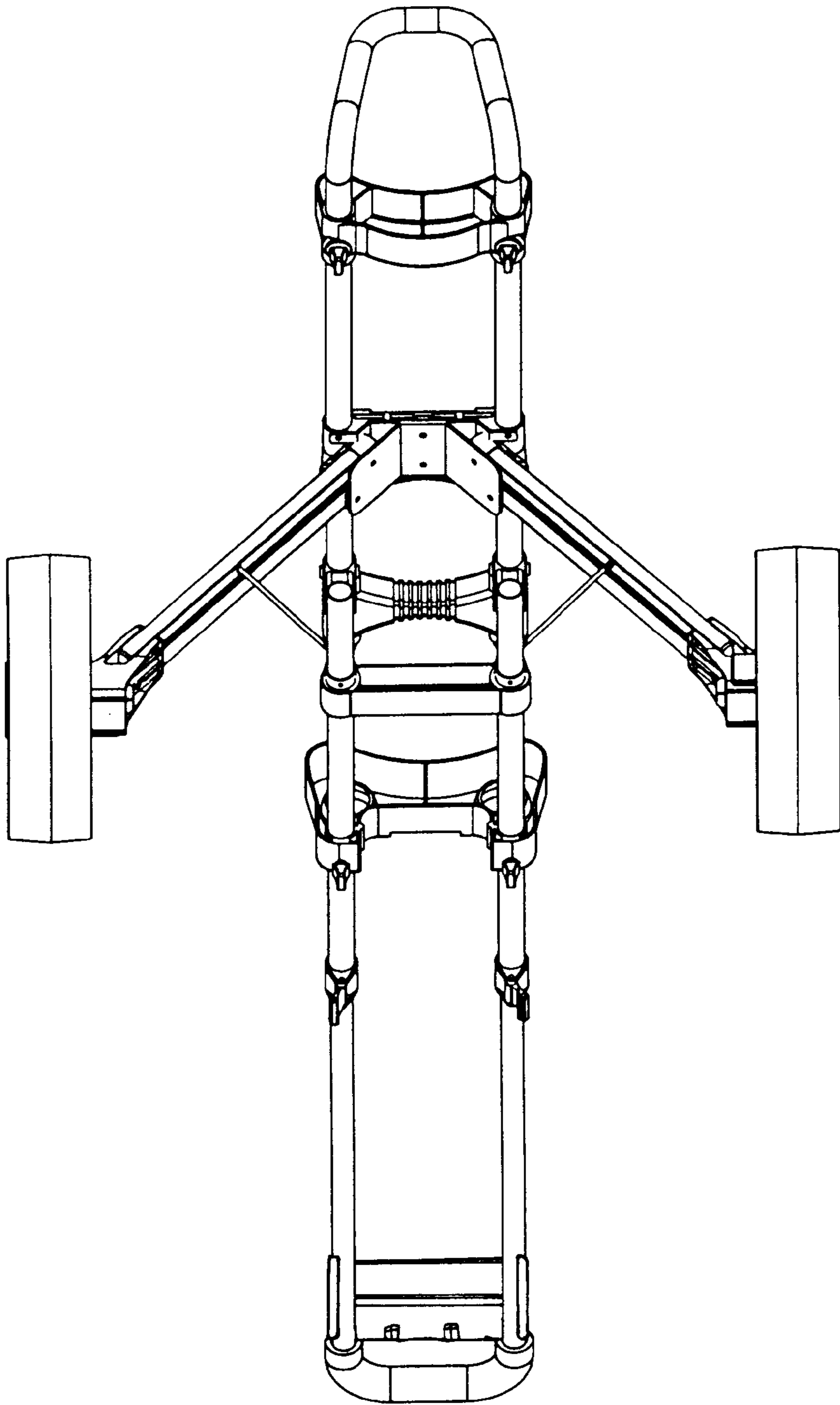
*FIG. 2*



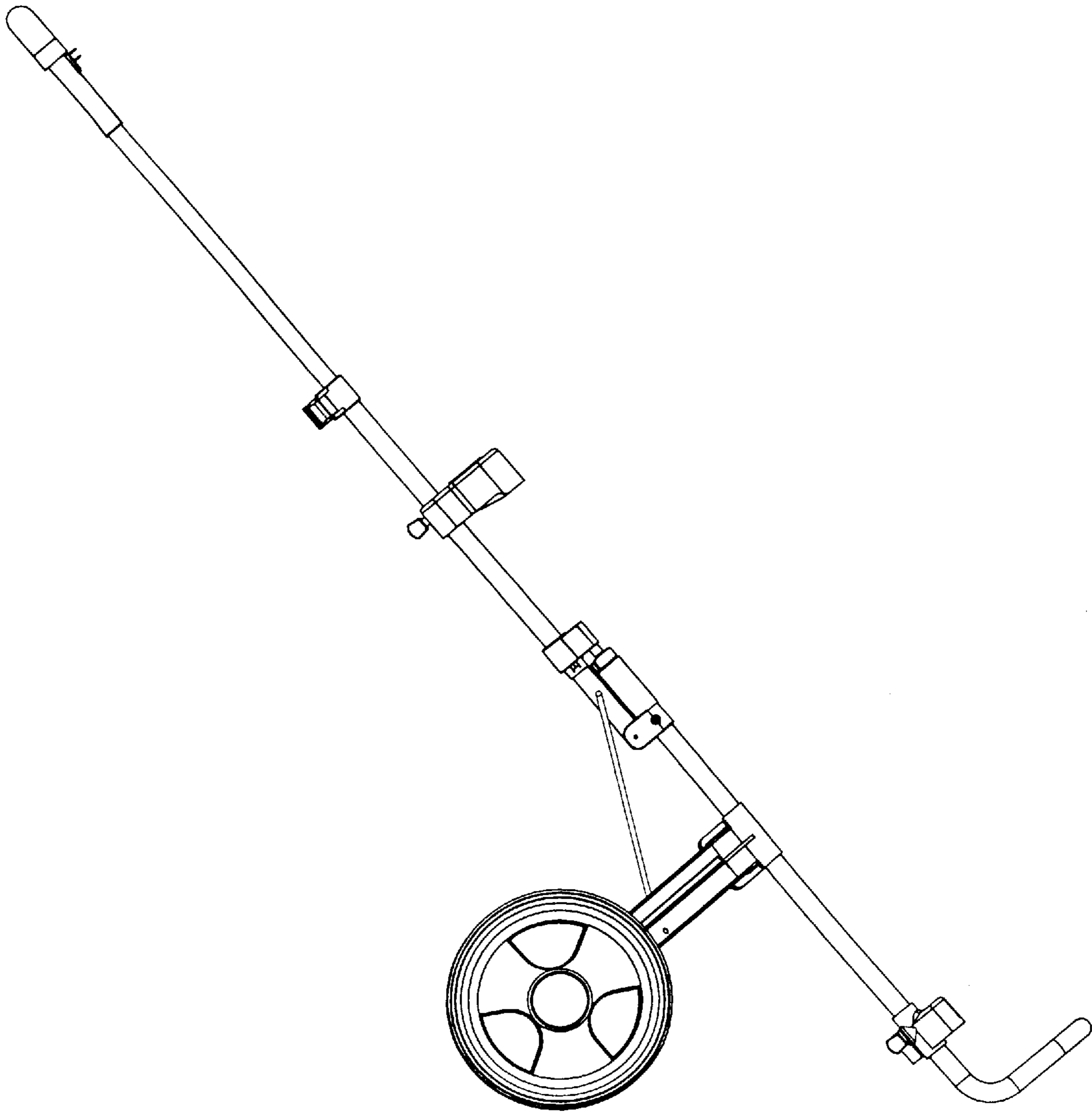
*FIG. 3*



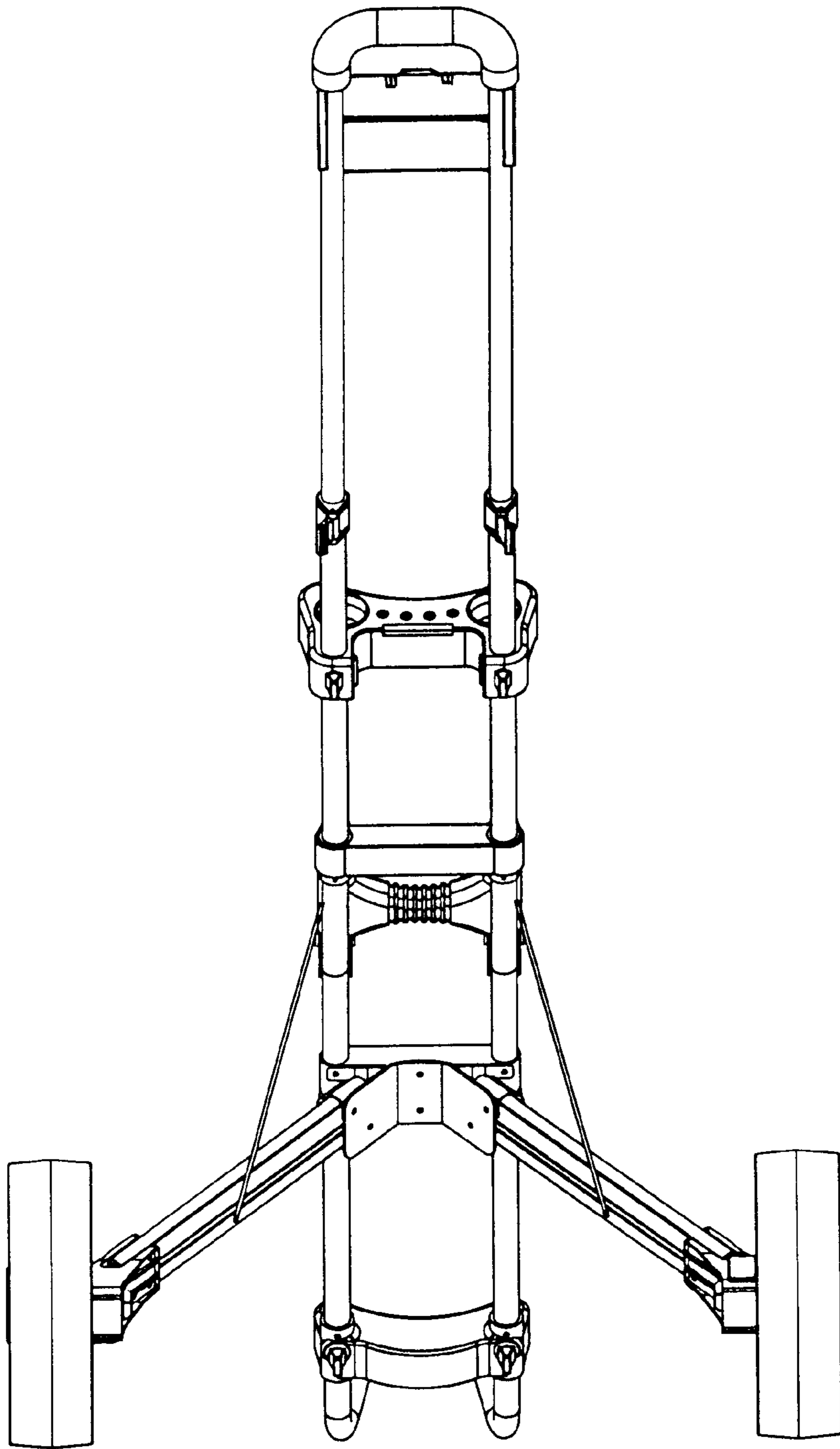
*FIG. 4*



*FIG. 5*

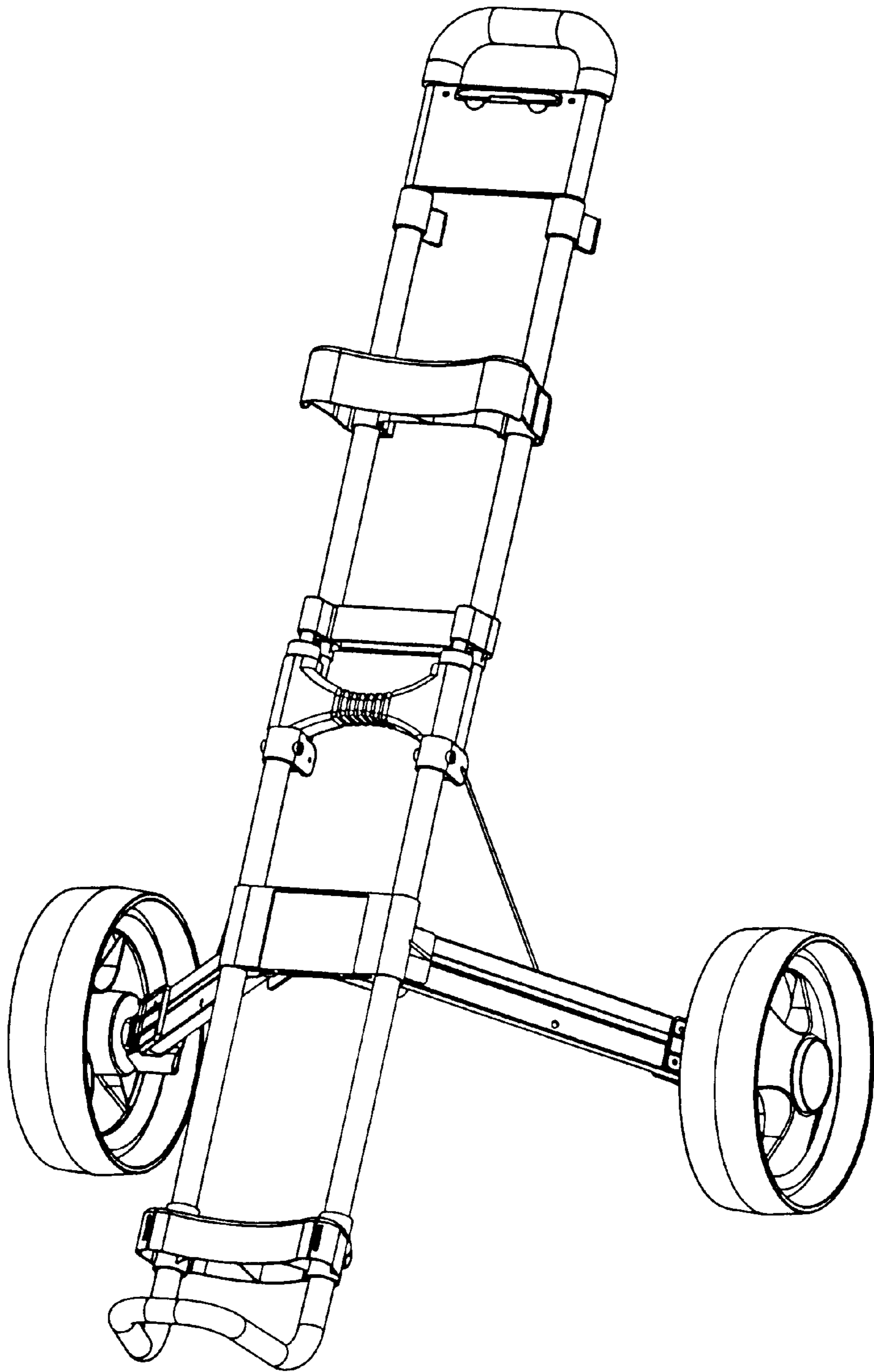


*FIG. 6*

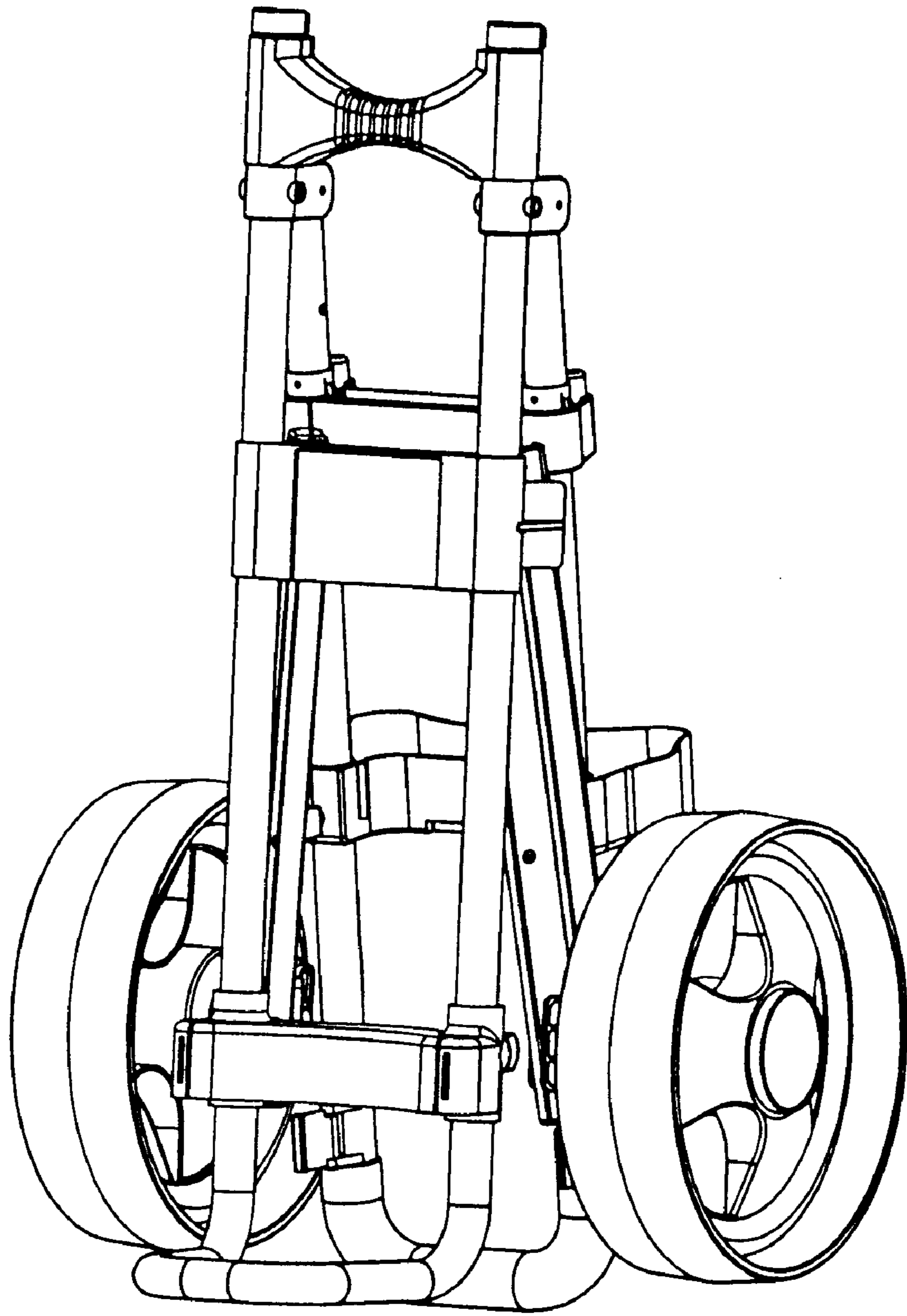


*FIG. 7*





*FIG. 8*



*FIG. 9*