



US00D423745S

United States Patent [19]

[11] **Patent Number: Des. 423,745**

Theis et al.

[45] **Date of Patent: ** Apr. 25, 2000**

[54] **SLIM LINE ARM**

[57] **CLAIM**

[75] Inventors: **John W. Theis**, Cottage Grove; **Harry C. Sween**, Minneapolis; **Donald M. Voeller**, Eagan; **Dennis M. Scheller**, Burnsville, all of Minn.

The ornamental design for a slim line arm, as shown and described.

[73] Assignee: **Ergotron, Inc.**, St. Paul, Minn.

DESCRIPTION

[**] Term: **14 Years**

FIG. 1 illustrates a front view of a slim line arm showing our new design;

[21] Appl. No.: **29/097,295**

FIG. 2 illustrates a back view thereof;

[22] Filed: **Dec. 3, 1998**

FIG. 3 illustrates a left side view thereof;

[51] **LOC (6) Cl.** **07-05**

[52] **U.S. Cl.** **D32/60**

[58] **Field of Search** D32/60; 211/119.01, 211/119.02, 119.1; 254/388; 248/353

FIG. 4 illustrates a right side view thereof;

FIG. 5 illustrates a top view thereof;

FIG. 6 illustrates a bottom view thereof;

FIG. 7 illustrates a top, left perspective view thereof;

FIG. 8 illustrates a front view of another embodiment of a slim line arm;

FIG. 9 illustrates a back view thereof;

FIG. 10 illustrates a left side view thereof;

FIG. 11 illustrates a right side view thereof;

FIG. 12 illustrates a top view thereof;

FIG. 13 illustrates a bottom view thereof; and,

FIG. 14 illustrates a bottom, left perspective view thereof.

[56] **References Cited**

U.S. PATENT DOCUMENTS

D. 163,858	7/1951	Gaster	D32/60
D. 219,166	11/1970	Olsen	D32/60
D. 387,528	12/1997	Wong	D32/60

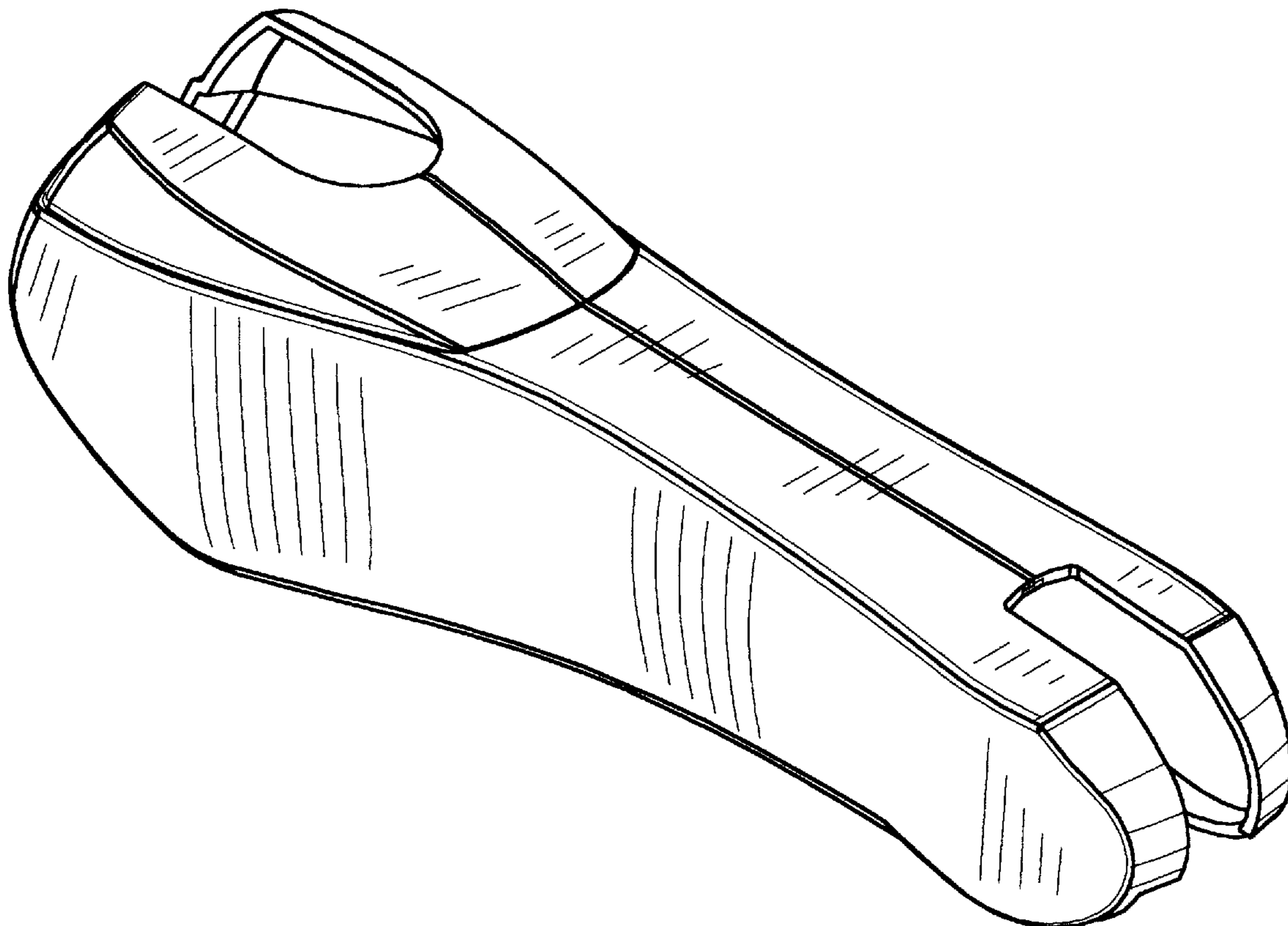
OTHER PUBLICATIONS

Fuller Brush catalog; item #R Clothesline; p. 21, 1988.

Primary Examiner—Robin V. Taylor

Attorney, Agent, or Firm—Hugh D. Jaeger

1 Claim, 14 Drawing Sheets



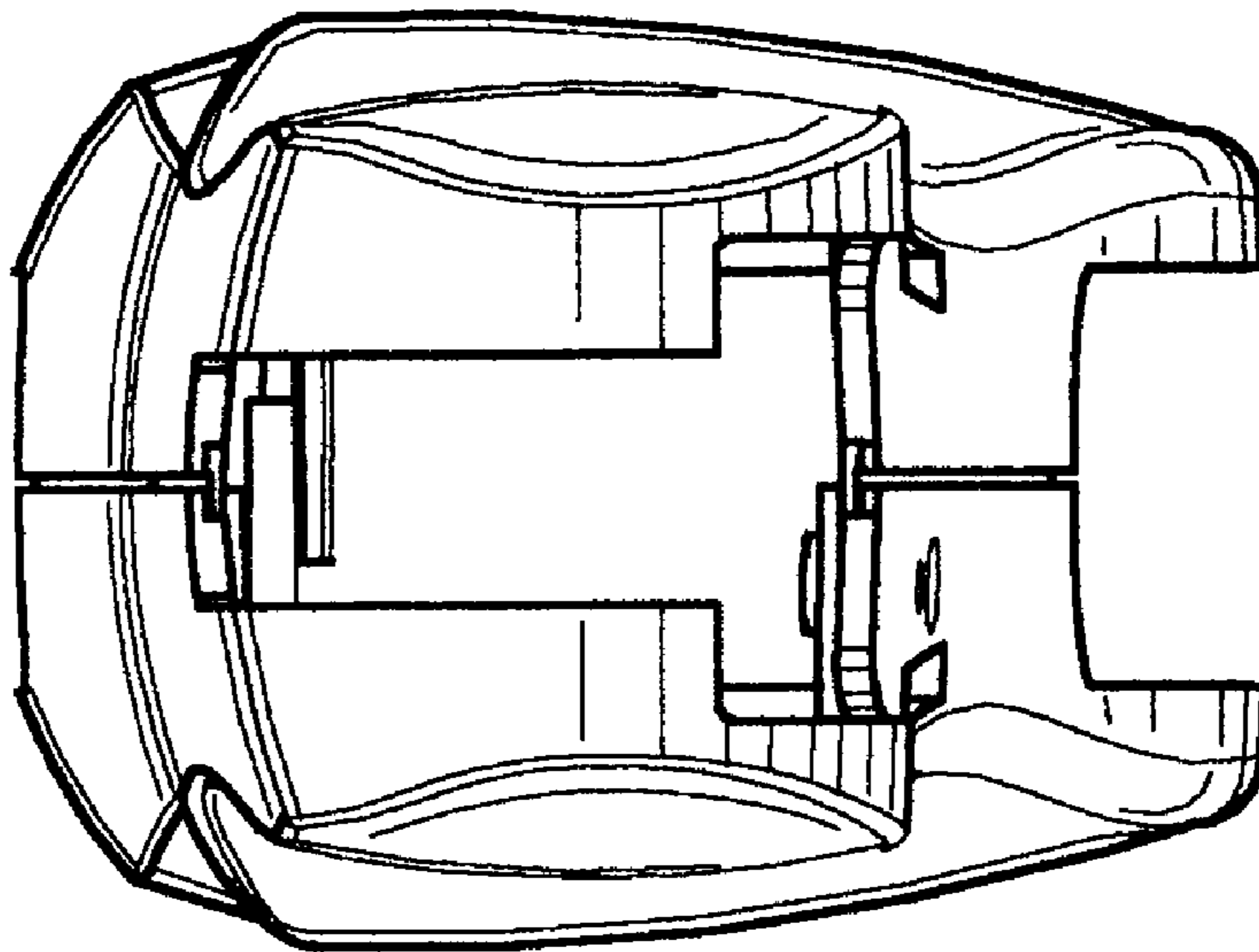


FIG. 1

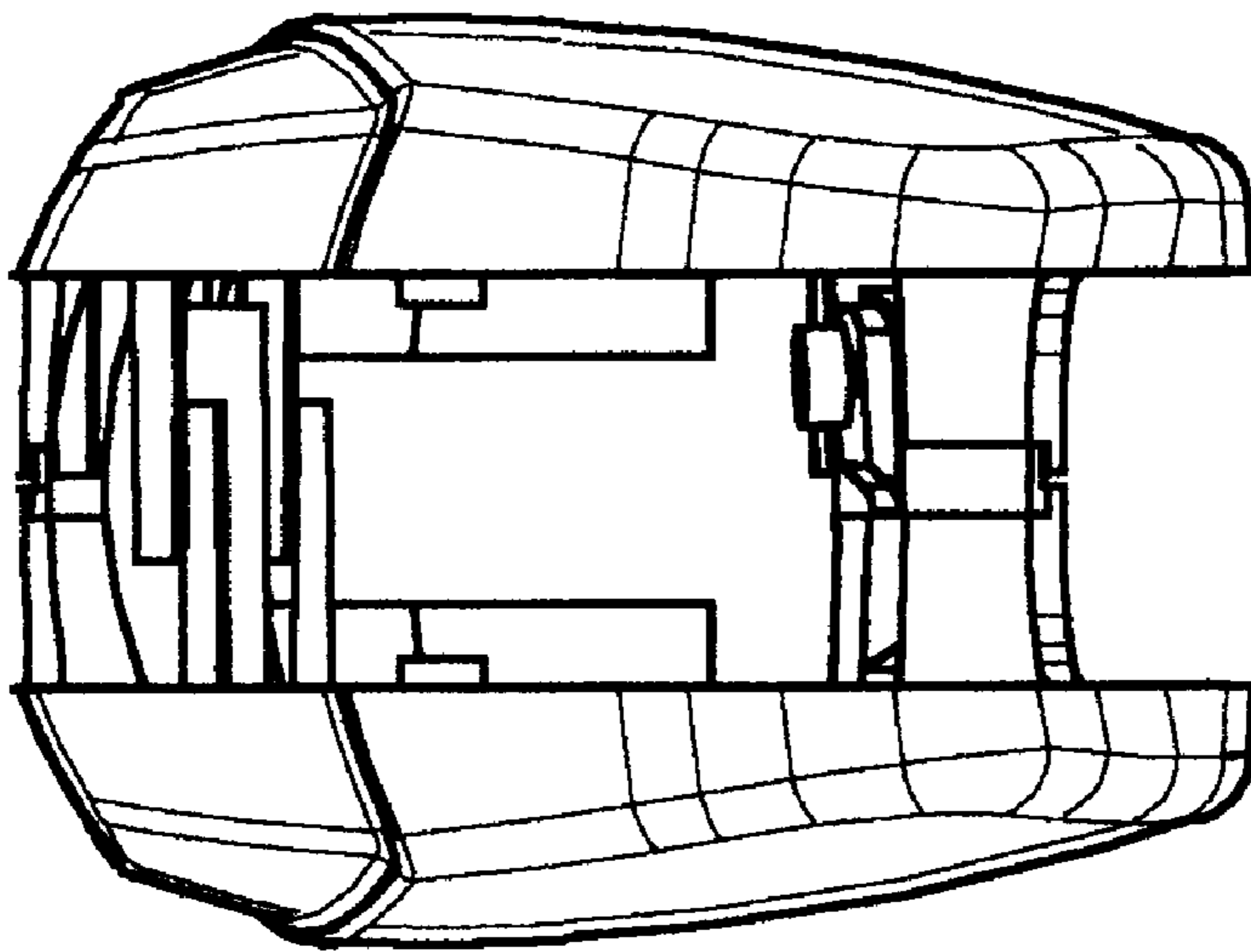


FIG. 2

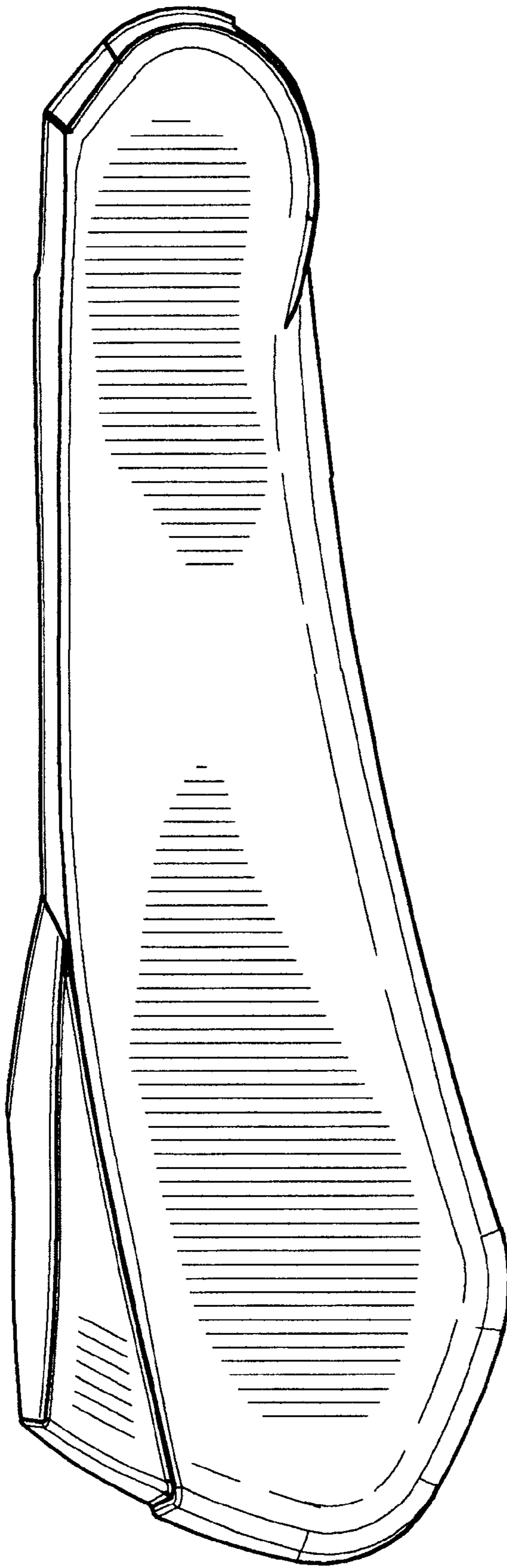


FIG. 3

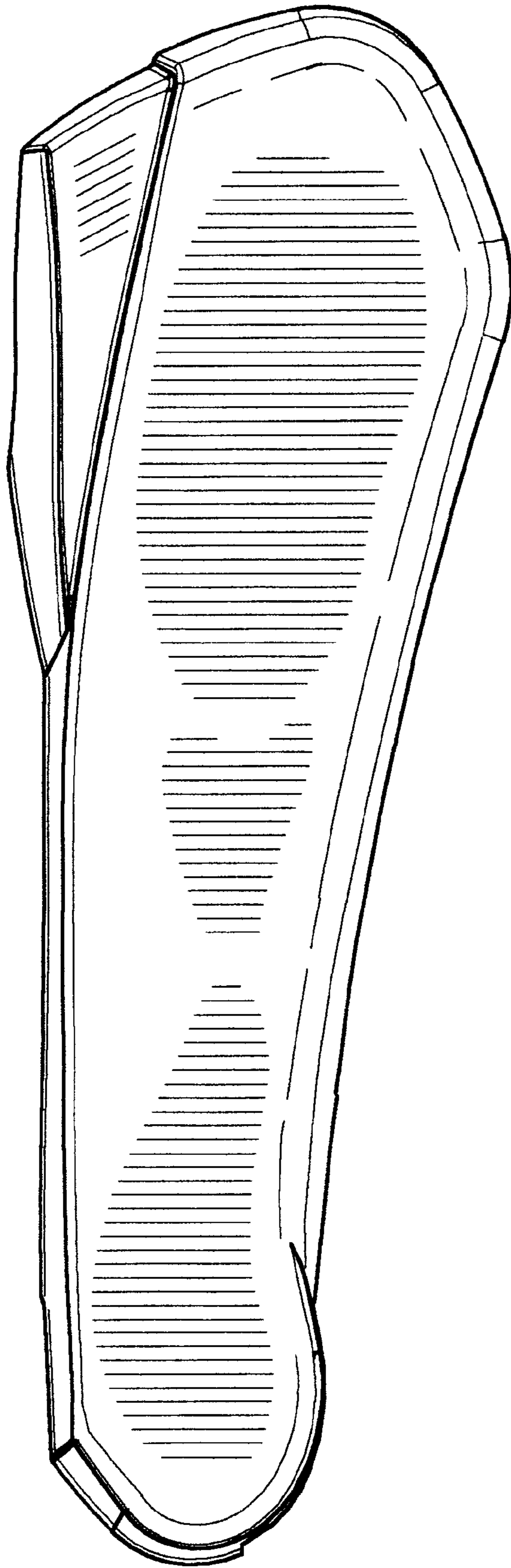


FIG. 4

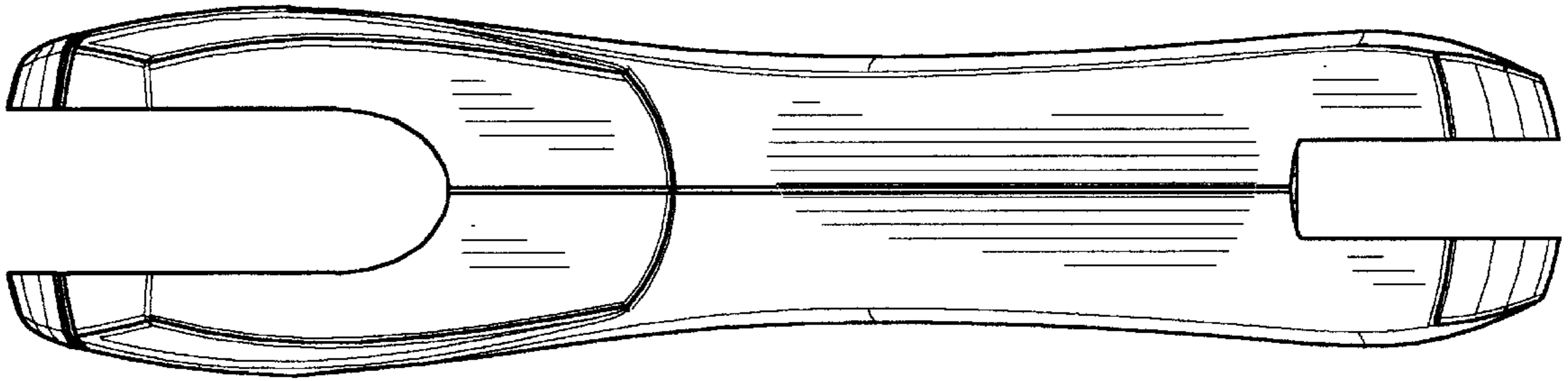


FIG. 5

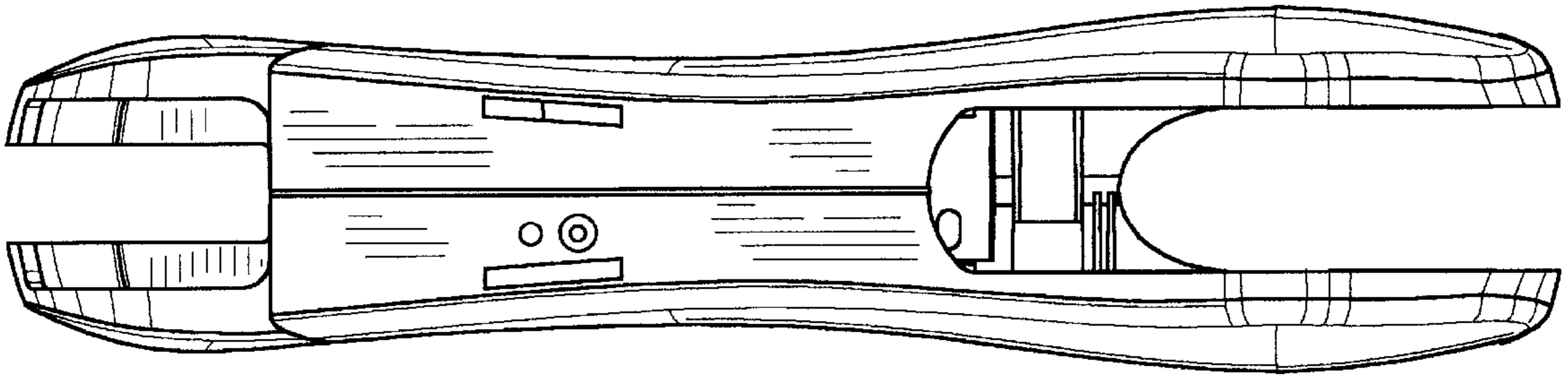


FIG. 6

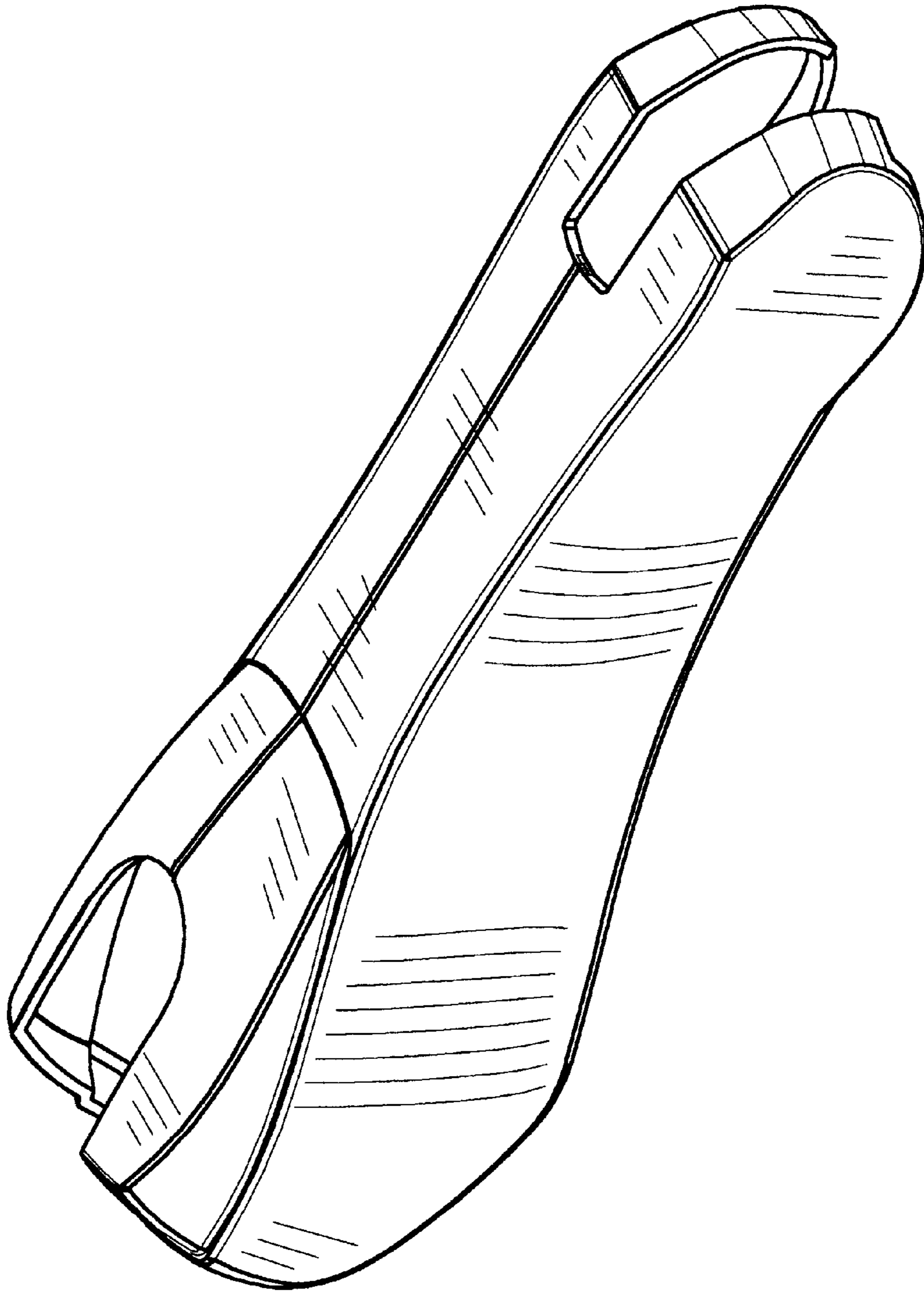


FIG. 7

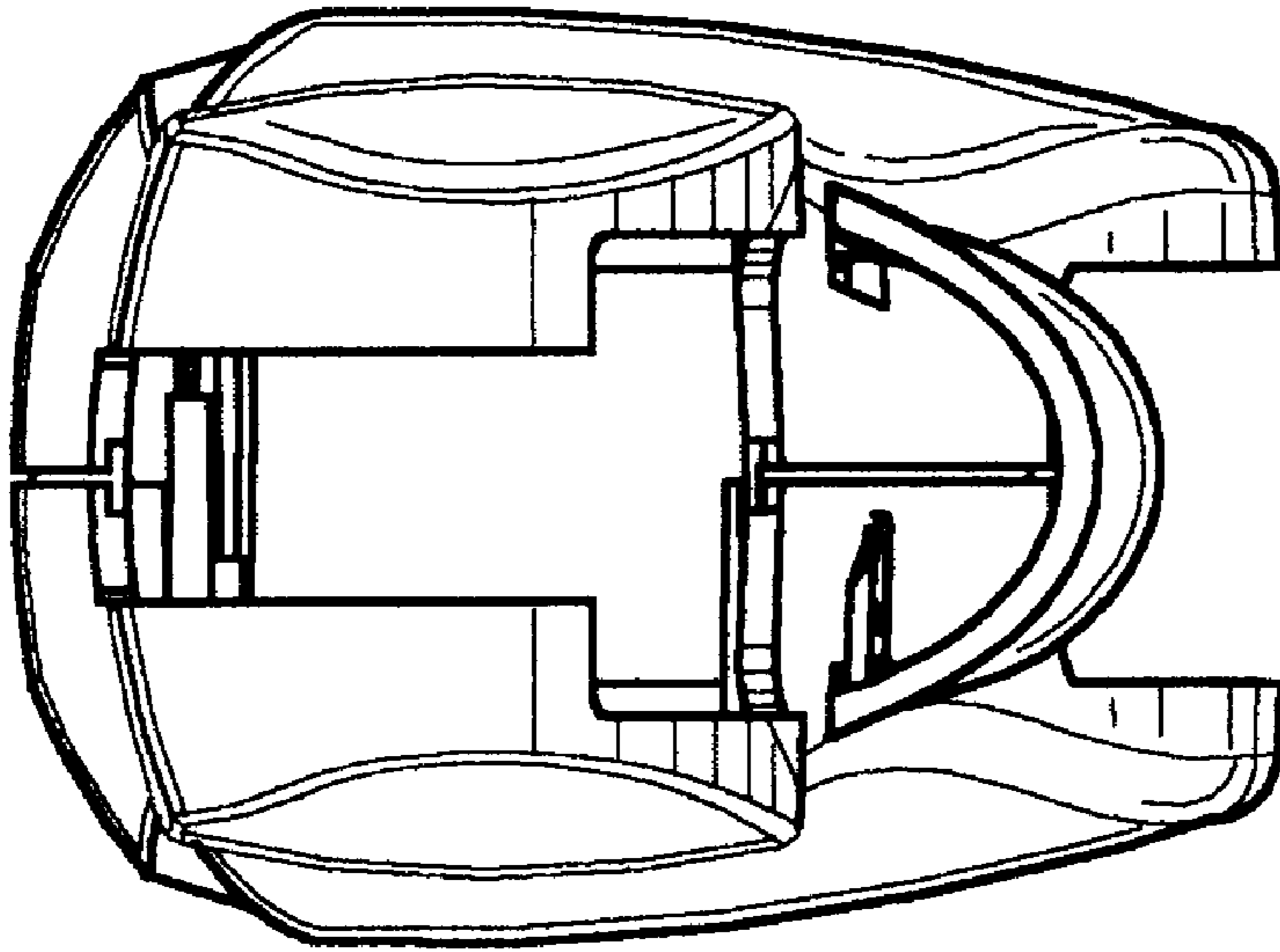


FIG. 8

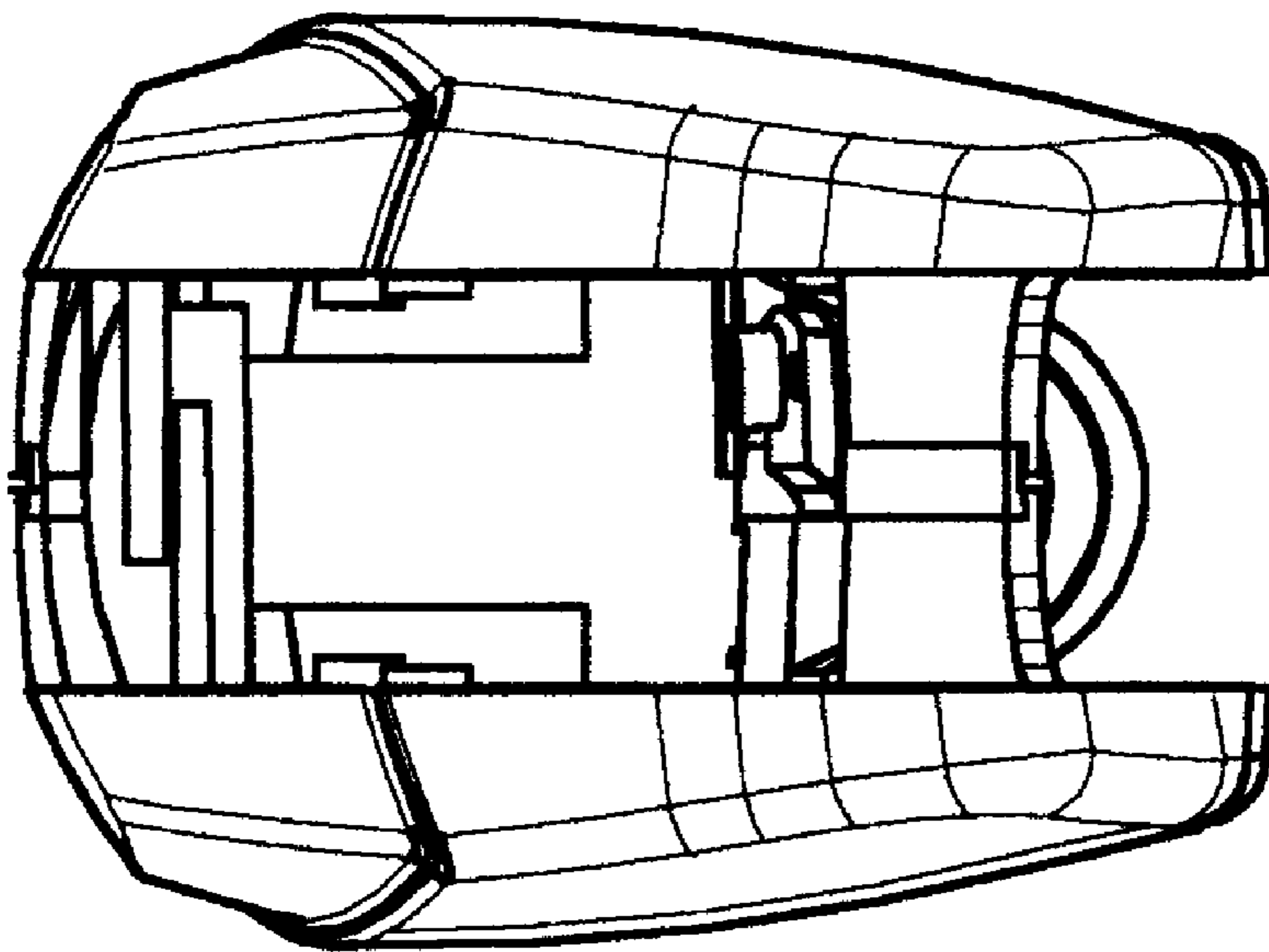


FIG. 9

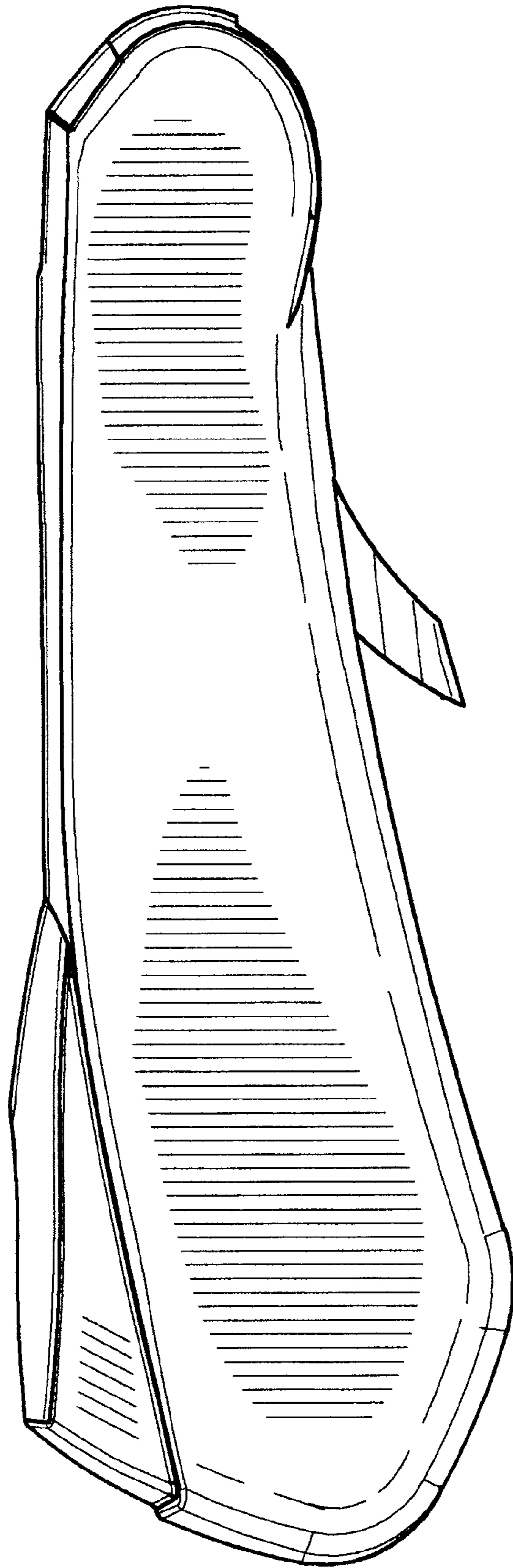


FIG. 10

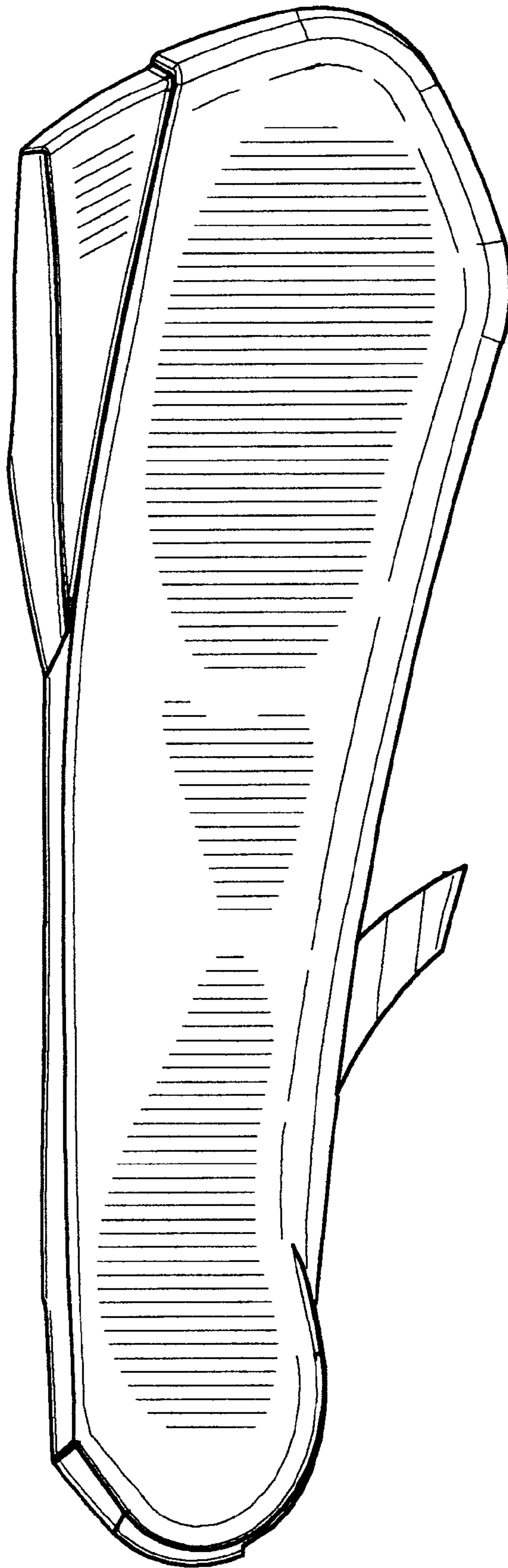


FIG. 11

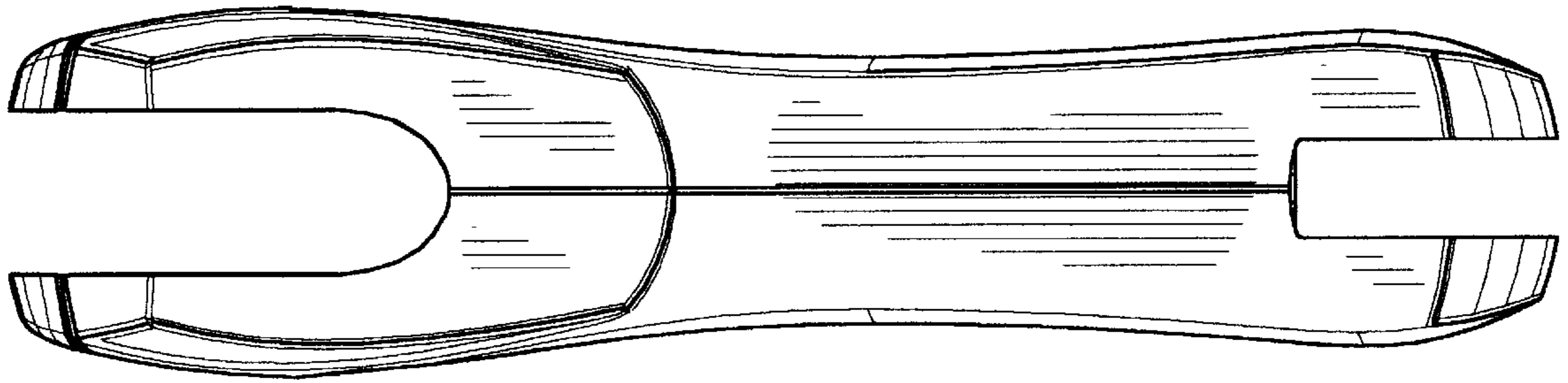


FIG. 12

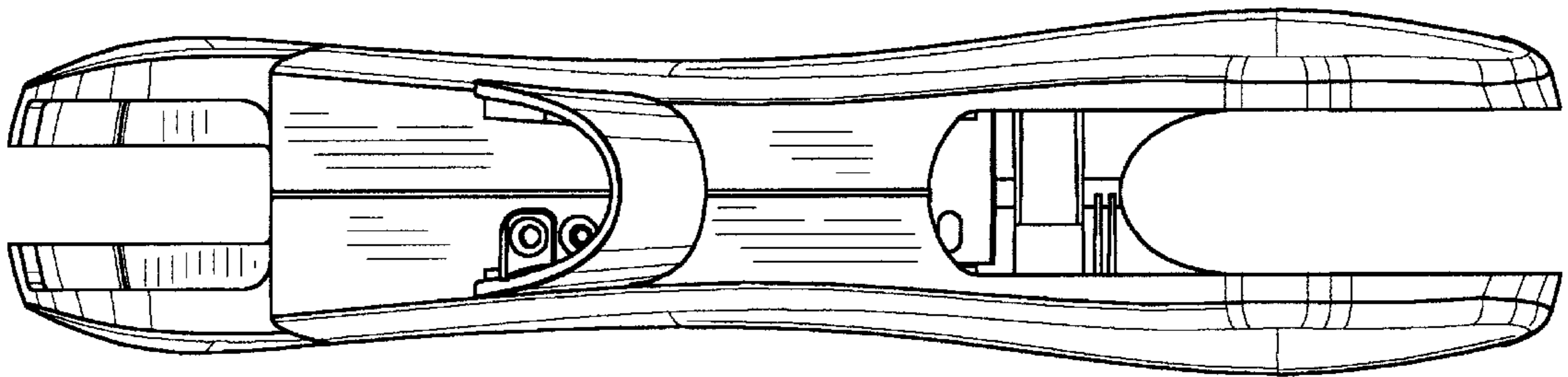


FIG. 13

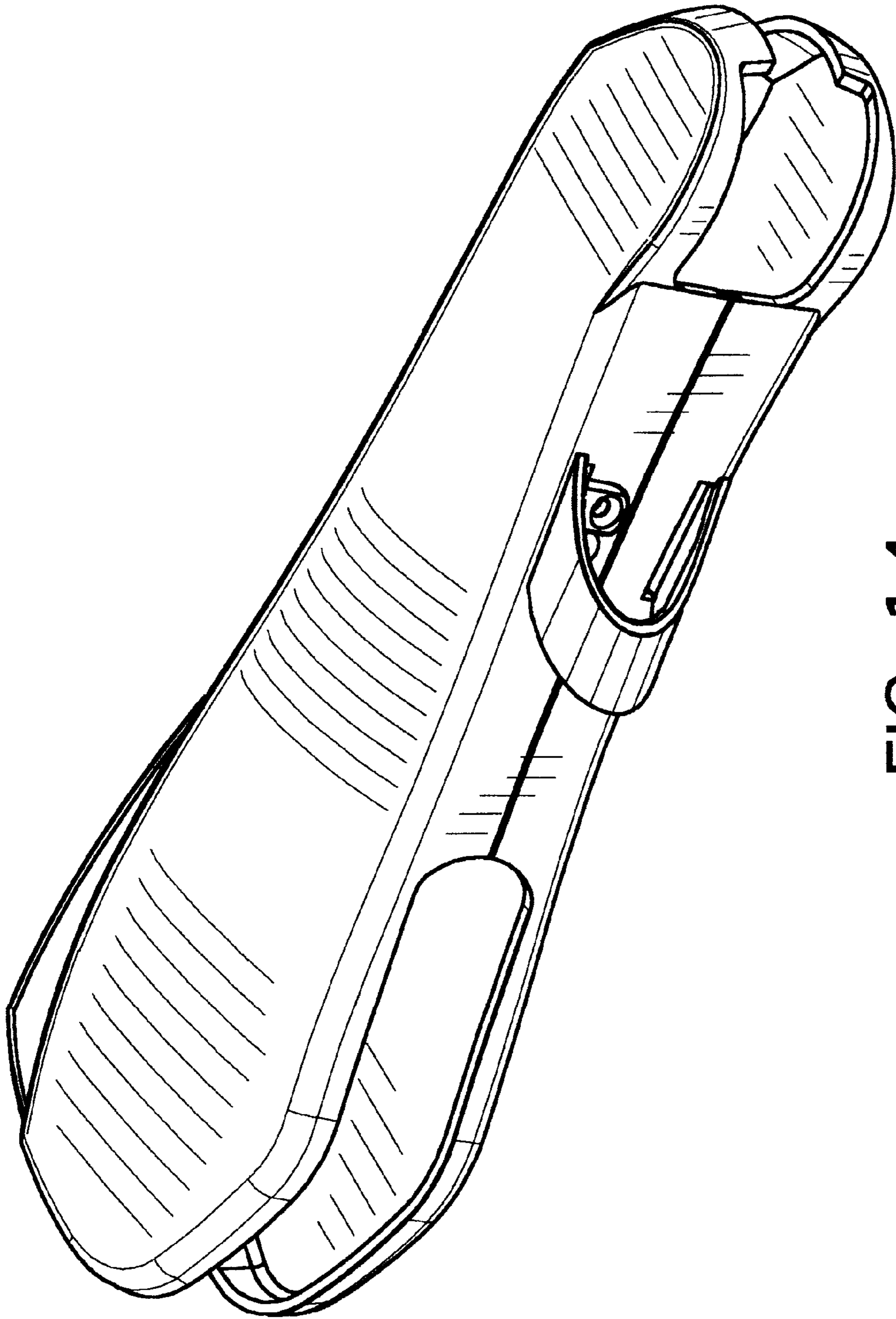


FIG. 14